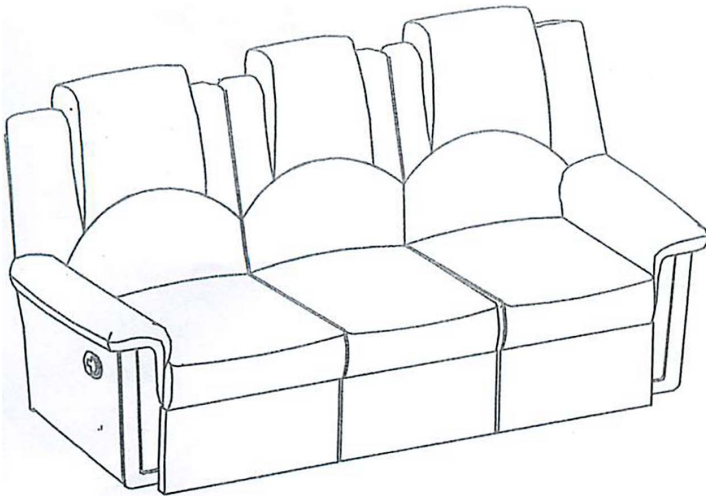
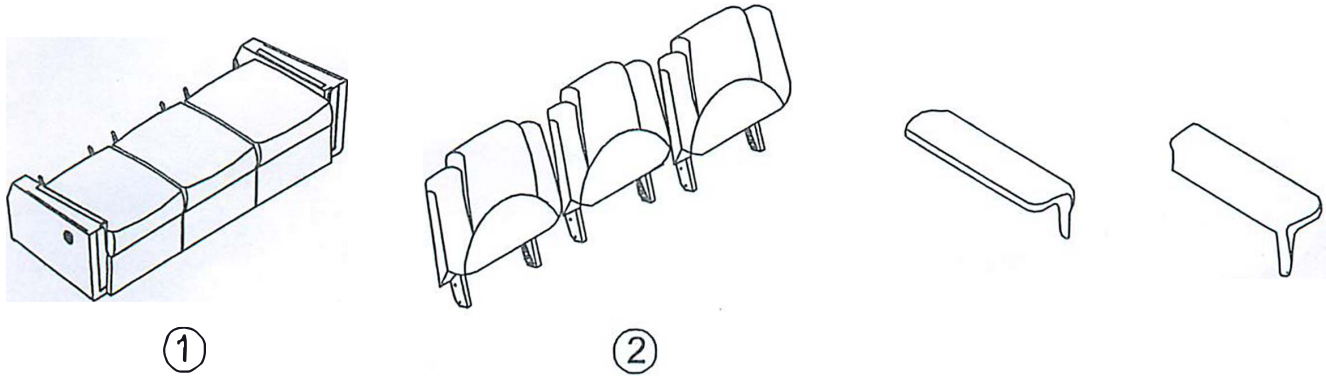


ASSEMBLY INSTRUCTION

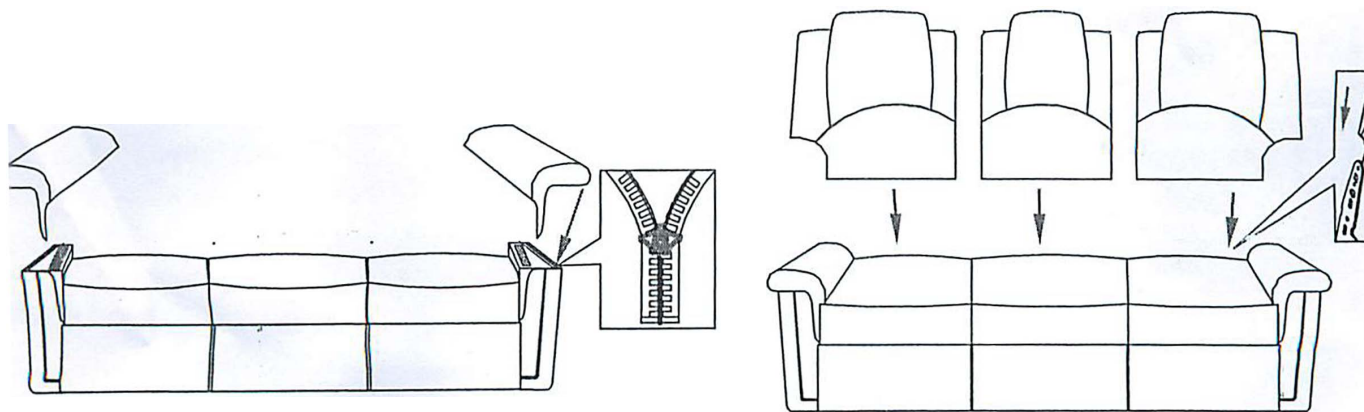


PART LIST:



STEP:

1. PUT THE ARMS IN THE CORRESPONDING POSINON
2. MATCH BOTH SIDE HOOK LOOP BRACKET AND PUSH DOWN BRACKET TO ASSEMBLY



CARE & MAINTENANCE

1. NO POWER TOOLS SHALL BE USED FOR ASSEMBLY OF THE CHAIR
2. PERIODICALLY CHECK AND ENSURE BACKREST FIRMLY IN PLACE