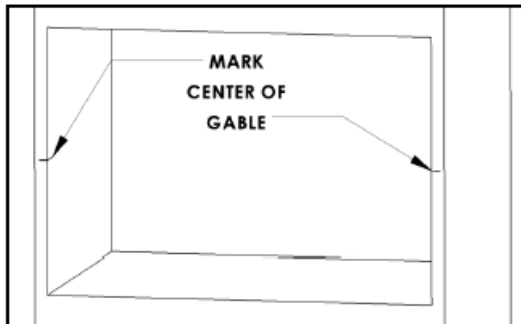
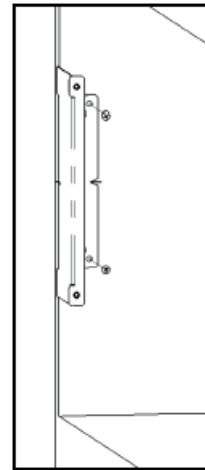


STEP 1: Installing the Mounting Brackets

- 1a. Mark the center of the gable.



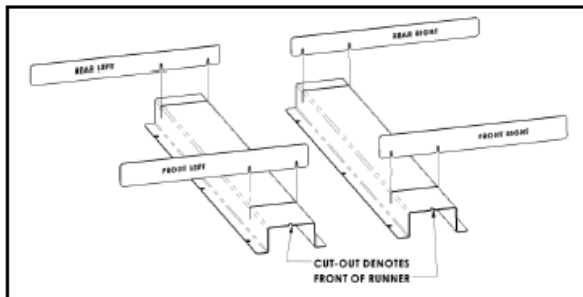
- 1b. Align the **Mounting Brackets** with the mark keeping it flush against the gable.



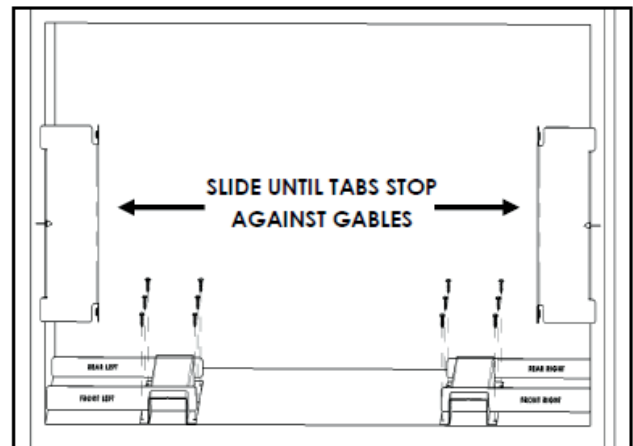
- 1c. Secure each mount to the gables using **two** of the provided #6 wood screws.

STEP 2: Installing the Runners

- 2a. Insert the **Alignment Tabs** into the **Runners** as shown below.



- 2b. Place **Runners** on shelf and slide them so that the **tabs** stop against the gables.

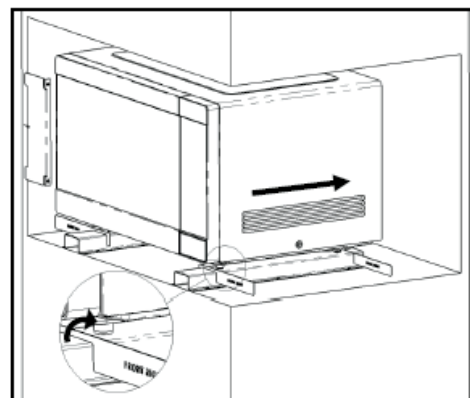


- 2c. Secure the **Runners** down with the provided #6 wood screws.

STEP 3: Installing the Microwave

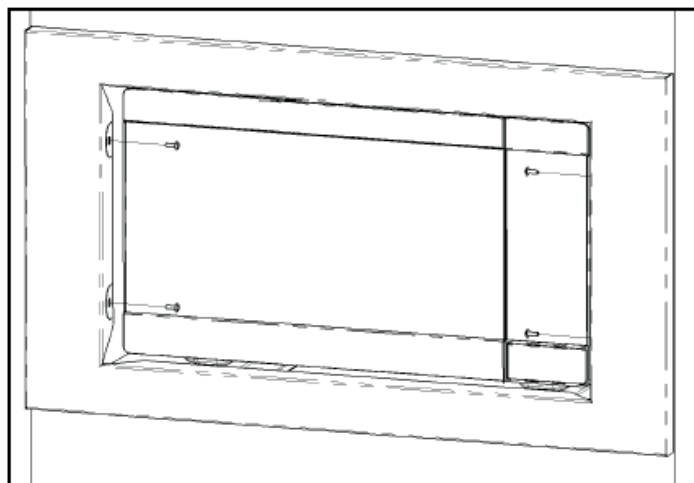
- 3a. Place the **Microwave** on the **Runners**.
- 3b. Lift and slide the microwave so that the front feet sit behind the lip of the front **Alignment Tabs**.

This step ensures you have clearance to install the **Frame** mounting screws.



STEP 4: Installing the Frame

- 4a. Peel the protective film off of the **Frame**.
- 4b. Place the **Frame** onto the cabinet face and secure onto the **Mounting Brackets** using the provided **8-32 screws**.



STEP 5: Finalizing the Installation

- 5a. Open the **Microwave Door** and lift the **Microwave** up and towards you until the front legs clear the lip of the front **Alignment Tabs**.
- 5b. Push the **Microwave** back until the front legs make contact with the lip of the front **Alignment Tabs**. The **Microwave** face will now be flush with the **Frame**.
- 5c. Adjust the **Microwave** horizontally as needed to center it in the **Frame** opening.
- 5d. Your installation is complete - Stand back and admire a job well done.

