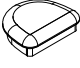
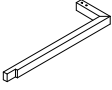
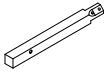
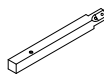
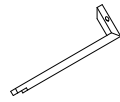
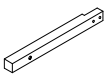
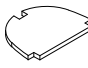









# ASSEMBLY INSTRUCTION

## CONSOLE TABLE AND STOOL

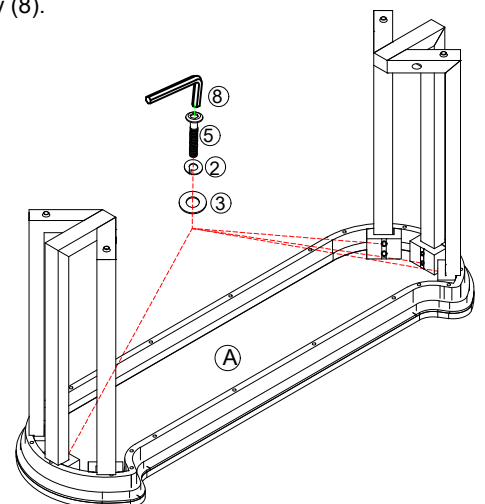
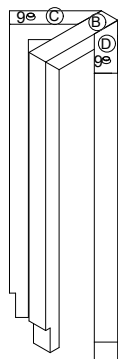
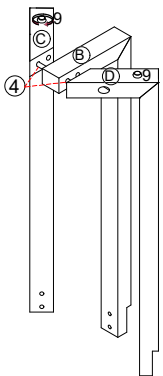
Thank you for purchasing this quality product. Be sure to check all packing material carefully for small parts which may have come loose inside the carton during shipment. Separate, identify and count all parts and metal hardware. Compare with parts list to be sure all parts are present. If any part(s) are missing or damaged, please contact your local furniture dealer. For efficient and speedy service, please indicate the model number and code letter of part(s) needed.

\*\*\* Do not fully tighten screws until fully assembled \*\*\*

No.	COMPONENT LIST	Q'ty	No.	COMPONENT LIST	Q'ty
<b>A</b>	 TABLE TOP	1pc	<b>E</b>	 FRAME CUSHION STOOL	3pc
<b>B</b>	 MIDDLE LEG	2pcs	<b>FR</b>	 RIGHT LEG STOOL	3pc
<b>C</b>	 RIGHT SIDE LEG	2pc	<b>FL</b>	 LEFT LEG STOOL	3pc
<b>D</b>	 LEFT SIDE LEG	2pc	<b>F</b>	 BACK LEG STOOL	3pc
			<b>G</b>	 SHELVES STOOL	3pc
No.	HARDWARE LIST	Q'ty	No.	HARDWARE LIST	Q'ty
1	 Bolts 1/4x2"	4pcs	5	 Bolts 1/4x1.4"	30pcs
2	 Lock Washer 1/4	34pcs	6	 Bolts 1/4x0.6"	18pcs
3	 Flat Washer 1/4	34pcs	7	 BRACKET	9pcs
4	 Wood Dowel $\varnothing 0.4 \times 1.2$ "	4pcs	8	 Allen key K4	1pc
			9	 LEVELER	4pcs

**Step 1:** Assembly part (C),(D) to (B). Use Wood dowel (4) Positioning. Then use Bolts (1), Lock washers (2), Flat washers (3). Rotate leveler (9) clockwise.

**Step 2:** Align and place assembly frame leg to (A). Use Bolts (5), Lock washers (2), Flat washers (3). Fully tighten all Bolts places with Allen key (8).



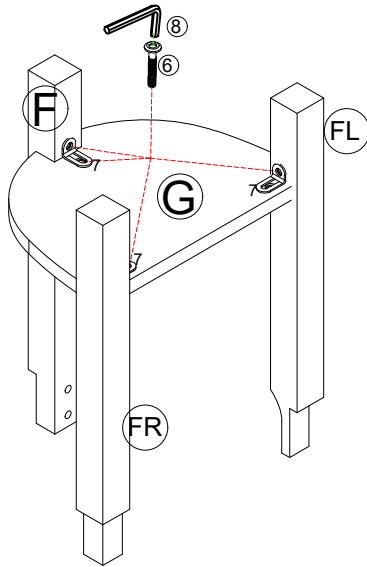
# ASSEMBLY INSTRUCTION

## CONSOLE TABLE AND STOOL

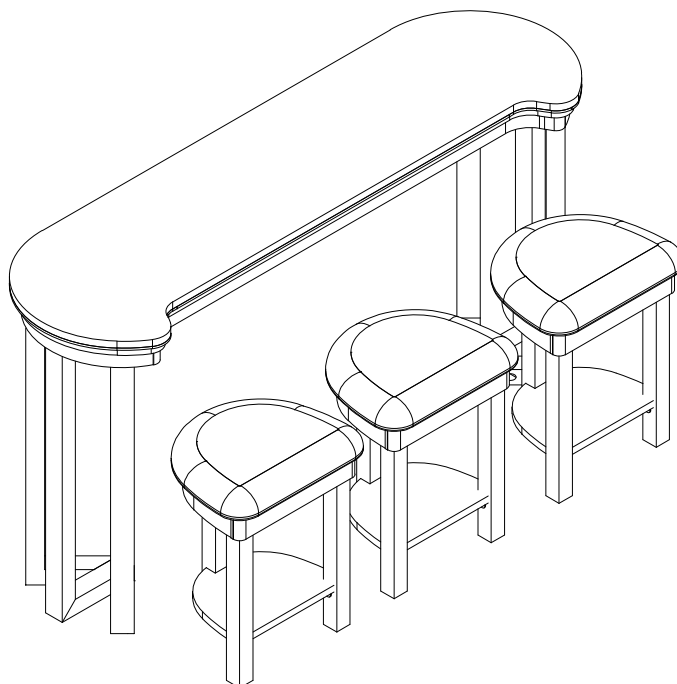
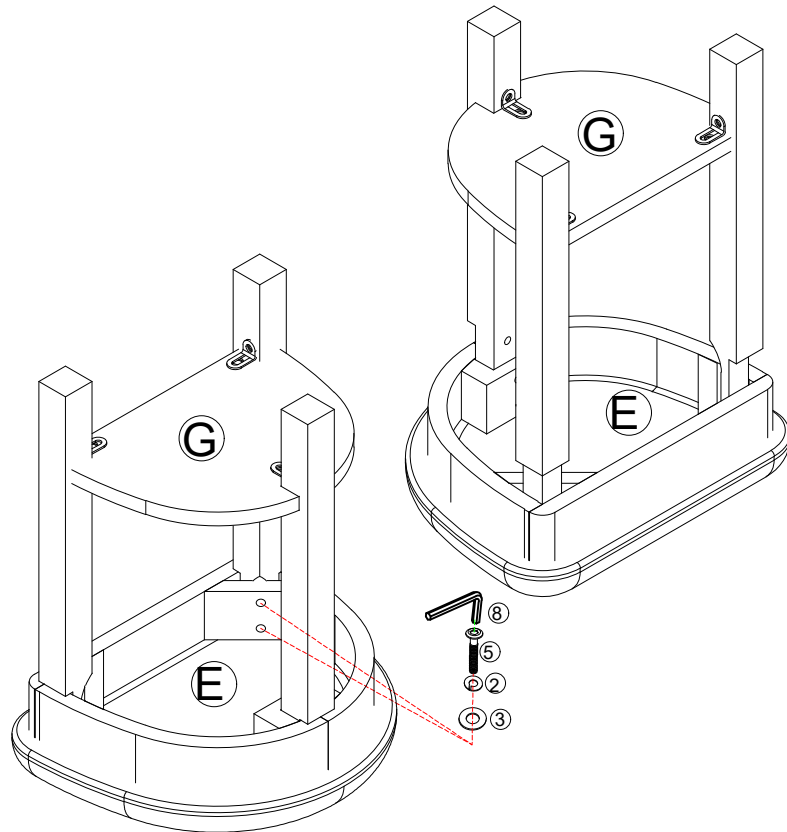
Thank you for purchasing this quality product. Be sure to check all packing material carefully for small parts which may have come loose inside the carton during shipment. Separate, identify and count all parts and metal hardware. Compare with parts list to be sure all parts are present. If any part(s) are missing or damaged, please contact your local furniture dealer. For efficient and speedy service, please indicate the model number and code letter of part(s) needed.

\*\*\* Do not fully tighten screws until fully assembled \*\*\*

Step 4: Assembly bracket(7) with Bolts (6)..



Step 5: Align and place assembly frame leg to (A). Use Bolts (5), Lock washers (2), Flat washers (3). Fully tighten all Bolts places with Allen key (8).



FINISH .  
THANK YOU !