

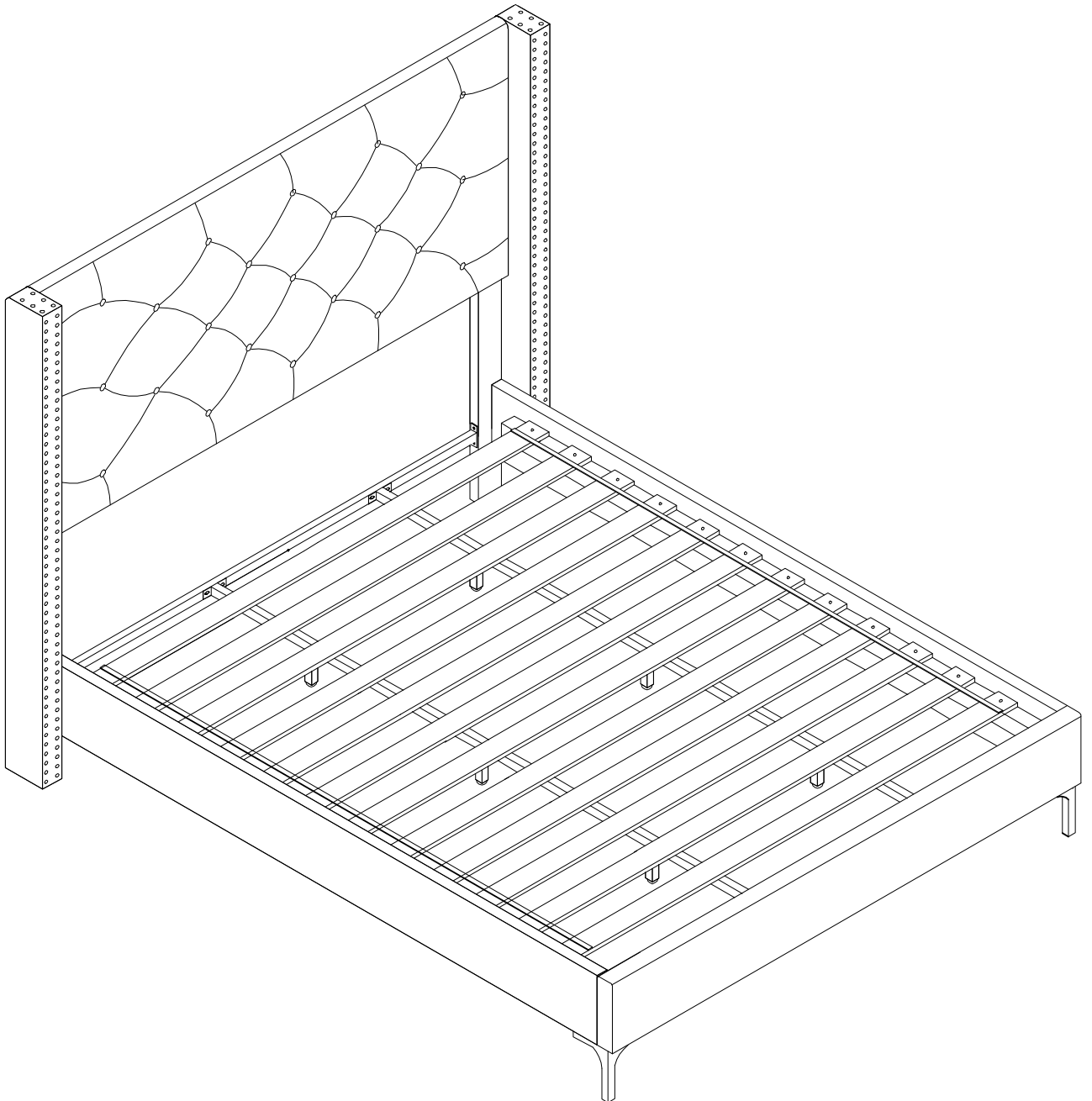
# ASSEMBLY INSTRUCTION

---

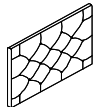













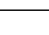


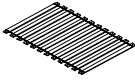
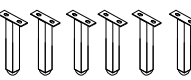
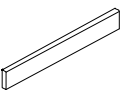
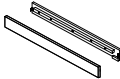
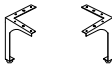
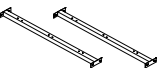

**IMPORTANT: PLACE ALL PARTS ON A CLEAN AND SMOOTH SURFACE SUCH AS A RUG OR CARPET TO AVOID THE PARTS FROM BEING SCRATCHED**

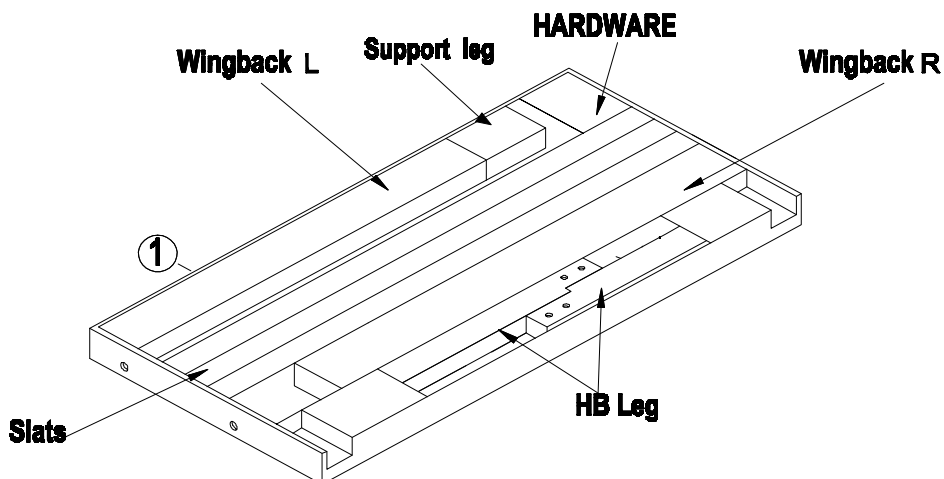
**KINDLY FOLLOW THE ASSEMBLY INSTRUCTIONS STEP**

**DO NOT TIGHTEN ALL SCREWS UNTIL THE BED IS FULLY SET-UP**

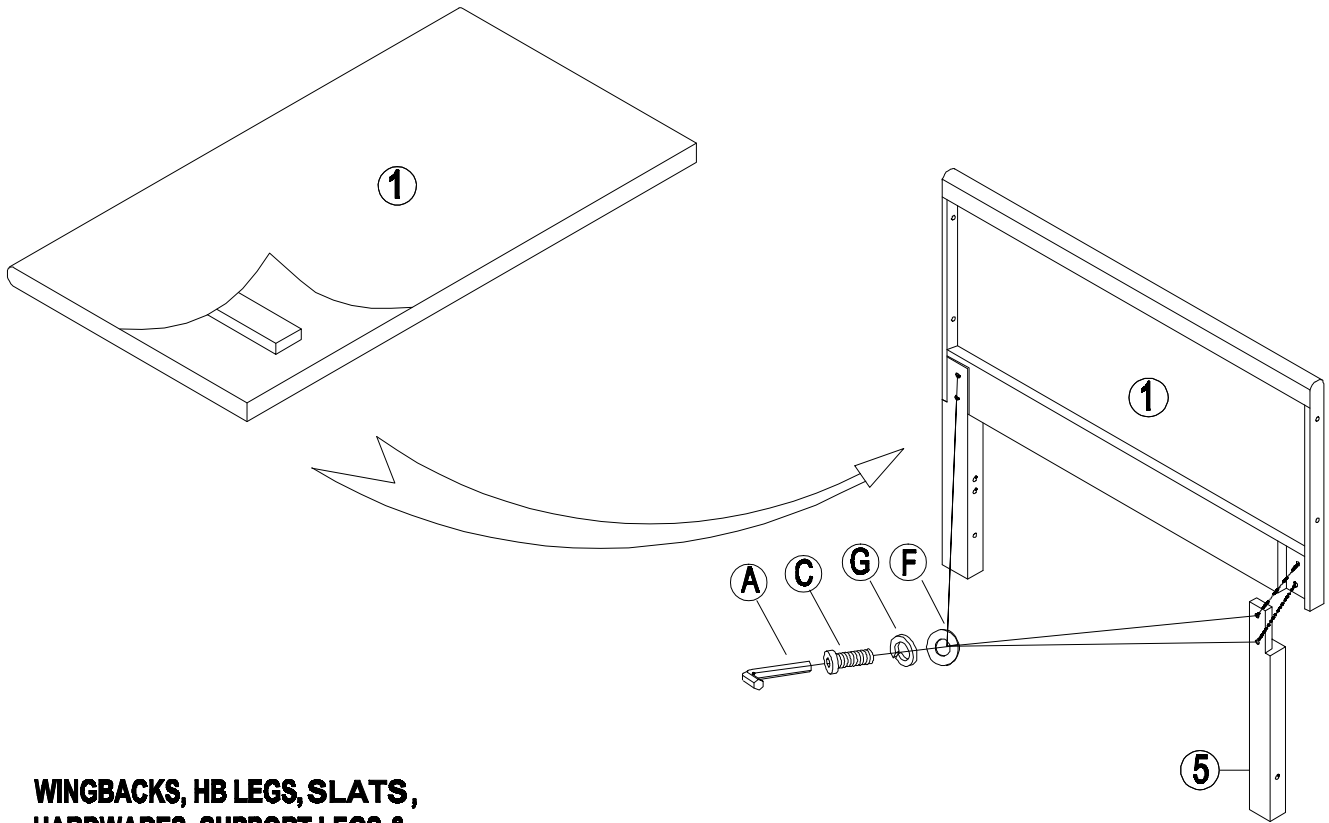


# Bed is packed in 2 carton

carton	Disignation	Part	Hardware
B1001-CK/EK-HB	1.Headboard		 #A x 1PC  #B x 16PCS  #C x 24PCS  #D x 2PCS  #E x 72PCS  #F x 10PCS  #G x 30PCS  #H x 24PCS  #I x 16PCS  #J x 1PC  #K x 2PCS  #L x 2PCS  #M x 1PC  #N x 8PCS
	4.Wingback (2pcs)		
	5.HB Leg (2pcs)		
	7.Slats (12pcs)		
	9.Support Leg (6pcs)		
B1001-CK/EK-FB/SR	2.Footboard		
	3.Side Rail (2pcs)		
	6.FB Feet (2pcs)		
	8.Support Rail (2pcs)		
	10.Crossband		

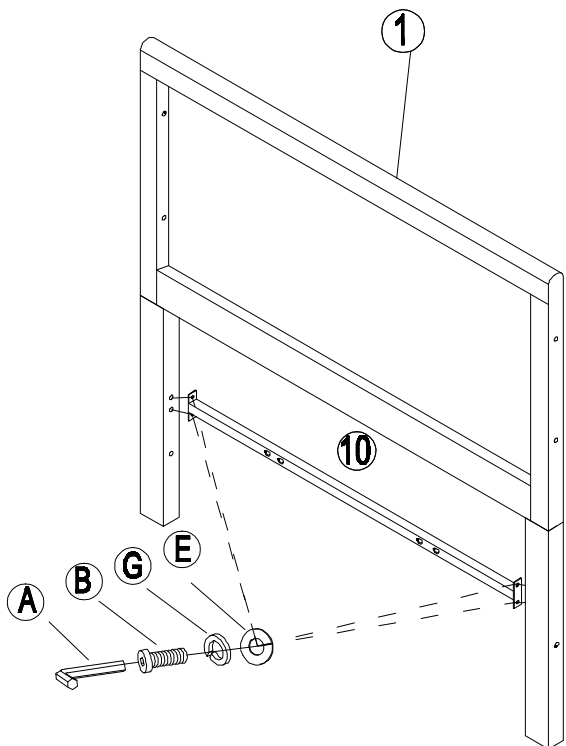


**STEP 1**

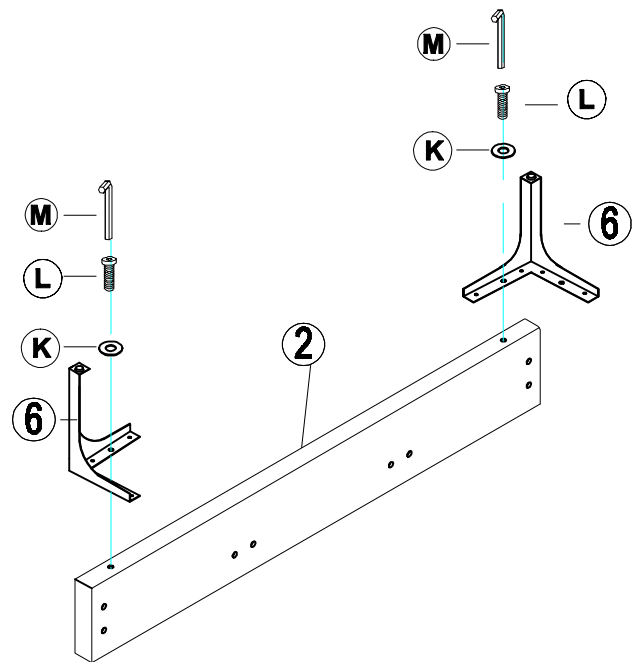


**WINGBACKS, HB LEGS, SLATS,  
HARDWARES, SUPPORT LEGS &  
ASSEMBLE INSTRUCTION HIDDEN INSIDE OF  
THE HEADBOARD, PLZ LIFT THE COVER .**

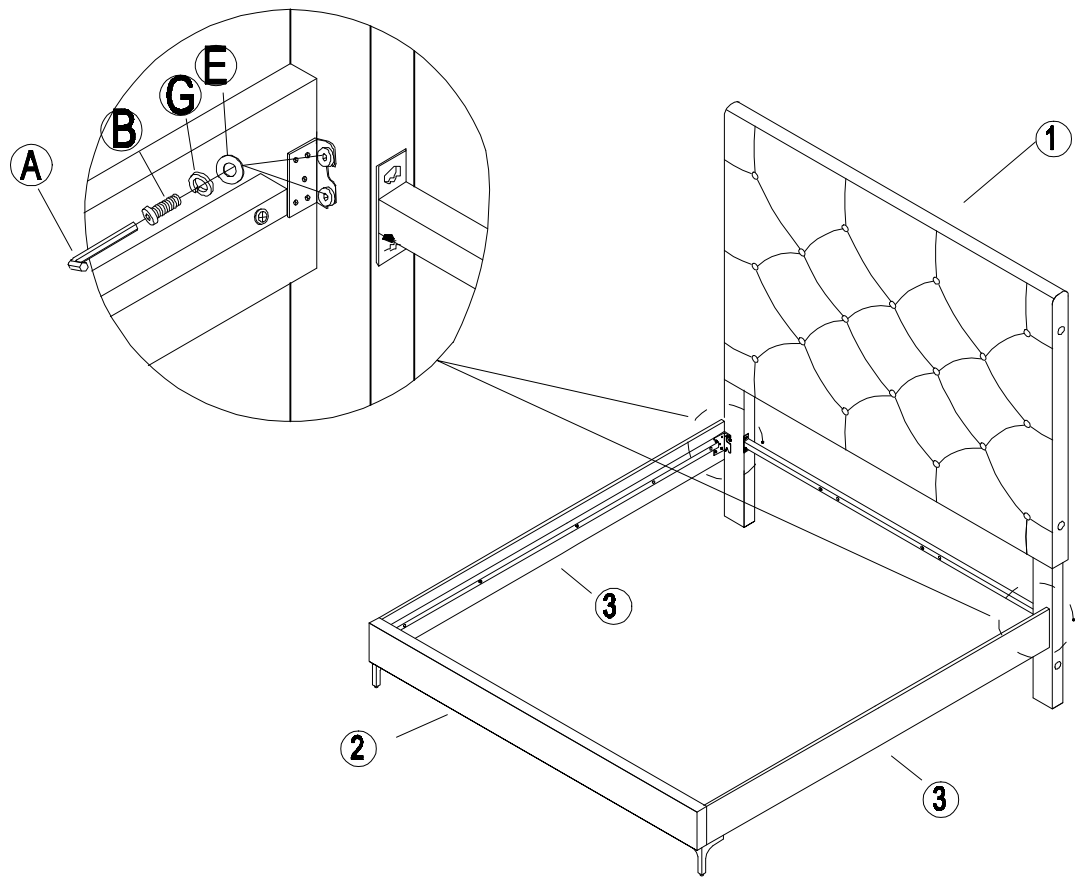
**STEP 2**



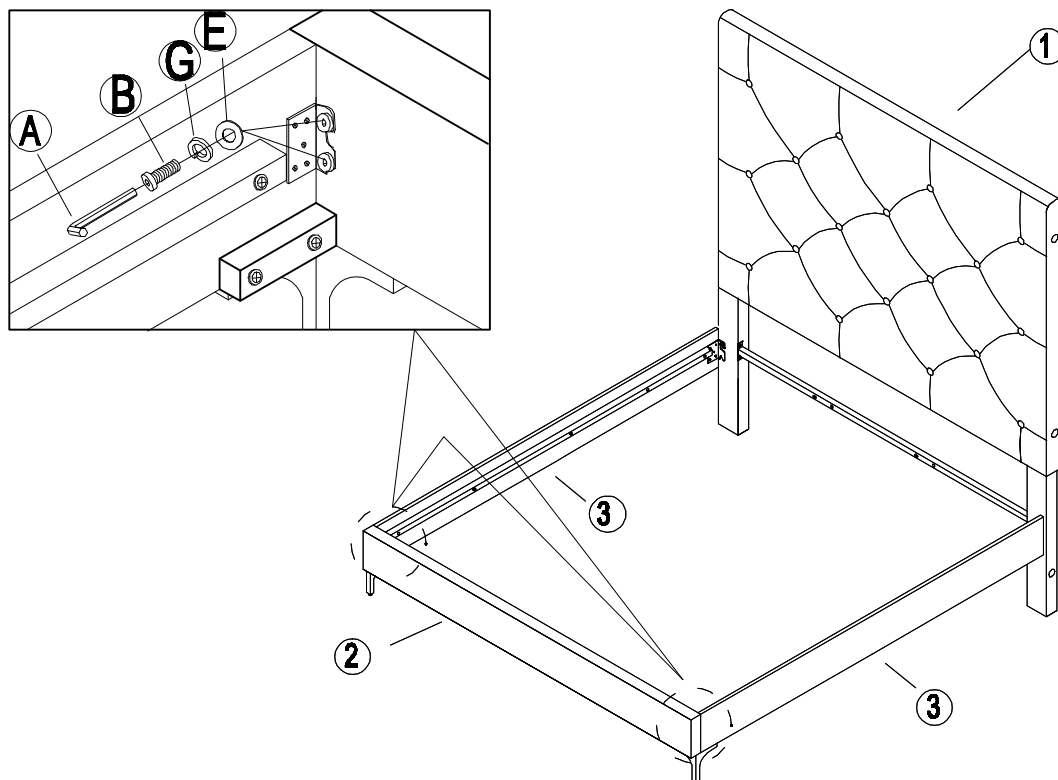
**STEP 3**



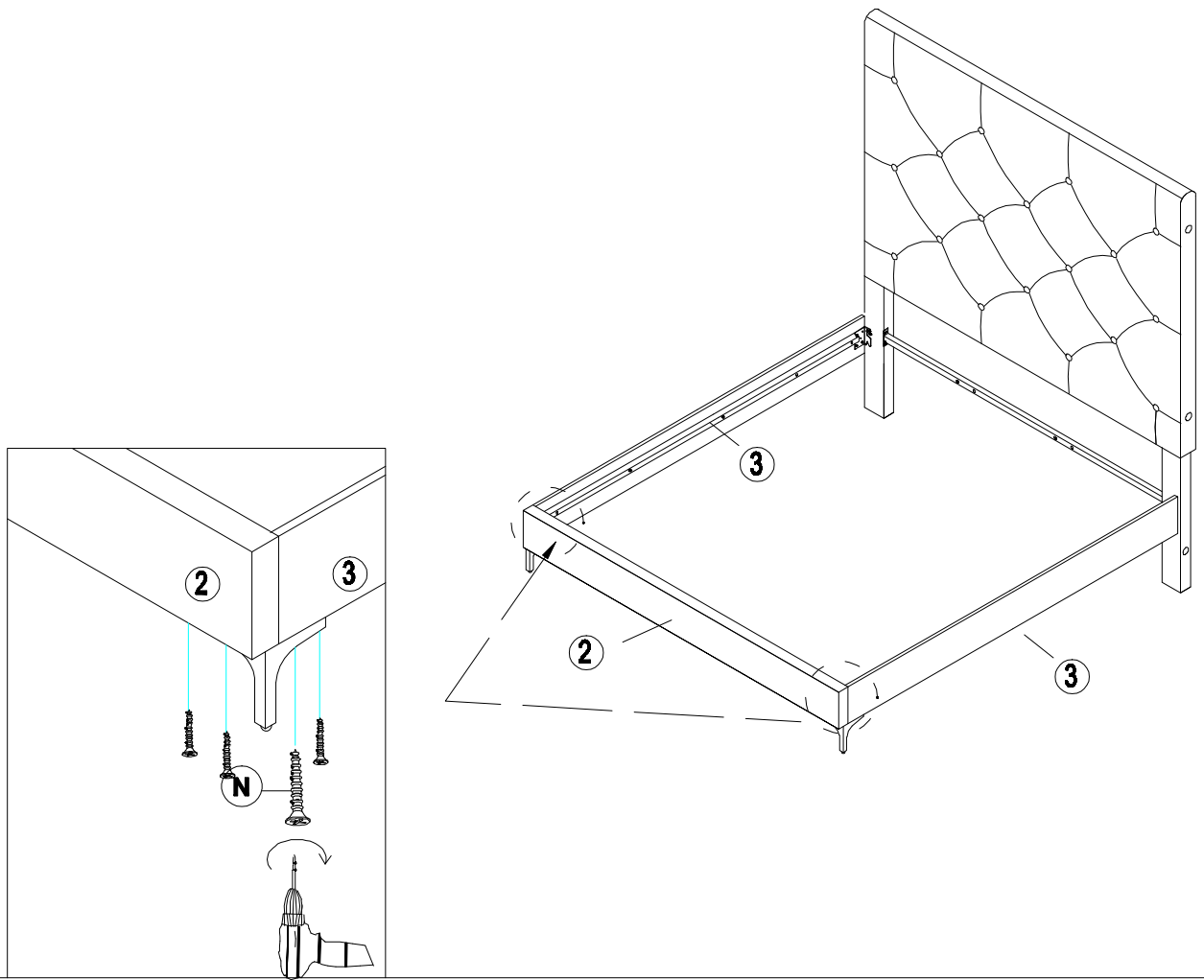
**STEP 4**



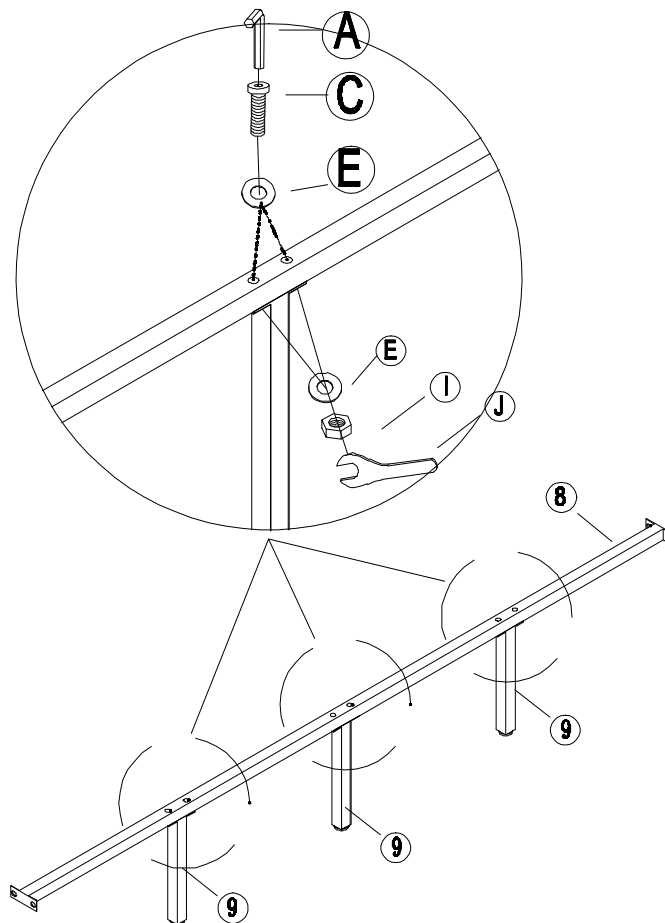
**STEP 5**



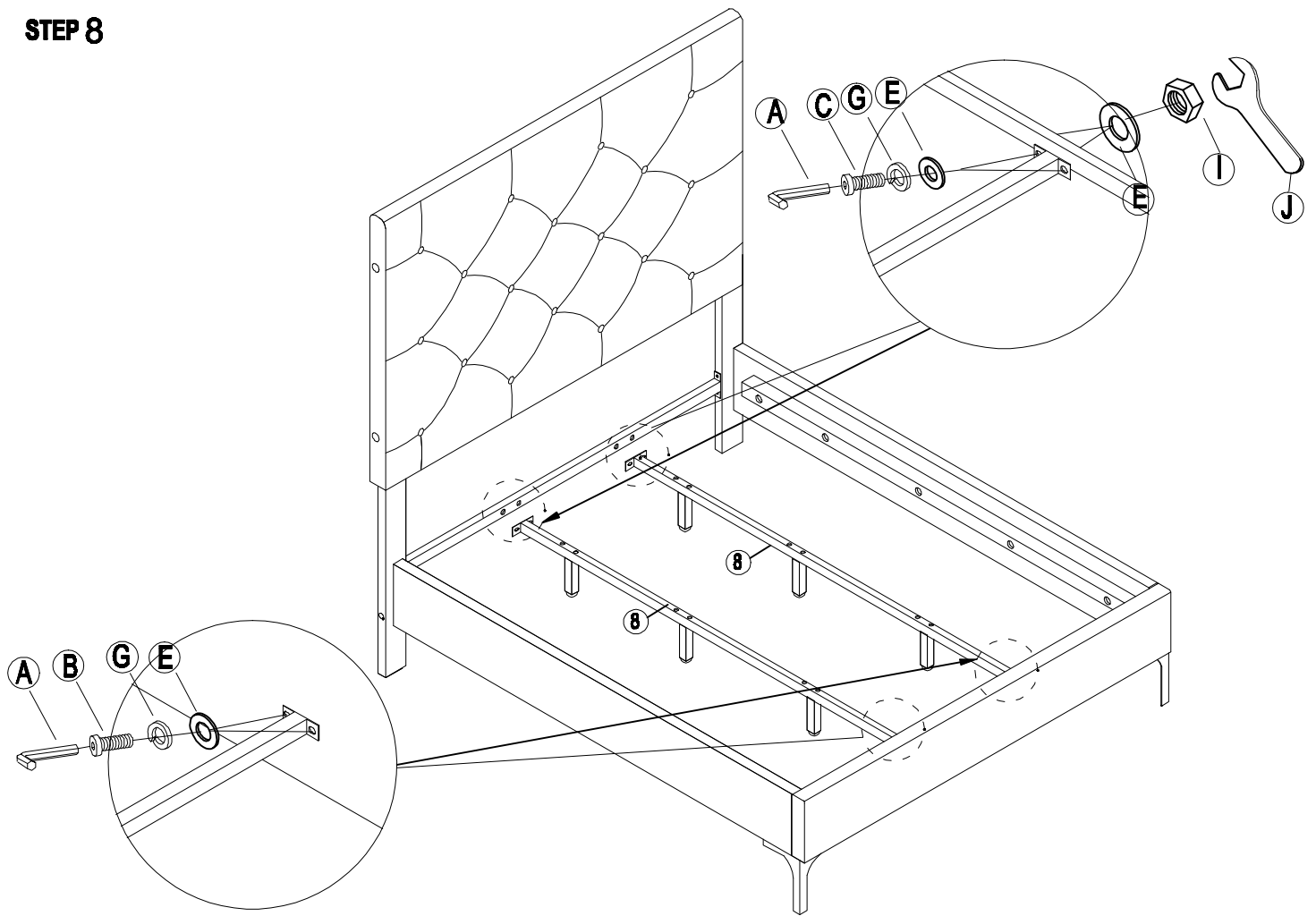
**STEP 6**



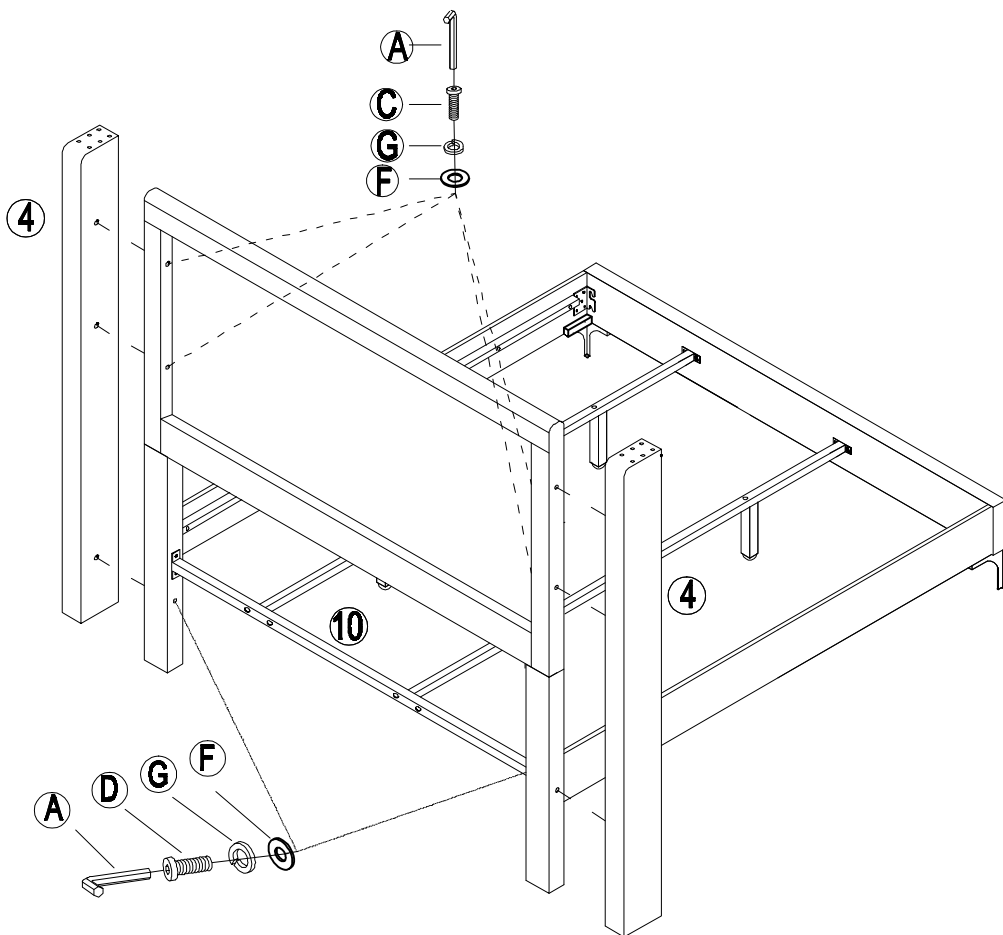
**STEP 7**



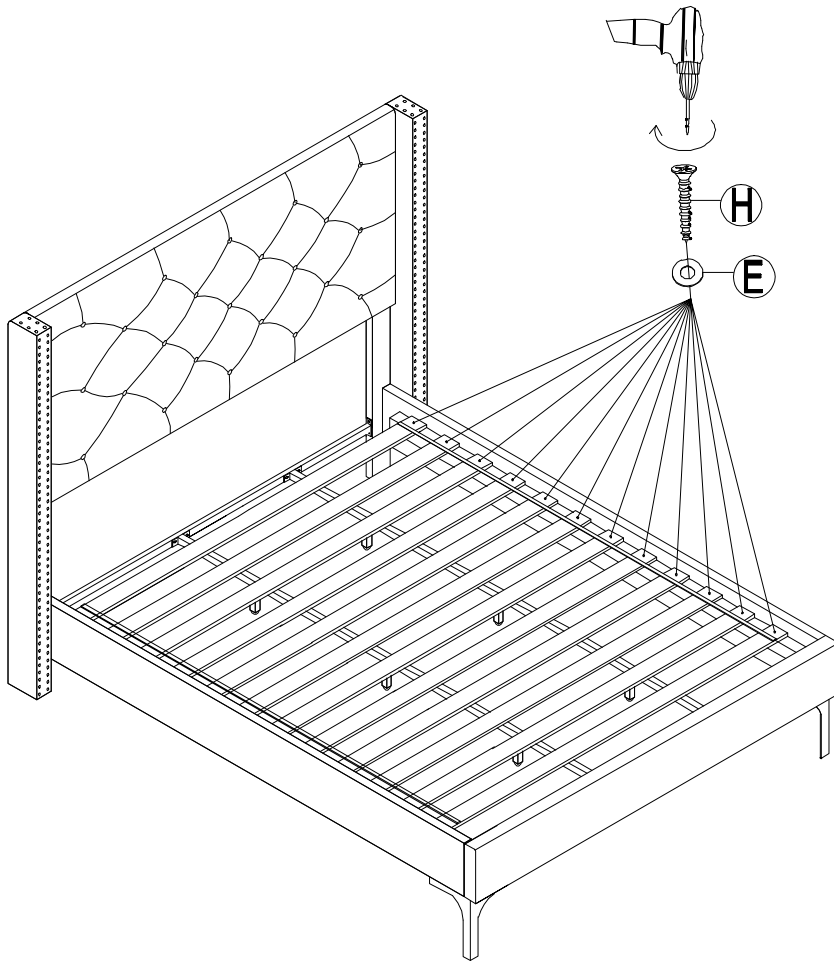
**STEP 8**



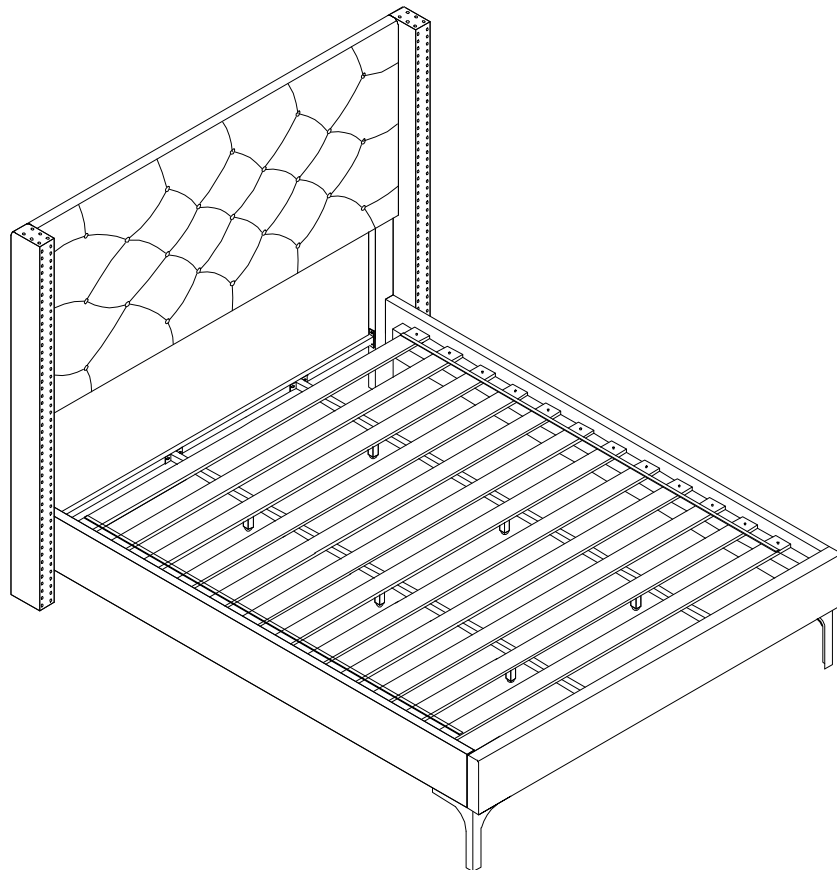
**STEP 9**



**STEP 10**



**STEP 11**



**FINAL**