



## Care Instructions

Please follow the instructions provided below for proper care of your product. Following these instructions will ensure your furniture's high-standard quality remains as it ages

- Vacuum regularly to eliminate dust as they can be abrasive and wear the furniture pre
- Never use harsh chemicals or solvents as this may damage the finish
- Limit contact with liquids as this may damage the finish
- Bolt spills immediately to prevent staining. If necessary, gently wipe using a clean cloth with warm water. Proceed to brush lightly after drying
- If you choose to use a professional product, test the fabric in a discreet area for any sig
- Stains from markers, pens, crayons, and pens may be difficult to remove. We recomme consult a professional

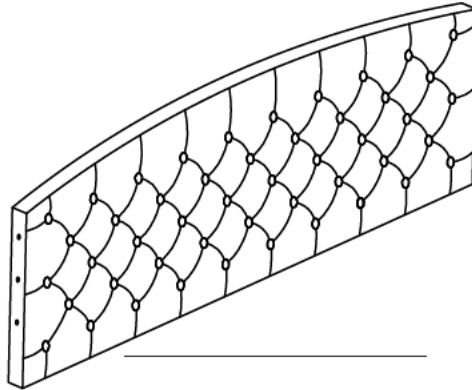
# PARTS LIST

PLEASE CHECK TO ENSURE ALL PARTS ARE IN THE BOX

A

1PC

Headboard Panel



L

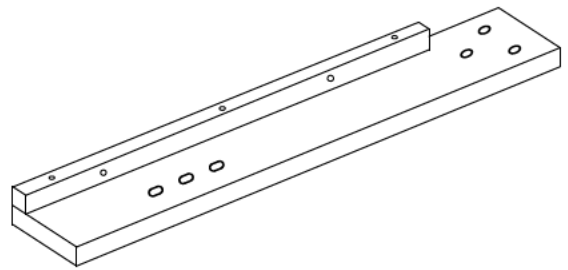
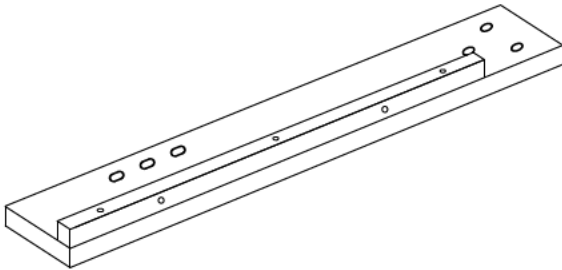
1PC

R

1PC

Left Headboard Leg

Right Headboard Leg



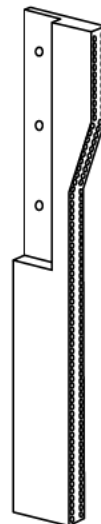
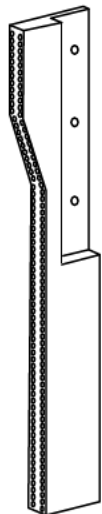
J

1PC

K

Left Wingback

Right Wingback





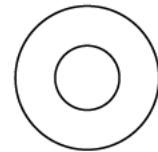
16PCS



Nuts

Spring Washers  $\varnothing$  5/16" x 9/16"

Flat Washers  $\varnothing$  5/16" x 3/4"

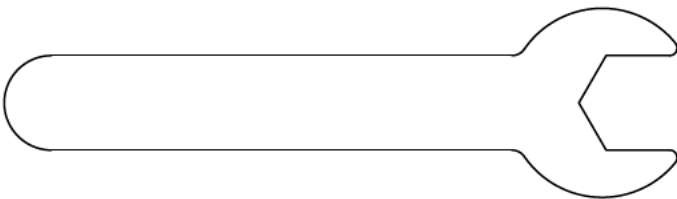


1PC



Wrench

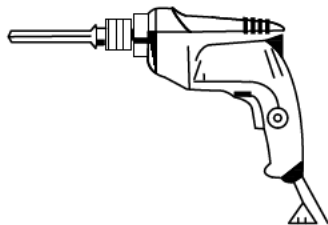
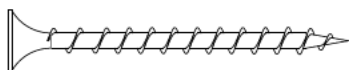
Allen Wrench M5 x 2 1/2"



4PCS

Screw F4 x 1 3/4"

This page lists all contents included in the box. Please take the time to identify the hardware, as well as, the individual components to this product. As you unpack and prepare for assembly, place the contents on a well-padded area to protect them from damage.



Electric drill (not included) is required to tighten the wood screws

## IMPORTANT !!

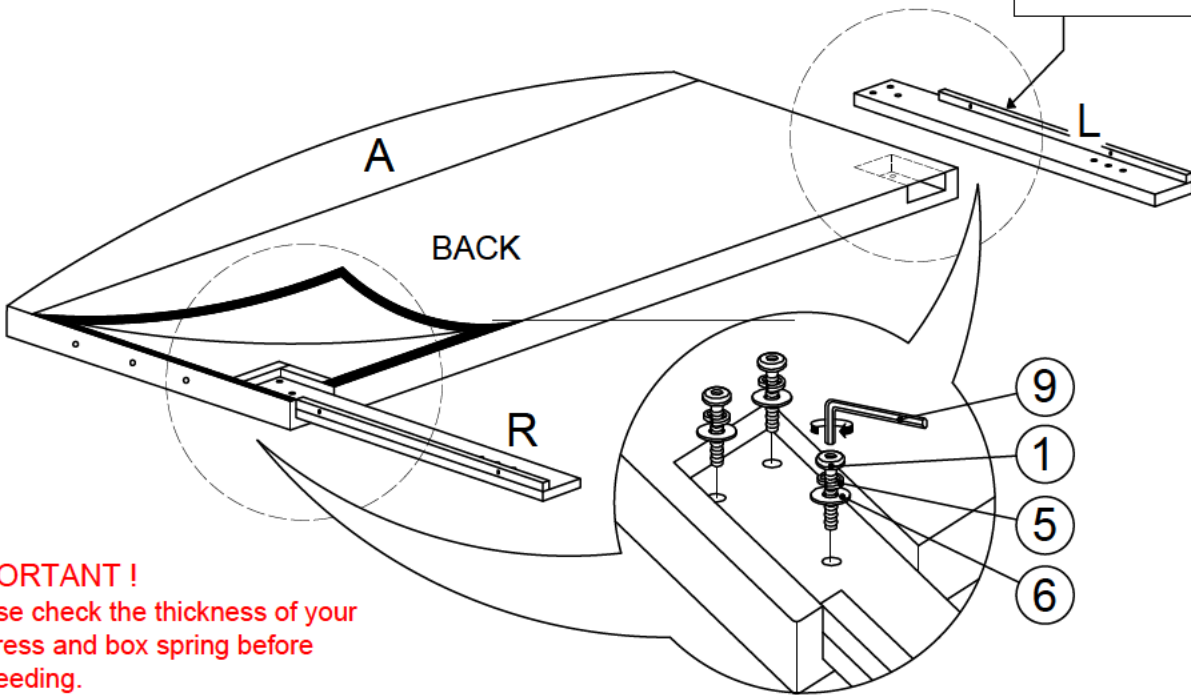
Tips:

\*\*Please check the thickness of your mattress and box spring before proceeding.

1)



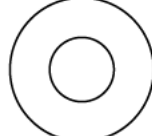

Attach the Headboard Leg (L) & (R) to the Headboard Panel (A).

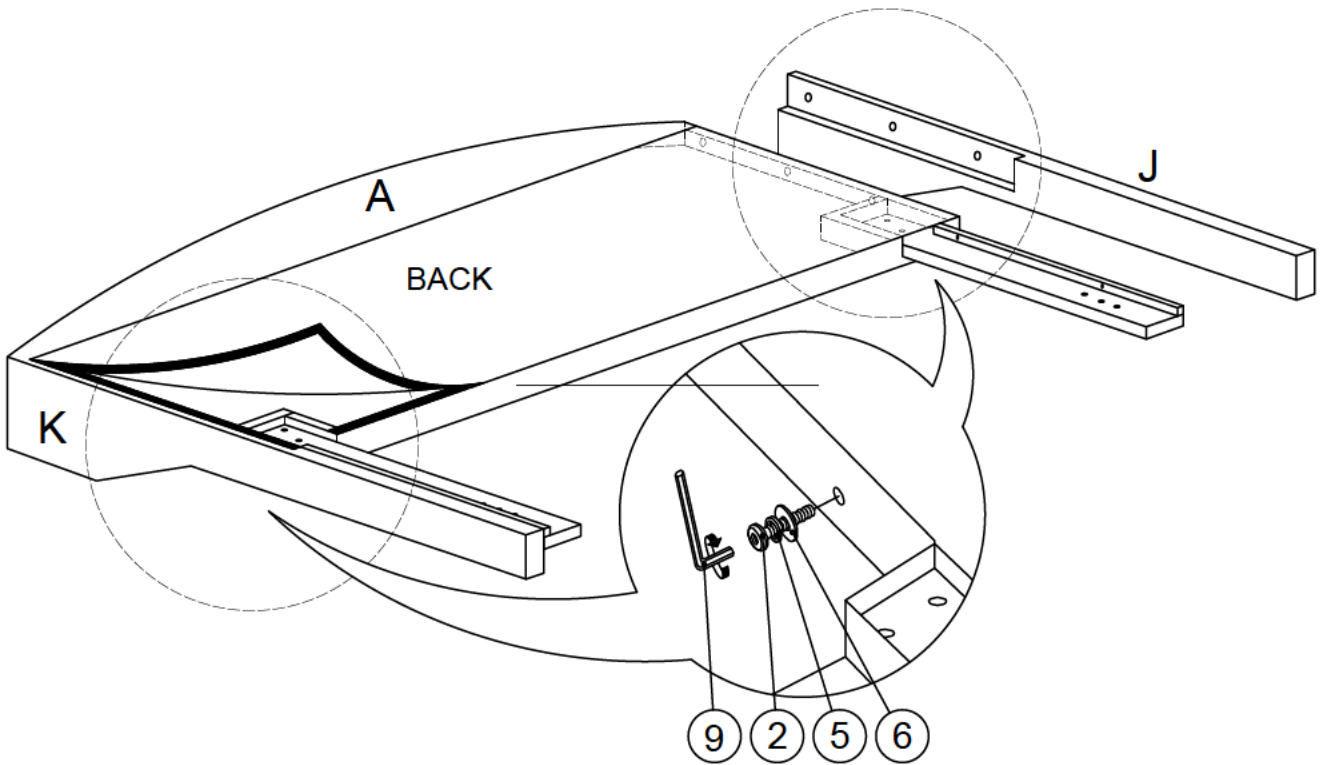
Make sure the cleat is on outside edge



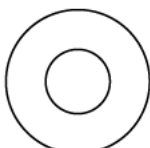



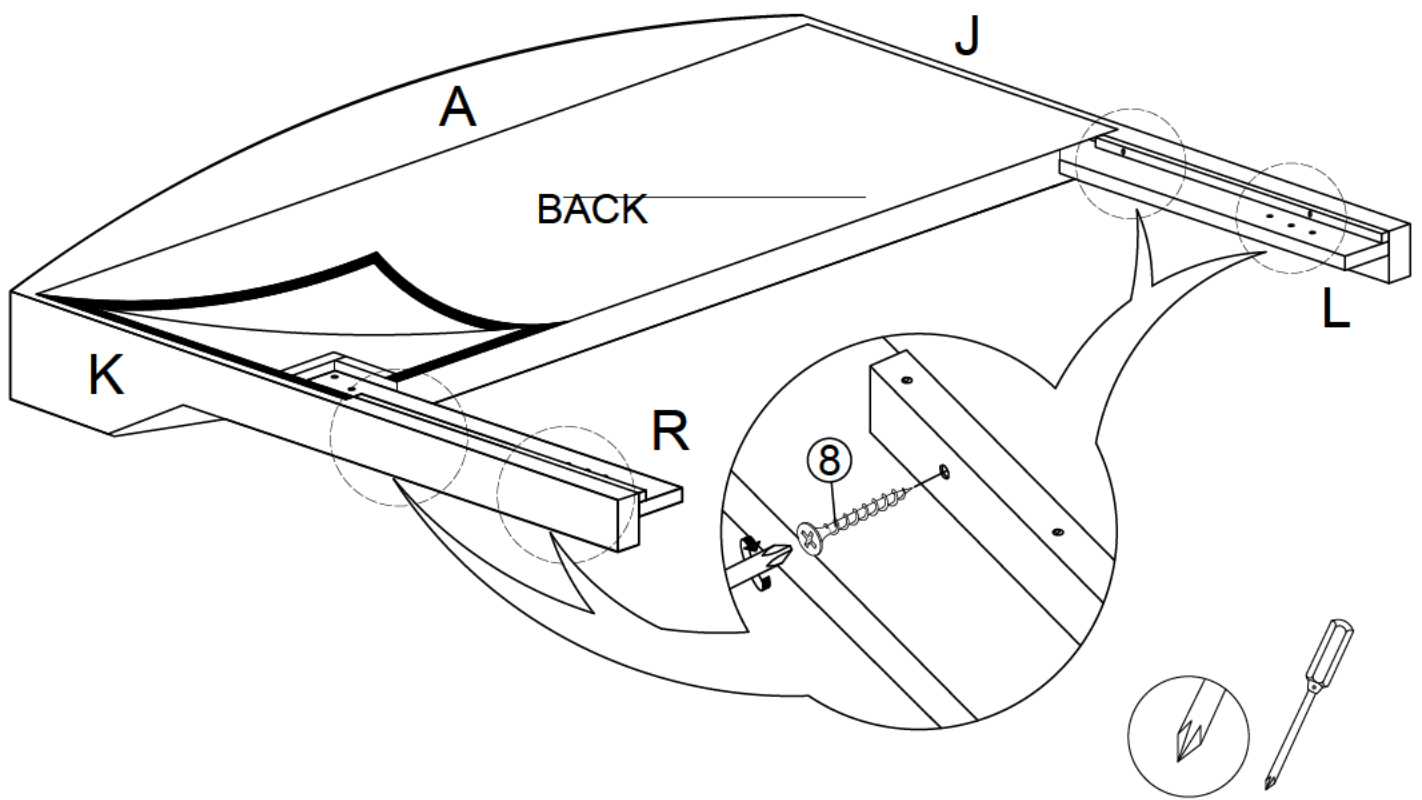
**IMPORTANT !**

Please check the thickness of your mattress and box spring before proceeding.

①	6PCS	⑤	6
Allen Bolts Ø 5/16" x 2"		Spring Washers Ø 5/16" x	
			
⑥	6PCS	⑨	
Flat Washers Ø 5/16" x 3/4"		Allen Wrench M5 x 2 1.	
			



②	6PCS	⑤	6
Allen Bolts Ø 5/16" x 1 1/2"		Spring Washers Ø 5/16" x	
			
⑥	6PCS	⑨	
Flat Washers Ø 5/16" x 3/4"		Allen Wrench M5 x 2 1/2"	
			

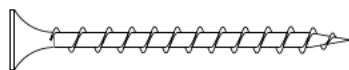


Phillips head screwdriver / Electric drill  
(not included) are necessary for assembly  
Use the phillips head screwdriver to  
tighten the wood screw

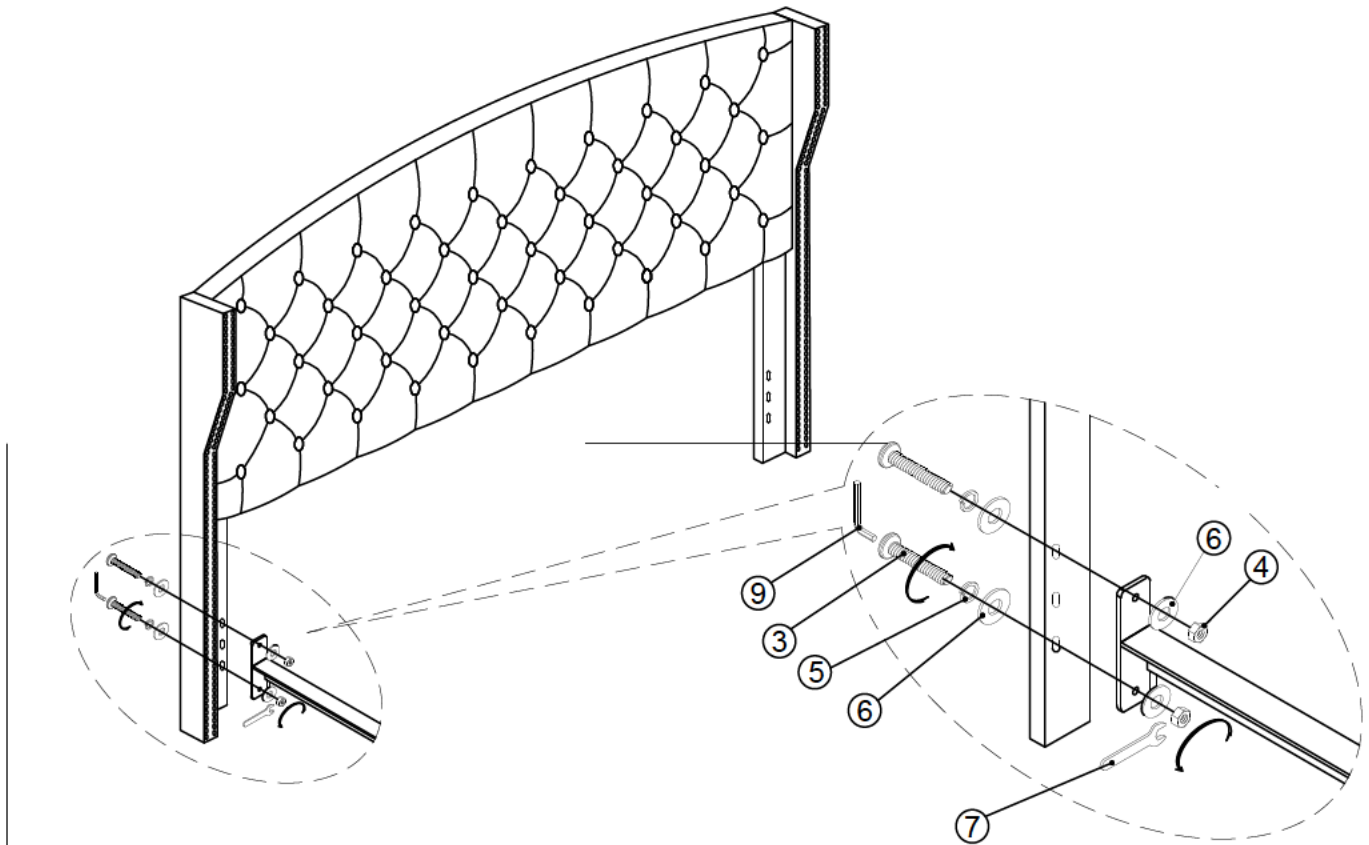
⑧




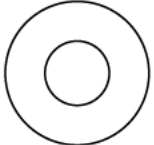
4PCS

Screw F4 x 1 3/4"



4)  
 Assemble the metal bed frame (not included) to headboard legs (L/R).



③	4PCS	④	4PCS	⑤	4PCS	⑥	8PCS
Allen Bolts Ø5/16" x1- 3/4"		Nuts		Spring Washers Ø 5/16" x 9/16"		Flat Washers Ø 5/16" x 3/4"	
							
⑦		1PC		⑨		1PC	
Wrench				Allen Wrench			
