

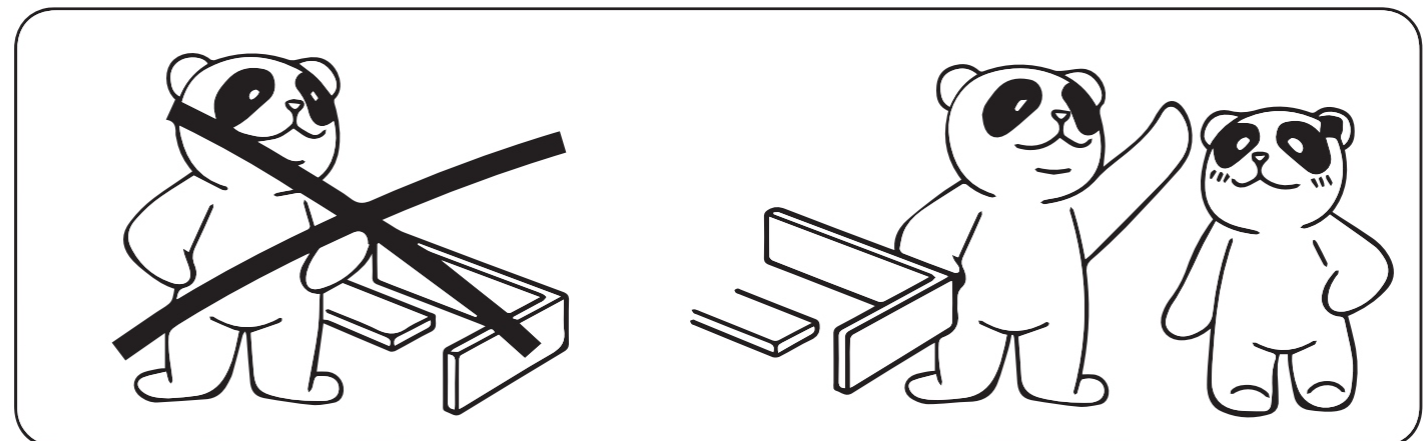
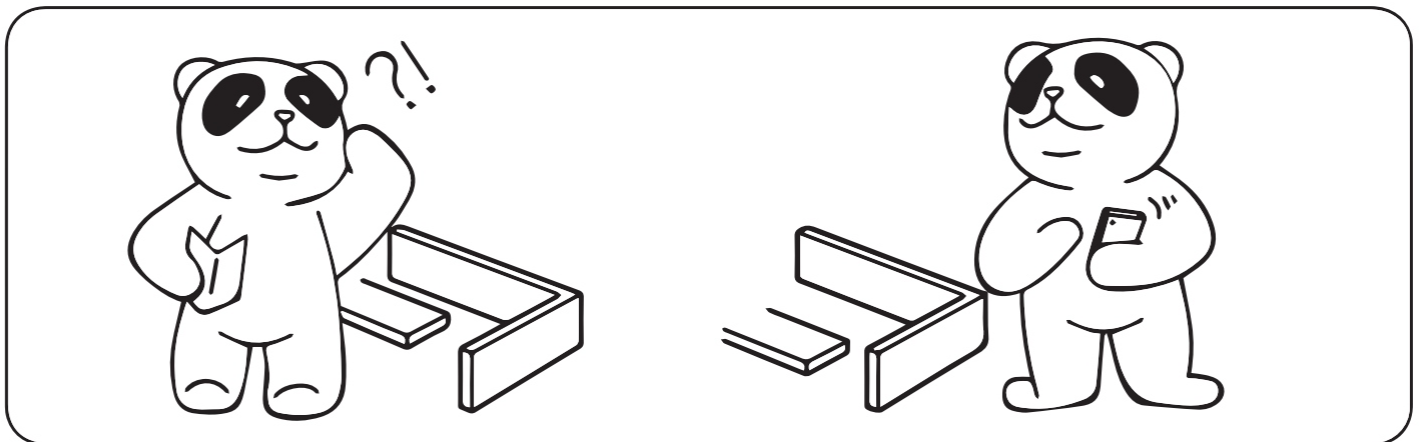
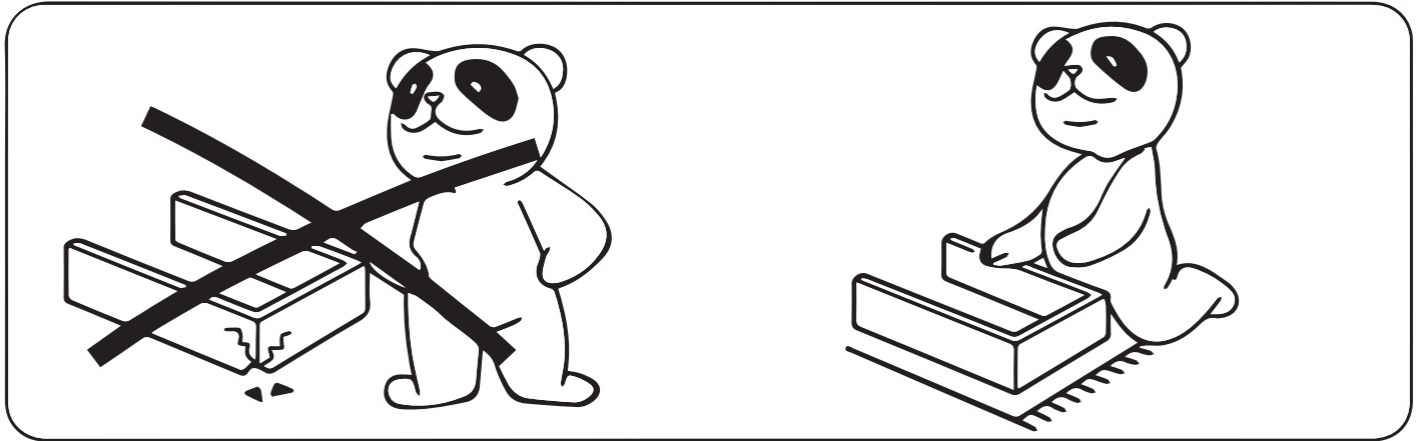
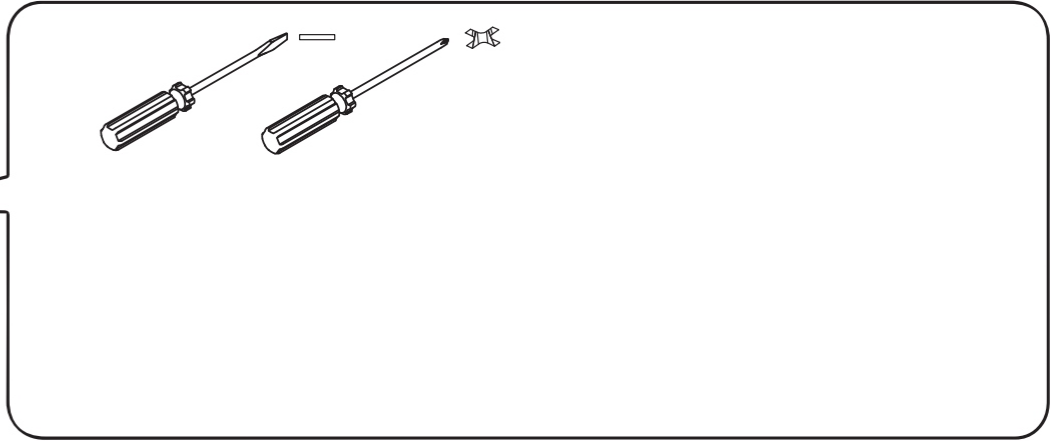


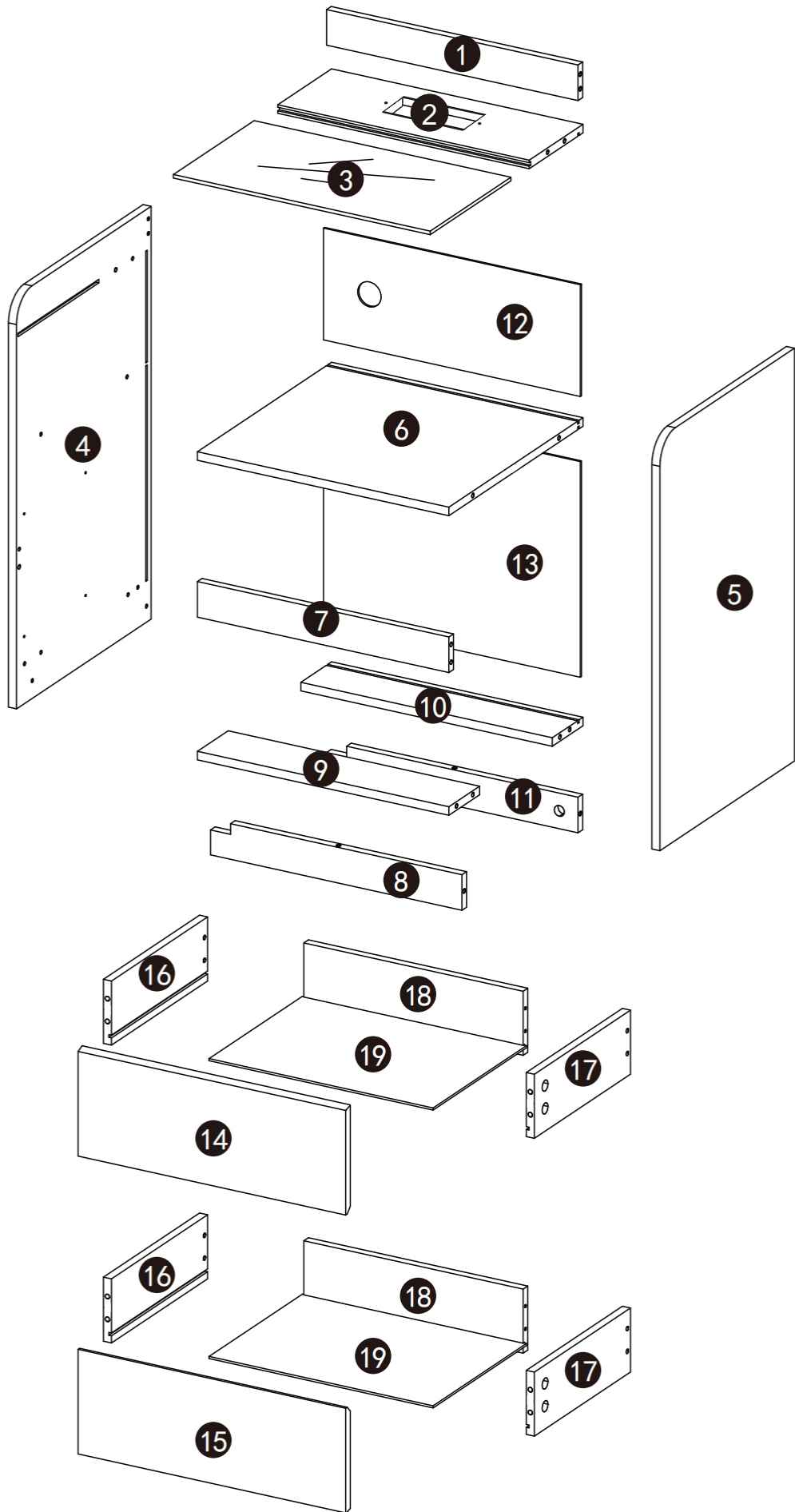
FFCG05

Instruction Manual




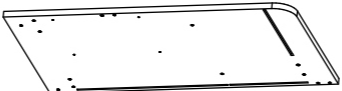






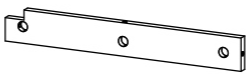
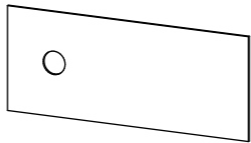
Thanks a lot your support and purchasing.

Please feel free to contact us if you have any questions with assembly or need replacement parts.

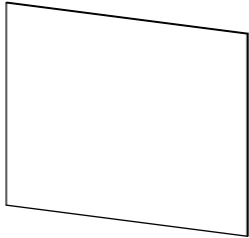
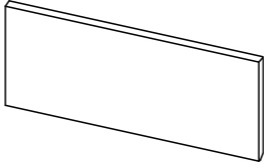
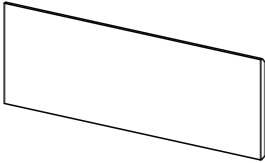
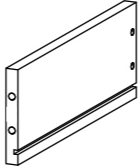
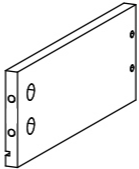
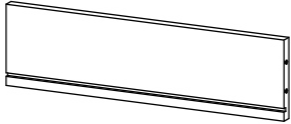









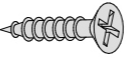
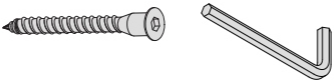
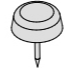
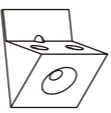
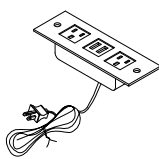

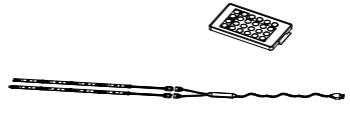
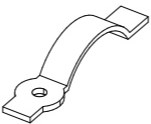
PARTS LIST

Item no.	Reference Image	Qty.	Item no.	Reference Image	Qty.
1		x1	2		x1
3		x1	4		x1
5		x1	6		x1
7		x1	8		x1
9		x1	10		x1
11		x1	12		x1

PARTS LIST

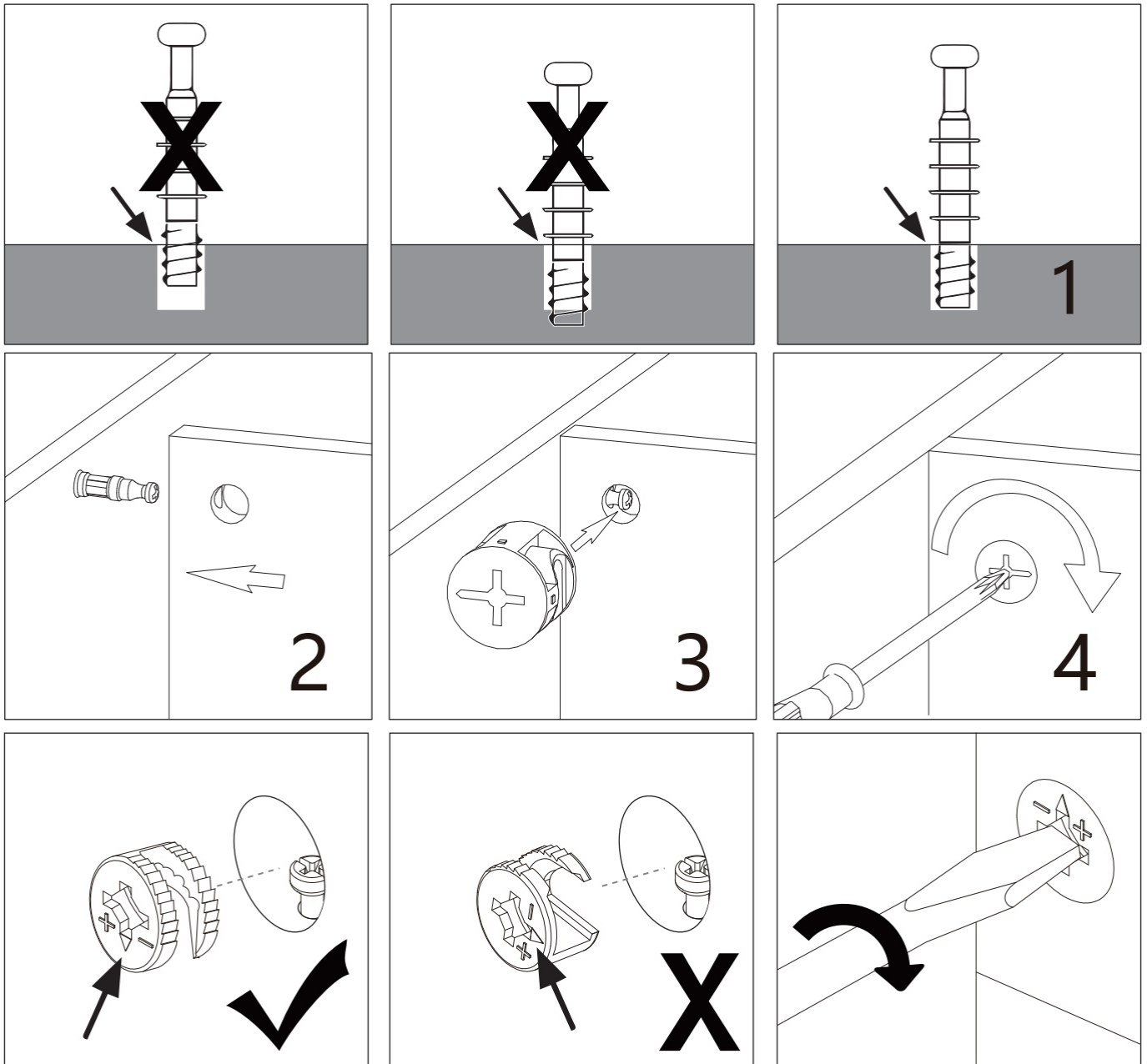
Item no.	Reference Image	Qty.	Item no.	Reference Image	Qty.
13		x1	14		x1
15		x1	16		x2
17		x2	18		x2
19		x2			

HARDWARE LIST

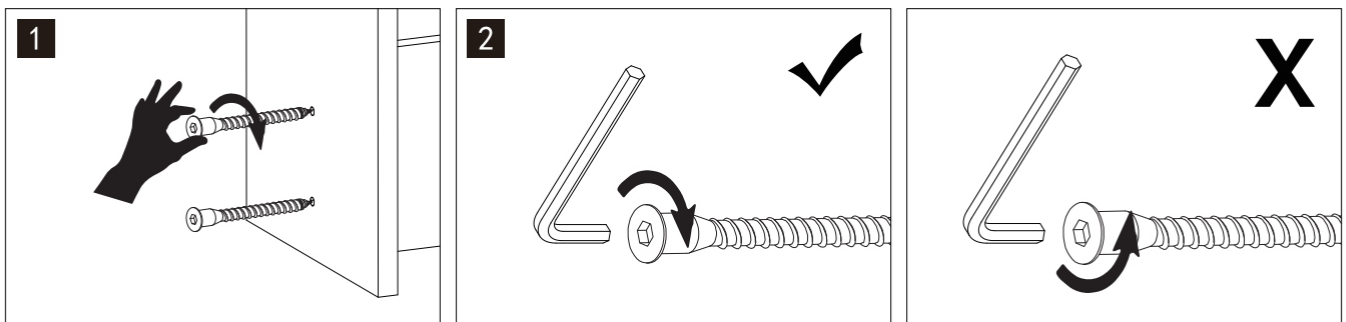
Item no.	Reference Image	Qty.	Item no.	Reference Image	Qty.
A	 6x35	x28	B	 12x9	x28
C	C=CI+CR+DL+DR  12inches	x2	D	 6x30	x10
E	 M3x12	x34	F	 M5x40/#3	x8
G	 φ12x5	x4	H	 x8	x8
I	 x1	x1	J	 x10	x10
K	 x1	x1	L	 x8	x8

Hardware installation indication

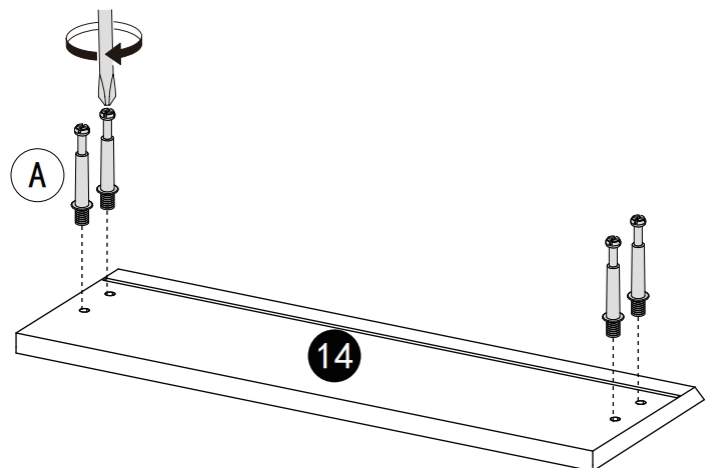
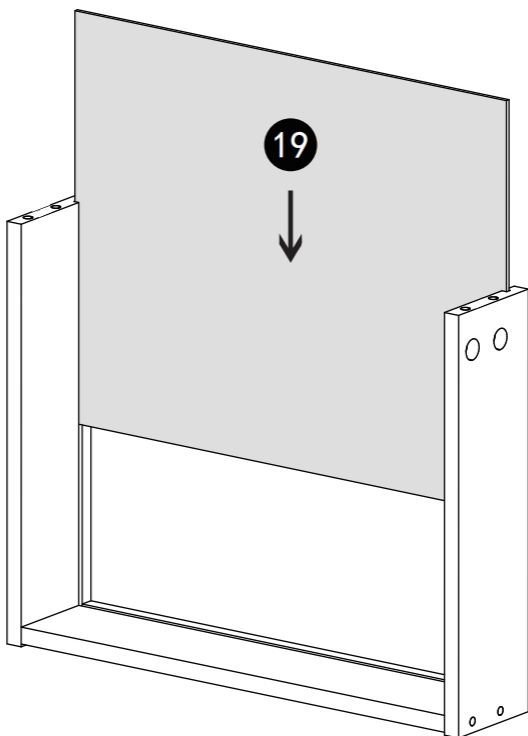
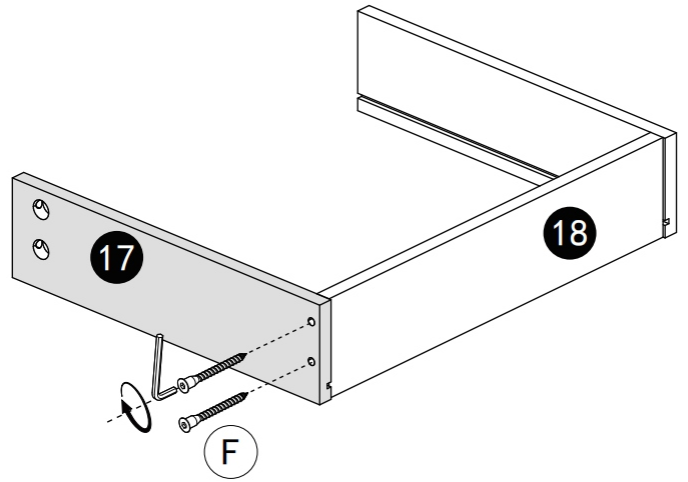
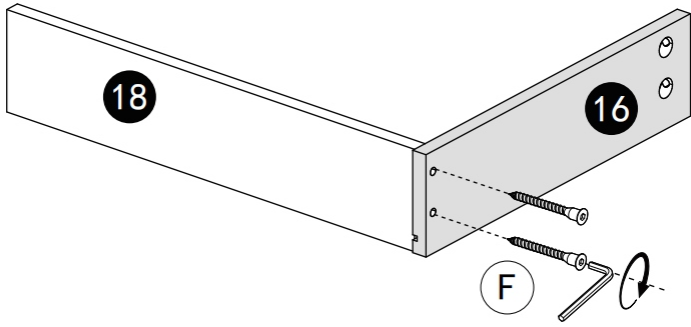
Installation method of three in one rod and buckle

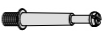



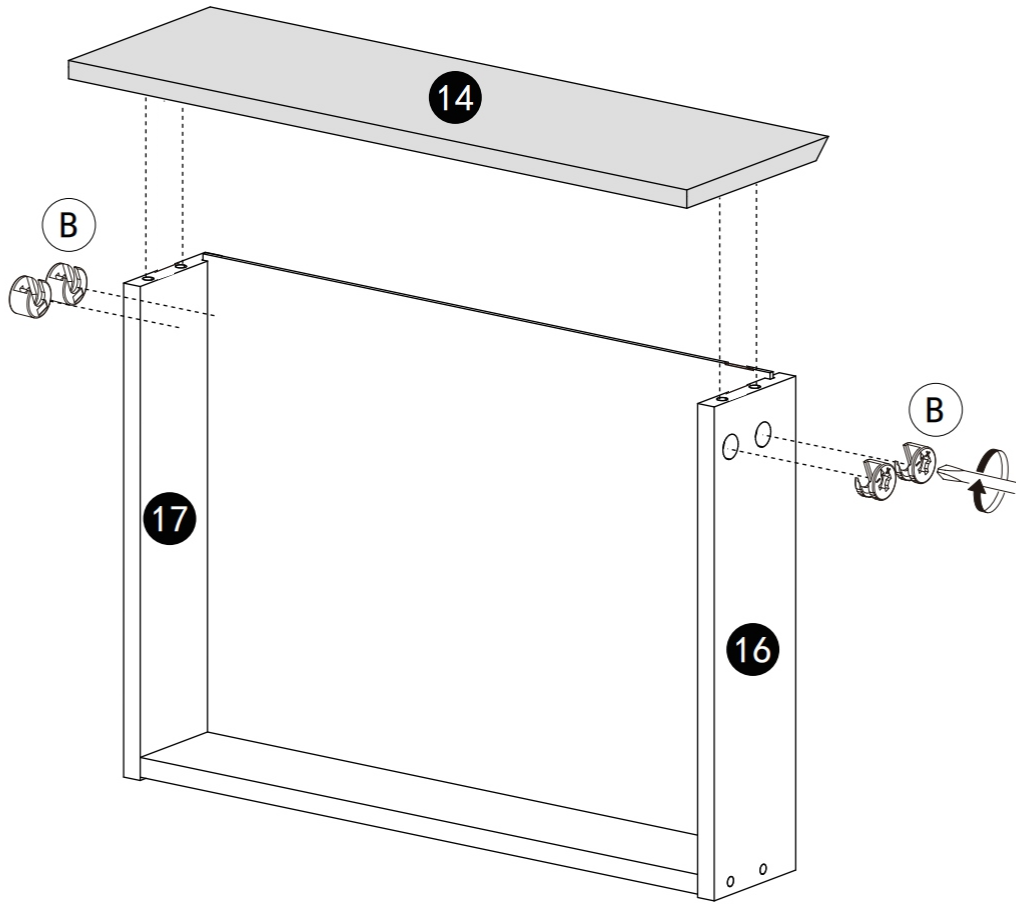
Screw installation method



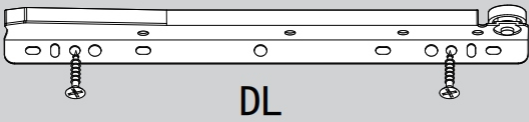
1



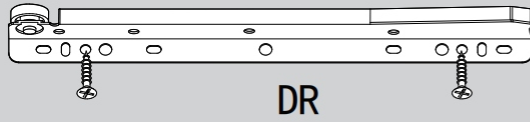
A		x4
F		x4



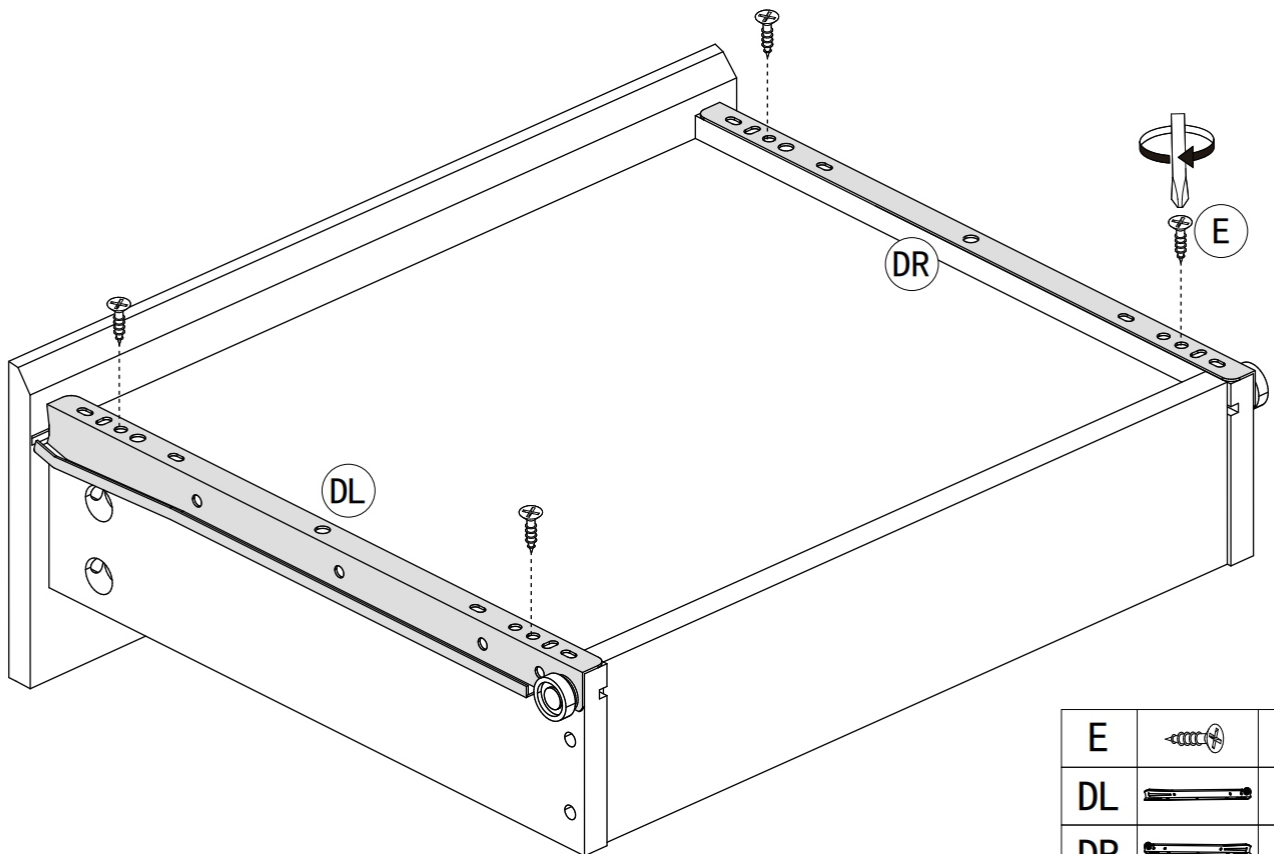
B  x4






DL

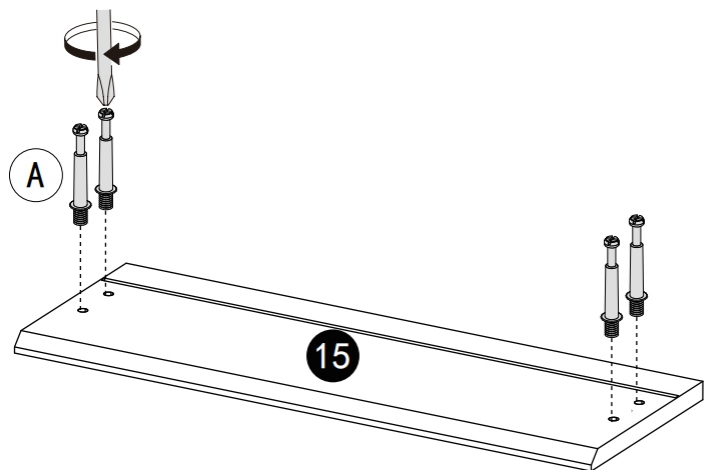
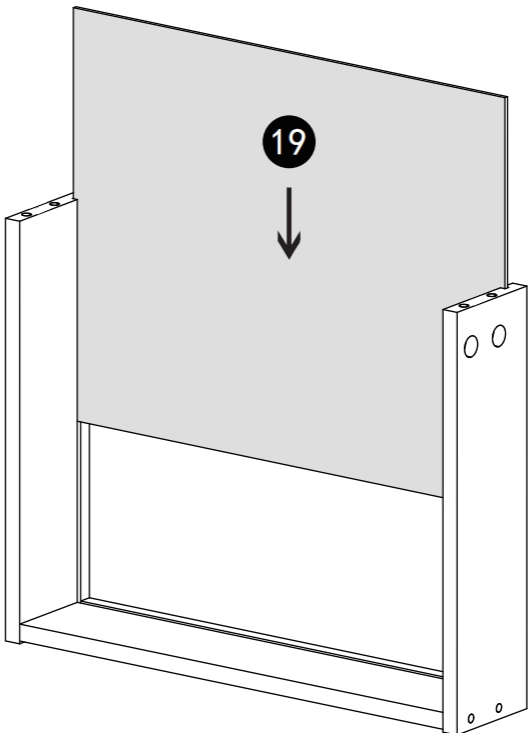
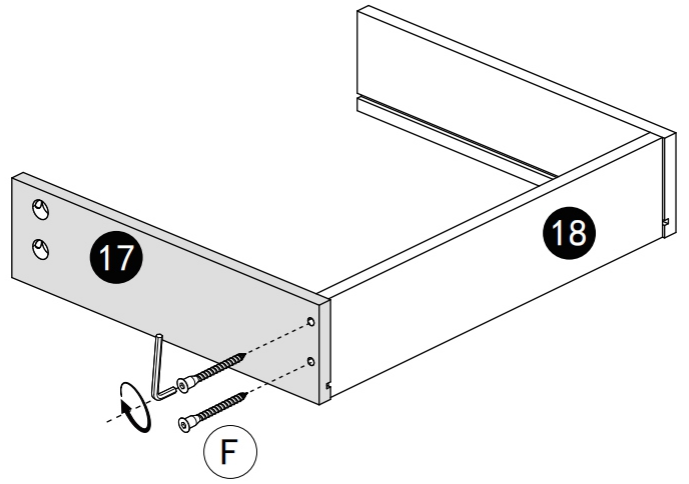
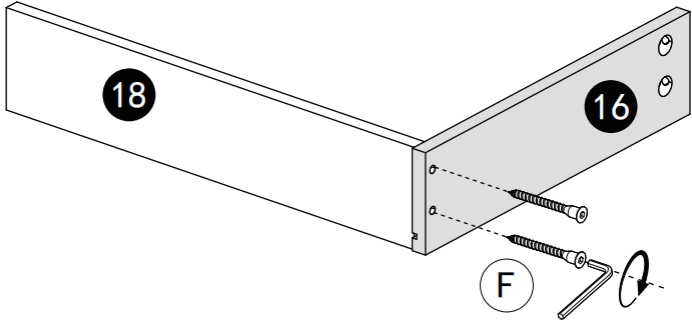




DR

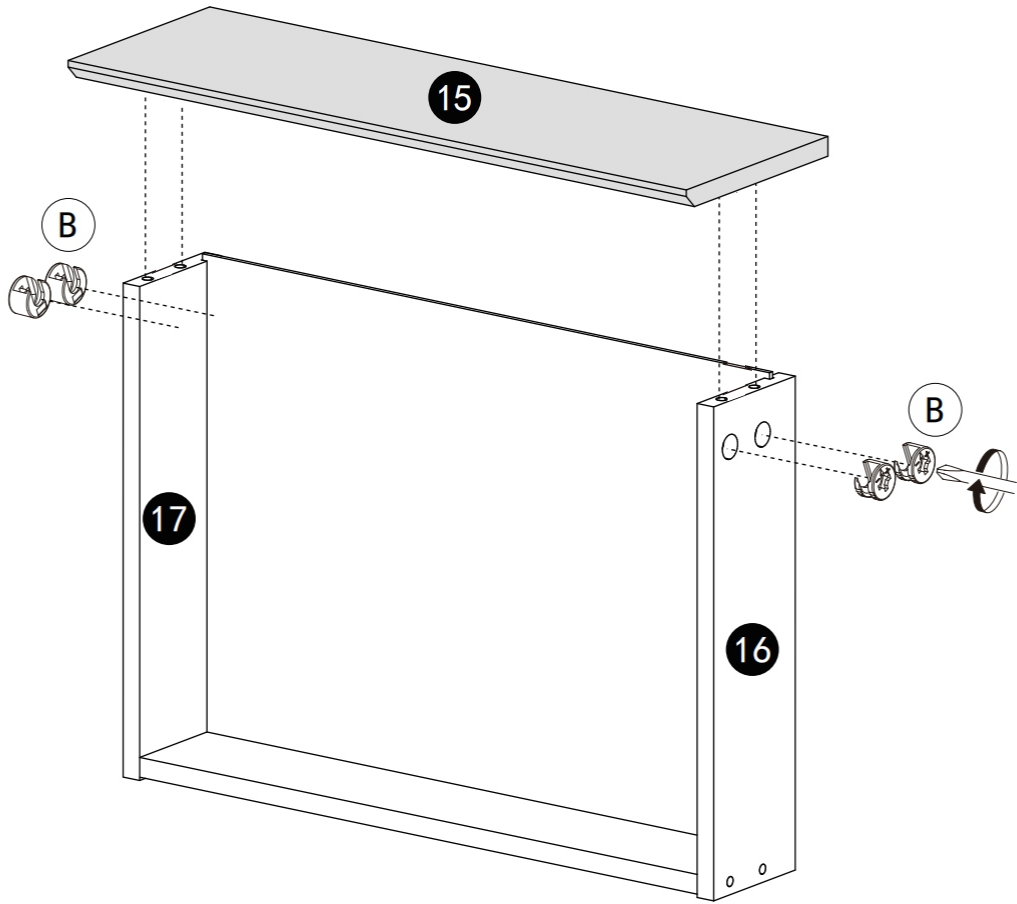


E		x4
DL		x1
DR		x1

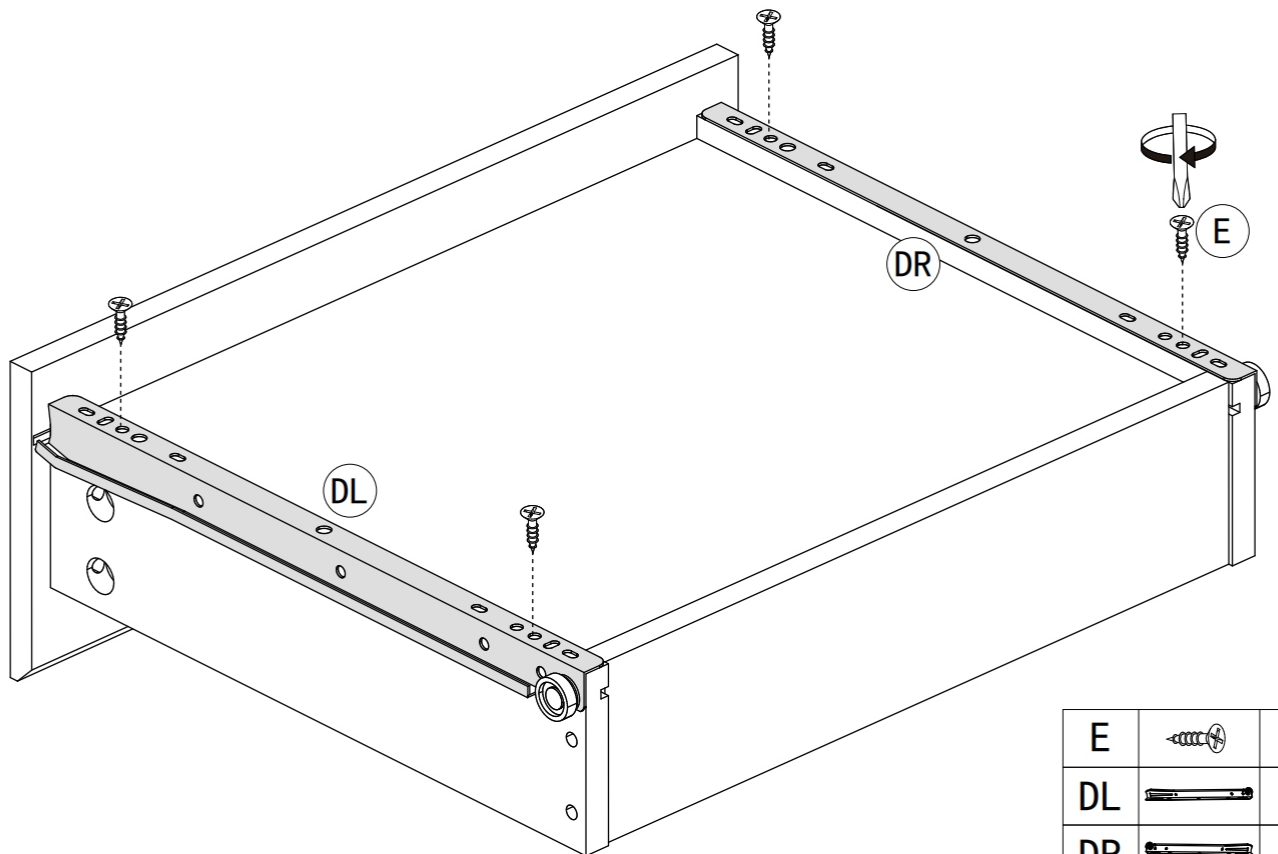
3

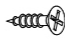




A		x4
F		x4



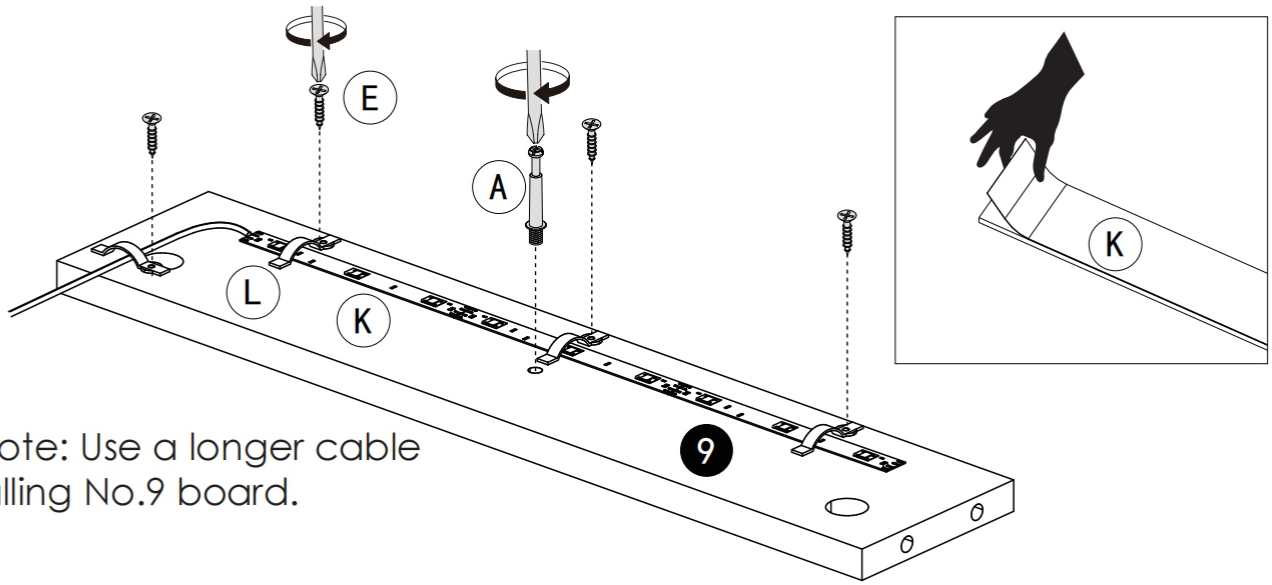
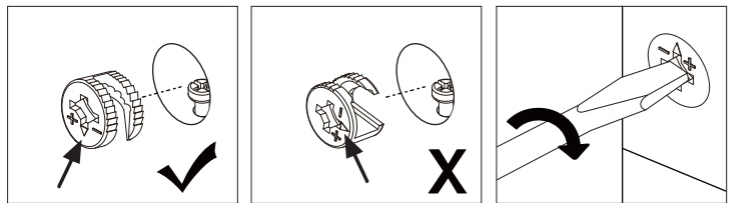
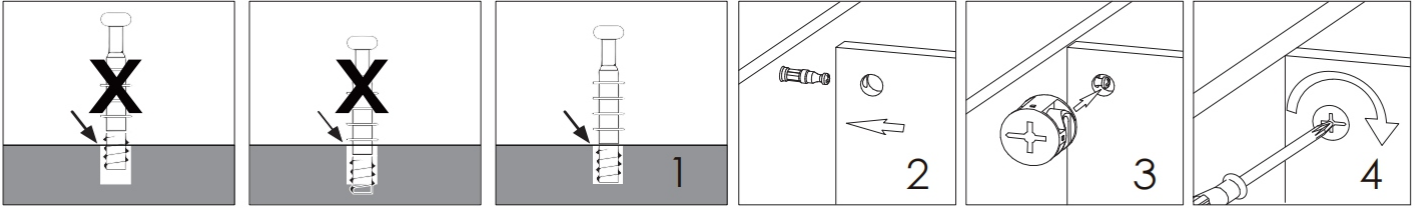
B  x4



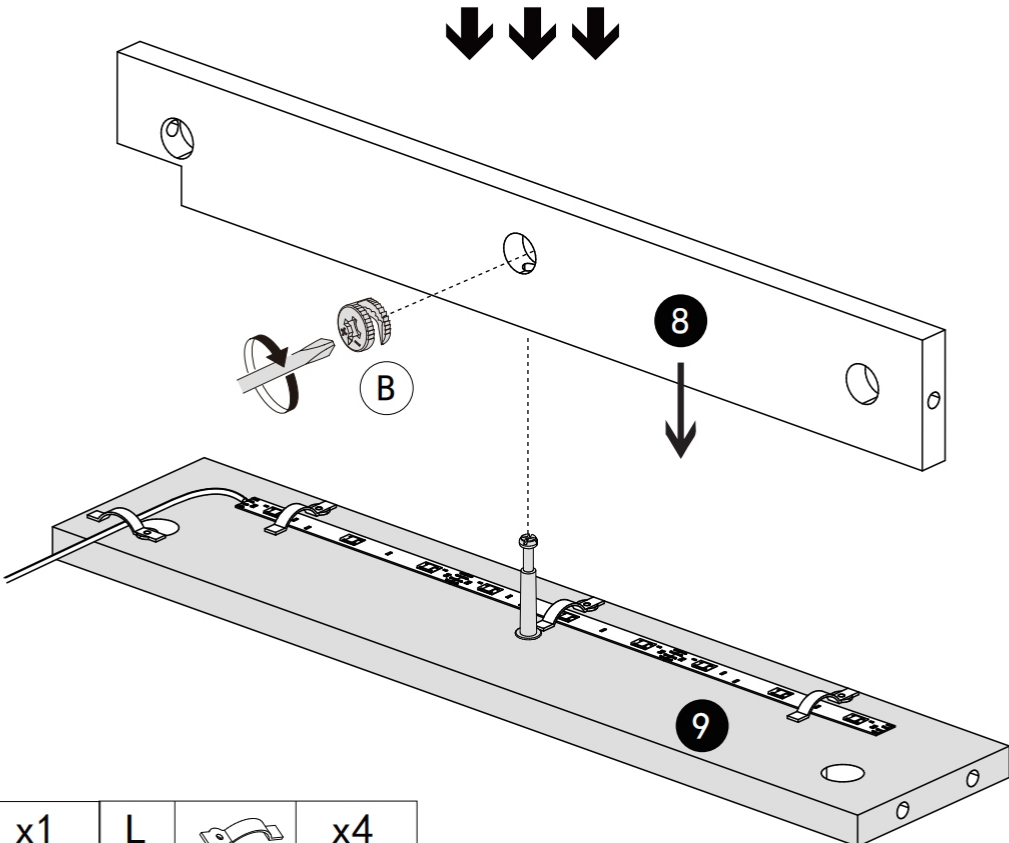
E		x4
DL		x1
DR		x1

5

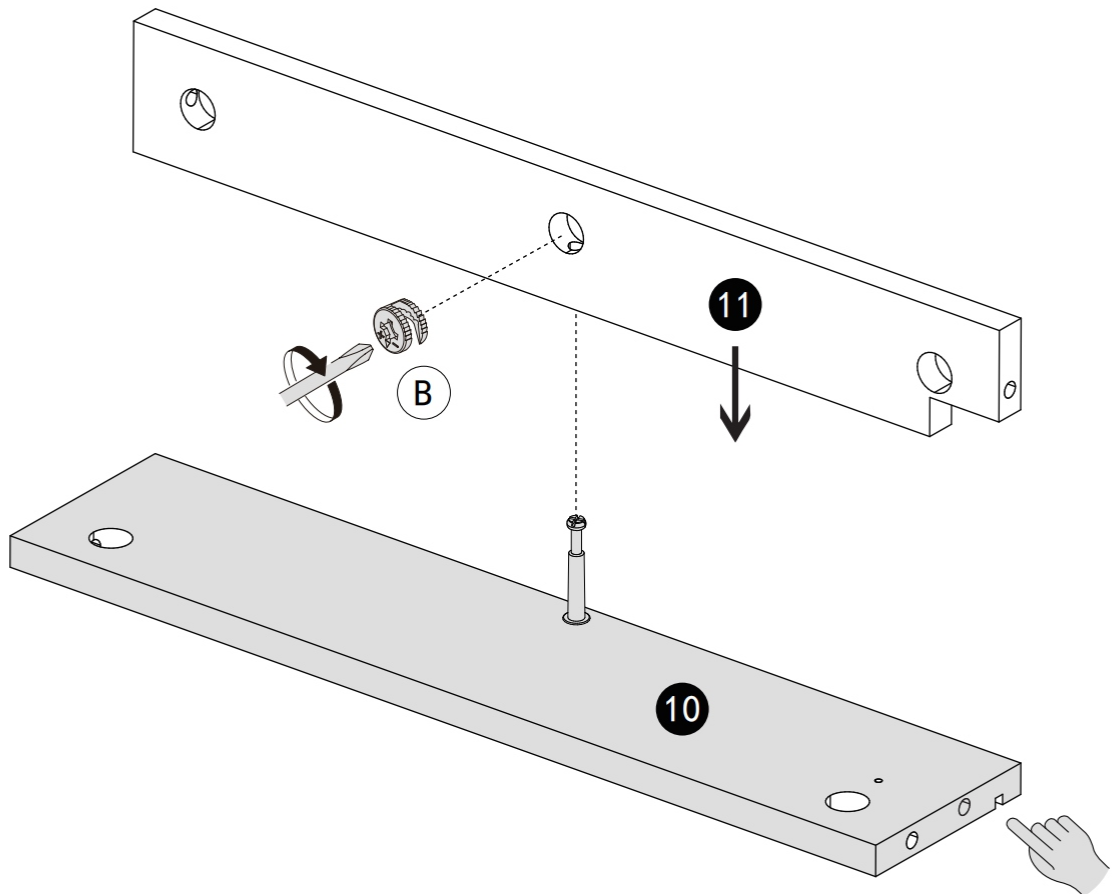
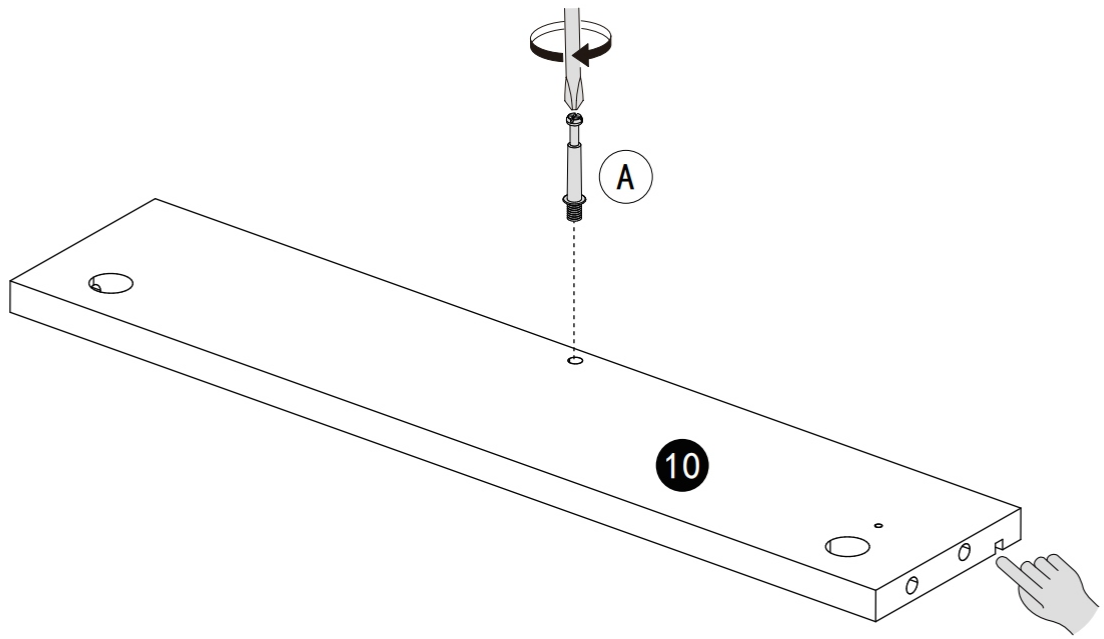
Installation method of three in one rod and buckle





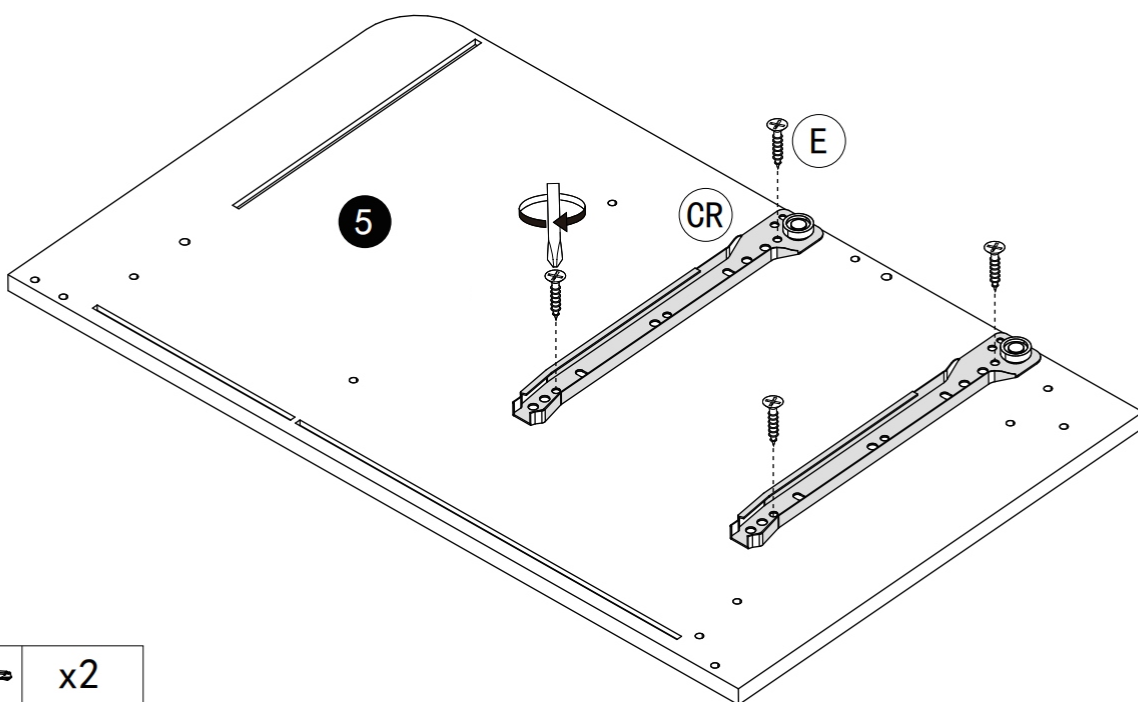
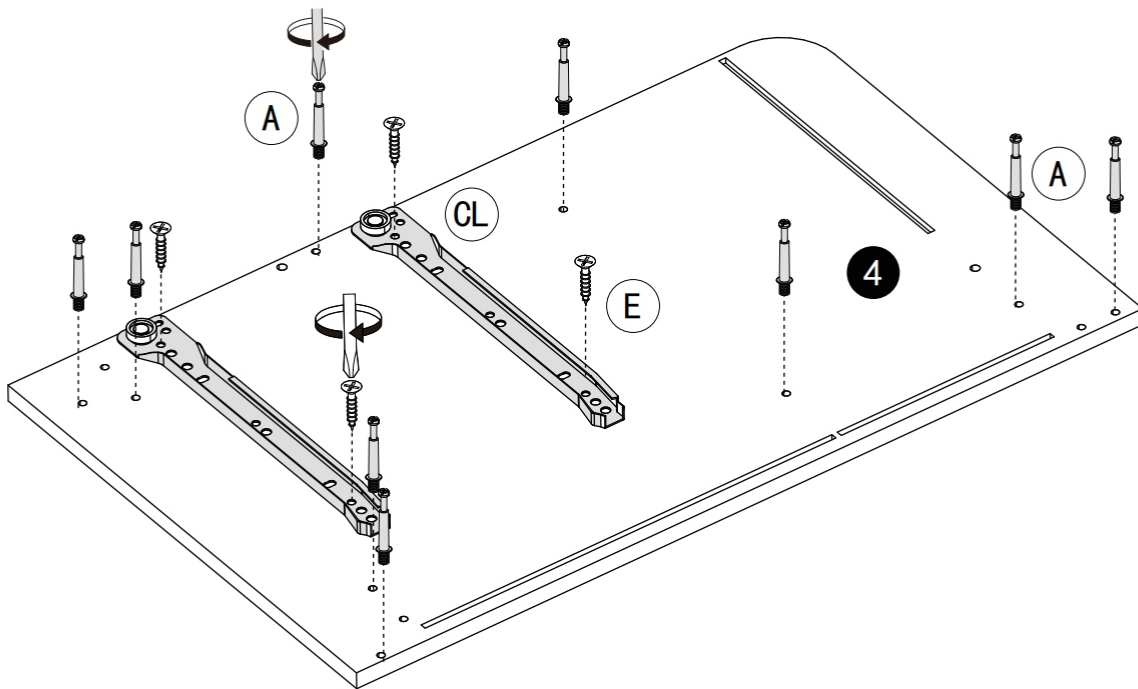
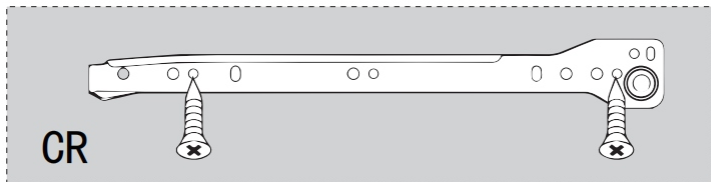
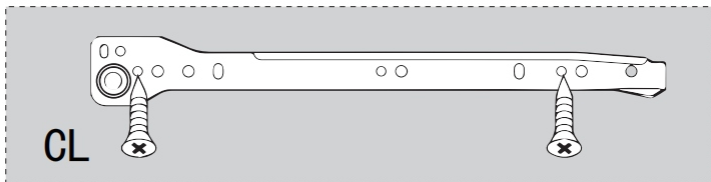
Note: Note: Use a longer cable for installing No.9 board.



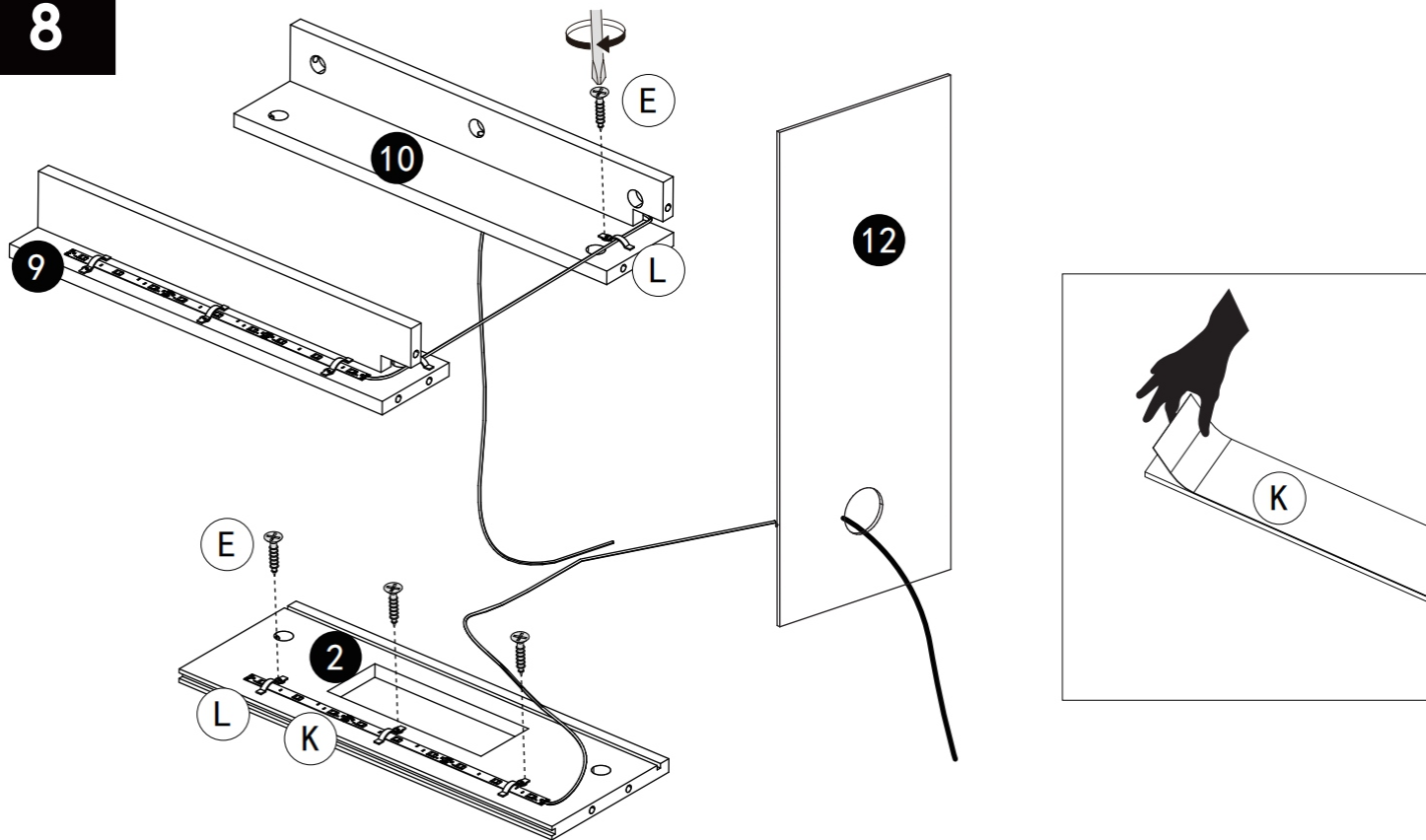
A		x1	L		x4
B		x1	K		x1
E		x4			



A		x1
B		x1

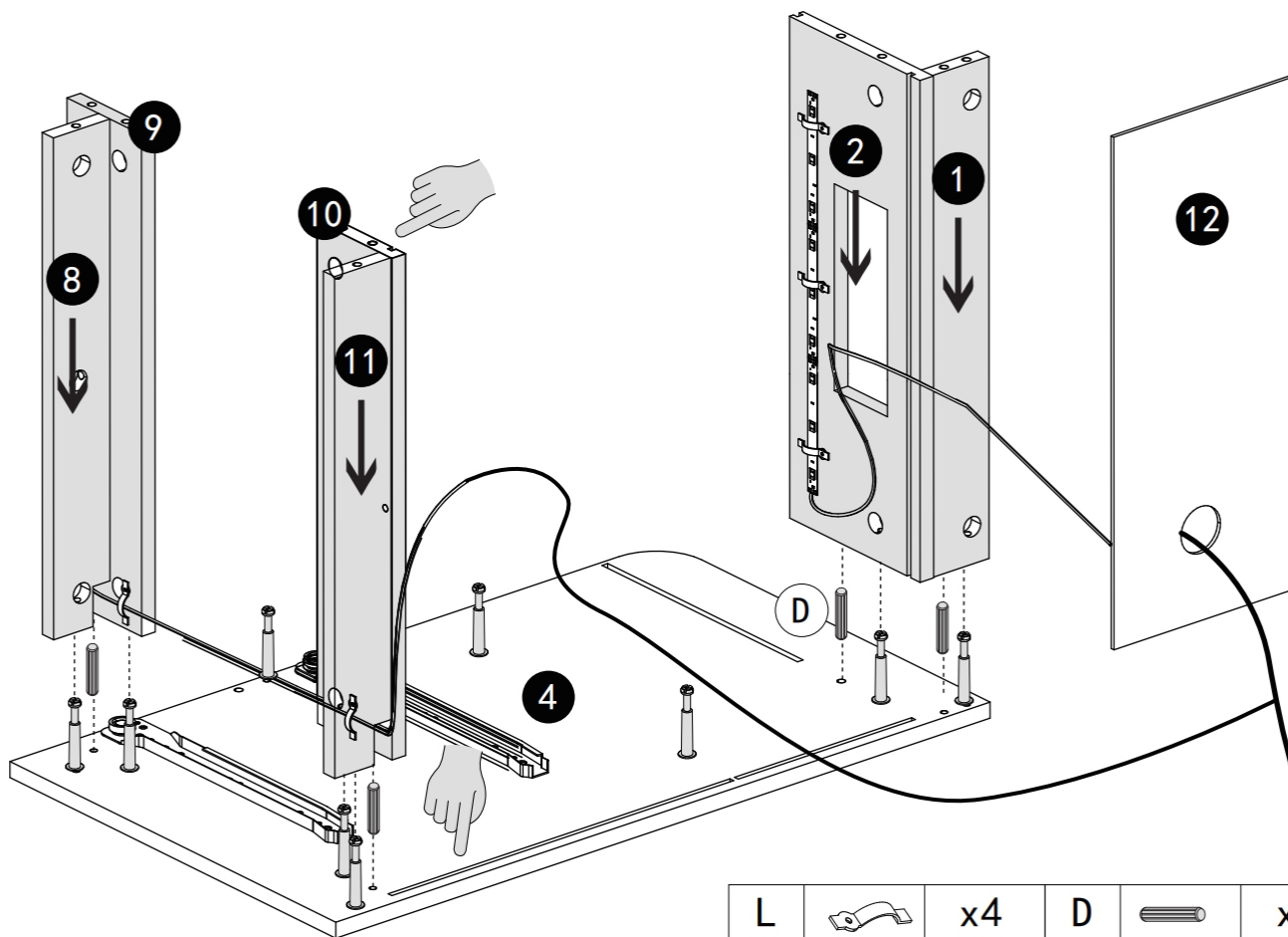


CL		x2			
CR		x2			
E		x8	A		x9

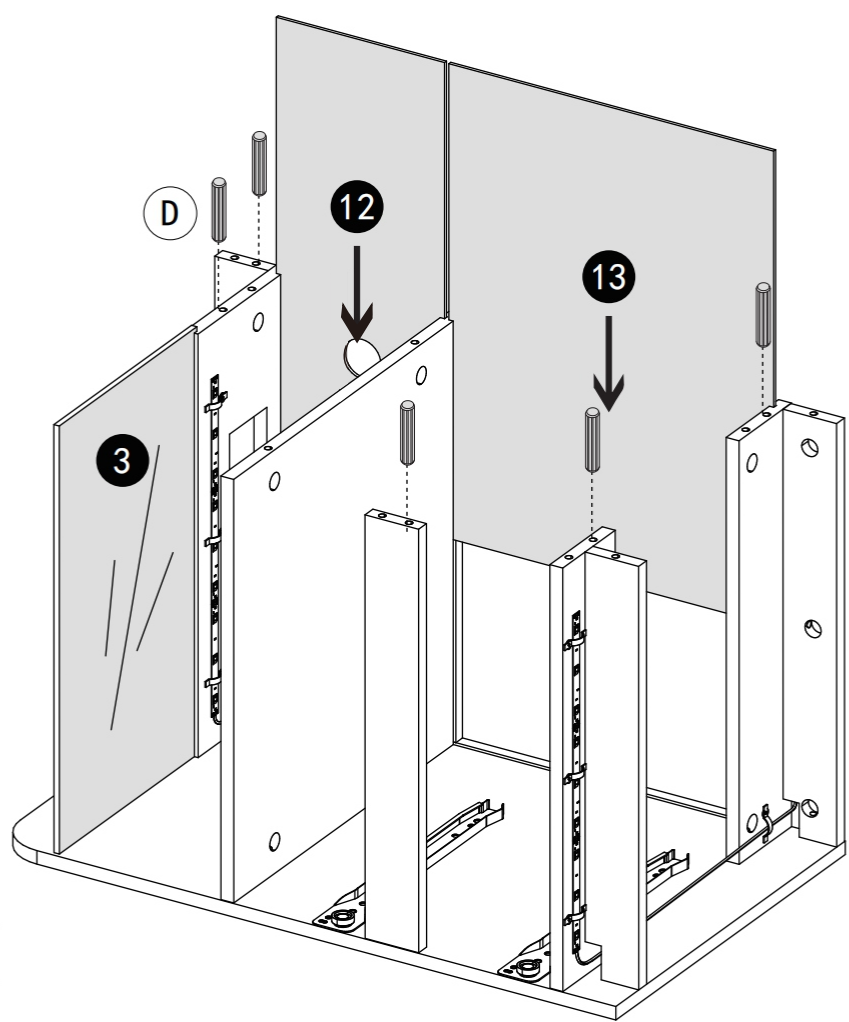
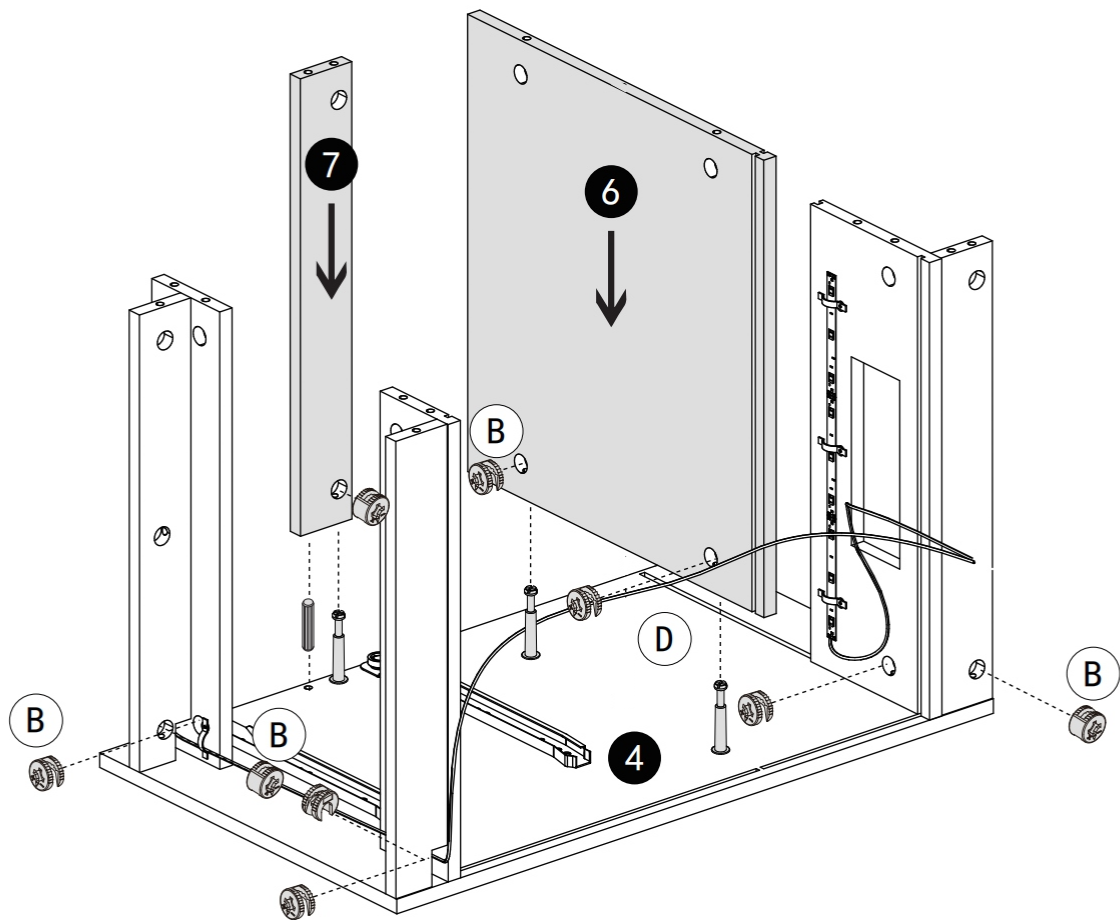




Note:

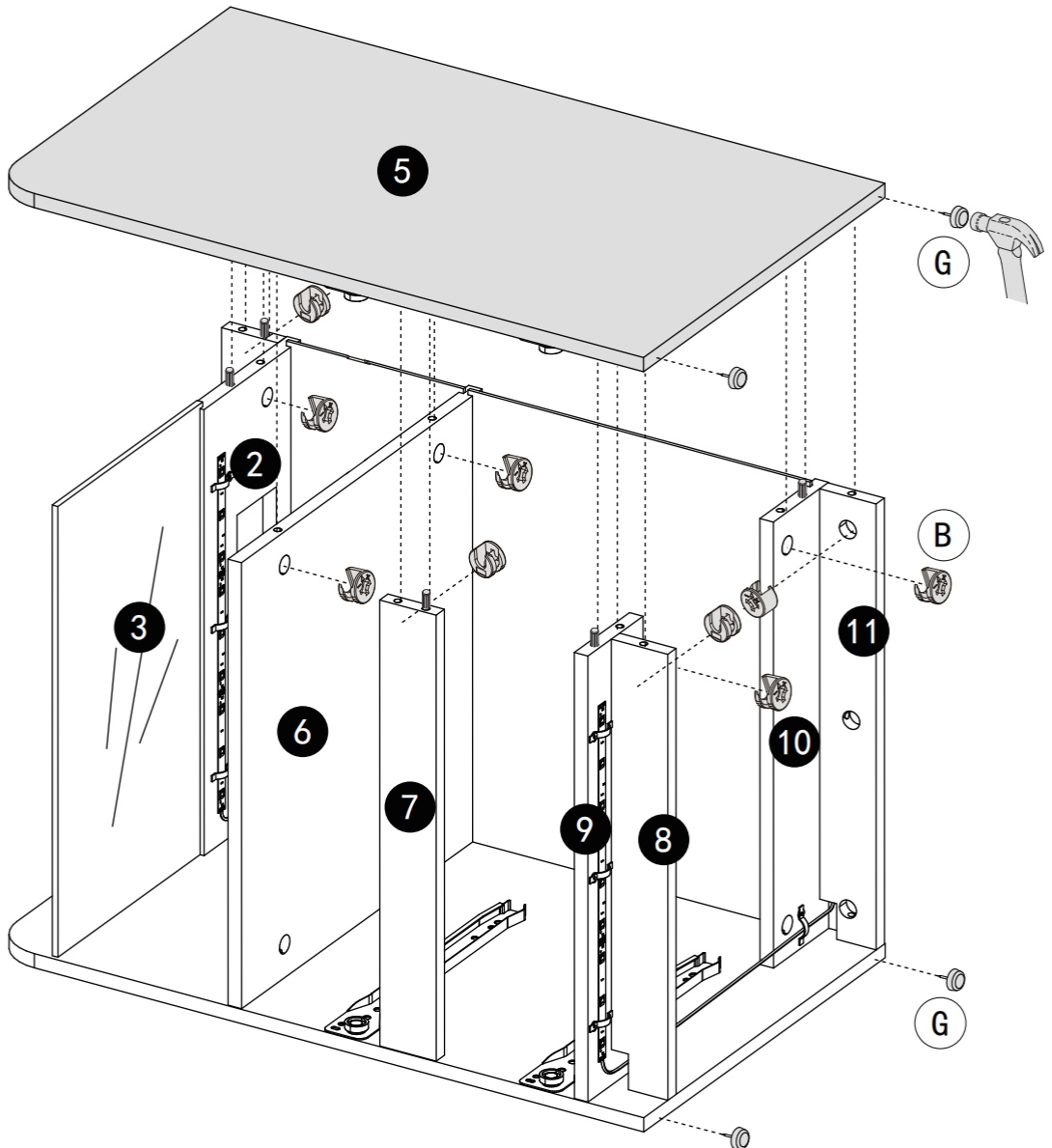
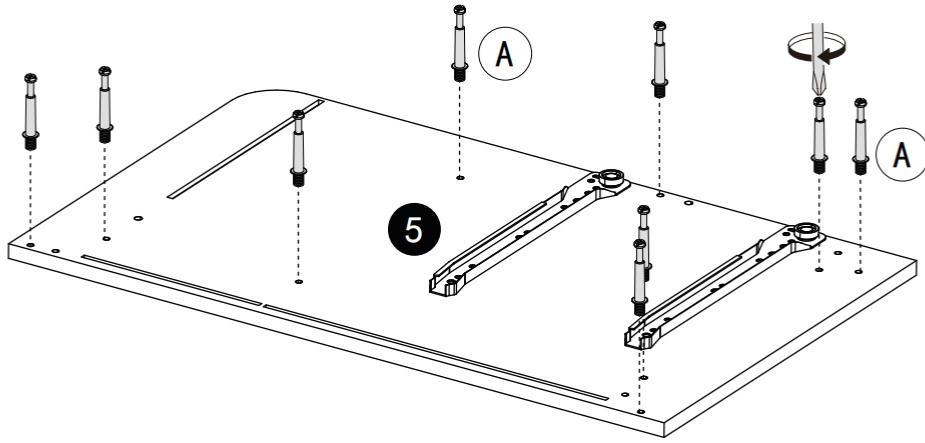
1. Note: use a shorter cable for installing No.2 board.
2. In this step, the K fitting should be inserted through the hole of No.12 plate before installation.






L		x4	D		x4
E		x4	K		

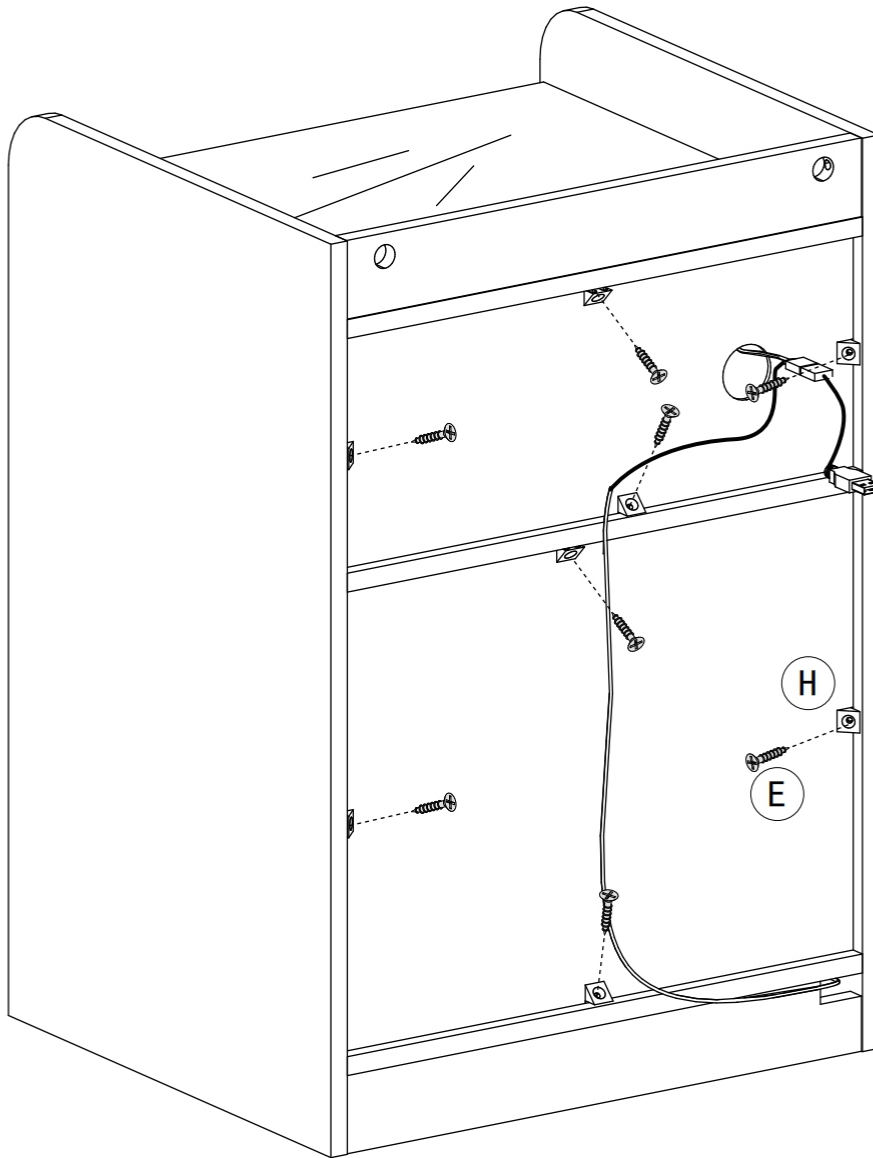



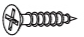
D		x6
B		x9

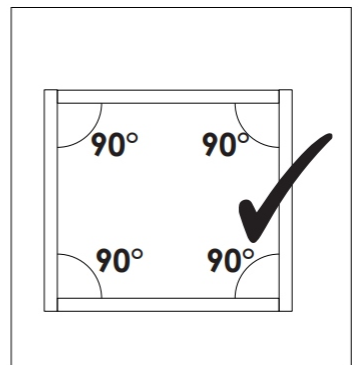
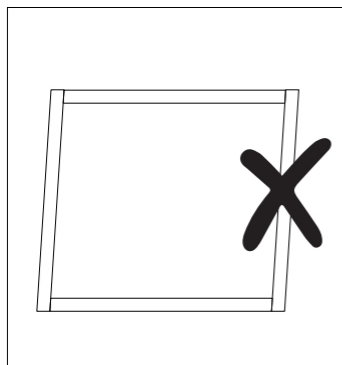
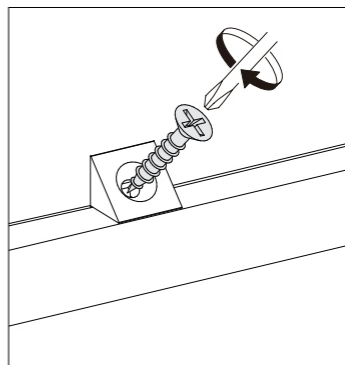
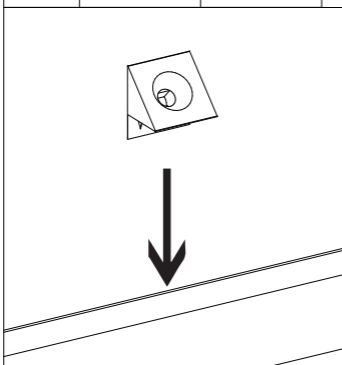


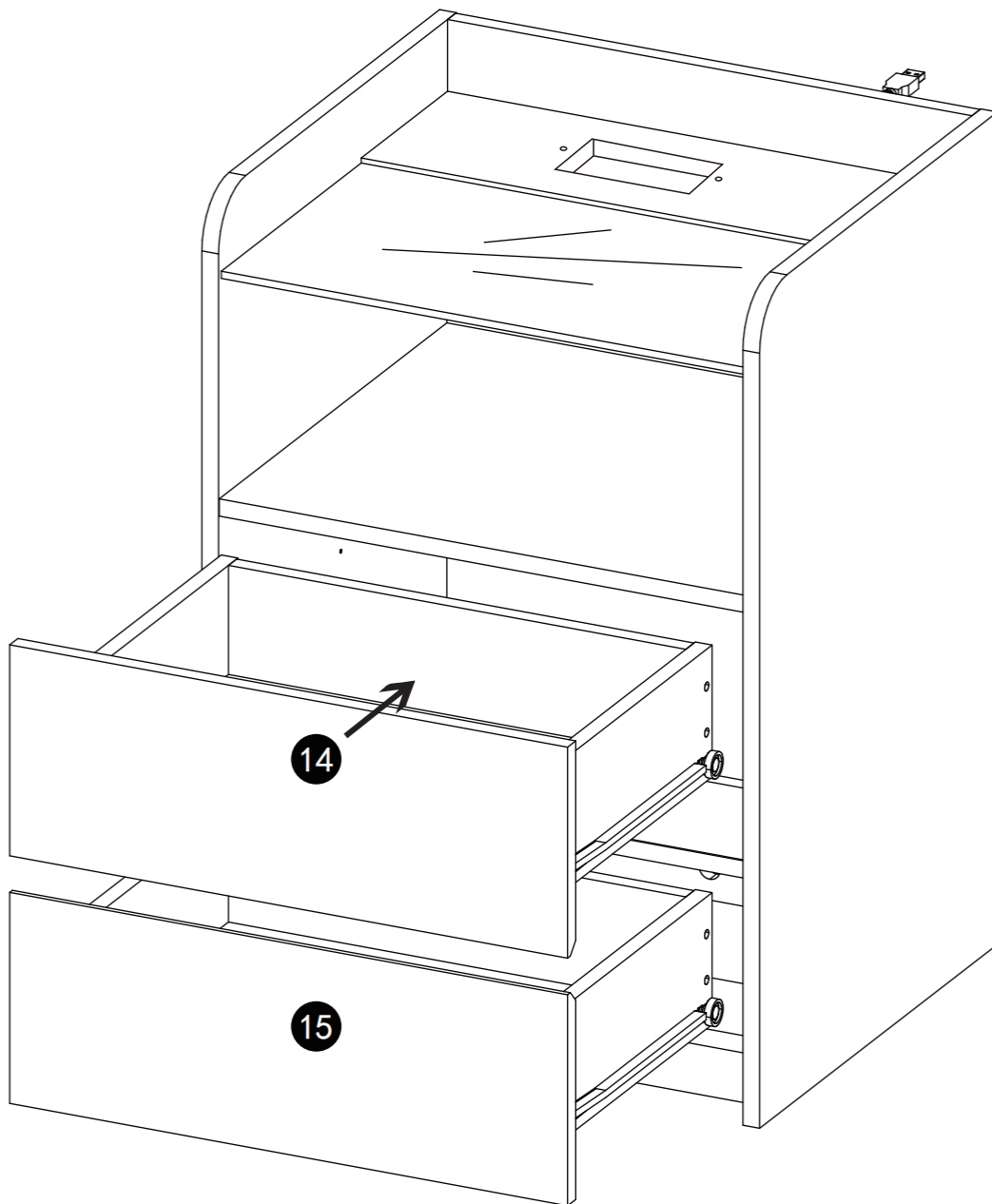
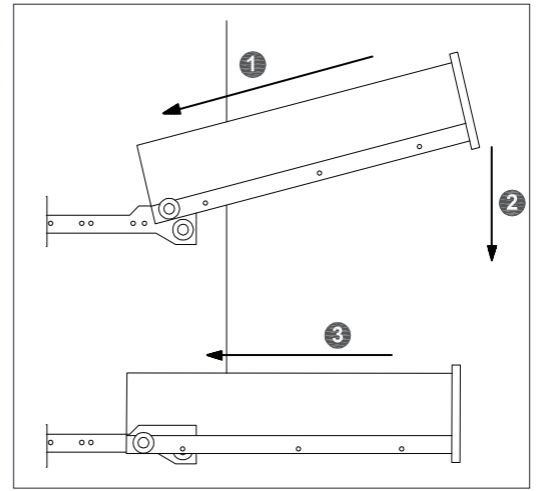
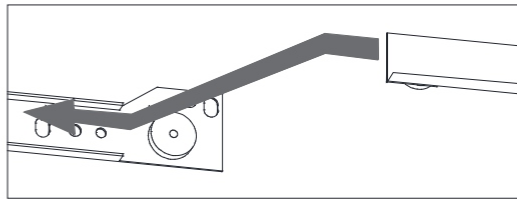
A		x9
---	---	----

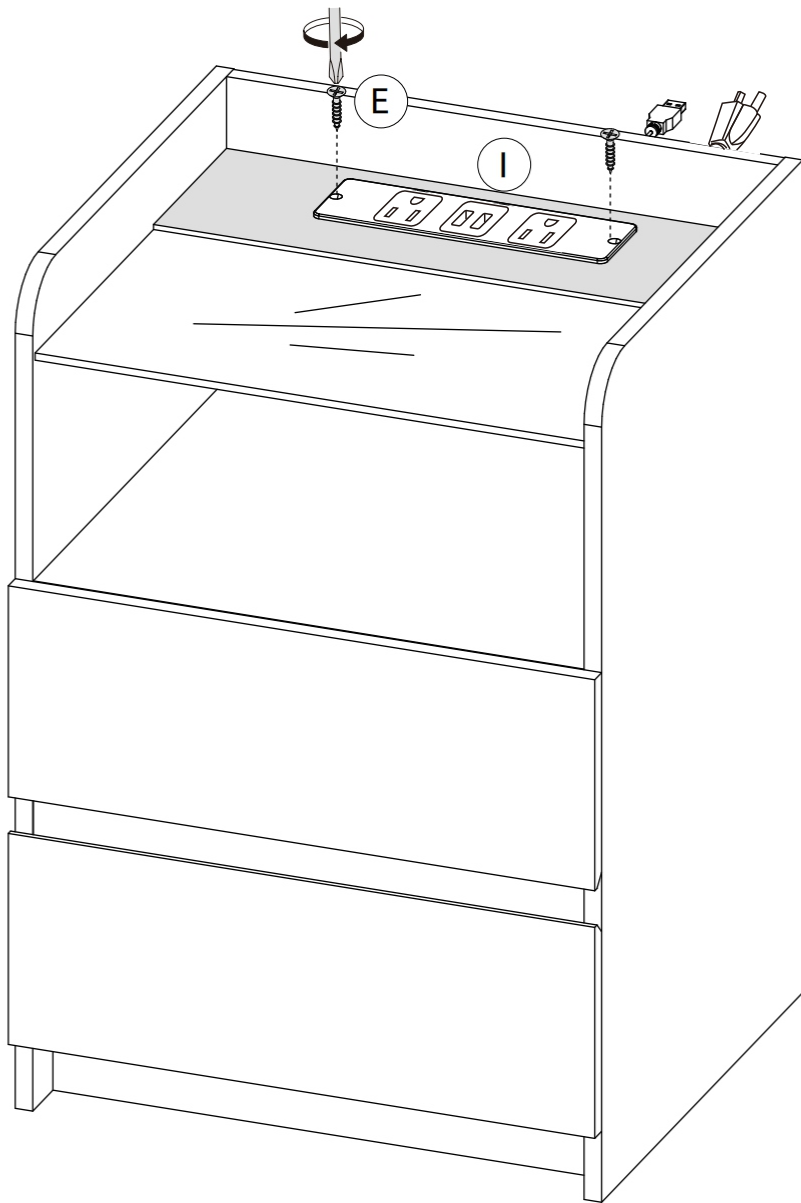
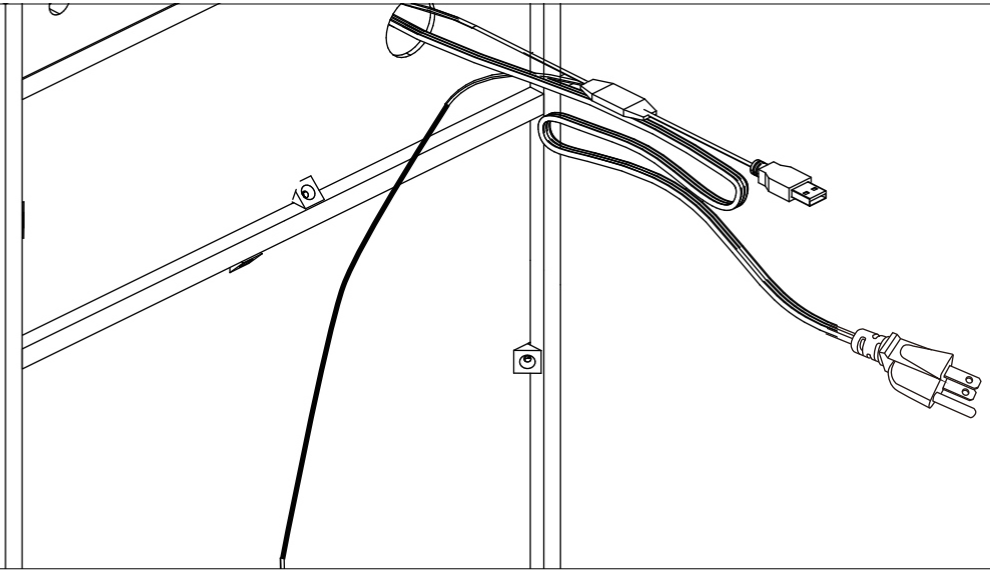
B		x9	G		x4
---	---	----	---	---	----

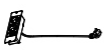



H		x8
E		x8





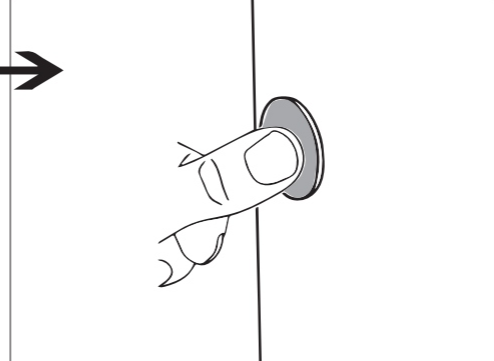
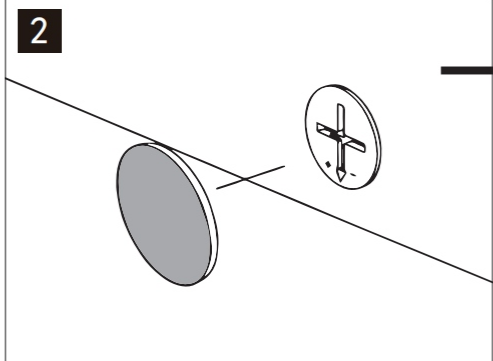
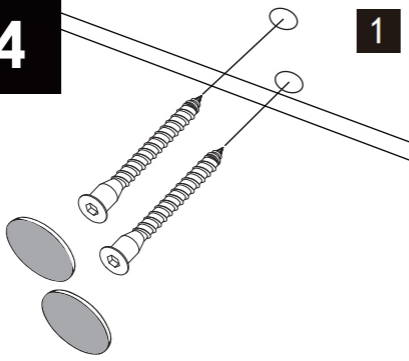


I		x1
E		x2

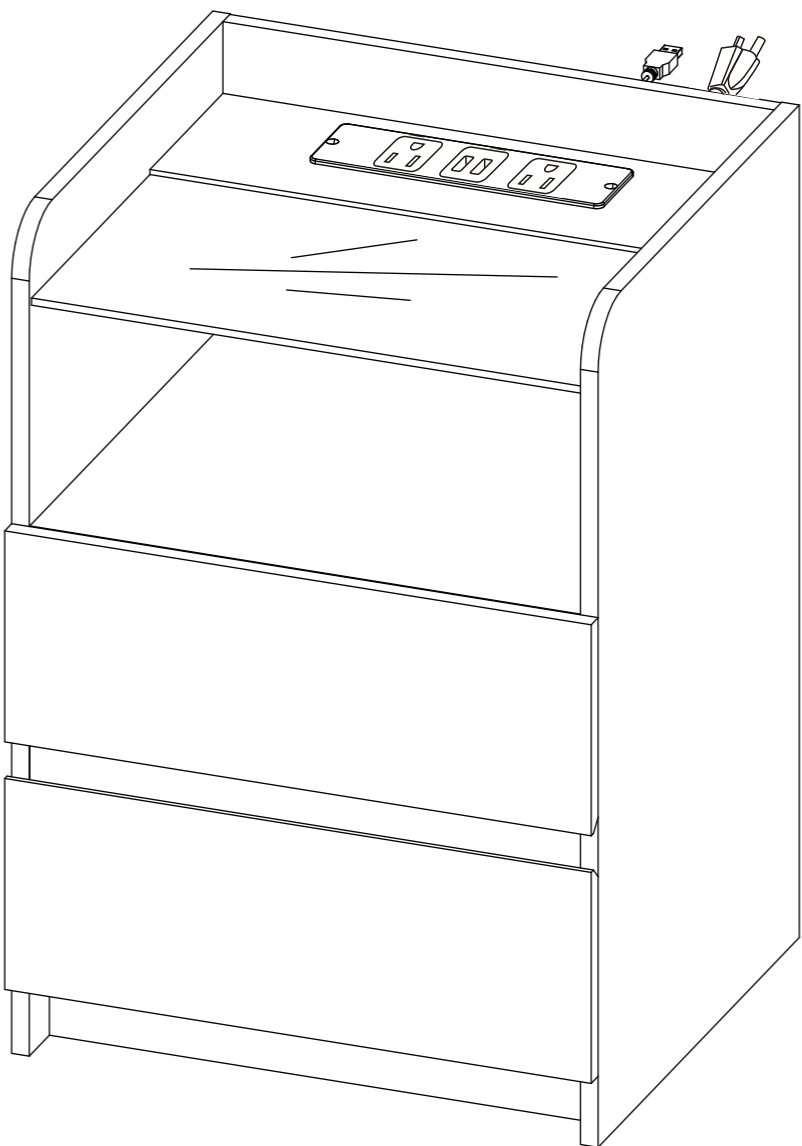
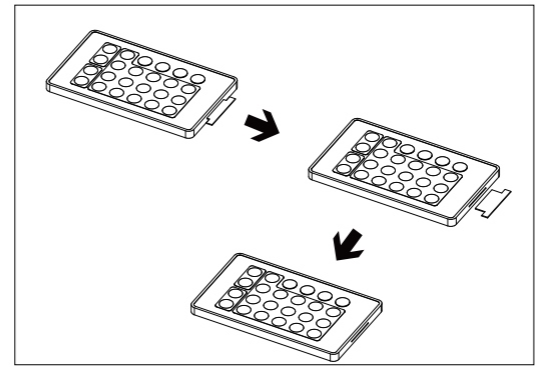
14

1

2



Add J fittings to all exposed holes on the front of the product



J		x10
---	---	-----