



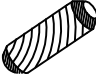


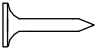
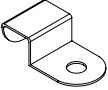


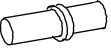





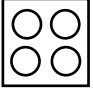


ASSEMBLY INSTRUCTIONS

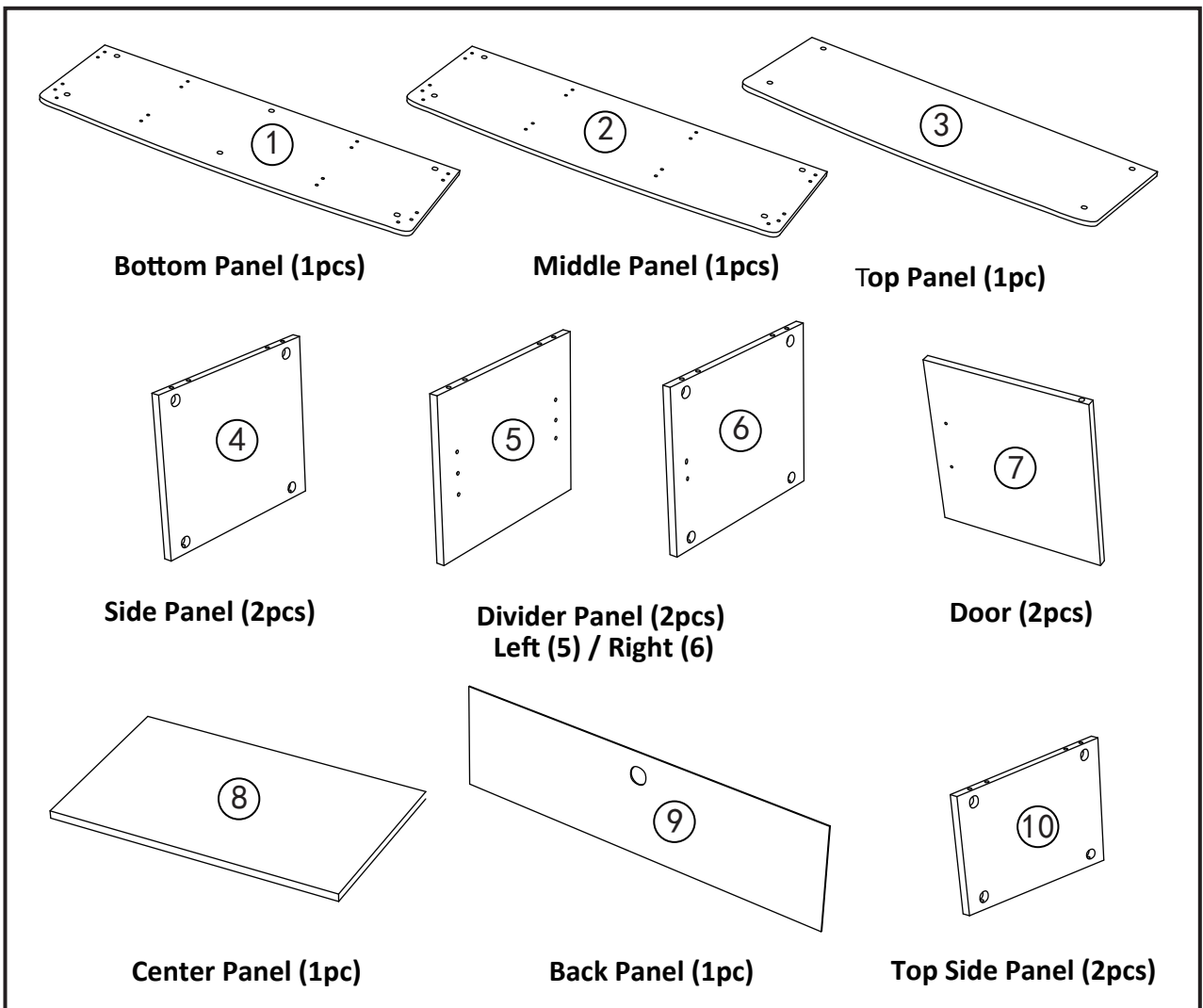
We have designed our furniture with you, the customer in mind. Our clear, easy to follow, step by step instructions will guide you through the project from start to finish. Feel confident that this will be a fun and rewarding project. The final product will be a quality piece of furniture that will go together smoothly and give years of enjoyment.



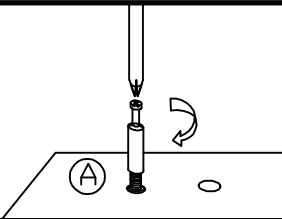
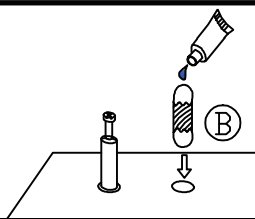
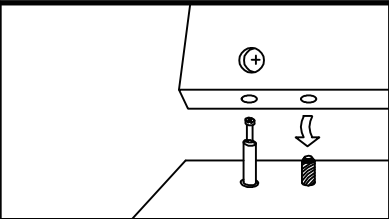
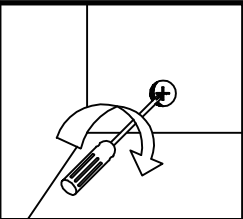
Hardware List

A 	B 	C 	D 	E 	
Cambolt (24pcs)	Camlock (24pcs)	Wood dowel (24pcs)	Handle (2pcs)	Handle Screw (4pcs)	
F 	G 	H 	I 	J 	
Nail (14pcs)	Bracket (2pcs)	Spring Insert (4pcs)	Magnet (2pcs)	Metal Pin (4pcs)	
K 	L 	M 	N 	O 	P 
Cap (4pcs)	Black Cap (10pcs)	Pole (4pcs)	Foot (6pcs)	Glue (1pcs)	Sticker (8pcs)

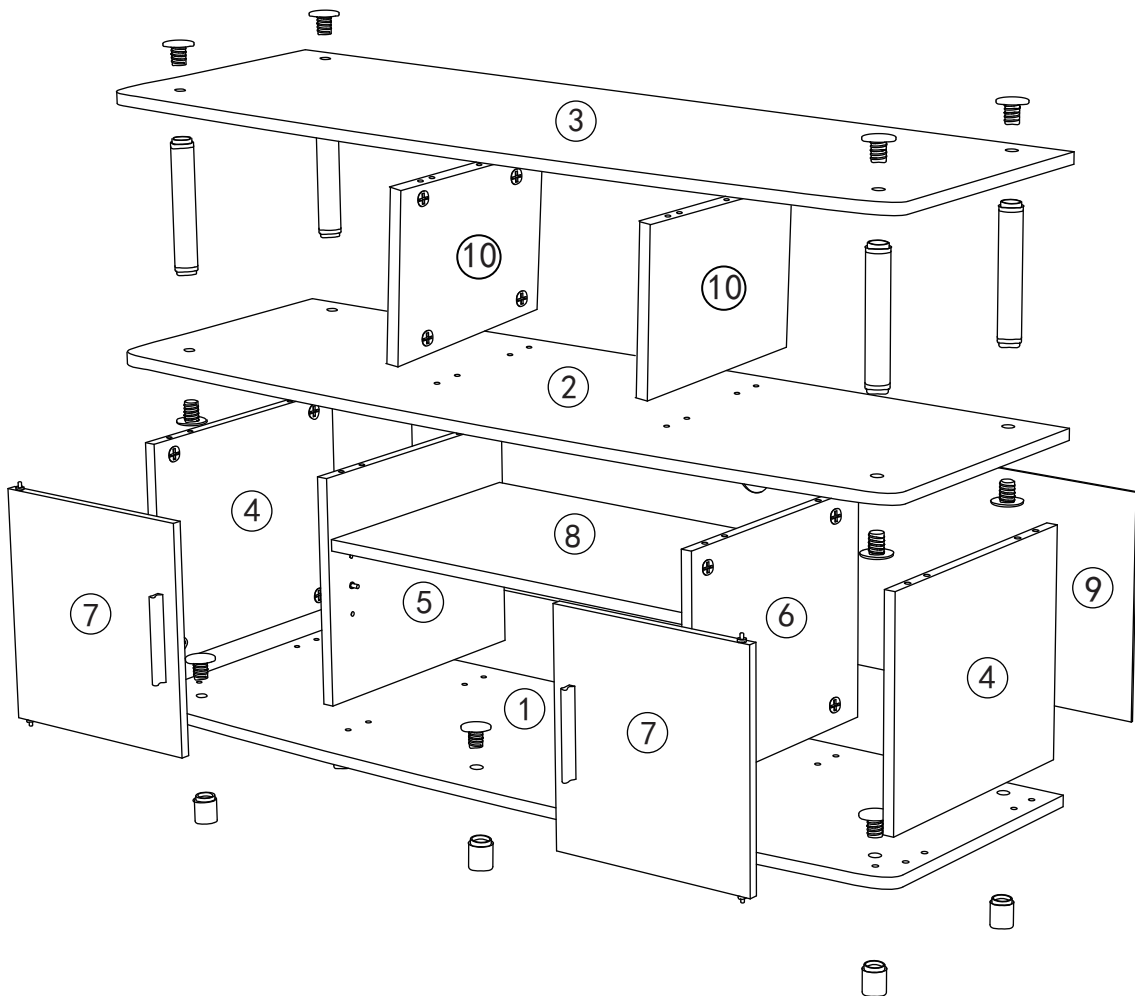
Panel List



Assembling the unit with camlocks and wood dowels.

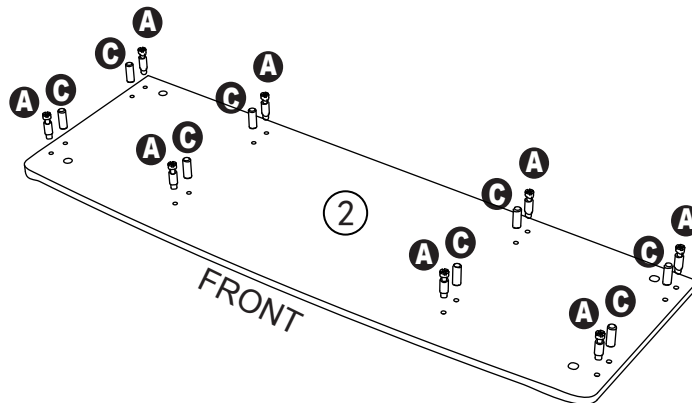
			
Gently screw cam bolt into the threaded anchor.	Lightly glue one end of the wood dowel and tap halfway into hole.	Lightly glue wood dowel and connect to second panel by inserting dowels into holes.	Screw the camlock firmly into locked position.

Hardware List



Step 4

1. Screw cambolts (A) and insert wood dowels (C) into middle panel (2) as shown .



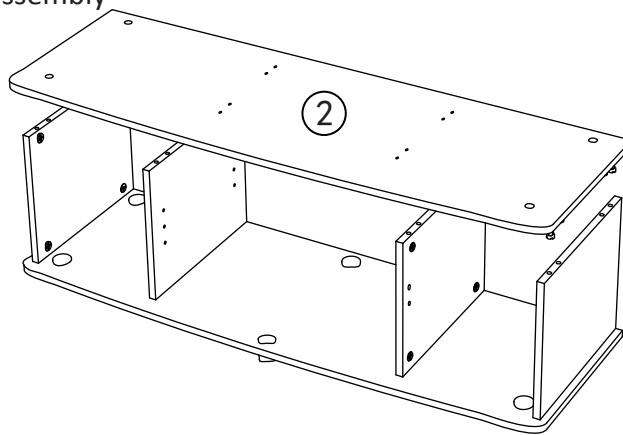
x8



x8

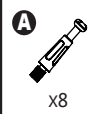
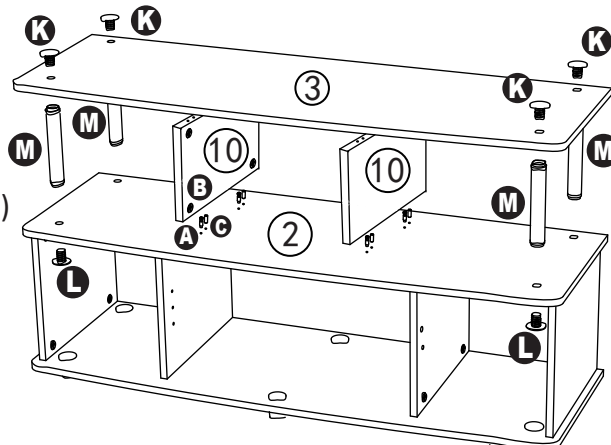
Step 5

1. Place middle panel (2) onto assembly and gently tighten camlocks.



Step 6

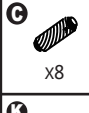
1. Screw cambolts (A) and insert wood dowels (C) into middle panel (2) .
2. Insert camlocks (B) into top side panels (10) .
3. Connect top side panels (10) to assembly and gently tighten camlocks (B) .
4. Attach poles (M) to assembly using black caps (L) .
5. Screw cambolts (A) and insert wood dowels (C) into top panel (3) .
6. Connect top panel (3) to assembly using caps (K) and gently tighten camlocks (B) .



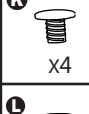
x8



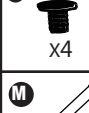
x8



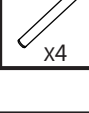
x8



x4



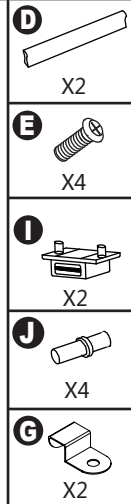
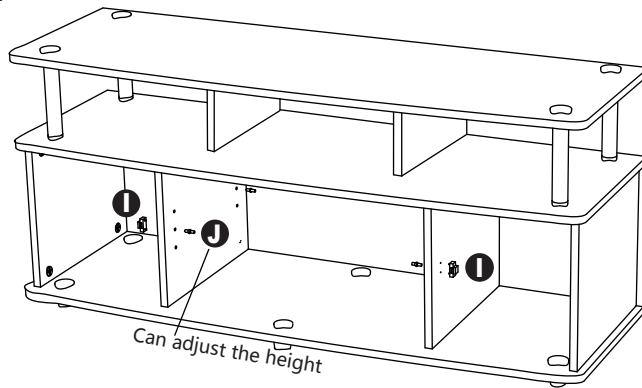
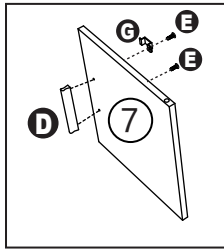
x4



x4

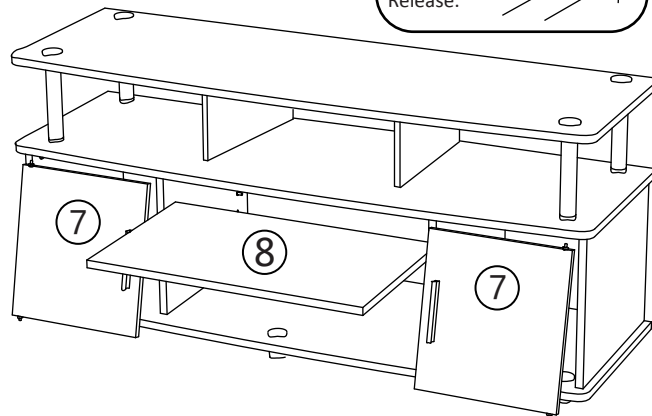
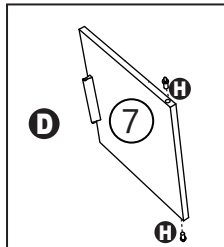
Step 7

1. Attach handle (D) to door (7) using handle screws (E) and bracket (G).
2. Repeat for second door.
3. Place metal pins (J) into divider wall holes at desired height.
4. Attach magnets (I) to divider panels (5) & (6) as shown.



Step 8

1. Insert spring pins (H) into doors (7).
2. Attach doors (7) to unit by placing one end of spring pin (H) into hole, gently compress other spring pin (H) so that it will slide into remaining holes.
3. Place center panel (8) onto metal pins.



TO ATTACH DOORS

Push door spring pins (H) down. Align with pre-drilled hole in unit. Release.



Step 9

1. Turn sample around and connect back panel (9) to unit using nails (F).
2. Cover camlocks with stickers (P).
3. Enjoy your new television console!

