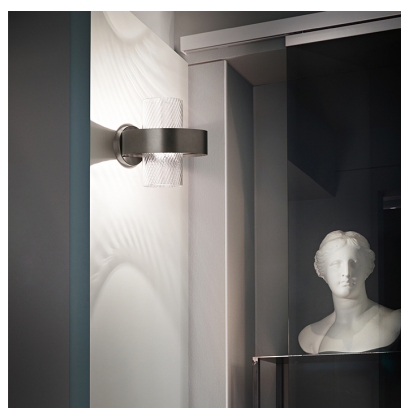


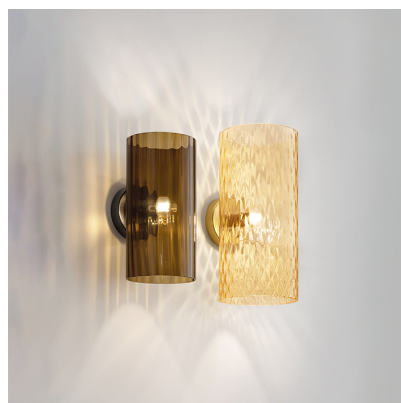
## ARMONIA

Design Francesco Lucchese

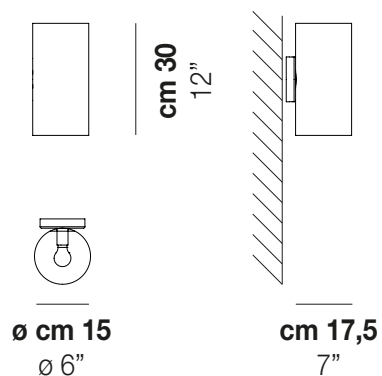
## ARMONIA AP 15



A collection with contemporary connotations that incorporates precious historical features: those of glass working such as the “balloton” and the straight and twisted “rigadin”. The collection is completed by a large new suspension in which the oval frame supports four colored and textured cylinders in pure crystal and four new wall versions.



## ARMONIA AP 15



### TECHNICAL DATA:



### CERTIFICATIONS:

### LIGHT SOURCES

1x40W 120V 60HZ E12

VOLUME Mc 0,05  
GROSS WEIGHT Kg 3,5  
NET WEIGHT Kg 2,2

download



### SHADE FINISHING

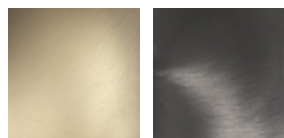


CRRV

FURV

TBRV

### FRAME FINISHING

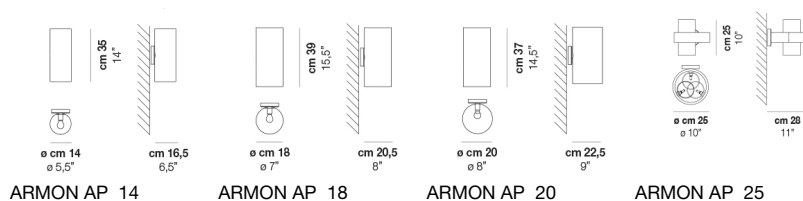


BKS

NNS

### OTHER VERSION AVAILABLE

Click on the version to go to the web version of the product



ARMON AP 14

ARMON AP 18

ARMON AP 20

ARMON AP 25