

INSTRUCTION MANUAL

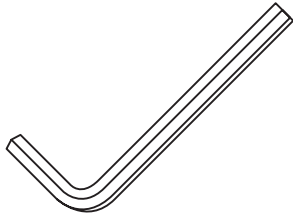
BEFORE INSTALLATION

- Please list all parts as below first to check if any part is missing and make assembly easier.
- Do be careful that some parts are heavy and sharp.
- Please follow the assembly steps to install the product, if you find spare parts left, don't be worried, the left spare parts are prepared for bad ones if occurred.
- Please fully tighten all screws only when they are in place.
- Please do not exceed the bearing limitations of the product.
- Reconfirm that all bolts, screws, and knobs are secure every 90 days.
- Please retain these instructions for future reference.

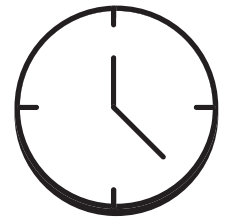
Q: How to prolong the service life of this item?

A: When it is stained with dusts, oil or sweat, please wipe with a damp cloth. You'd better use a cover when it is out of use.

BEFORE ASSEMBLY NOTICE



2 persons



40min assembly

PART LIST (NOT SHOW ACTUAL SIZE)

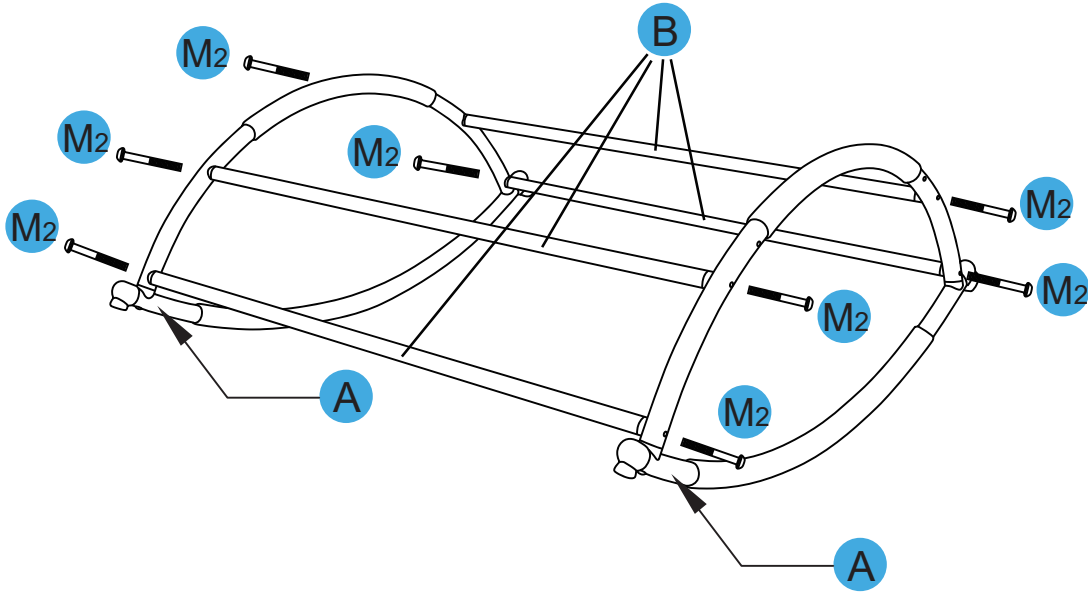
A	X2	B	X4	CL	X1	CR	X1
DL	X1	DR	X1	EL	X1	ER	X1
FL	X1	FR	X1	G	X1	H	X2
J	X1	I	X2	K	X1	L	X1

HARDWARE LIST (NOT SHOW ACTUAL SIZE)

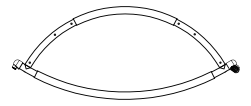
M1	X4	M2	X8	M3	X4	M4	X2
M6X45		M8X56		M8X85		M6X30	
N	X4						

ASSEMBLY STEPS (NOT SHOW ACTUAL SIZE)

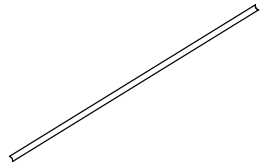
STEP 1



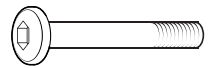
A X2



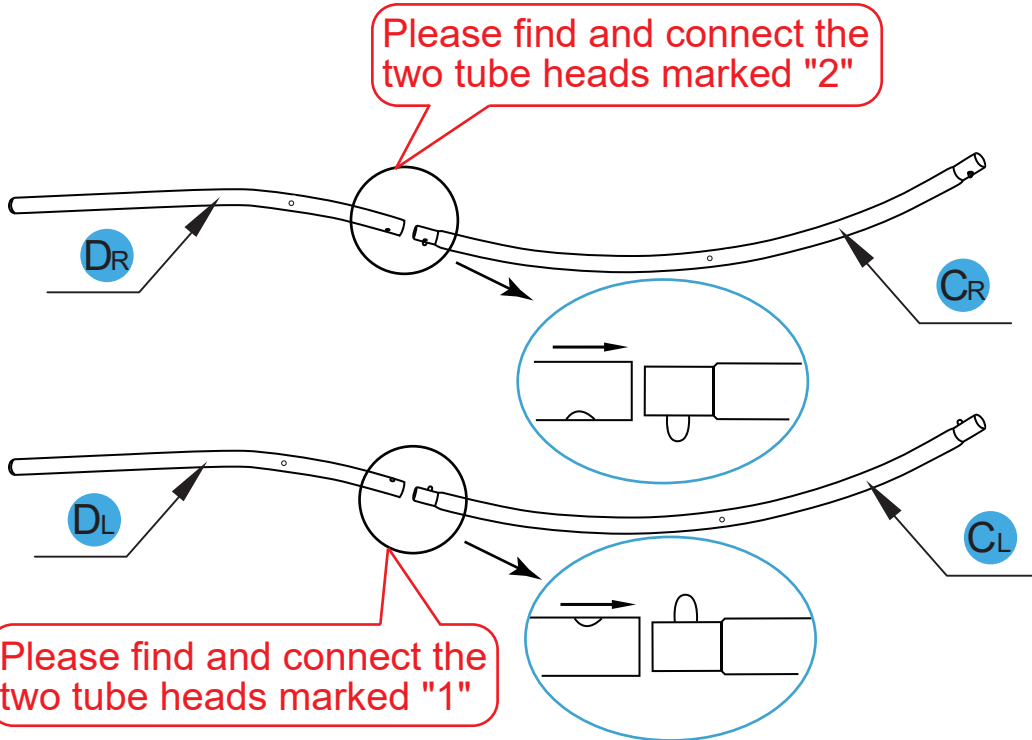
B X4



M2 X8



STEP 2



CL X1



CR X1



DL X1

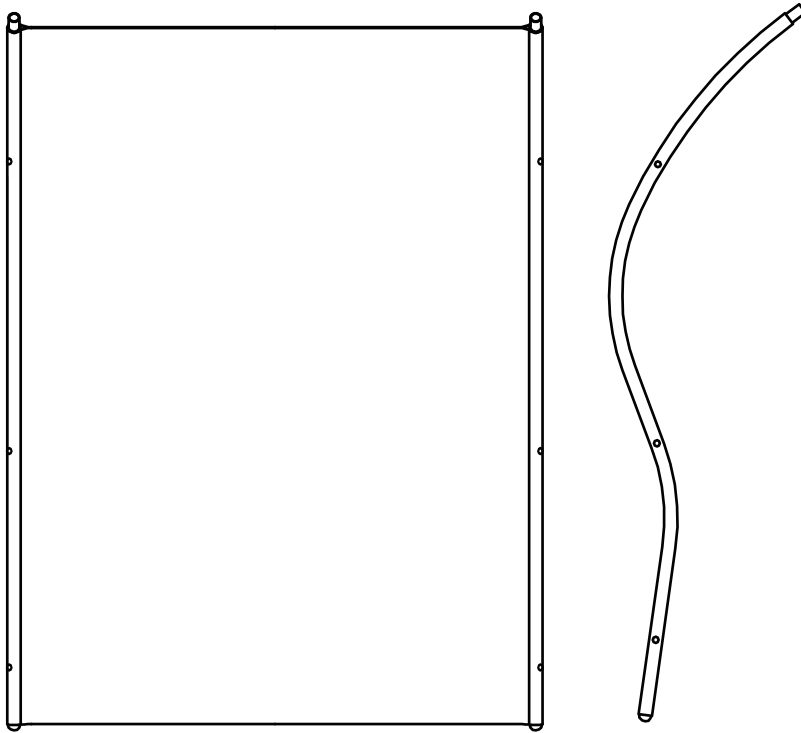


DR X1



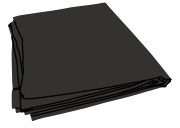
ASSEMBLY STEPS (NOT SHOW ACTUAL SIZE)

STEP 3

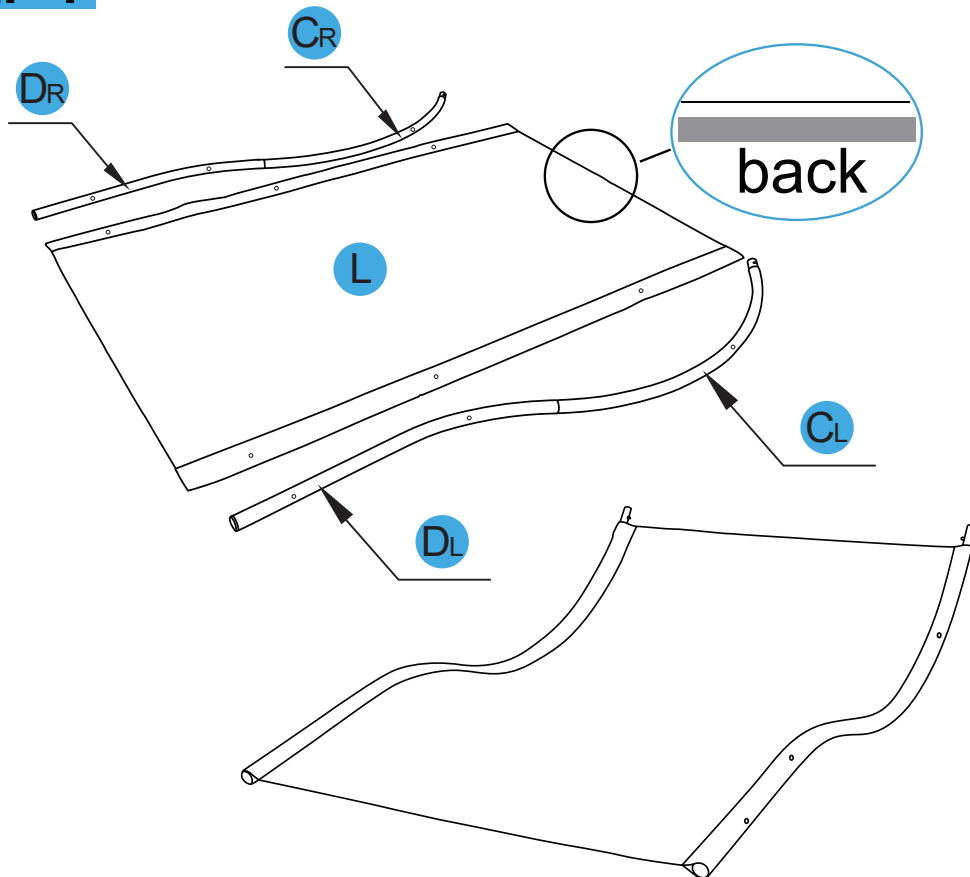


L

X1

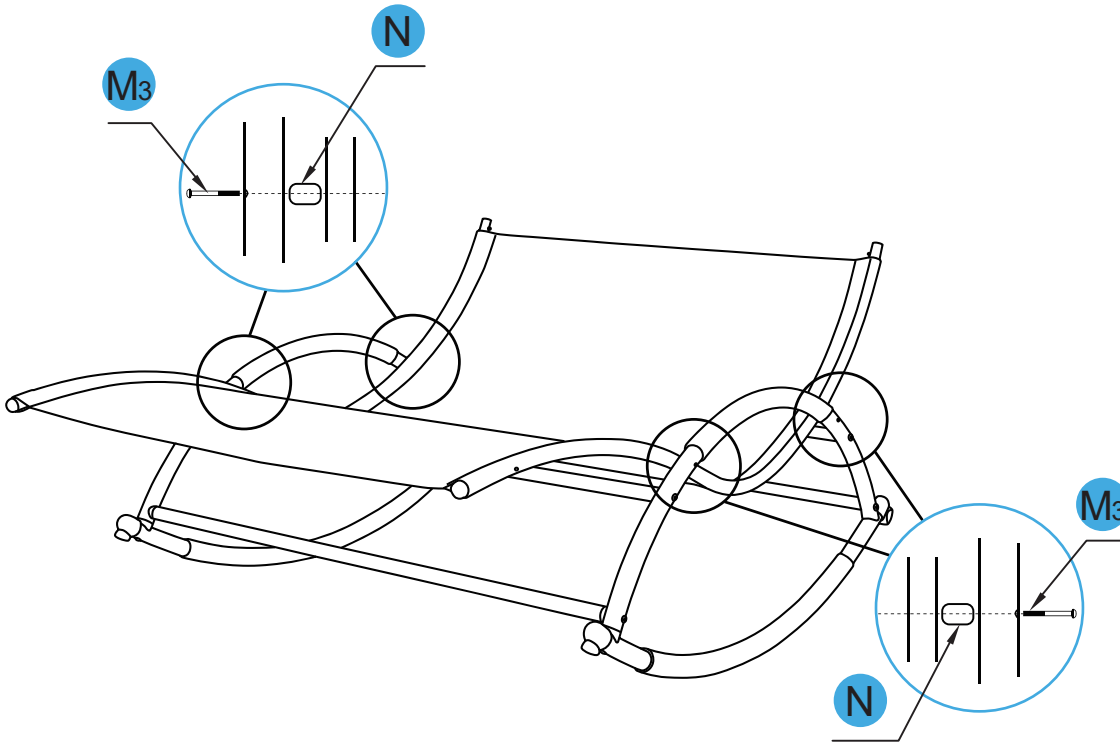


STEP 4

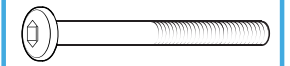


ASSEMBLY STEPS (NOT SHOW ACTUAL SIZE)

STEP 5 ★ Please put screws in both sides then tighten them



M3 X4



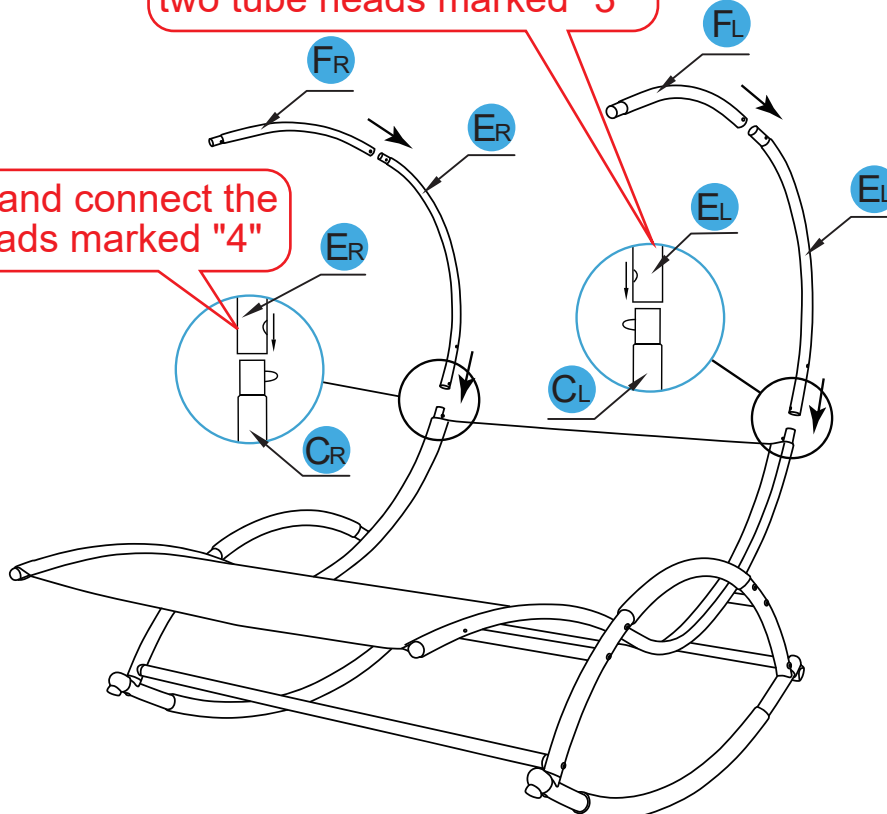
N X4



STEP 6

Please find and connect the two tube heads marked "3"

Please find and connect the two tube heads marked "4"



EL X1



ER X1



FL X1

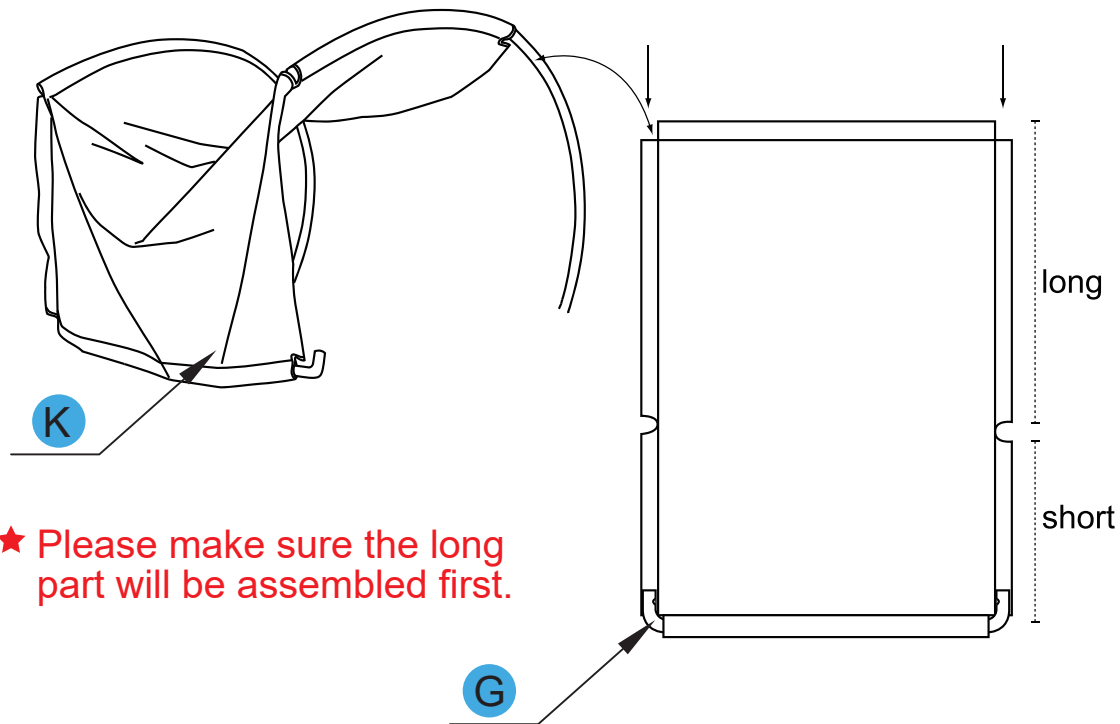


FR X1



ASSEMBLY STEPS (NOT SHOW ACTUAL SIZE)

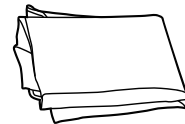
STEP 7



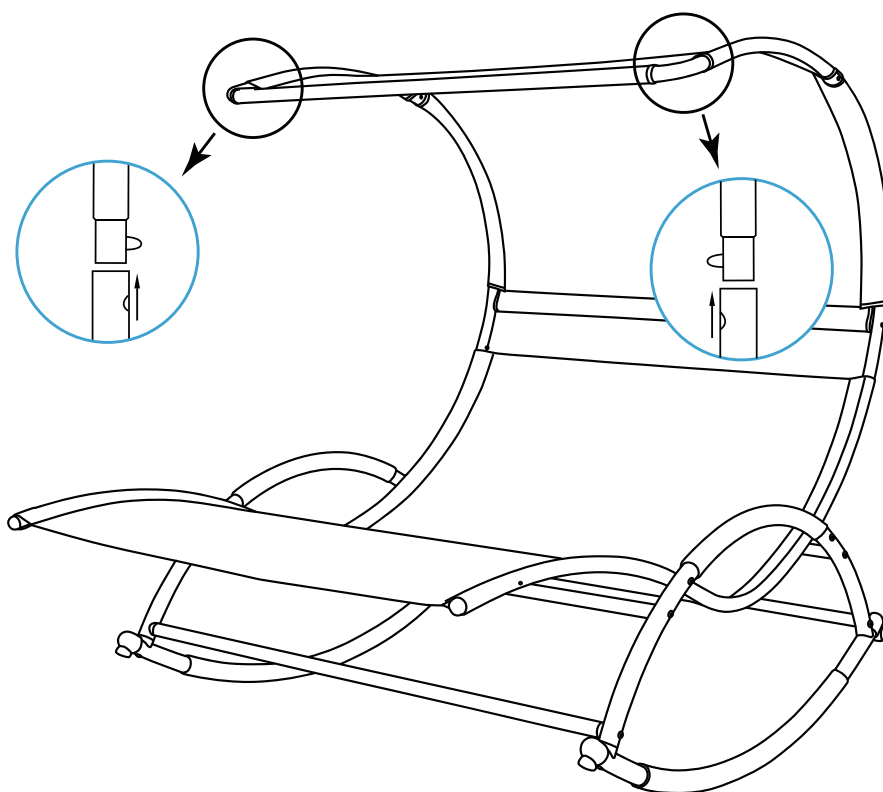
G X1



K X1

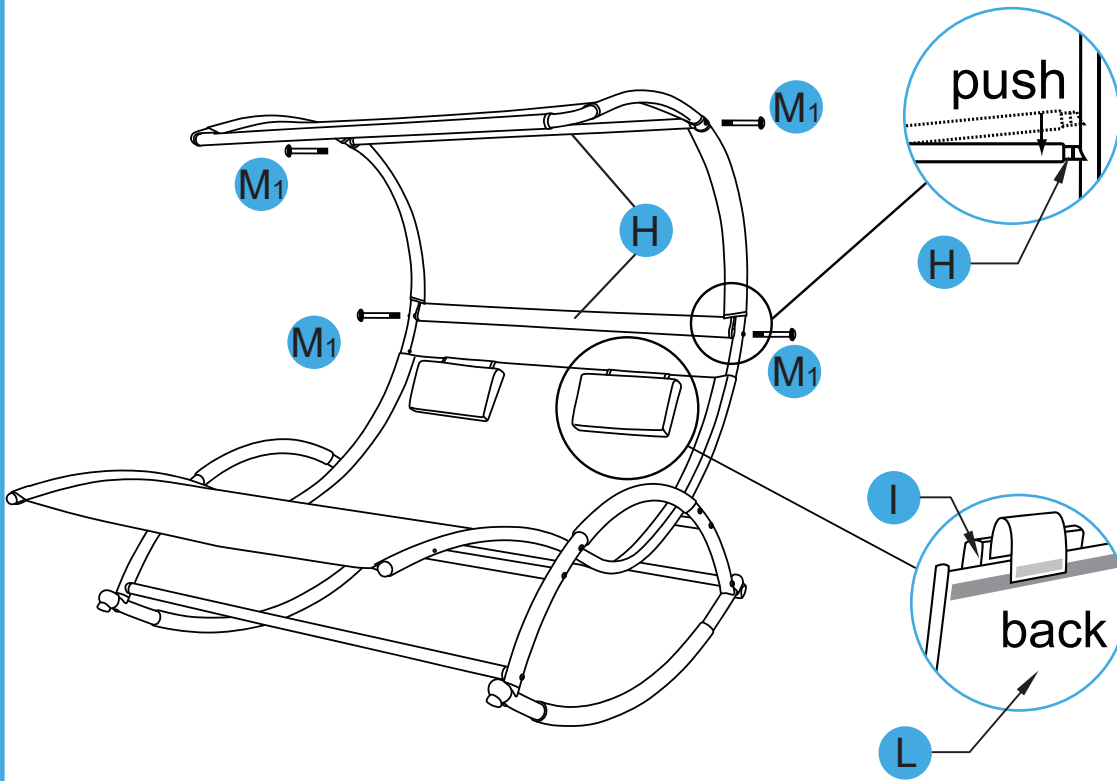


STEP 8



ASSEMBLY STEPS (NOT SHOW ACTUAL SIZE)

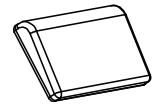
STEP 9



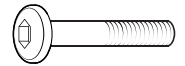
H X2



I X2

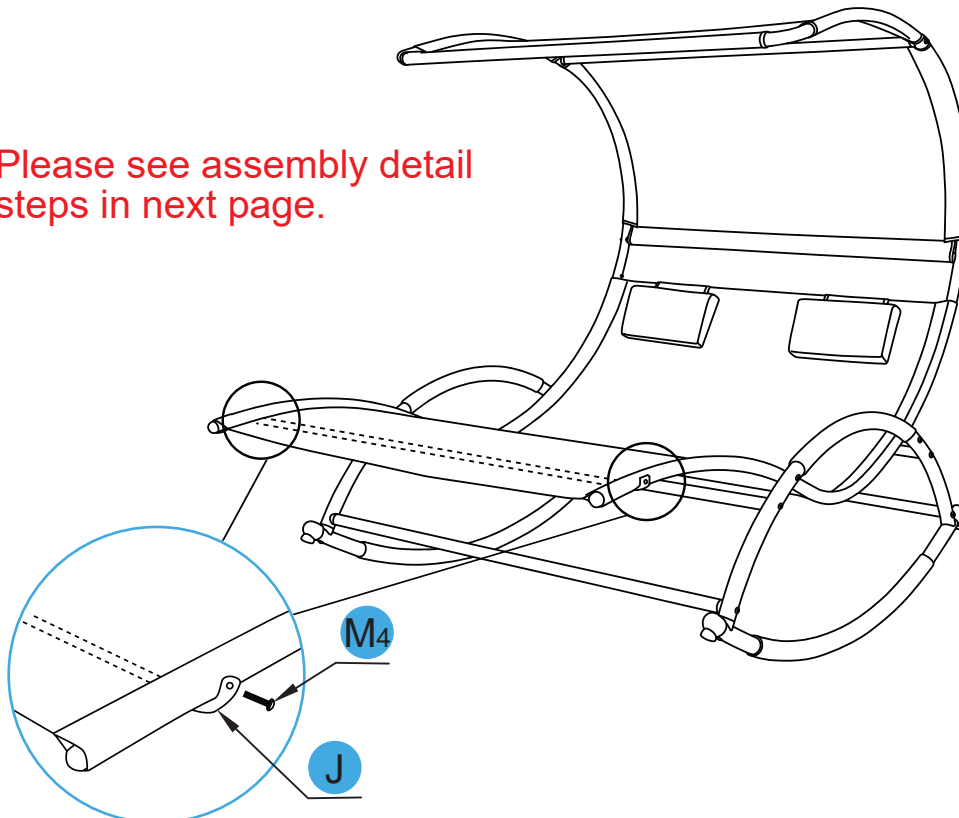


M1 X4



STEP 10

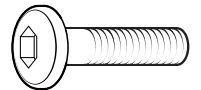
★ Please see assembly detail steps in next page.



J X1

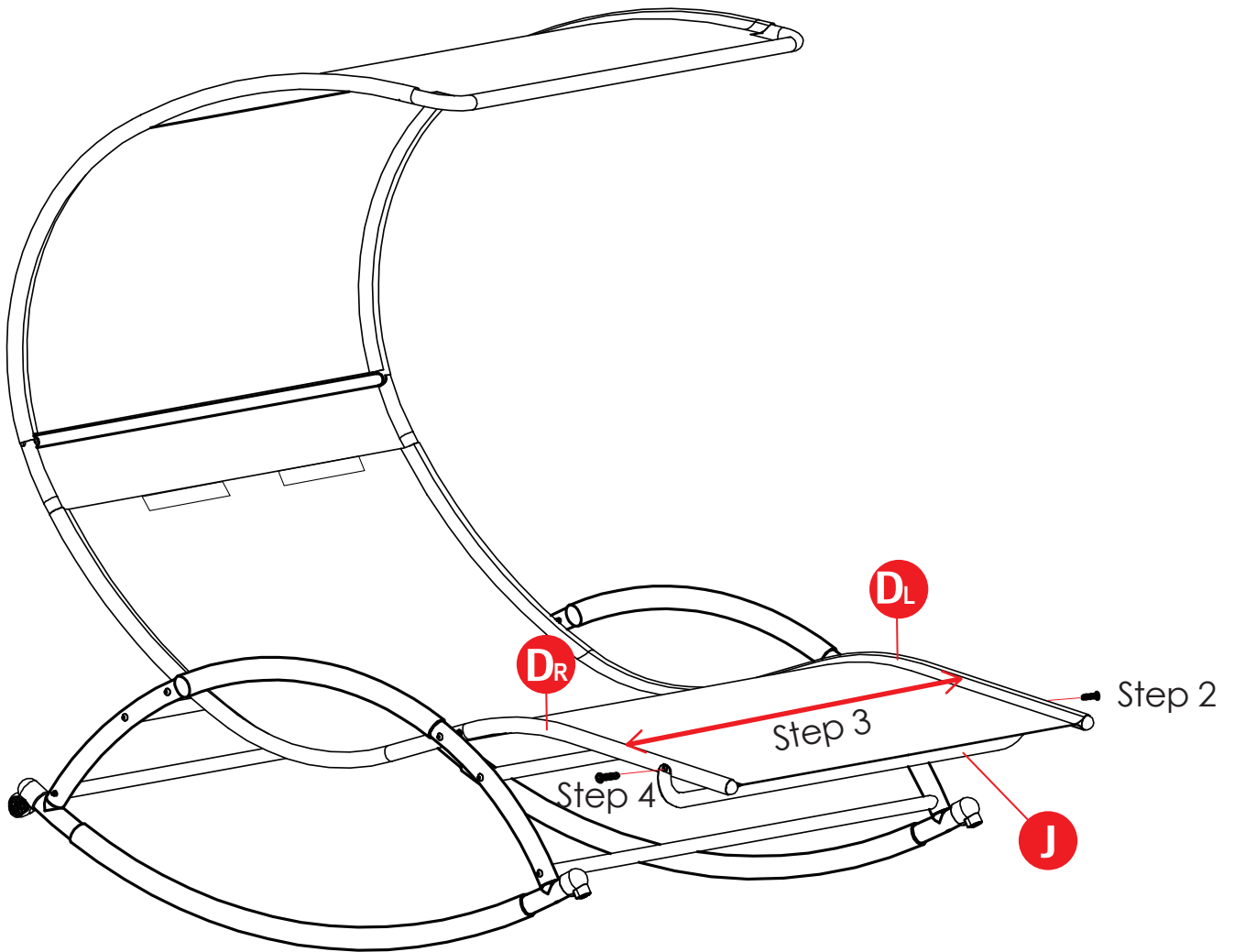


M4 X2



ASSEMBLY STEPS (NOT SHOW ACTUAL SIZE)

STEP 11



Step 1. The part "J" is used to support the front area of the seat and to make sure the fabric is tight. So it is a little longer than the seat width. It is recommended working with 2 people.

Step 2. Screw one side of "J" first (do not tighten it).

Step 3. Then pull the two tubes (DR and DL) towards opposite directions to help the other side of "J" reach the screw hole and put in the screw.

Step 4. At last, please tighten screws on both sides.

CARE & MAINTENANCE

- Do not put hot items directly on furniture surface.
- Do not clean furniture with harsh cleansers or polish.
- To obtain the longest lifespan of your products, minimizing exposure to direct sunlight is recommended.
- Children should not climb or jump on the furniture.
- Do not write on furniture without a padded barrier to protect the surface.
- Stains may be removed with mild soap solution and damp cloth.
- Keep away from sources of ignition.

PRODUCT WARRANTY INFORMATION

All items can be returned for any reason within 30 days since purchase date and will receive a full refund as long as the item is returned in its original product packaging and all accessories from its original shipment are included. All returned items will receive a full refund back to the original payment method. All returned items will be charged a re-stocking fee, \$10 per piece.

All returns must be shipped back to our warehouse at the customer's expense. If the reason for return is a result of an error by us, then we will provide a prepaid shipping label via email. Boxes for return shipping will not be provided by us, and is the customer's responsibility to either use the original shipping boxes or purchase new Boxes.

Pictures may be required for some returns to ensure an item is not damaged prior to its return. Items returned are not considered undamaged until they are received by us and verified as such.

All damages to items are the customer's responsibility until the item has been received by and acknowledge by us as undamaged.

WARNING

The seller and manufacturer will not be liable for any personal injury, property damage or loss, which result from the incorrect assembly, improper use, inadequate maintenance, or neglect of the product. Whether it's direct, indirect, or incidental.