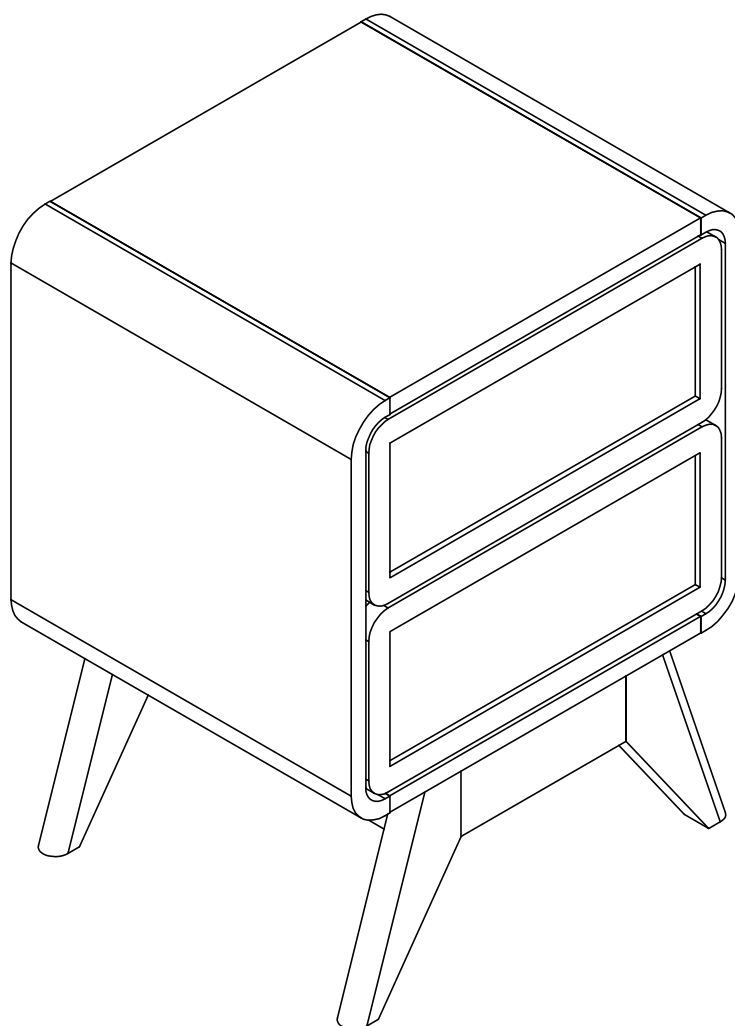


# Installation Instruction



# Assembling

---

Estimated time for assembly

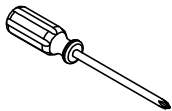


**45 : 00**

---

## What you need

- Use the packaging carton as a working surface to prevent product damage during assembly
- Phillips head screwdriver



## Weight Limitation



**100** | **35**  
lbs table top      lbs per

---

# What' included

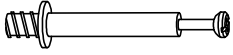
---

| Code | Description                 | Qty |
|------|-----------------------------|-----|
| A    | Cam Bolt M6X35MM            | 38  |
| B    | Cam Lock 15X10MM            | 38  |
| C    | Wooden Dowel M8X30MM        | 10  |
| D    | Screw M4X40MM               | 10  |
| E    | Door Rebound Device Holder  | 2   |
| F    | MATS                        | 4   |
| G    | Nylon Strap                 | 2   |
| H    | Screw M3.0X14MM             | 30  |
| I    | Door Rebound Device         | 2   |
| J    | Ilastic Angle code          | 8   |
| K    | Anchor                      | 2   |
| L    | Circular hole Decals        | 16  |
| CL   | Left mother extended orbit  | 2   |
| CR   | Right mother extended orbit | 2   |
| DL   | Left public extension track | 2   |
| DR   | Right public extends track  | 2   |

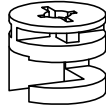
---

# The Hardwares

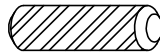
(A)



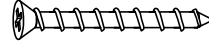
(B)



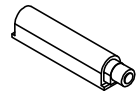
(C)



(D)



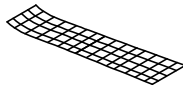
(E)



(F)



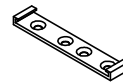
(G)



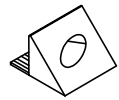
(H)



(I)



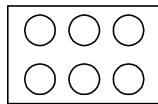
(J)



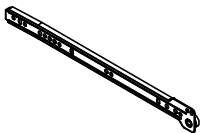
(K)



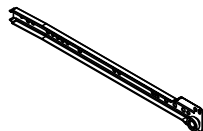
(L)



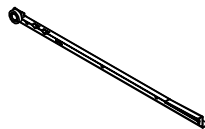
(CL)



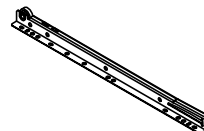
(CR)



(DL)



(DR)



## IMPORTANT:

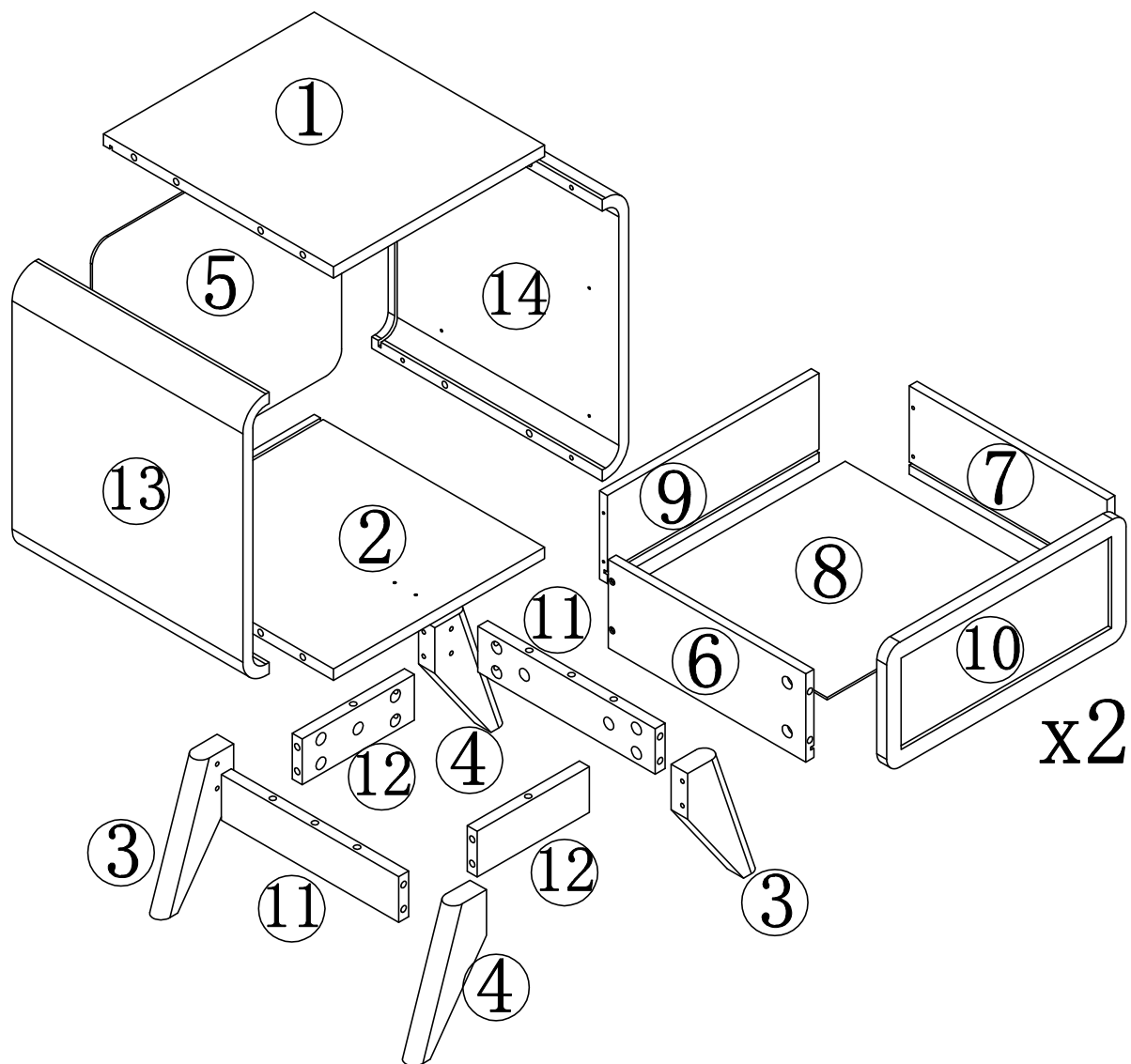
1. Do not tighten bolts / screws completely until all bolts / screws are lined up and inserted into holes.
2. Do not over tighten screws and bolts to avoid stripping
3. Please use hand tools to assemble this product. Do not use power tools.

# Included Accessories

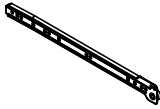


---

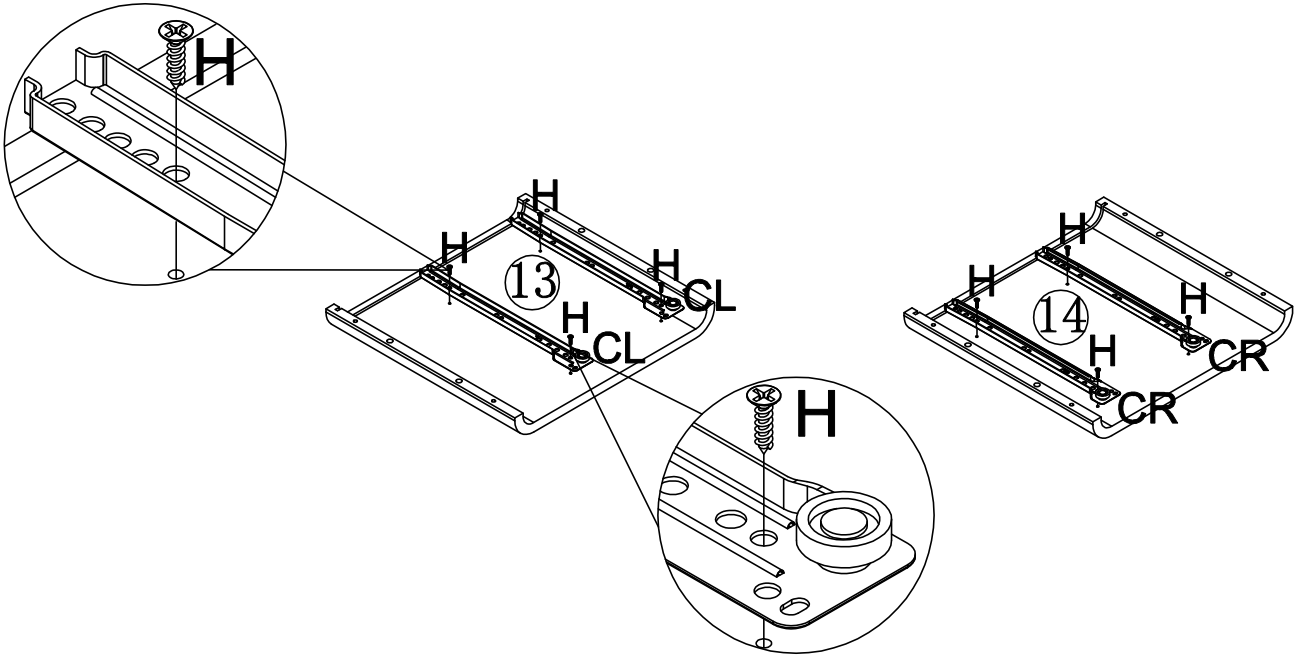
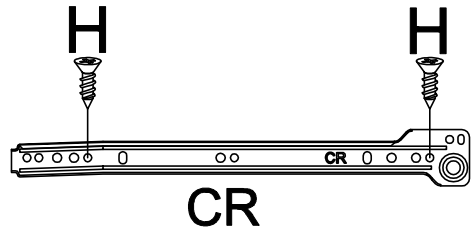
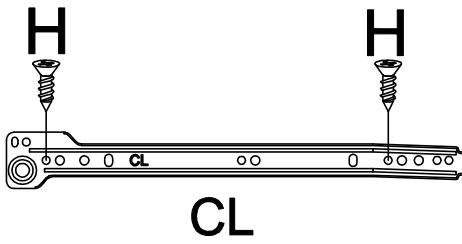
| Code | Description                   | Qty |
|------|-------------------------------|-----|
| 1    | Cabinet Top                   | 1   |
| 2    | Bottom Panel                  | 1   |
| 3    | Solid wood foot               | 2   |
| 4    | Solid wood foot               | 2   |
| 5    | Upper back plate              | 1   |
| 6    | Drawer left panel             | 2   |
| 7    | Drawer right side panel       | 2   |
| 8    | The drawer bottom             | 2   |
| 9    | After the drawer board        | 2   |
| 10   | The drawer face               | 2   |
| 11   | Left and right vertical plate | 2   |
| 12   | Vertical front and rear plate | 2   |
| 13   | Left Side Panel               | 1   |
| 14   | FRight Side Panel             | 1   |

# The Accessoriess

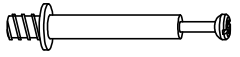


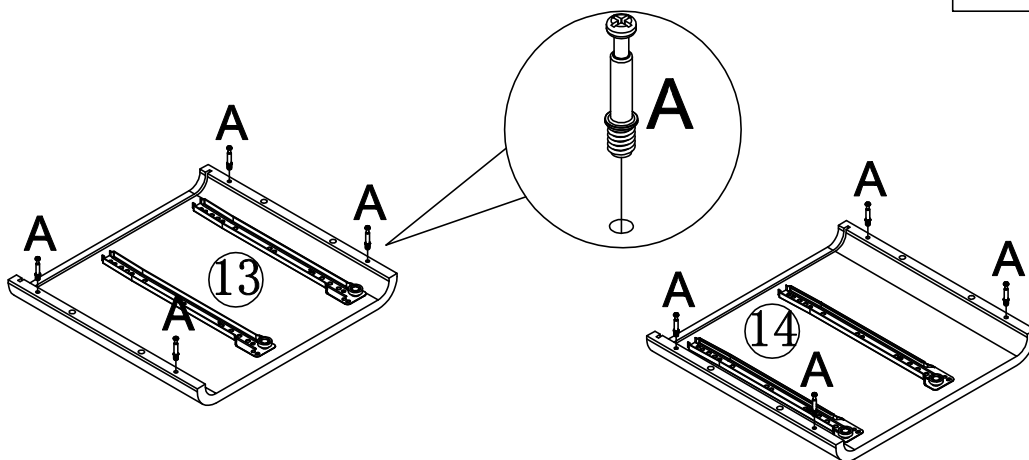
# Step 1

|   |    |   |    |   |    |
|---|----|---|----|---|----|
| CL  | ×2 | CR  | ×2 | H   | ×8 |
|  |    |  |    |  |    |

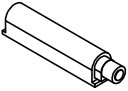

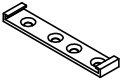


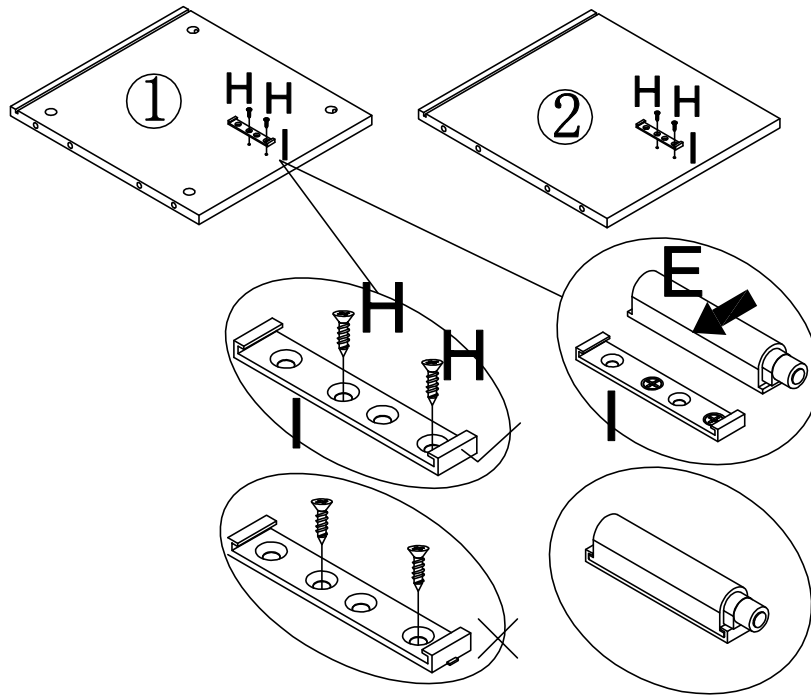
# Step 2

|   |    |
|---|----|
| A   | ×8 |
|  |    |

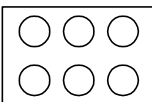

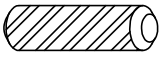


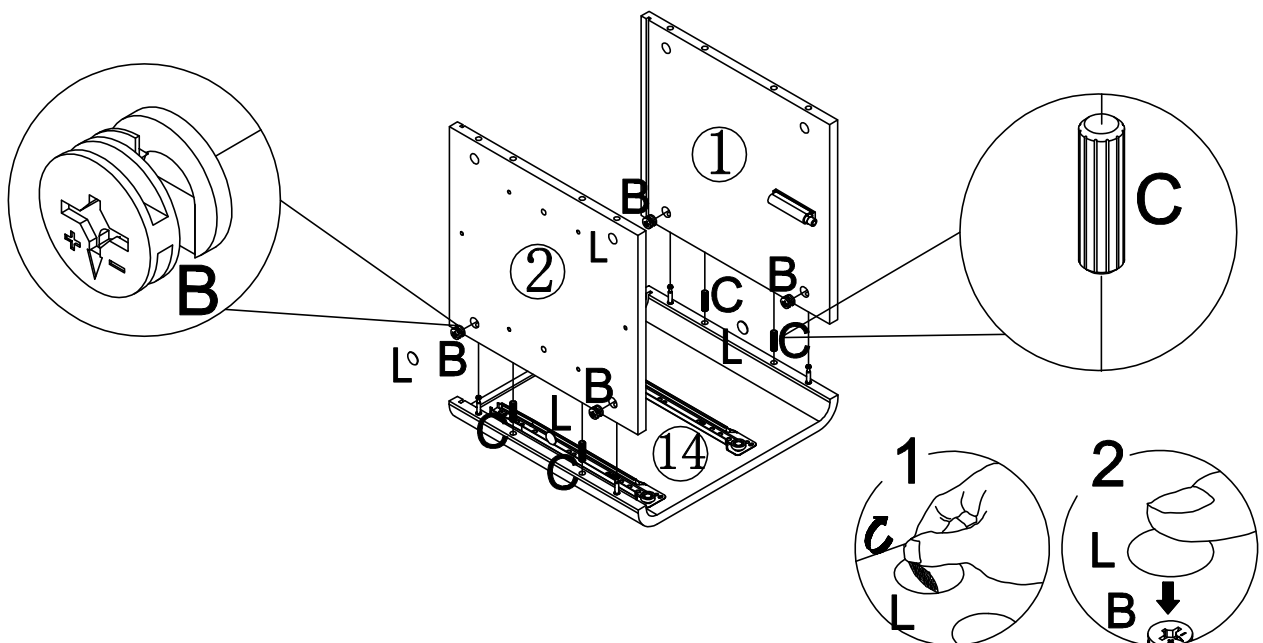
# Step 3

|   |    |   |    |   |    |
|---|----|---|----|---|----|
| <b>E</b>  | X2 | <b>H</b>  | X4 | <b>I</b>  | X2 |
|  |    |  |    |  |    |

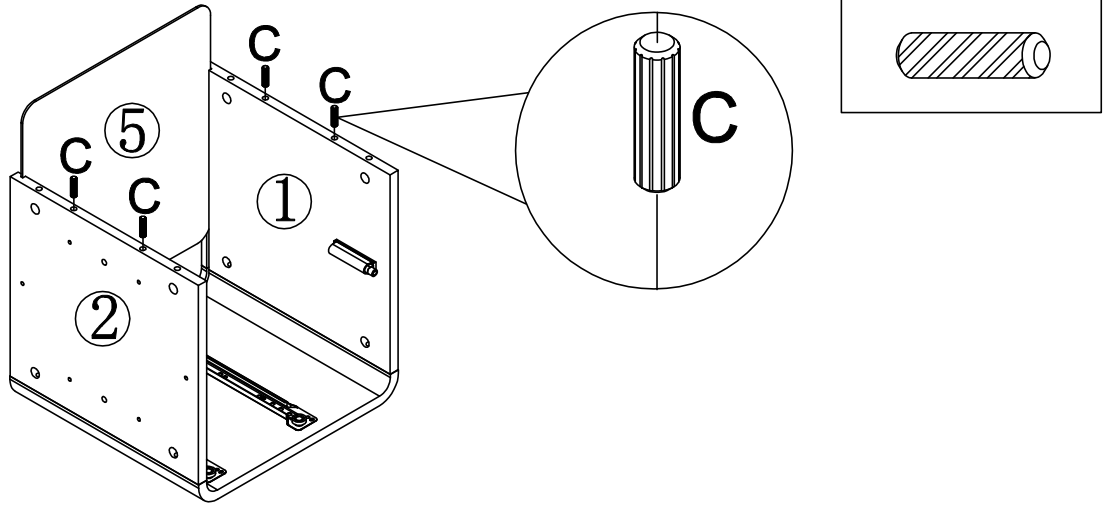


# Step 4

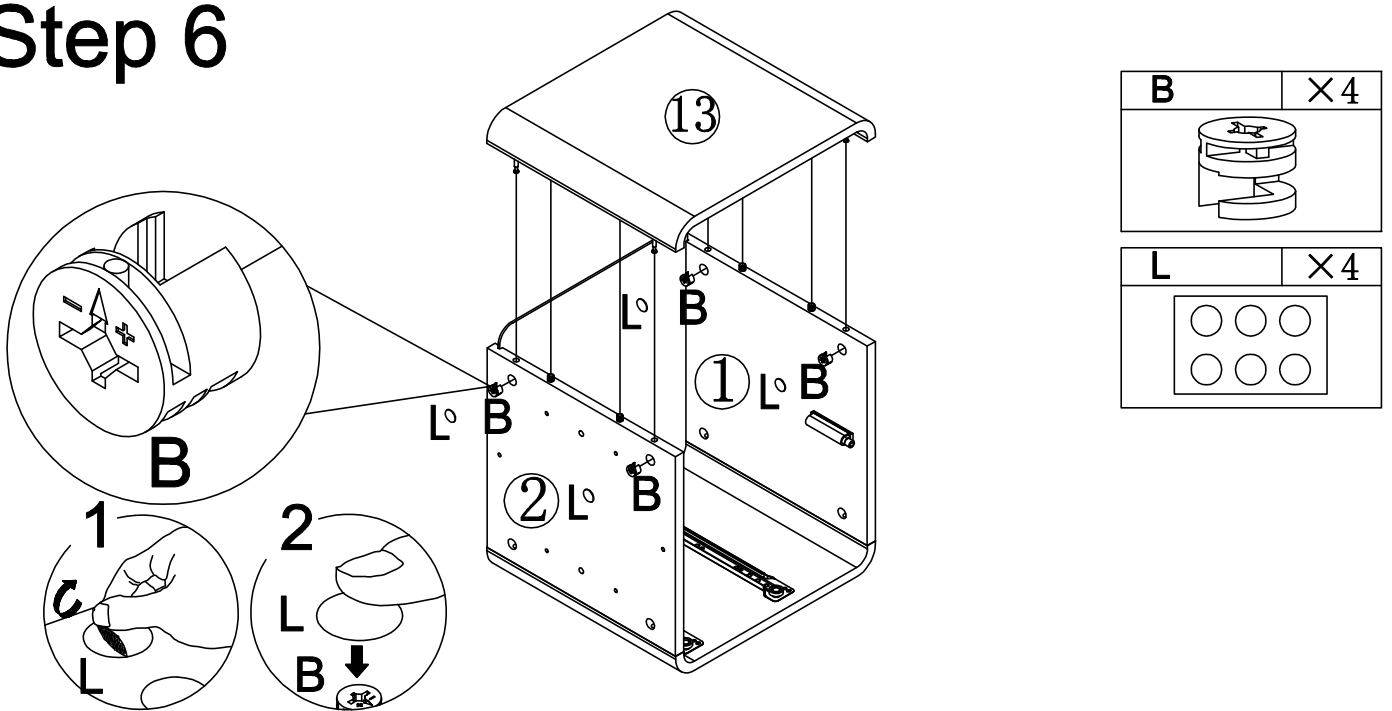
|   |    |   |    |   |    |
|---|----|---|----|---|----|
| <b>L</b>  | X4 | <b>B</b>  | X4 | <b>C</b>  | X4 |
|  |    |  |    |  |    |



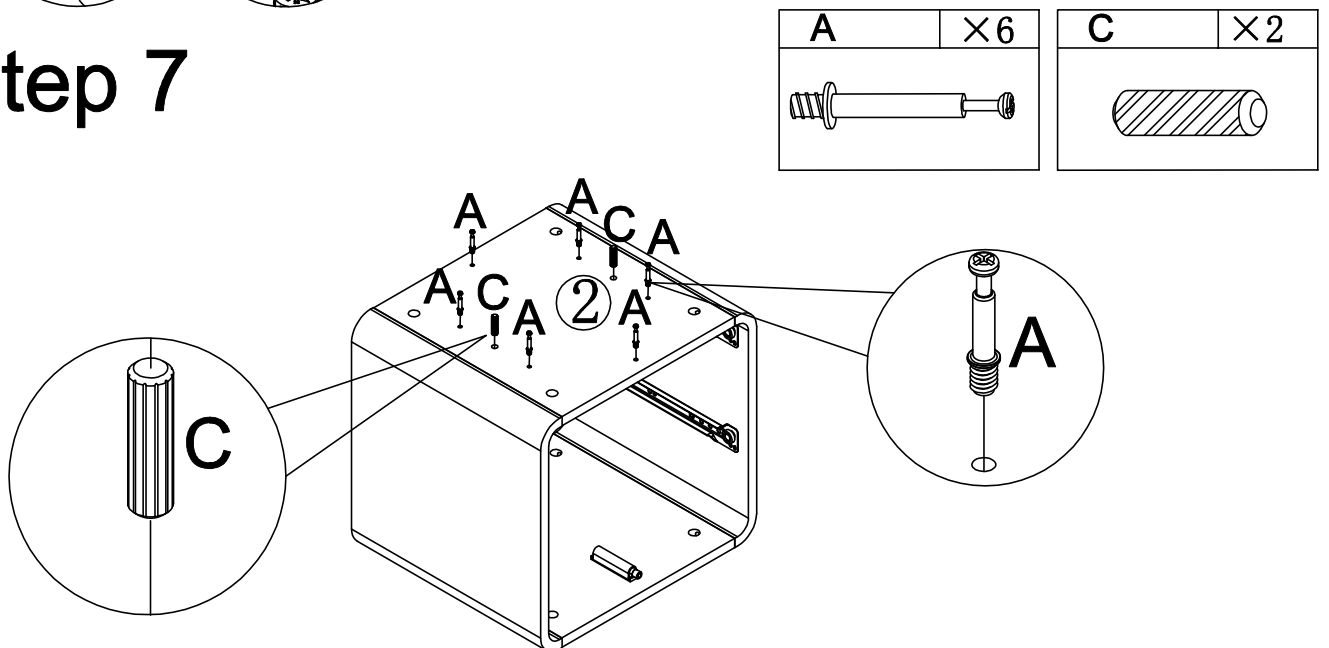
# Step 5



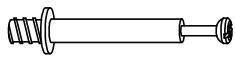
# Step 6

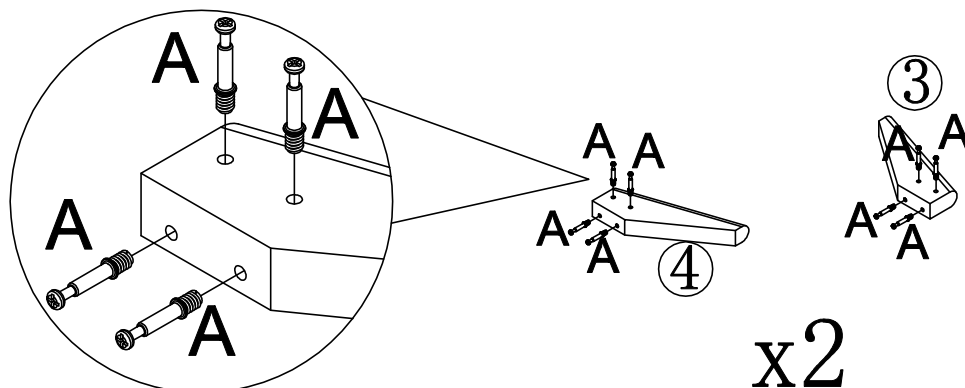


# Step 7




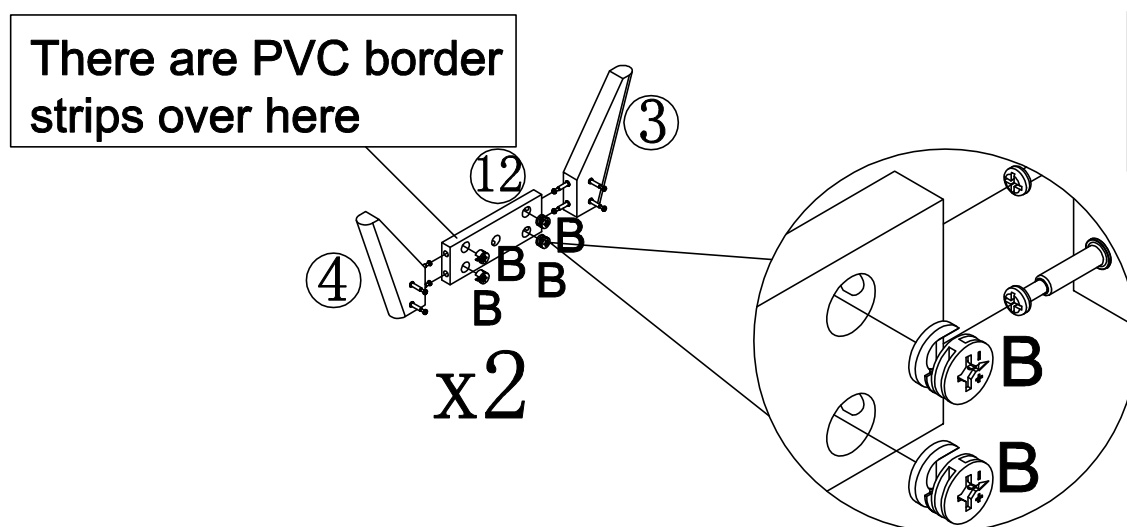
# Step 8

|   |     |
|---|-----|
| A   | ×16 |
|  |     |




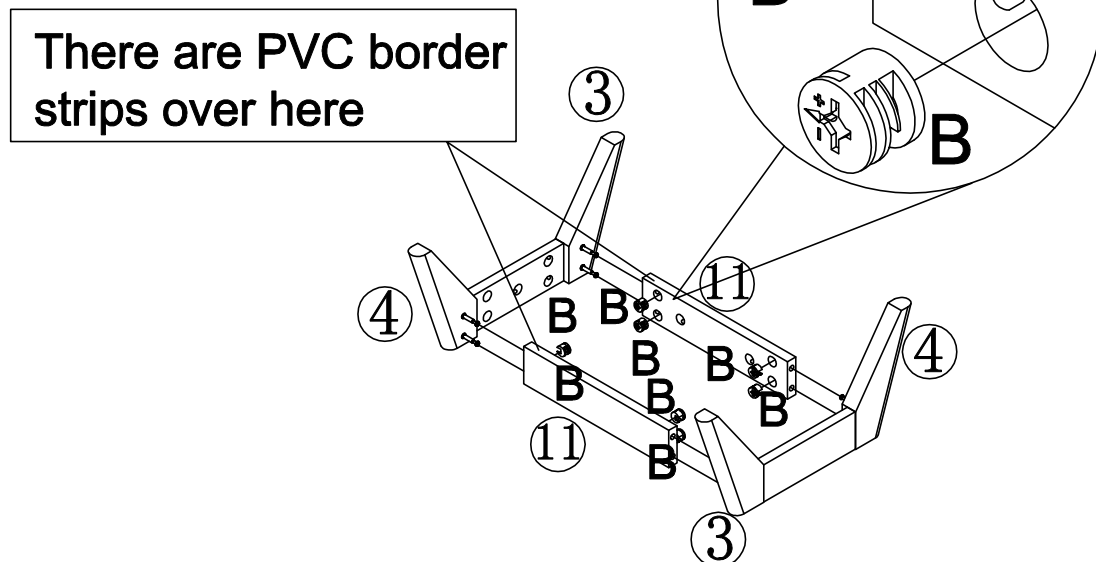
# Step 9

|   |    |
|---|----|
| B   | ×8 |
|  |    |

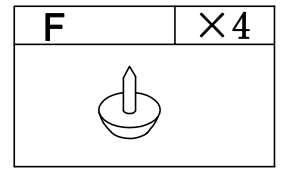
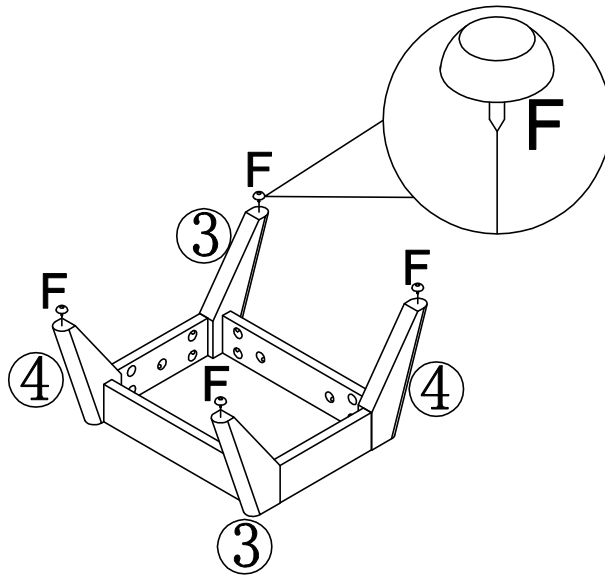


# Step 10

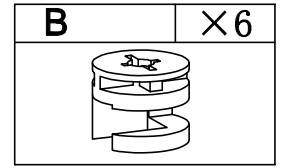
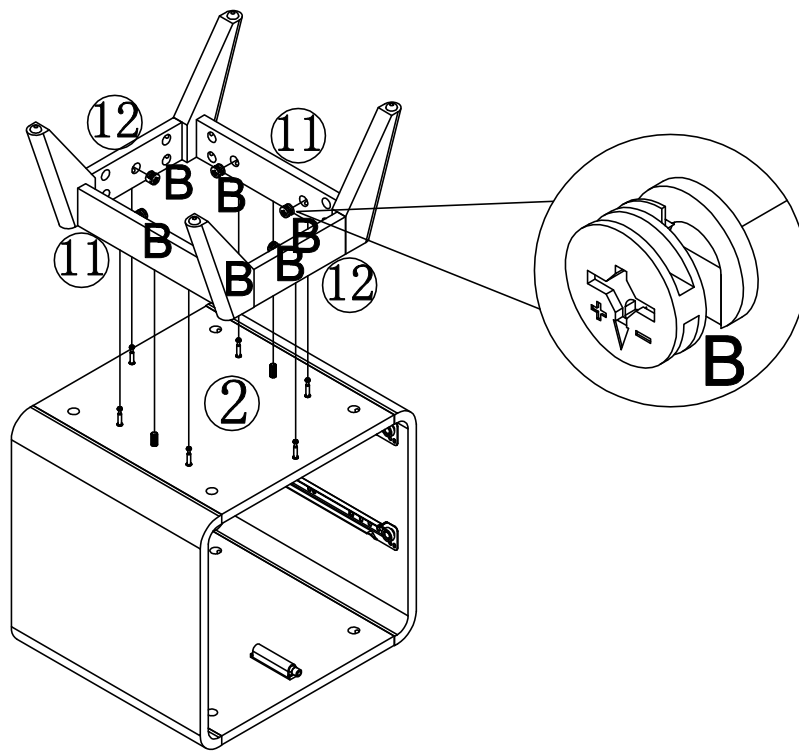
|   |    |
|---|----|
| B   | ×8 |
|  |    |



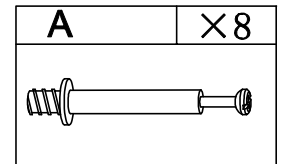
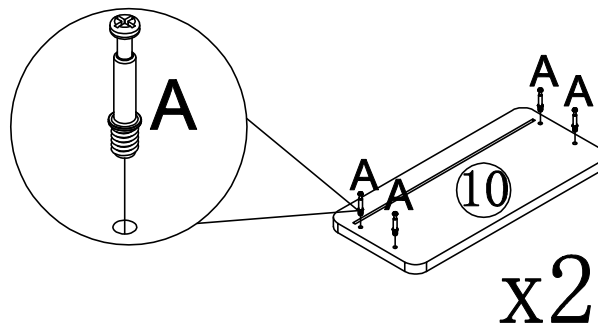
# Step 11



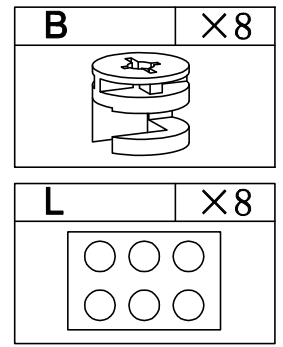
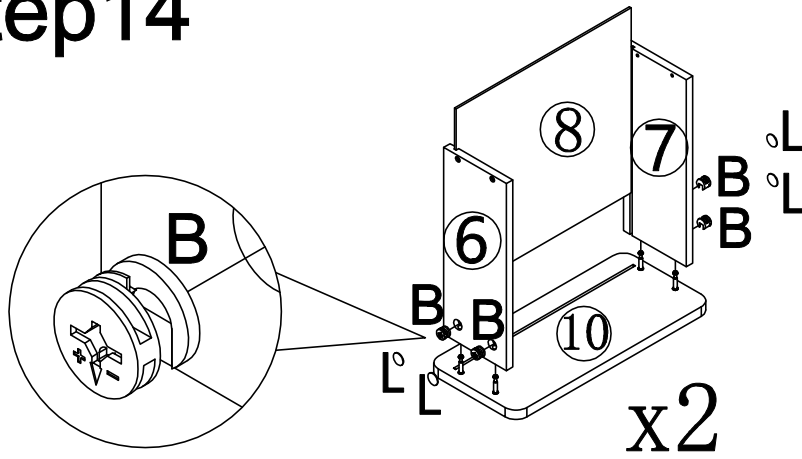
# Step 12



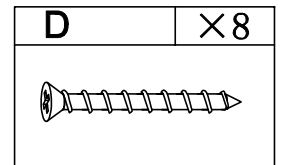
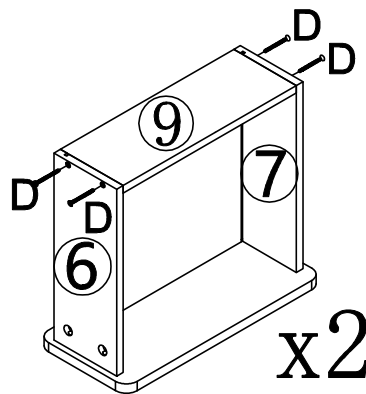
# Step 13



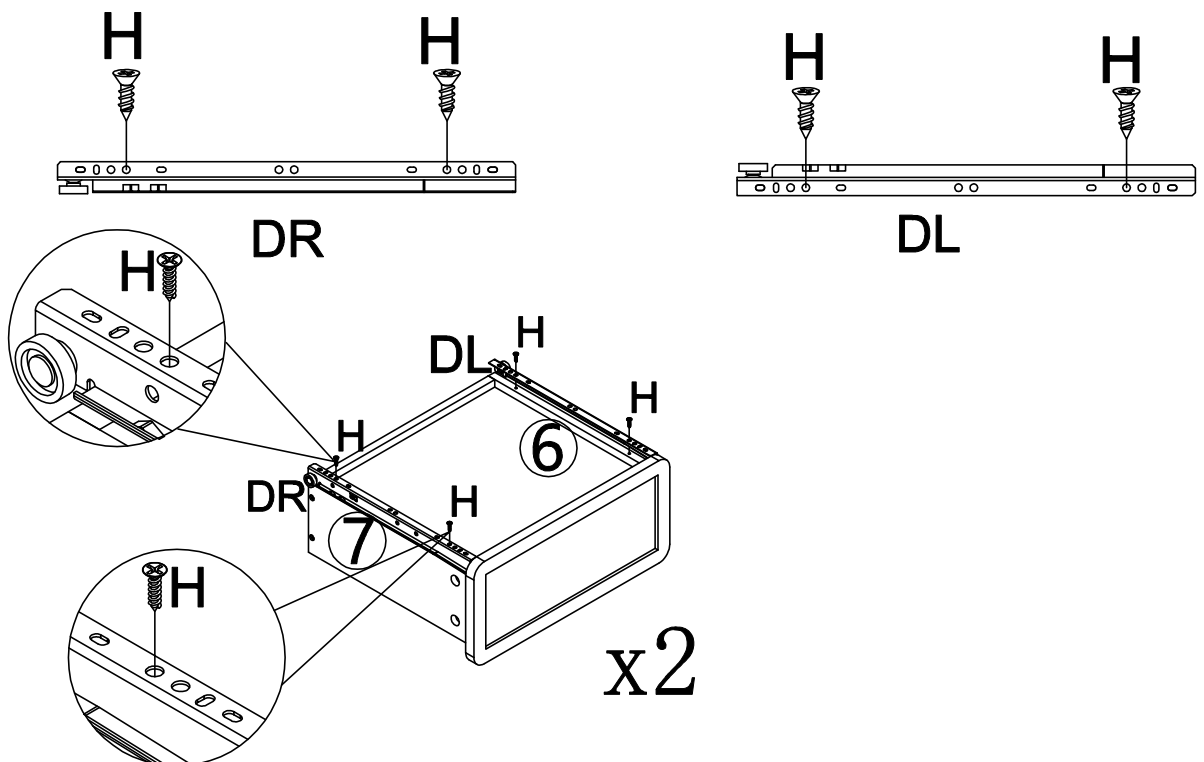
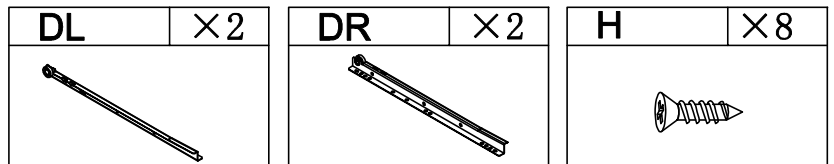
# Step 14



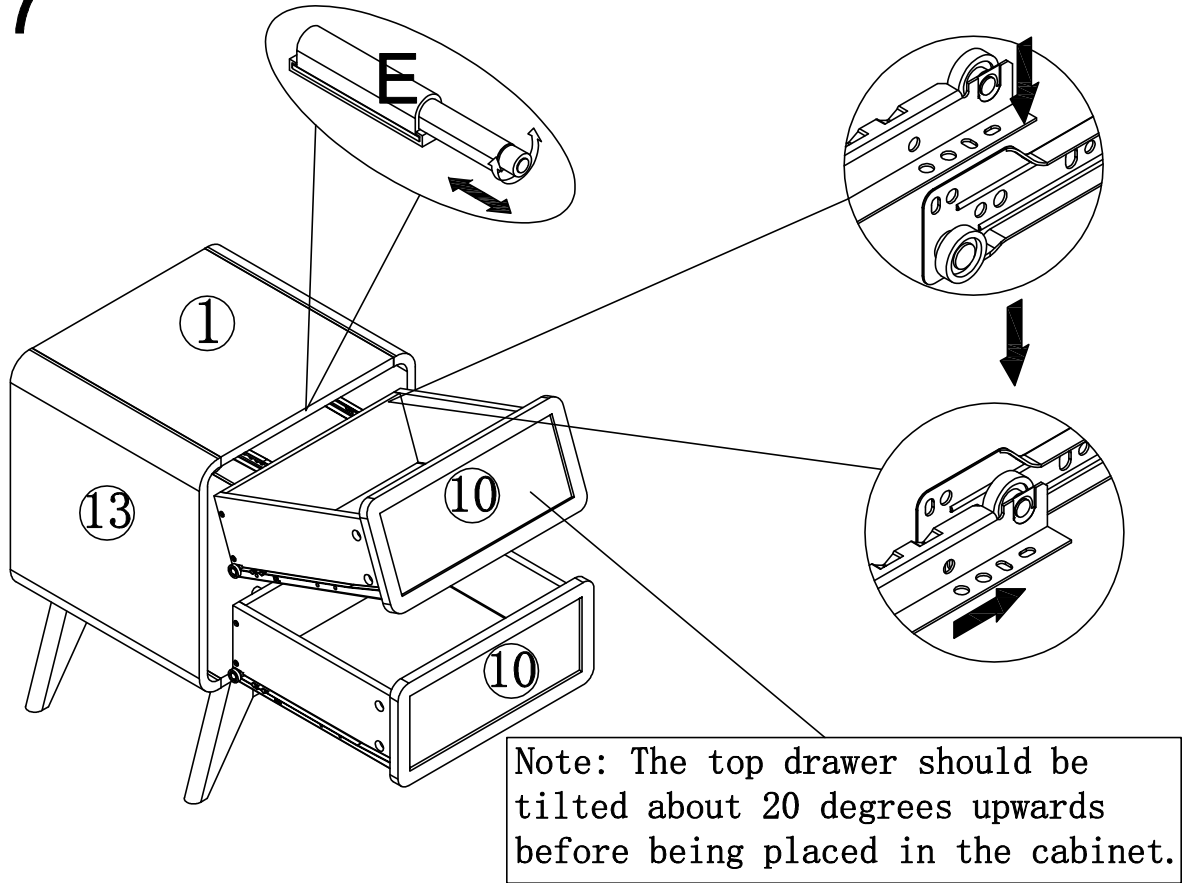
# Step 15




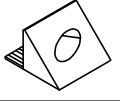
# Step 16

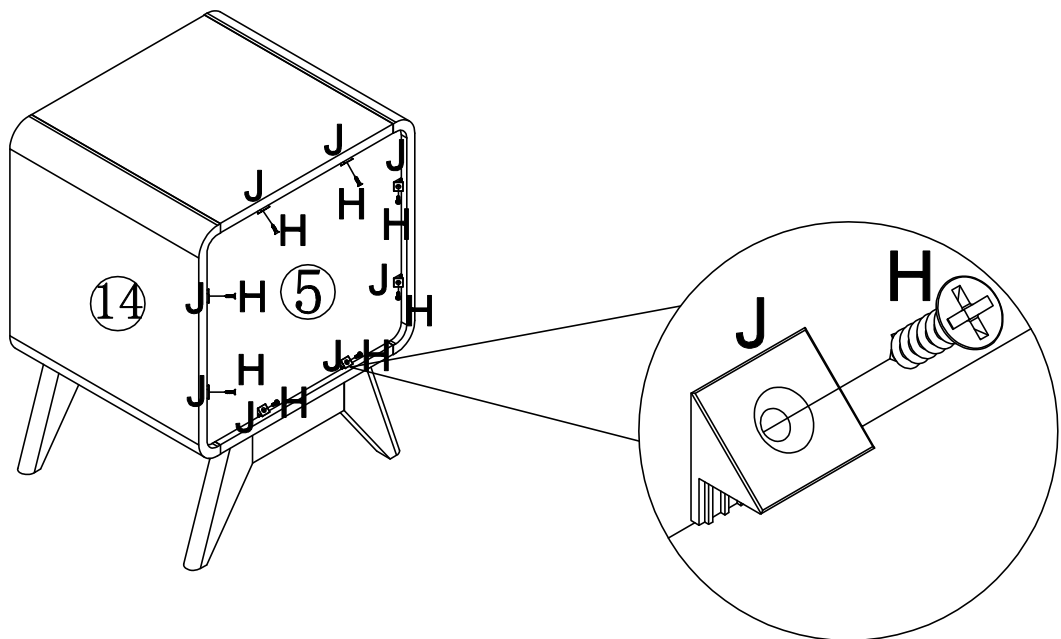


# Step 17


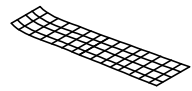


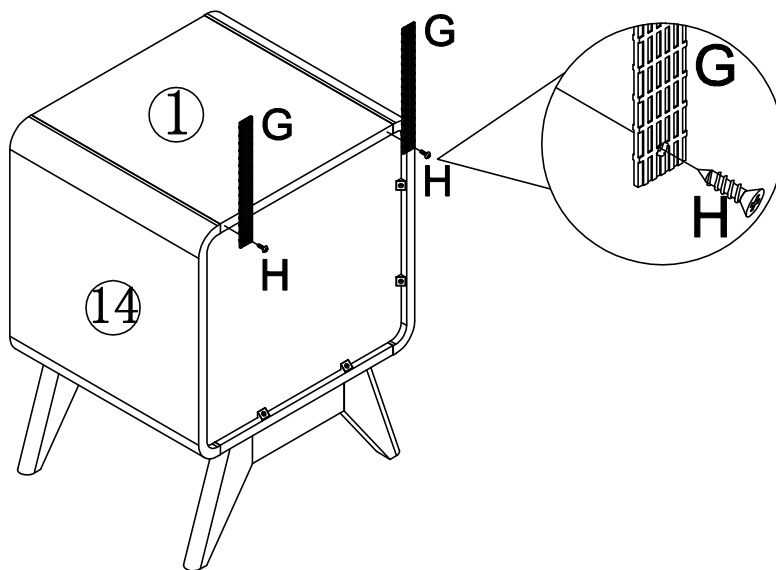
# Step 18

|   |    |   |    |
|---|----|---|----|
| H   | ×8 | J   | ×8 |
|  |    |  |    |

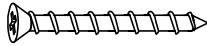



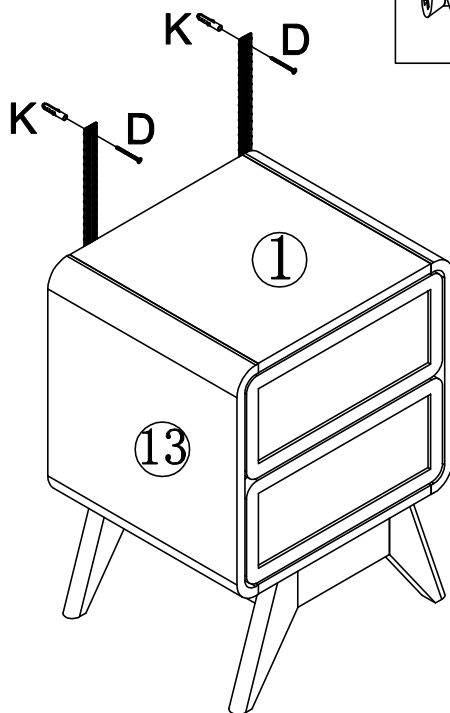
# Step19

|   |    |   |    |
|---|----|---|----|
| H   | X2 | G   | X2 |
|  |    |  |    |

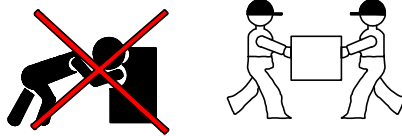
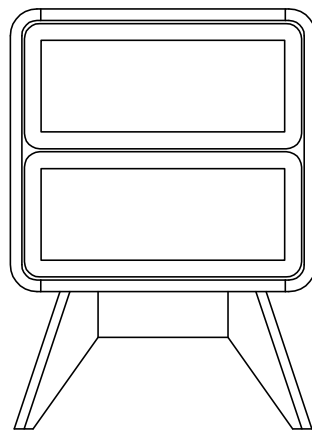


# Step20

|  |    |   |    |
|--|----|---|----|
| D  | X2 | K   | X2 |
|  |    |  |    |



# Step 21



Two people work together to move the cabinet.  
Make sure you lift it off the ground.  
Don't push and pull.