
BZ8003

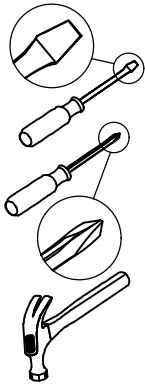


As this item contains many parts, please read the installation instruction carefully before installation and complete the installation with the cooperation of your partner. Please use tools properly and carefully. If you have any questions about the product and installation, please contact us.

hosoteservice@gmail.com

Our professional after-sales team will serve you online all day.

Before You Start



- ✓ Read through each step carefully and follow the proper order
- ✓ Separate and count all your parts and hardware
- ✓ Give yourself enough room for the assembly process
- ✓ Have the following tools: Flat Head Screwdriver, #2 Phillips Head Screwdriver and Hammer
- ✓ Caution: If using a power drill or power screwdriver for screwing, please be aware of to slow down and stop when screw is tight. Failure to do so may result in stripping the screw.

Helpful Hints

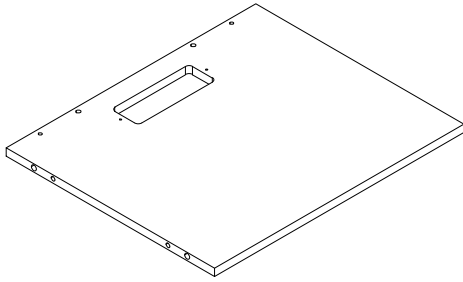
PEOPLE NEEDED FOR ASSEMBLY: 1-2

- Open your item in the area you plan to keep it to avoid excessive heavy lifting.
- Identify, sort and count the parts before attempting assembly.
- Compression dowels are lightly tapped in with a hammer.
- Slides are labeled with an **R** (right) and **L** (left) for proper placement.
- Make sure to always face the point on the top of the Cam Lock towards the outer edge.
- Use all the nails provided for the back panel and spread them out equally.
- Back panel must be used to make sure your unit is sturdy.
- Do NOT use harsh chemicals or abrasive cleaners on this item.
- Never push, pull, or drag your furniture.

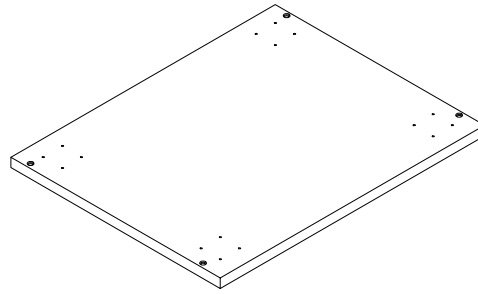


Board Identification

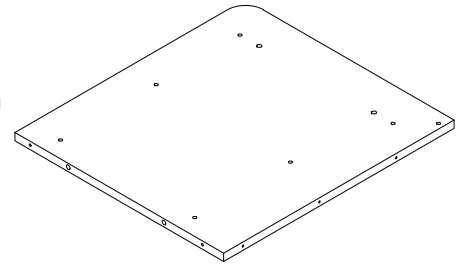
Not actual size



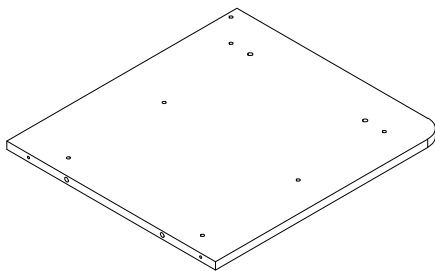
(A)
TOP
Qty:1



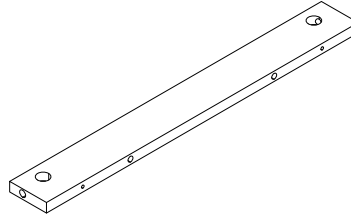
(B)
BOTTOM
Qty:1



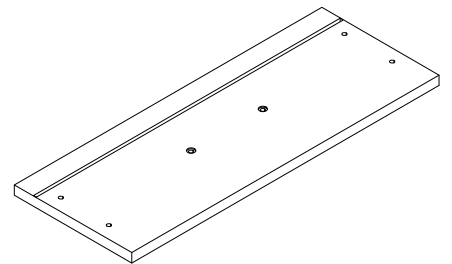
(C)
LEFT SIDE PANEL
Qty:1



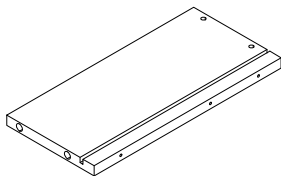
(D)
RIGHT SIDE PANEL
Qty:1



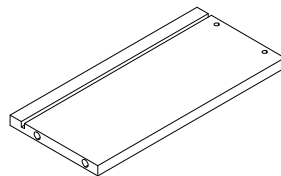
(E)
RAIL
Qty:1



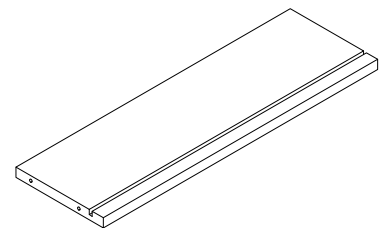
(F)
DRAWER FRONT
Qty:2



(G)
LEFT DRAWER SIDE
Qty:2



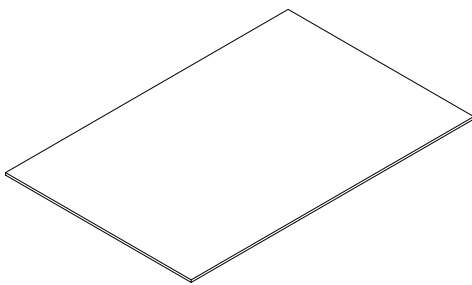
(H)
RIGHT DRAWER SIDE
Qty:2



(I)
DRAWER BACK PANEL
Qty:2

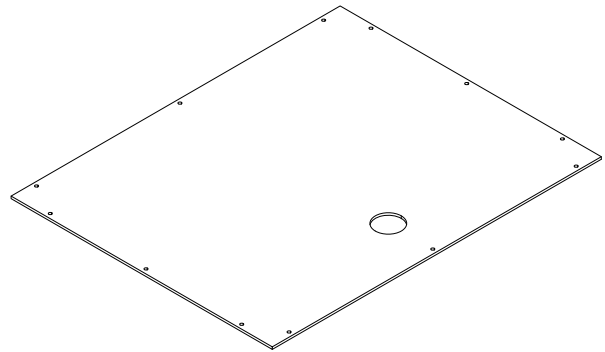
Board Identification

Not actual size



ⓐ

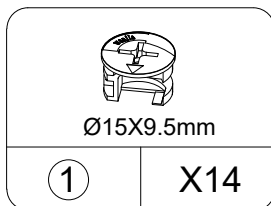
DRAWER BOTTOM
Qty:2



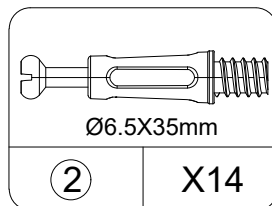
ⓑ

BACK PANEL
Qty:1

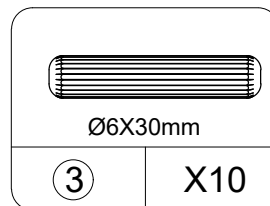
Part List



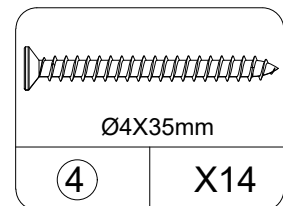
CAM LOCK
spare:2



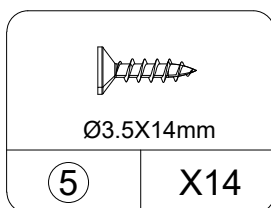
CAM BOLT
spare:2



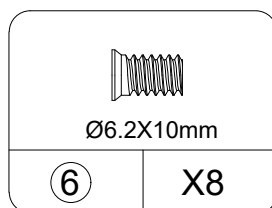
WOOD DOWEL
spare:1



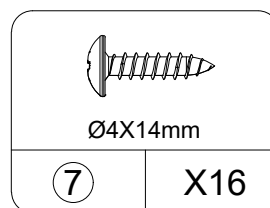
SCREW
spare:1



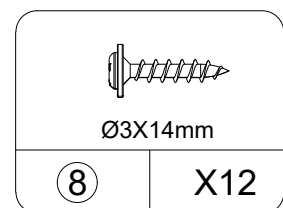
SCREW
spare:2



SCREW
spare:1

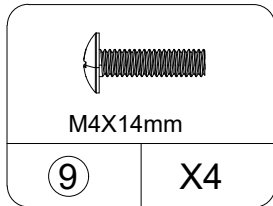


SCREW
spare:2

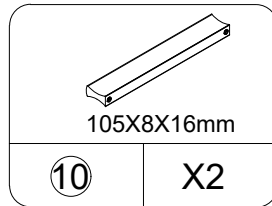


SCREW
spare:2

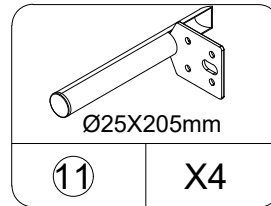
Part List



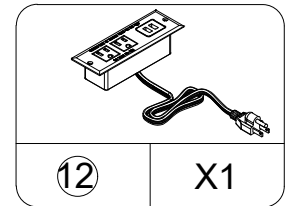
SCREW
spare:1



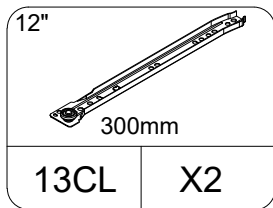
HANDLE



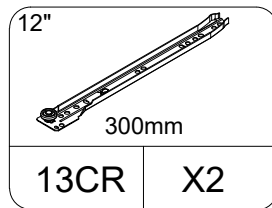
FOOT



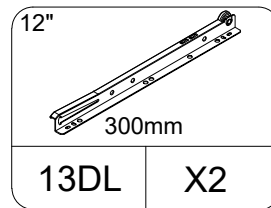
SOCKET



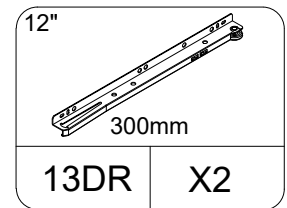
LEFT CABINET MEMBER



RIGHT CABINET MEMBER



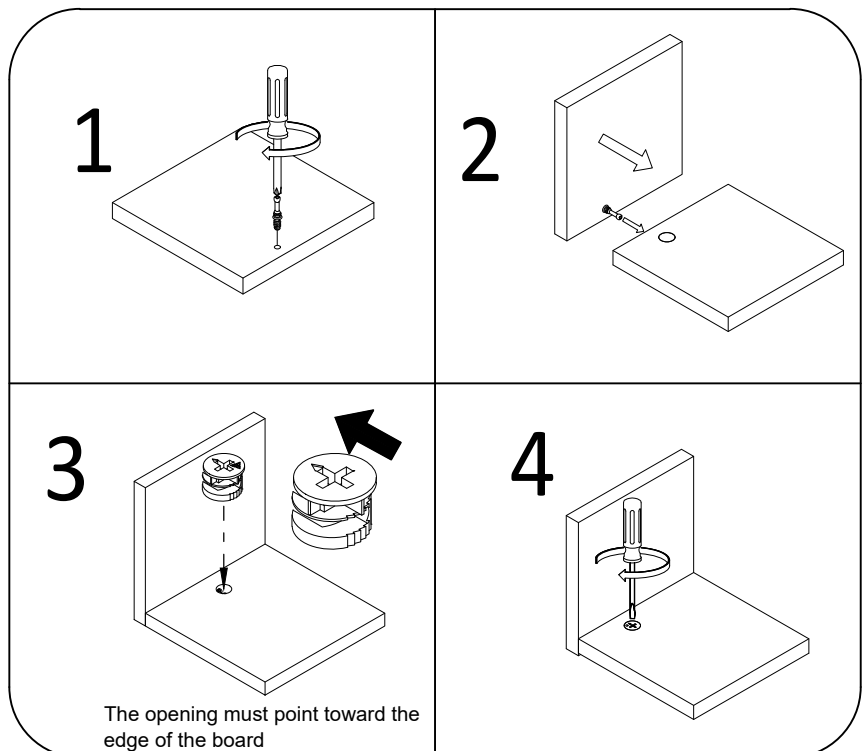
LEFT DRAWER RUNNER



RIGHT DRAWER RUNNER

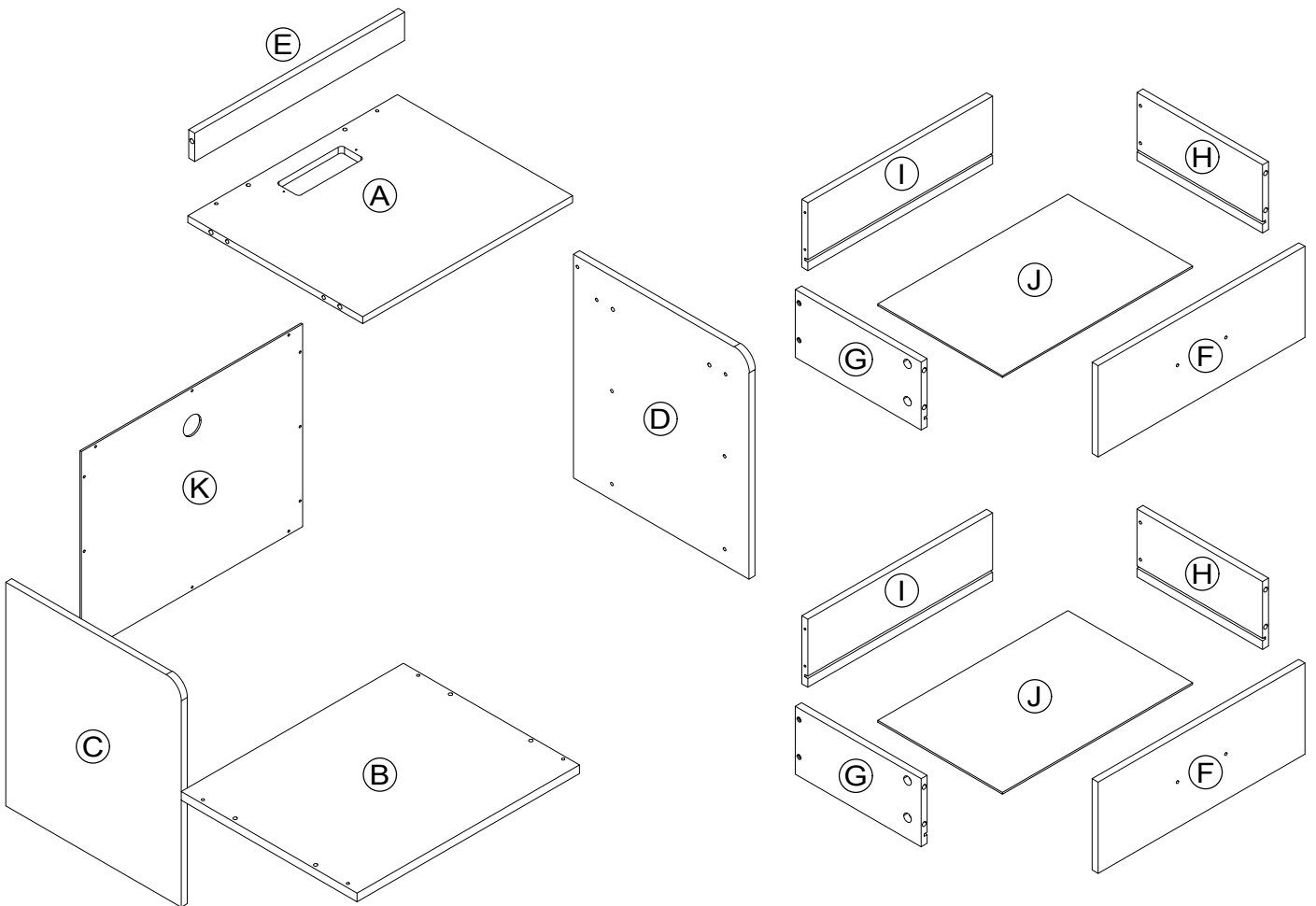
Cam Lock Fastening System

Insert the cam bolt into the hole first, then insert the cam lock and lock it.

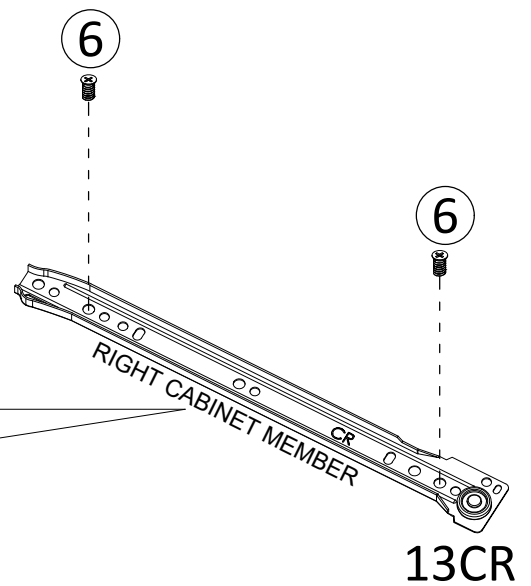
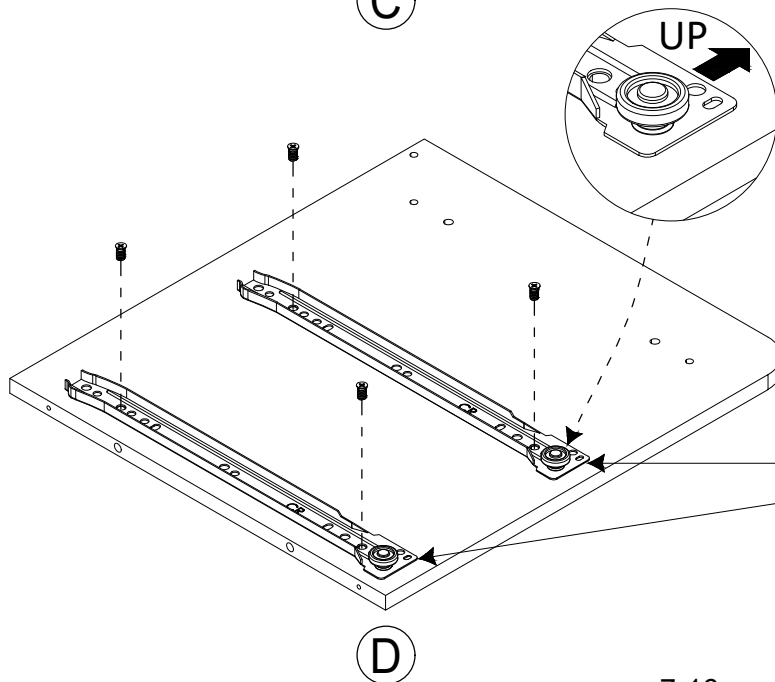
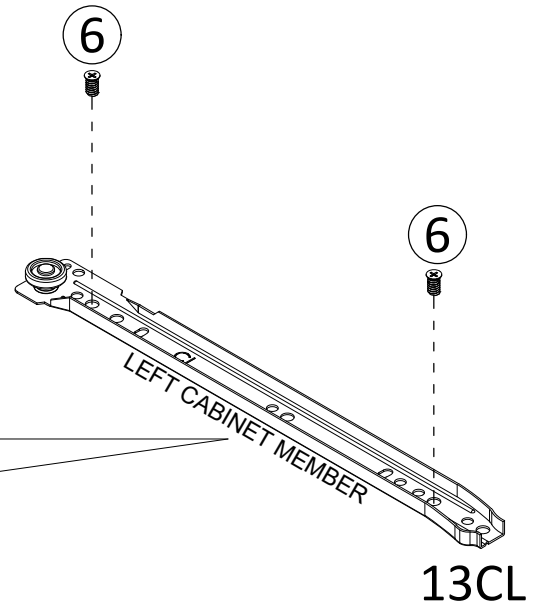
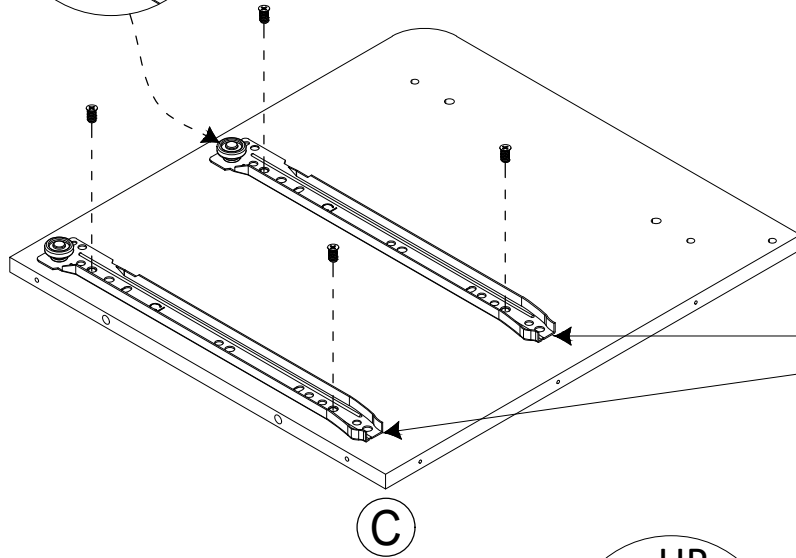
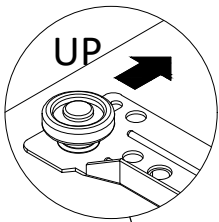
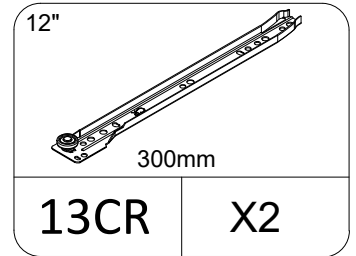
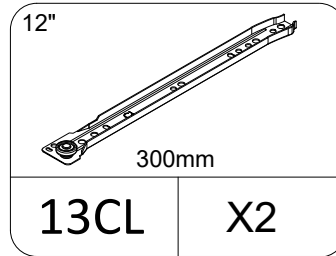
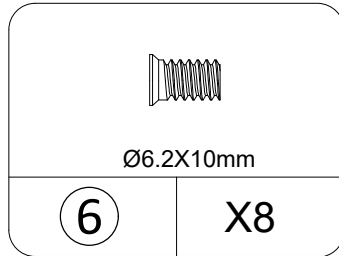
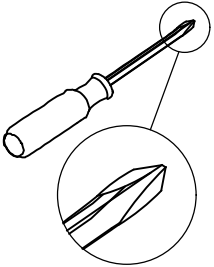


Board Identification

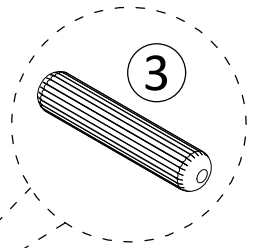
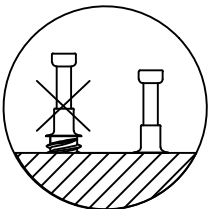
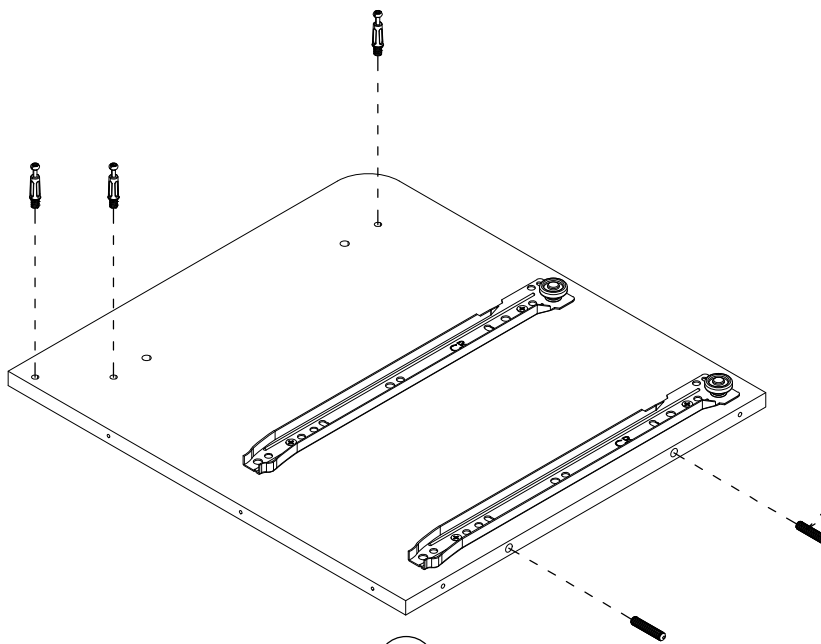
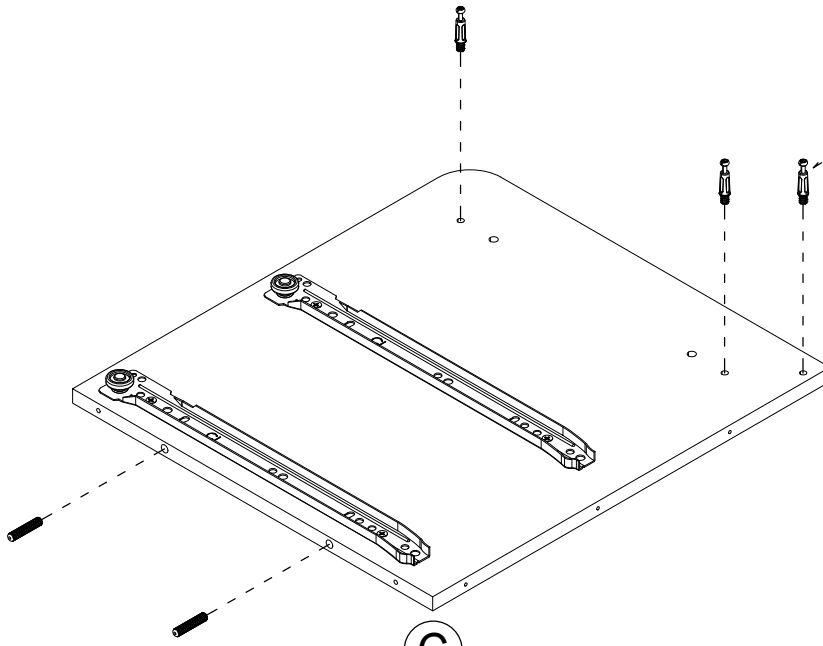
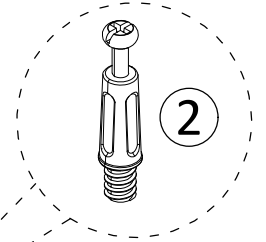
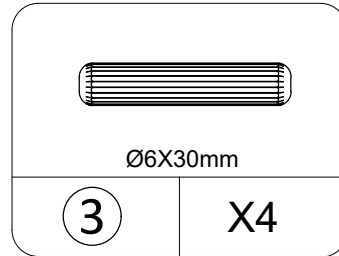
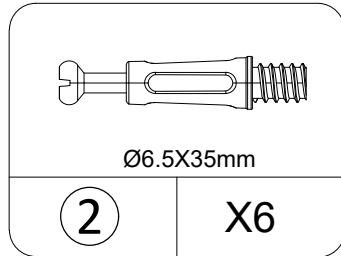
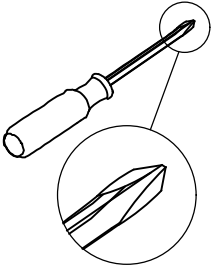
Not actual size



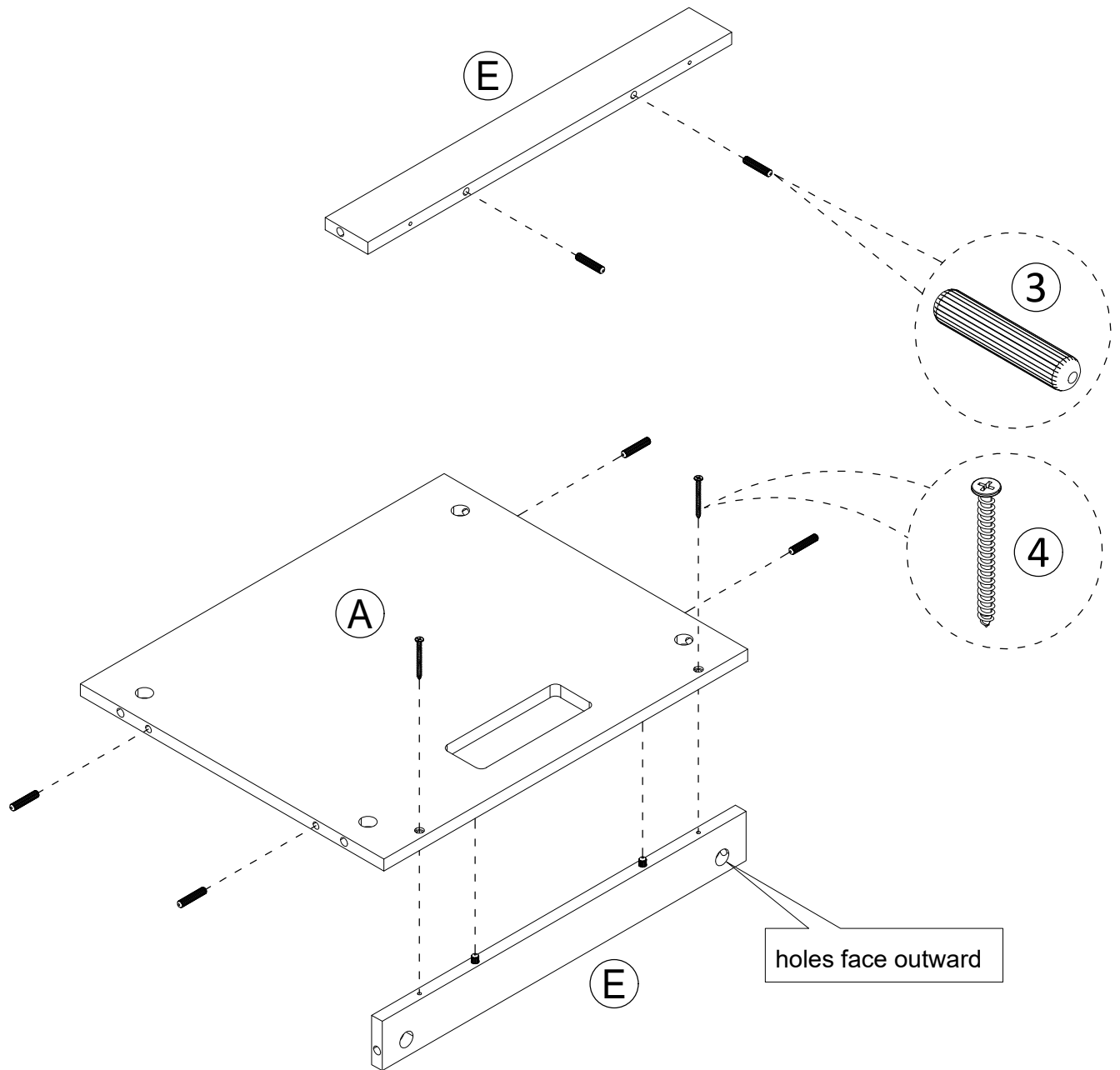
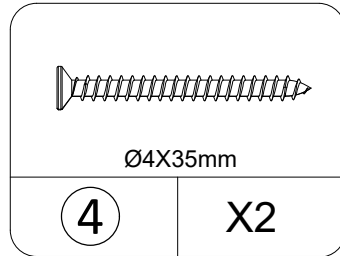
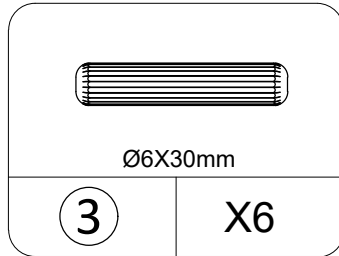
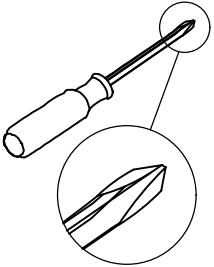
STEP 1



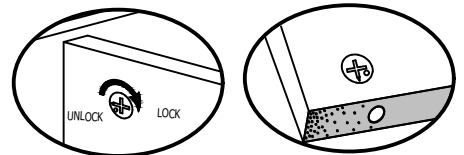
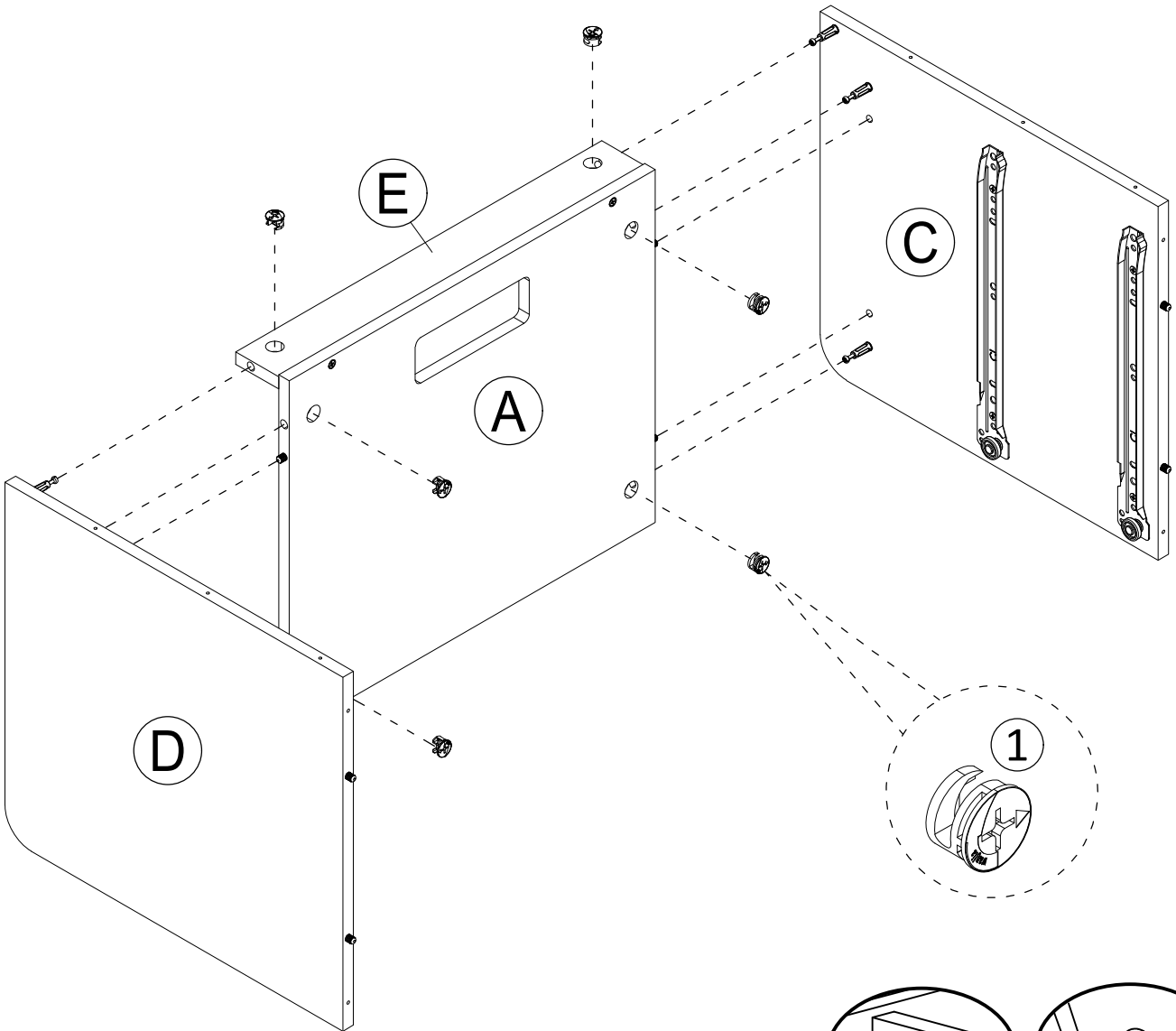
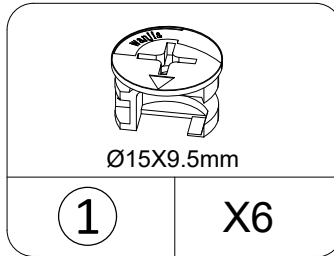
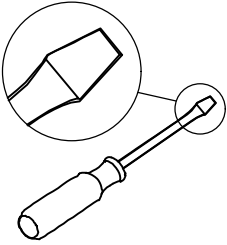
STEP 2



STEP 3

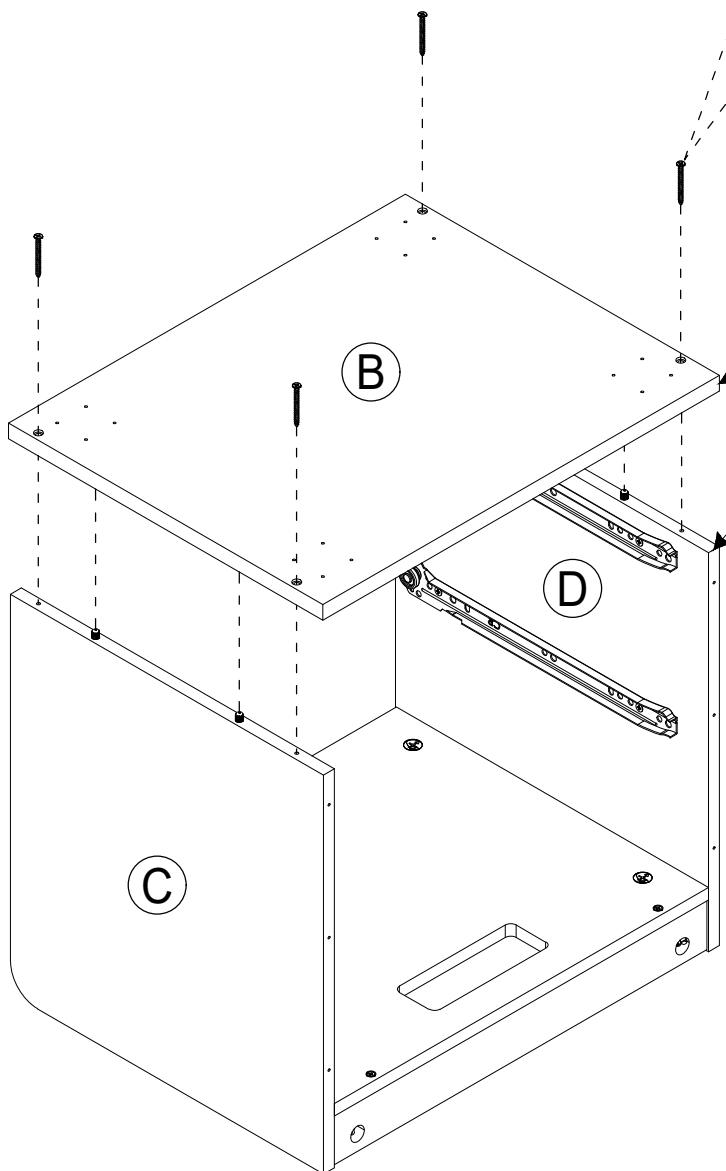
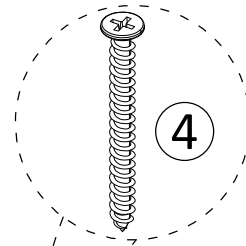
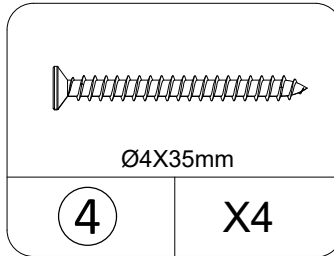
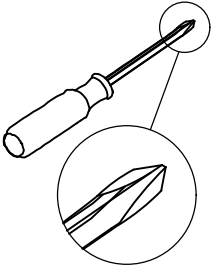


STEP4



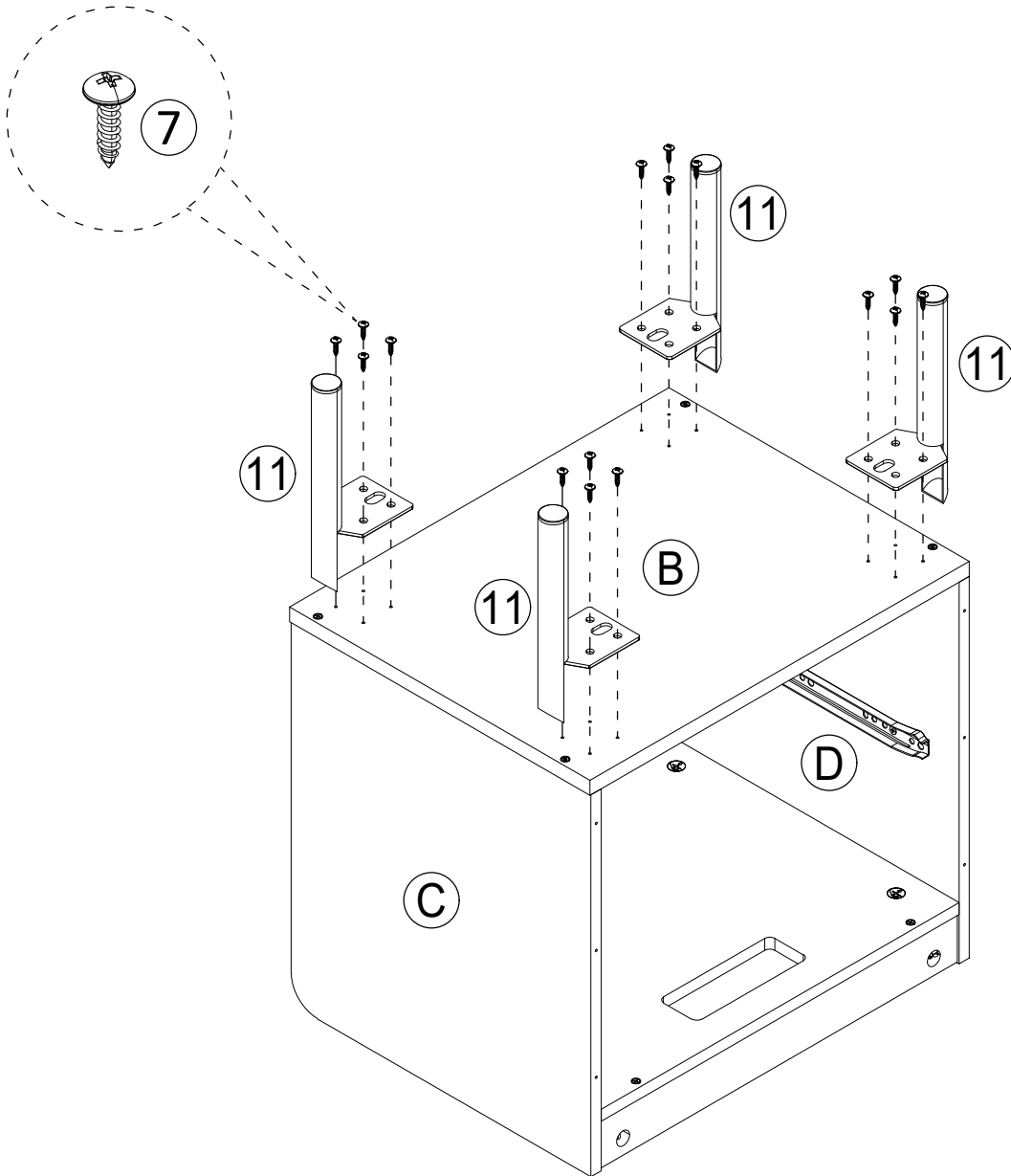
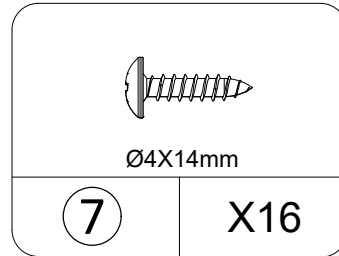
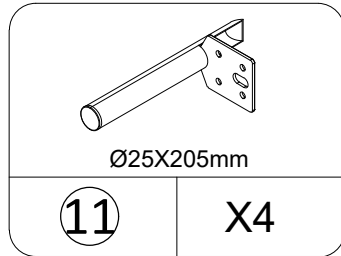
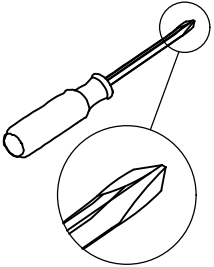
Proper orientation of CAM LOCK

STEP 5

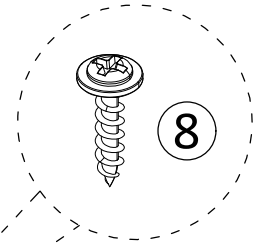
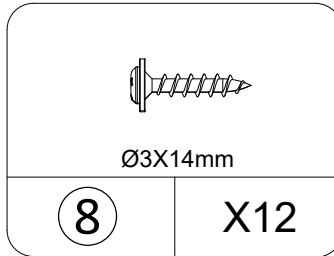
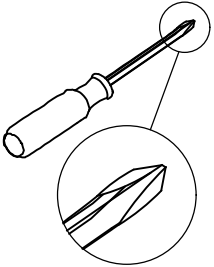


Ensure the outside edges are flush with each other

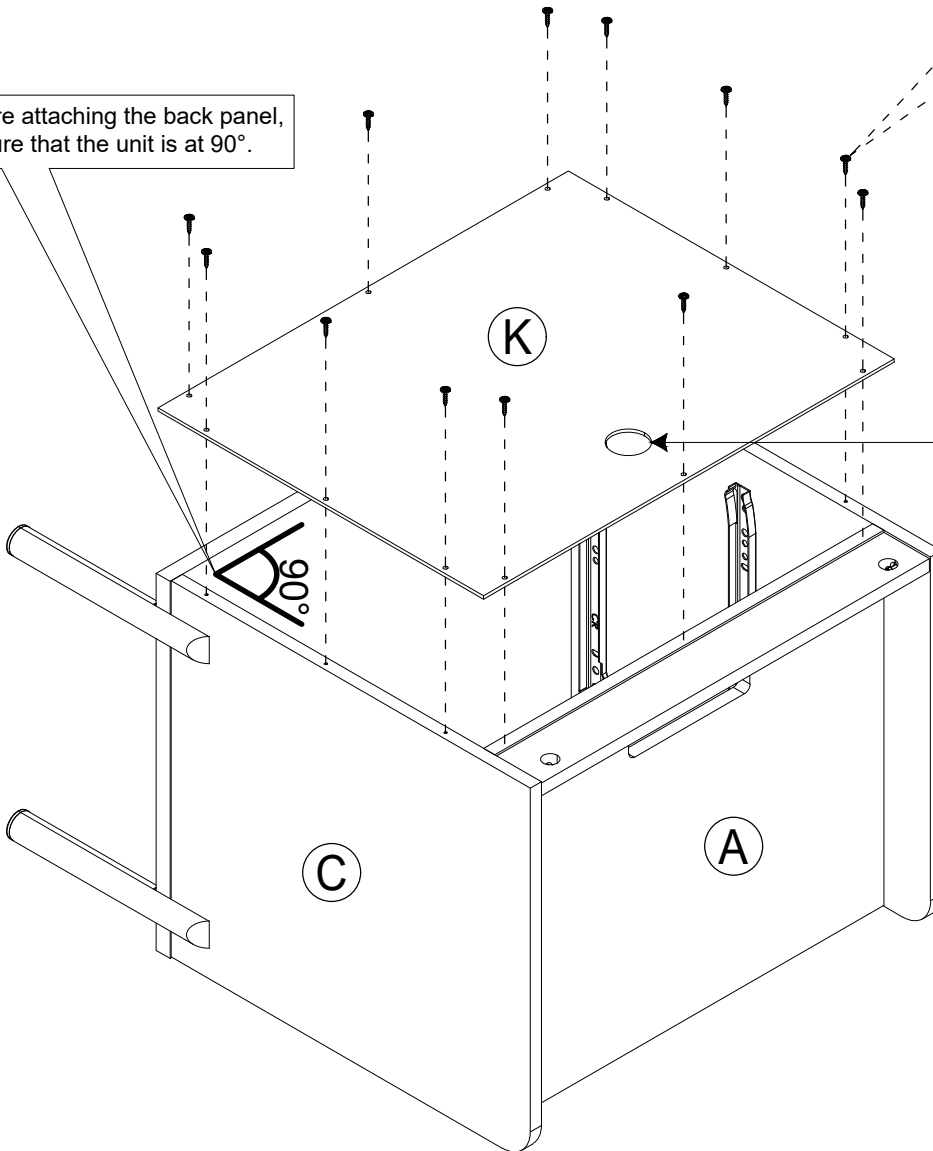
STEP 6



STEP 7

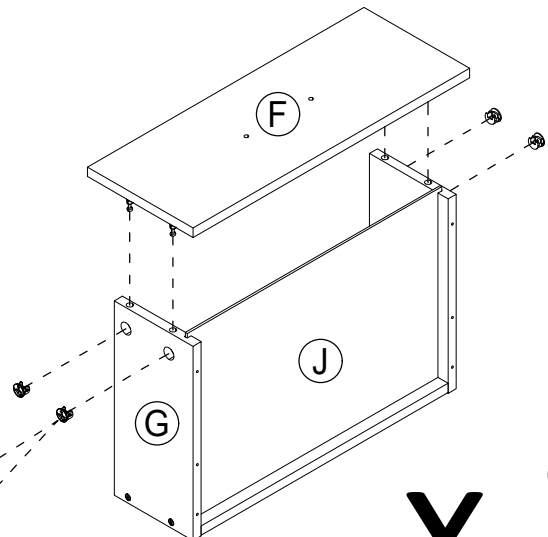
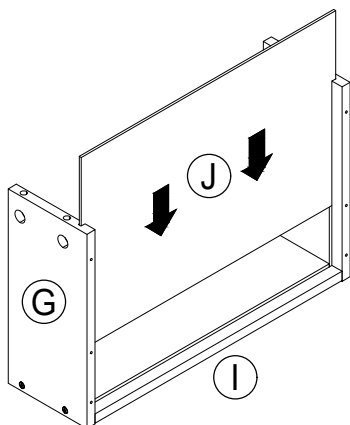
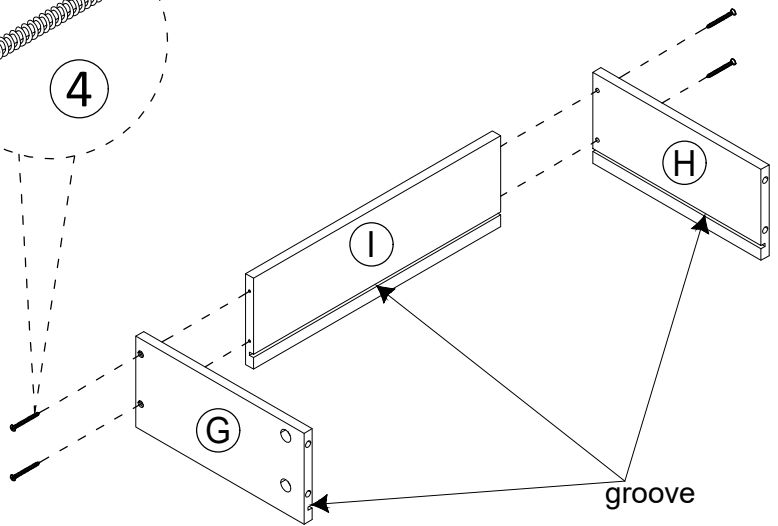
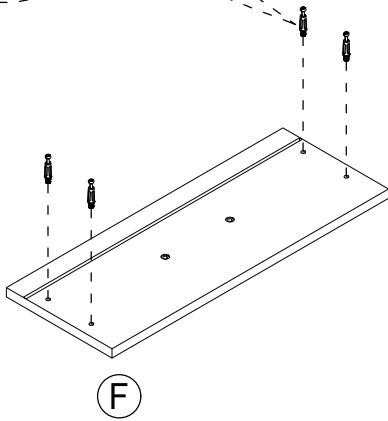
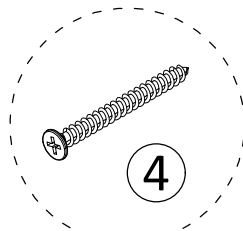
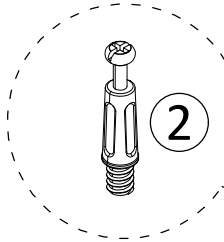
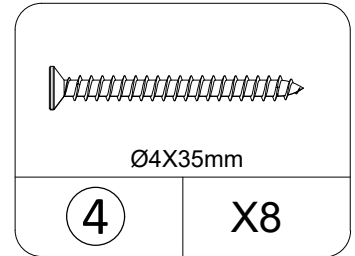
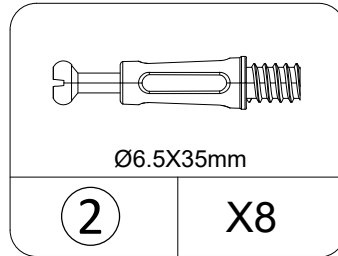
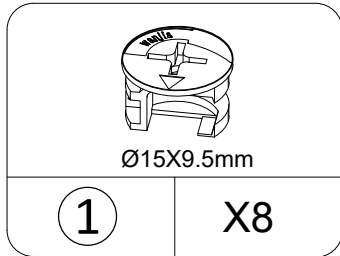
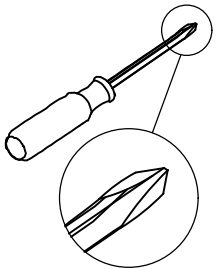


Before attaching the back panel, be sure that the unit is at 90°.

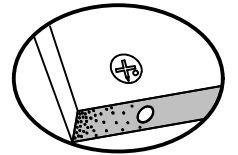
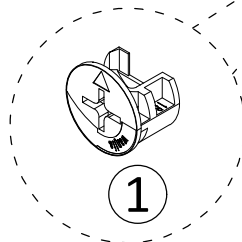
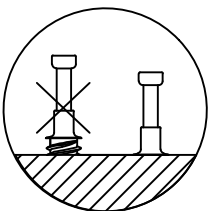


Pay attention to the direction of the power cord hole.

STEP 8

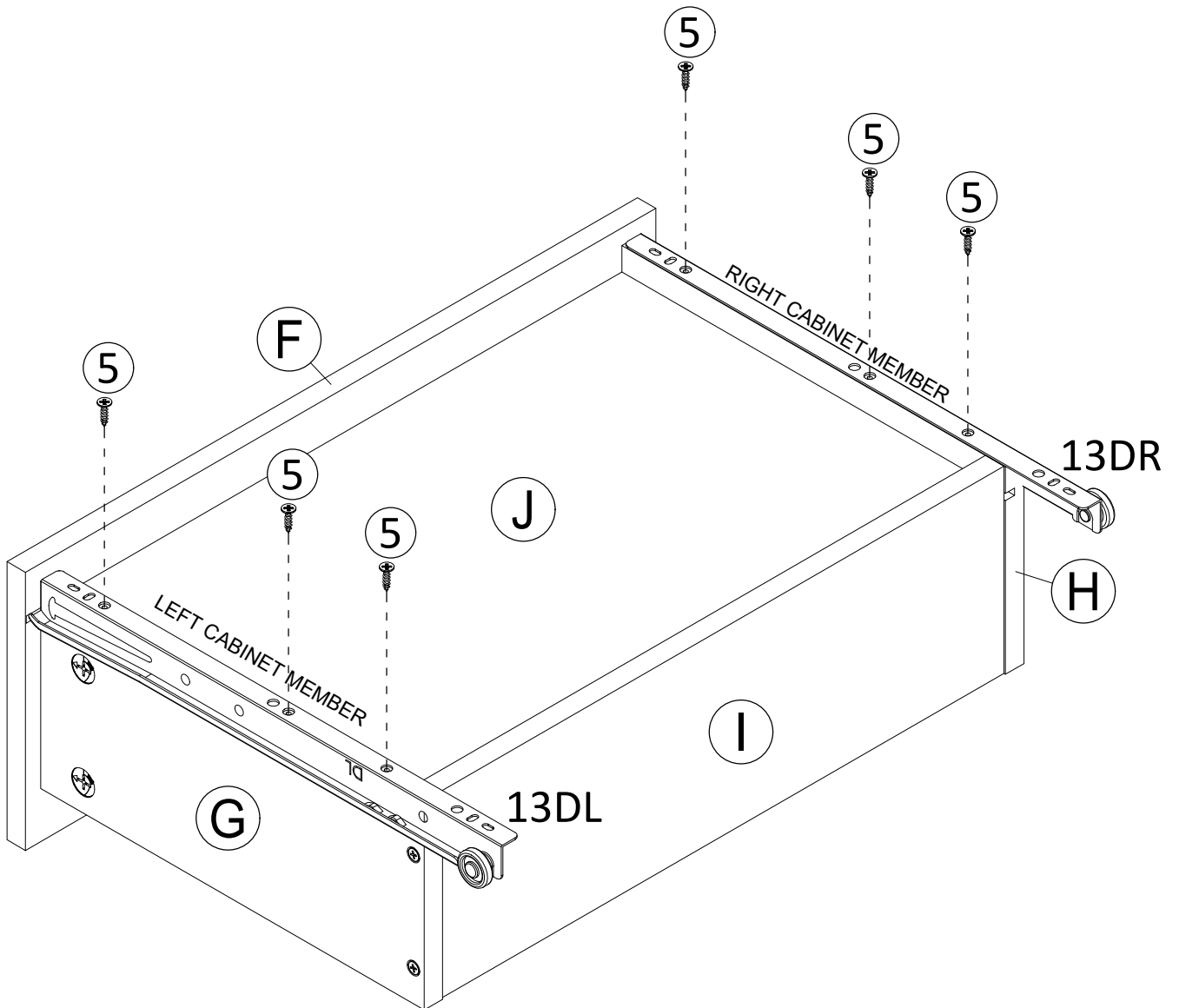
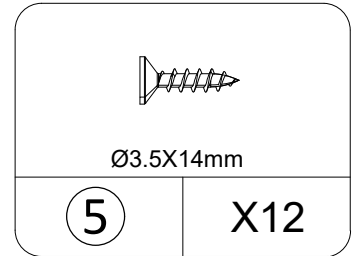
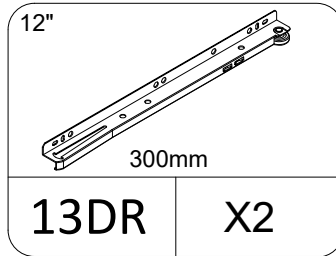
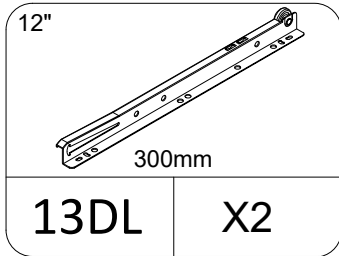
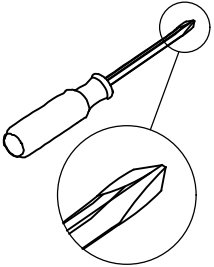


x 2



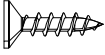
Proper orientation of CAM LOCK

STEP 9



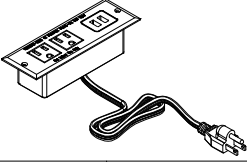
x 2

STEP 10




Ø3.5X14mm

5	X2
---	----

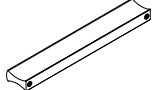


12 X1



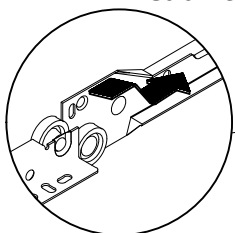
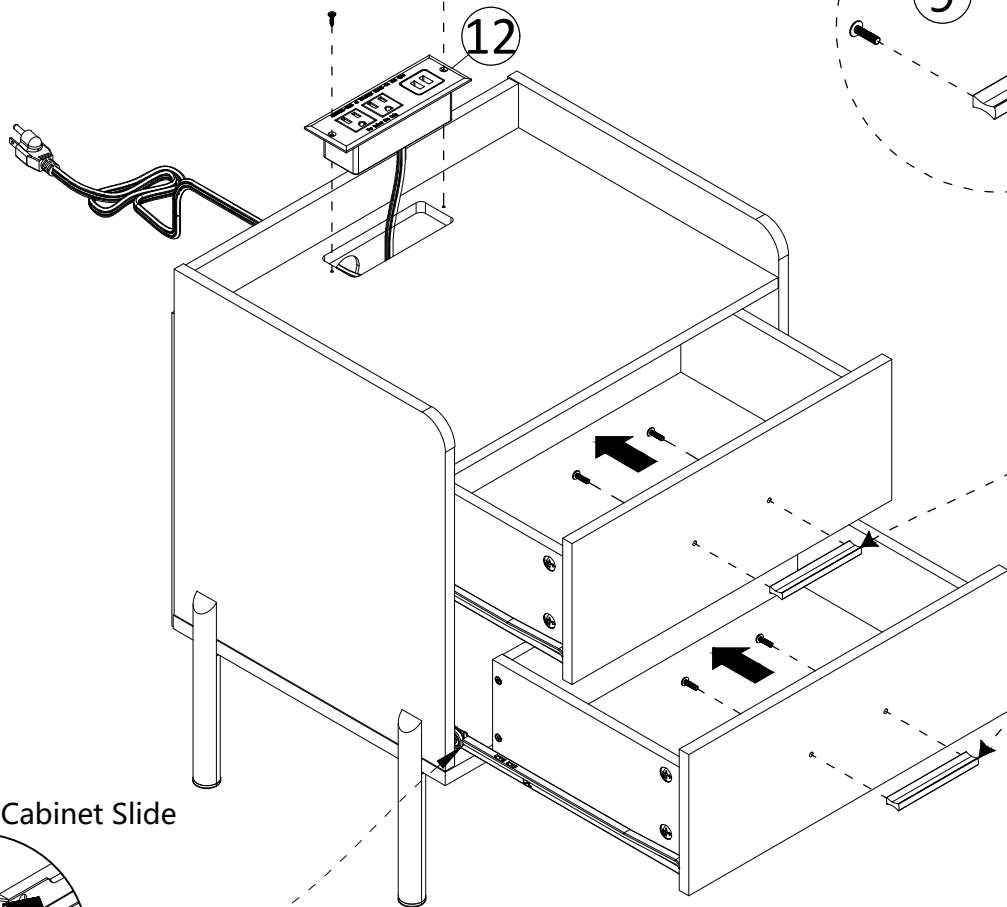
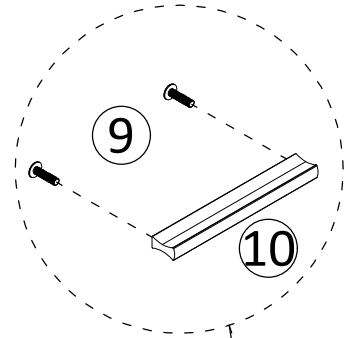
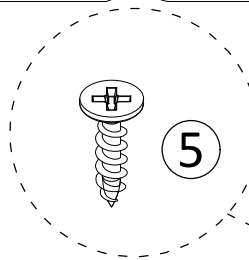
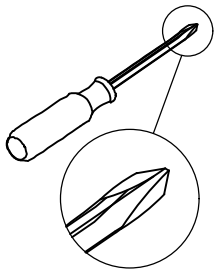
M4X14mm

9	X4
---	----



108X8X16mm

10	X2
----	----



Cabinet Slide

Drawer Slide