

Sideboard with 3 Drawers and 2 Doors





Warranty

LIMITATIONS

All components are warranted by the manufacturer for 30 days after the date of purchase by the original owner against defects in materials and workmanship under normal use. If it is appropriate to replace your product due to specific defects, the manufacturer will replace the purchase with the same or comparable product.

GENERAL TERMS & CONDITIONS

1. Proof of purchase is required to request a claim under this warranty.

2. This warranty applies only to manufacturer error and defects. The warranty applies to the following:

- a. Breaks and cracks in the product that originated with the manufacturer.
- b. Missing pieces.
- c. Stains that occurred during the manufacturing process.

3. This warranty does not apply to the following:

- a. Damage due to improper loading, handling, or transportation.
- b. Any costs associated with the installation and removal of products or parts subject to this warranty.
- c. Acts of God.
- d. Products which have been subject to negligence, abuse, accident, misapplication, tampering, alteration, or modification.
- e. Products which have been subject to improper installation, operation, maintenance, repair, or storage.
- f. Products which have been subject to defects that occur when this product is used incorrectly and /or outside of normal application purposes.
- g. Products that have had, including but not limited to, operational failures caused by corrosion, rust, or other foreign materials in the system, or operation at pressures over recommended maximums.
- h. All other possible defects not mentioned here that would not have occurred during manufacturing or during correct, routing use of the item.

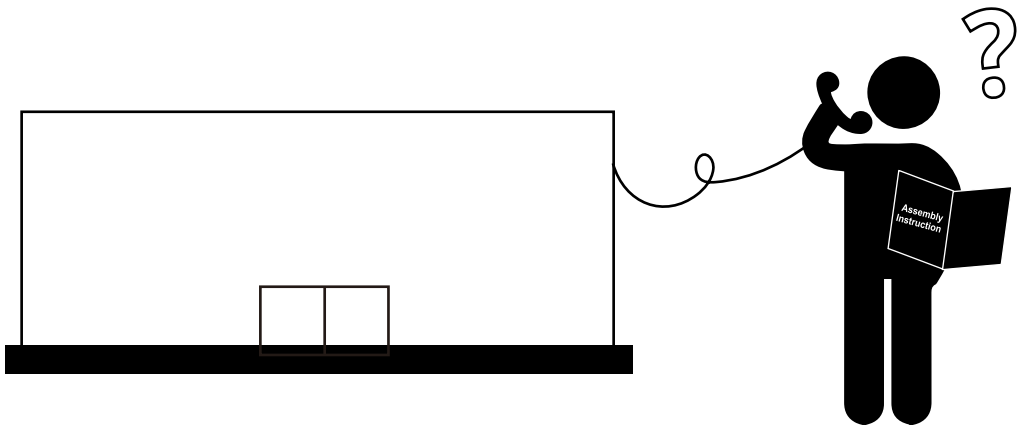
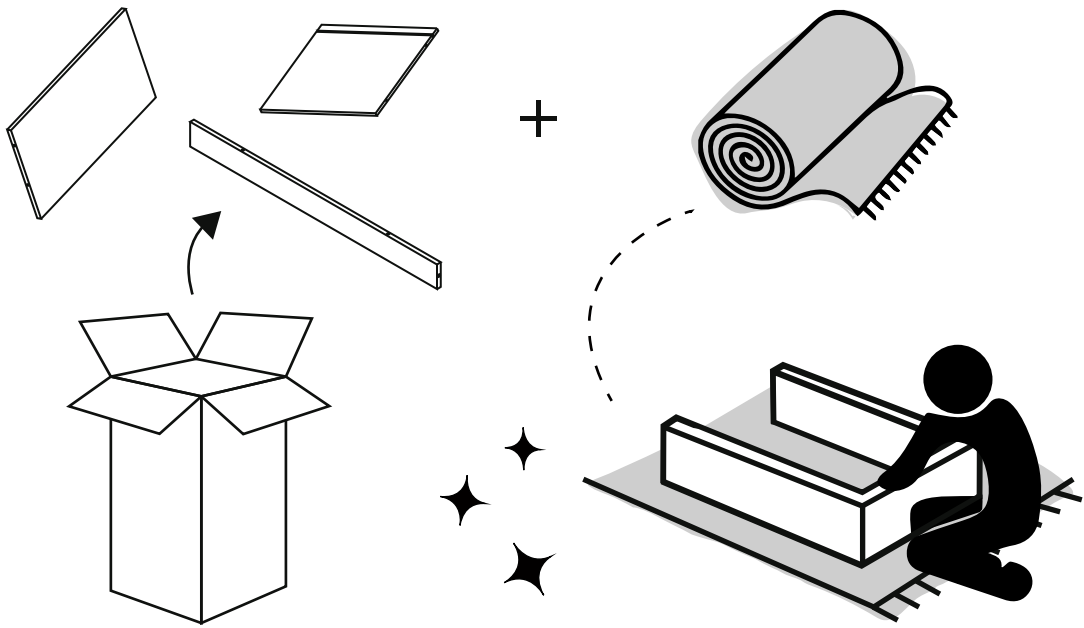
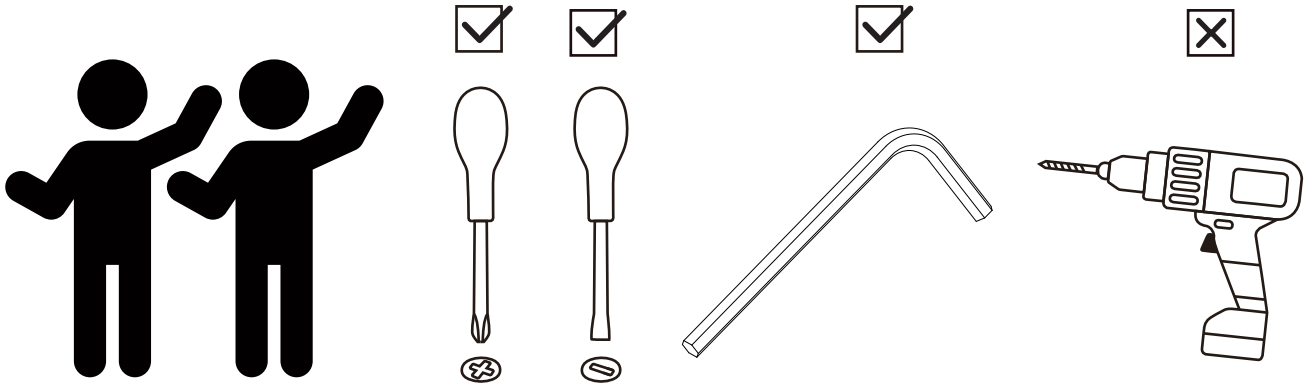
INSTRUCTIONS

For specific instructions on how to obtain warranty service for your product, please contact Global Customer Support using the contact information provided on page 01. In most circumstances, you will need to return your product either in its original packaging or in equally protective packaging to the address specified by Global Customer Support.

Before delivering your product for warranty service, it is your responsibility to remove all personal items and belongings you have stored with our product. Teamson is not responsible for the possible loss, destruction, or damage of any personal items or belongings that have been sent with the product.

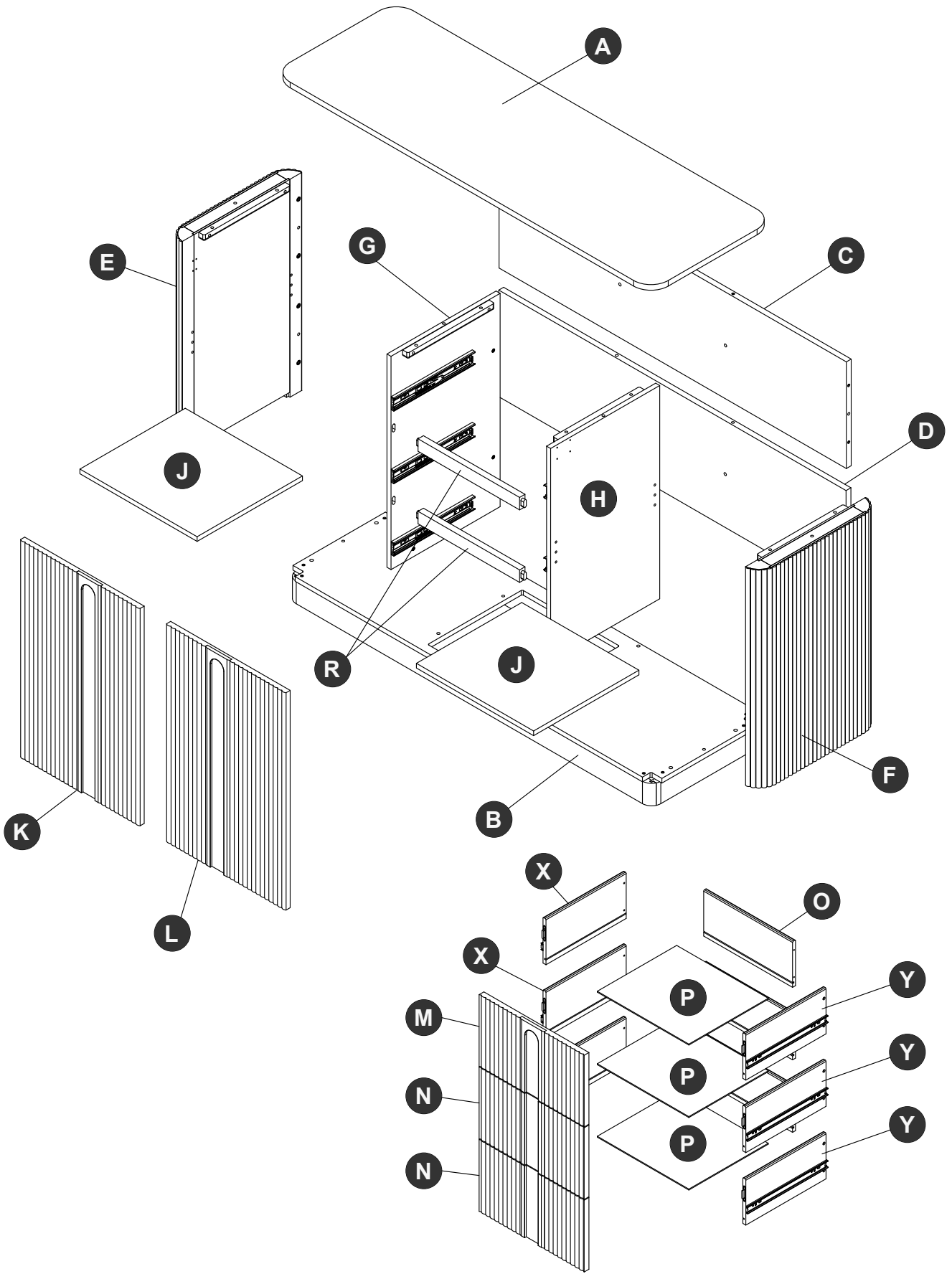
DISCLAIMER

Any oral statements made about the product by the seller, the manufacturer, the representatives, or any other parties do not constitute warranties should not be relied upon by the user and are not part of the contract for sale. The seller's and manufacturer's only obligation, and buyers only remedy shall be for the manufacturer to either replace and/or repair at the manufacturer's sole discretion, the product as described above. Neither seller nor the manufacturer shall be liable for an injury, loss, or damages for lost profits, lost sales, injury to person or property, or any other incidental or consequential loss arising from any cause whatsoever, no matter whether based upon warranty, contract, negligence or other misuse, and the buyer and user agree that no other remedy shall be available to them. Before using the buyer and user shall determine the suitability of the product for intended use and assume all risk and liability whatsoever in connection therewith. The warranty and remedy described in this limited warranty is an exclusive warranty and remedy instead of any other warranty or remedy expressed or implied. All other warranties and remedies are hereby expressly excluded, including but not limited to any implied warranty of merchantability of fitness for any particular purpose.



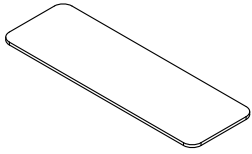
Any questions? Please contact our customer support team by email or phone. We are always ready to assist you! Please have the product item number ready, (located on the first page of this instruction manual) and your order number available.

Exploded Drawing



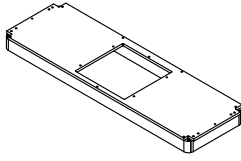
Product Parts

A



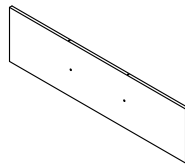
1 pc

B



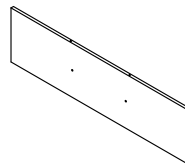
1 pc

C



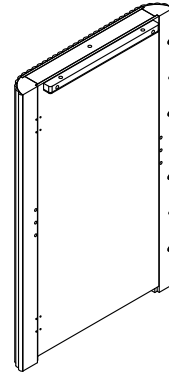
1 pc

D



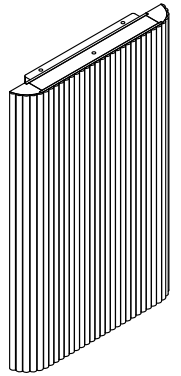
1 pc

E



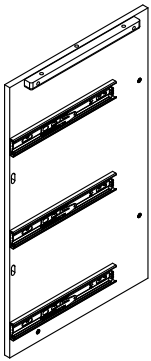
1 pc

F



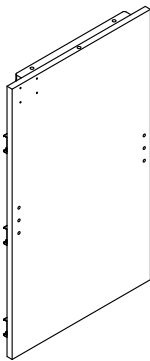
1 pc

G



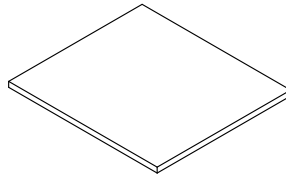
1 pc

H



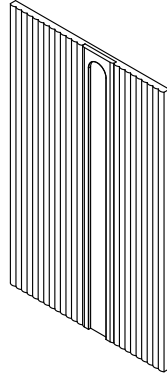
1 pc

J



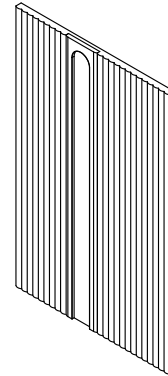
2 pcs

K



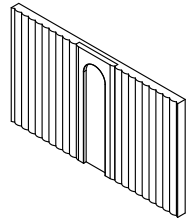
1 pc

L



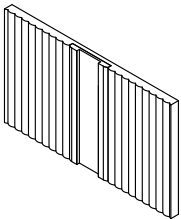
1 pc

M



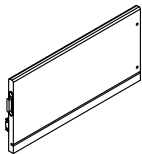
1 pc

N



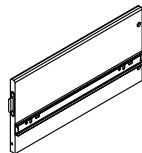
2 pcs

X



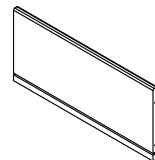
3 pcs

Y



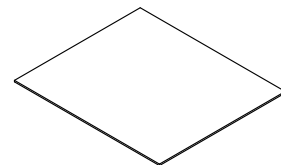
3 pcs

O



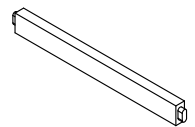
3 pcs

P



3 pcs

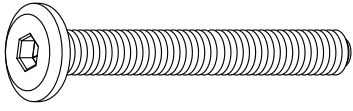
R



2 pcs

Hardware

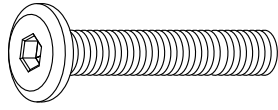
1



Ø6 * 65mm

4 PCS

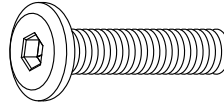
2



Ø6 * 45mm

18 PCS

3



Ø6 * 30mm

8 PCS

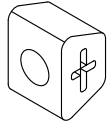
4



Ø10 * 13mm

8 PCS

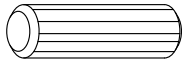
5



20 * 13 * 11mm

10 PCS

6



Ø8 * 20mm

14 PCS

7



Ø10 * 9mm

12 PCS

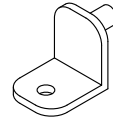
8



Ø4 * 25mm

12 PCS

9



20 * 15 * 13mm

8 PCS

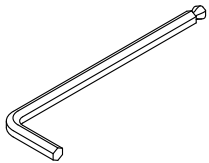
10



Ø3.5 * 15mm

40 PCS

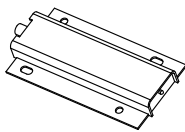
11



Ø4 * 110mm

1 PC

12



2 PCS

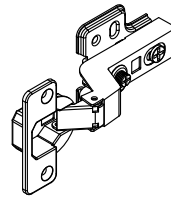
13



Ø12 * 10mm

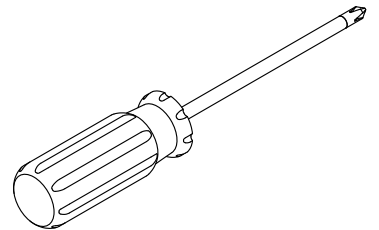
2 PCS

14

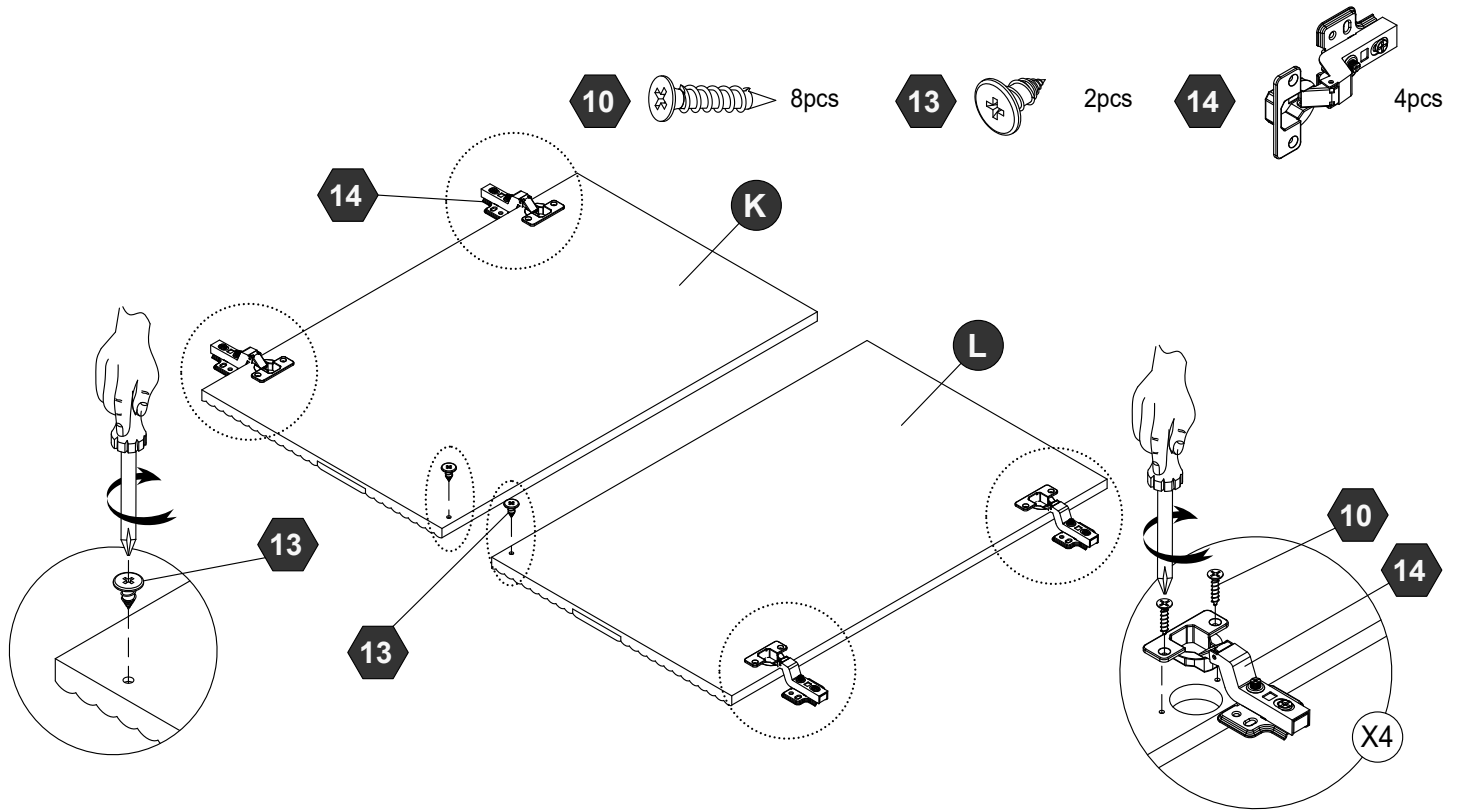


4 PCS

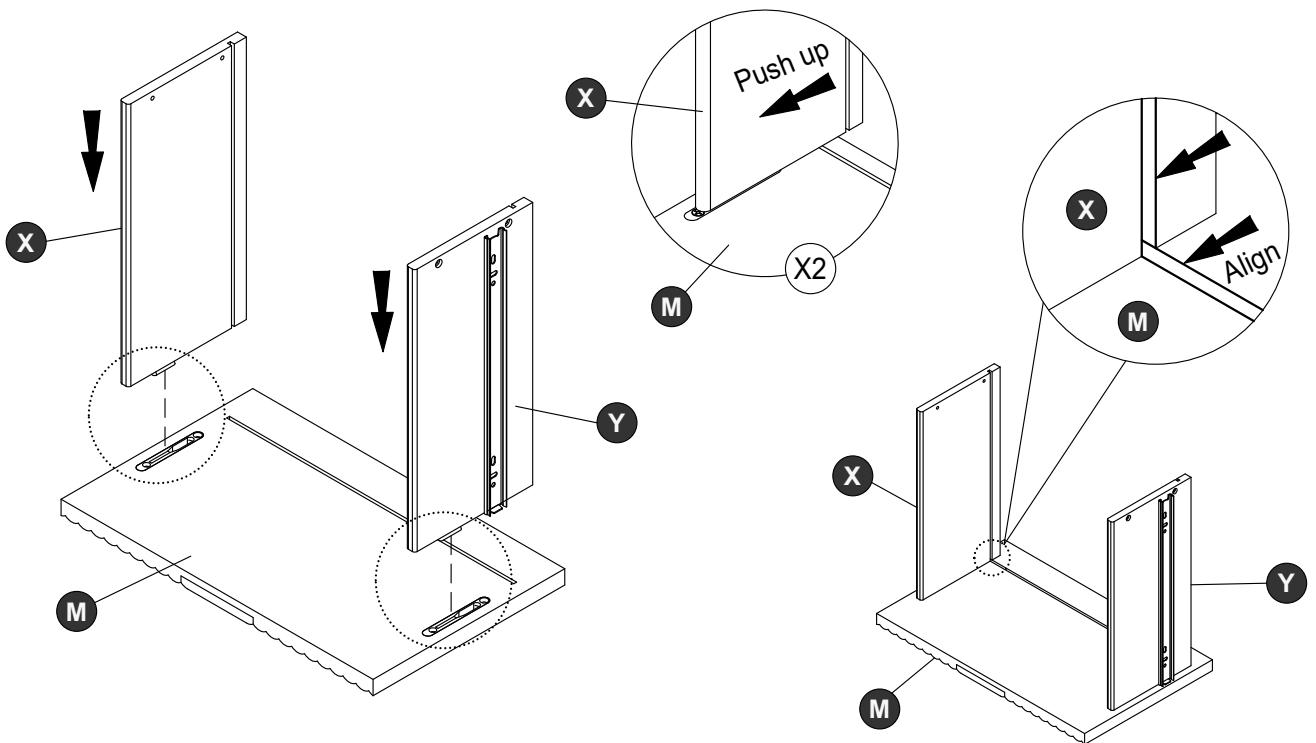
NOT INCLUDED
Phillips Screwdriver required:



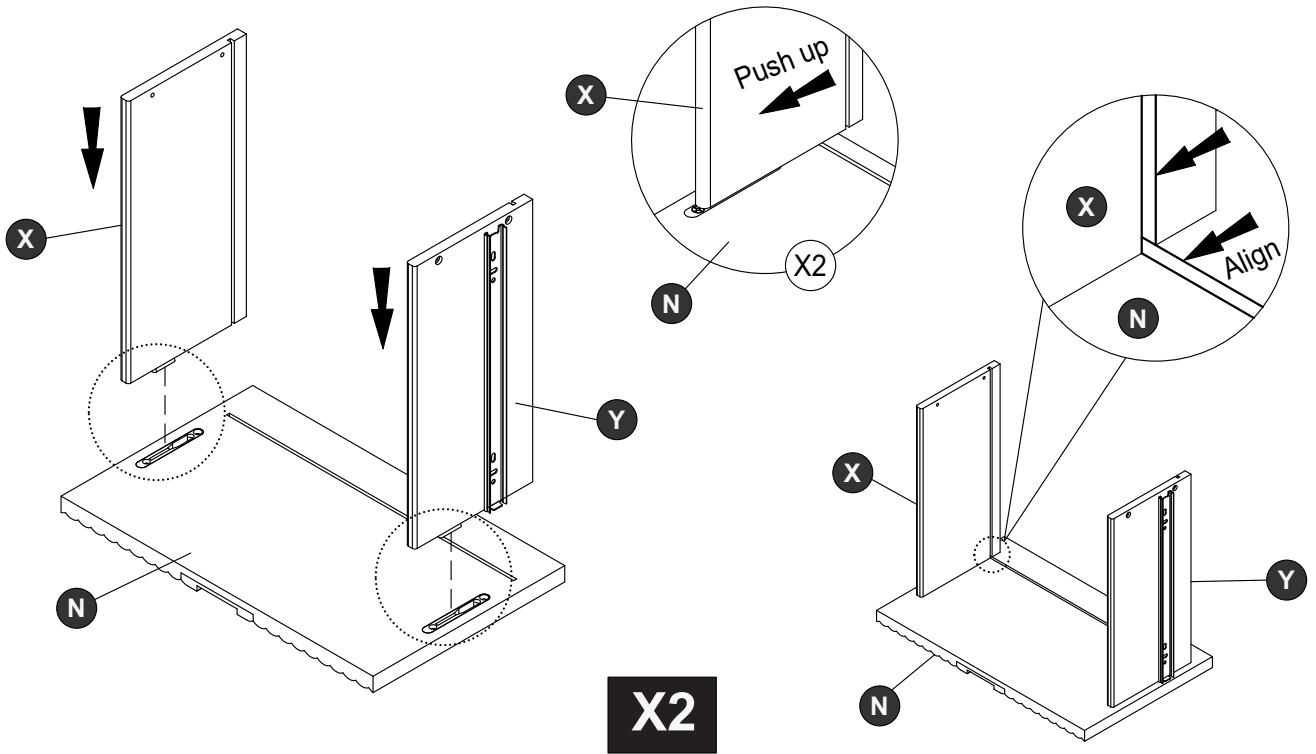
Step 1



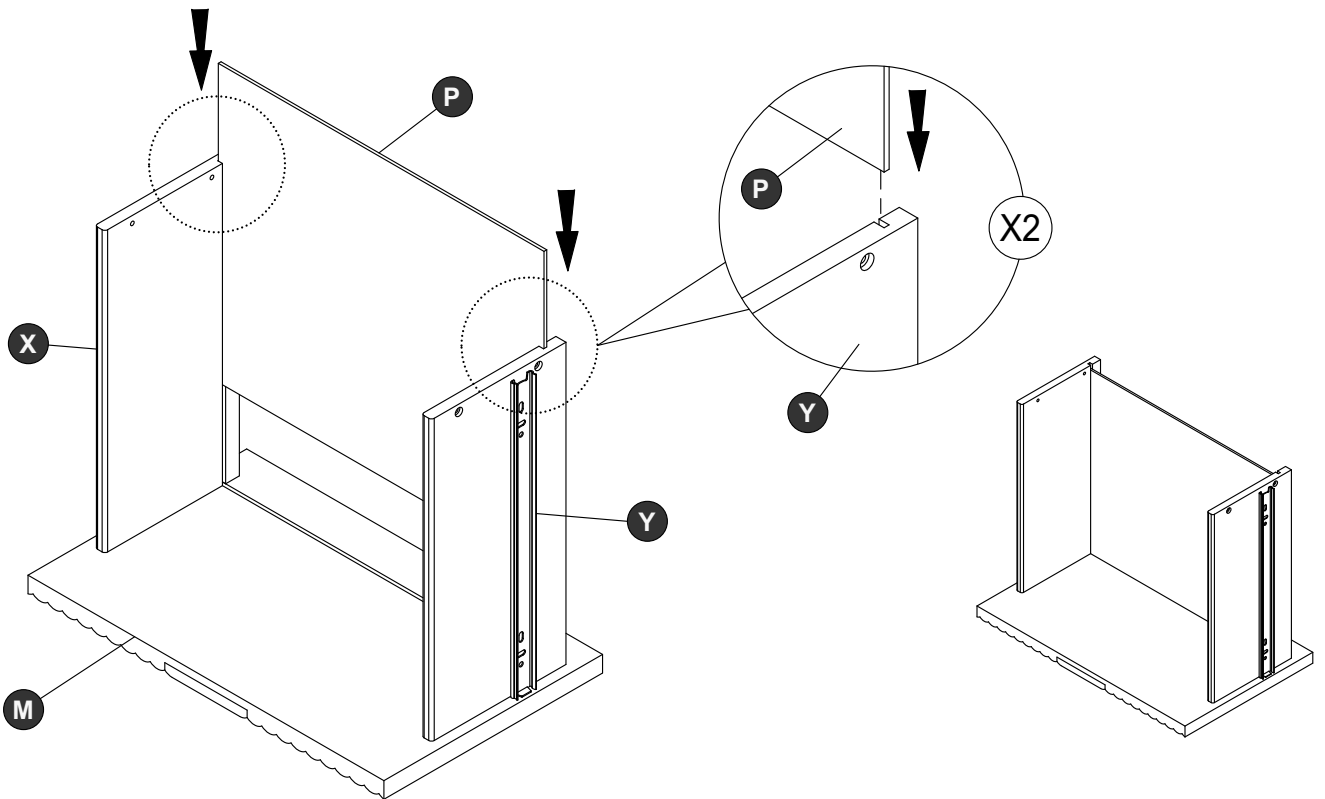
Step 2



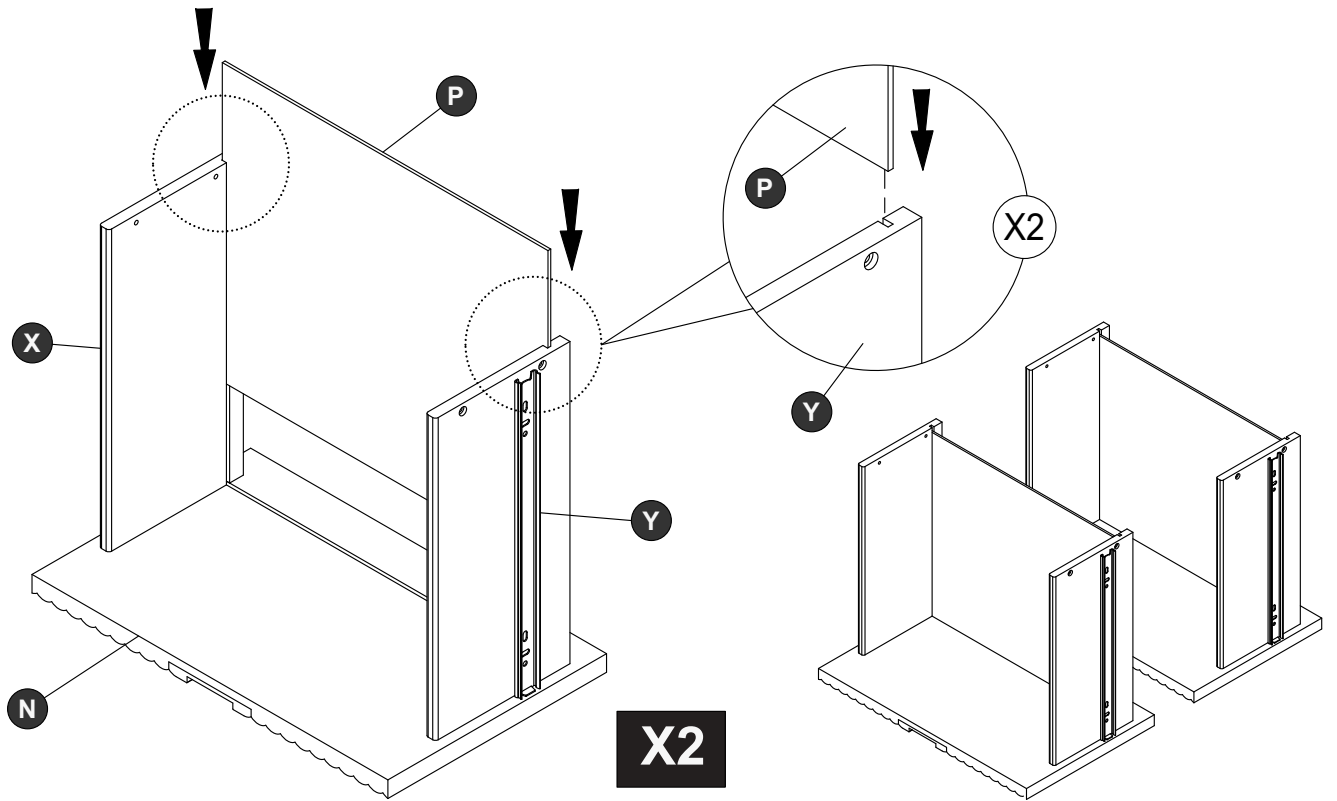
Step 3



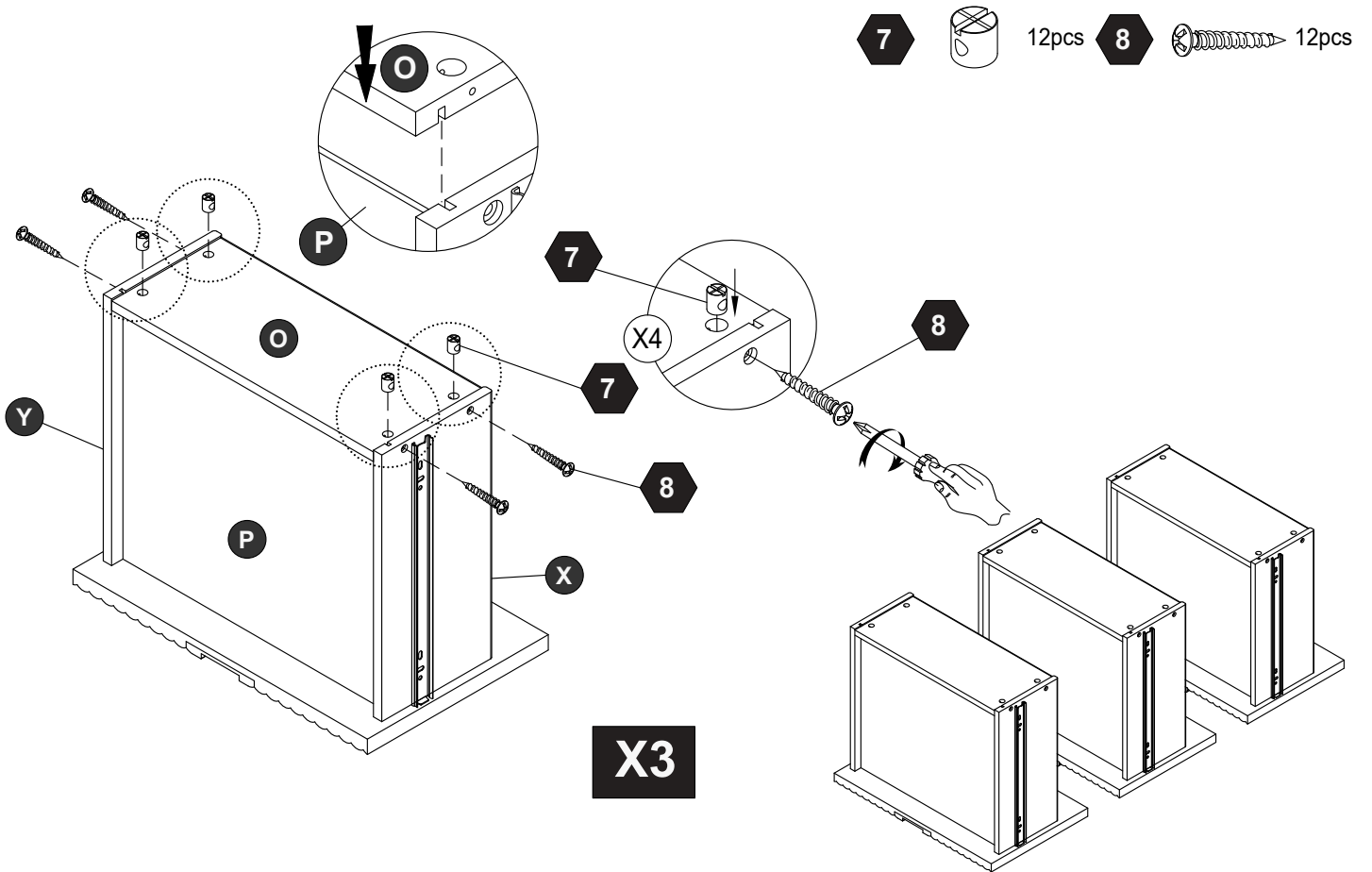
Step 4



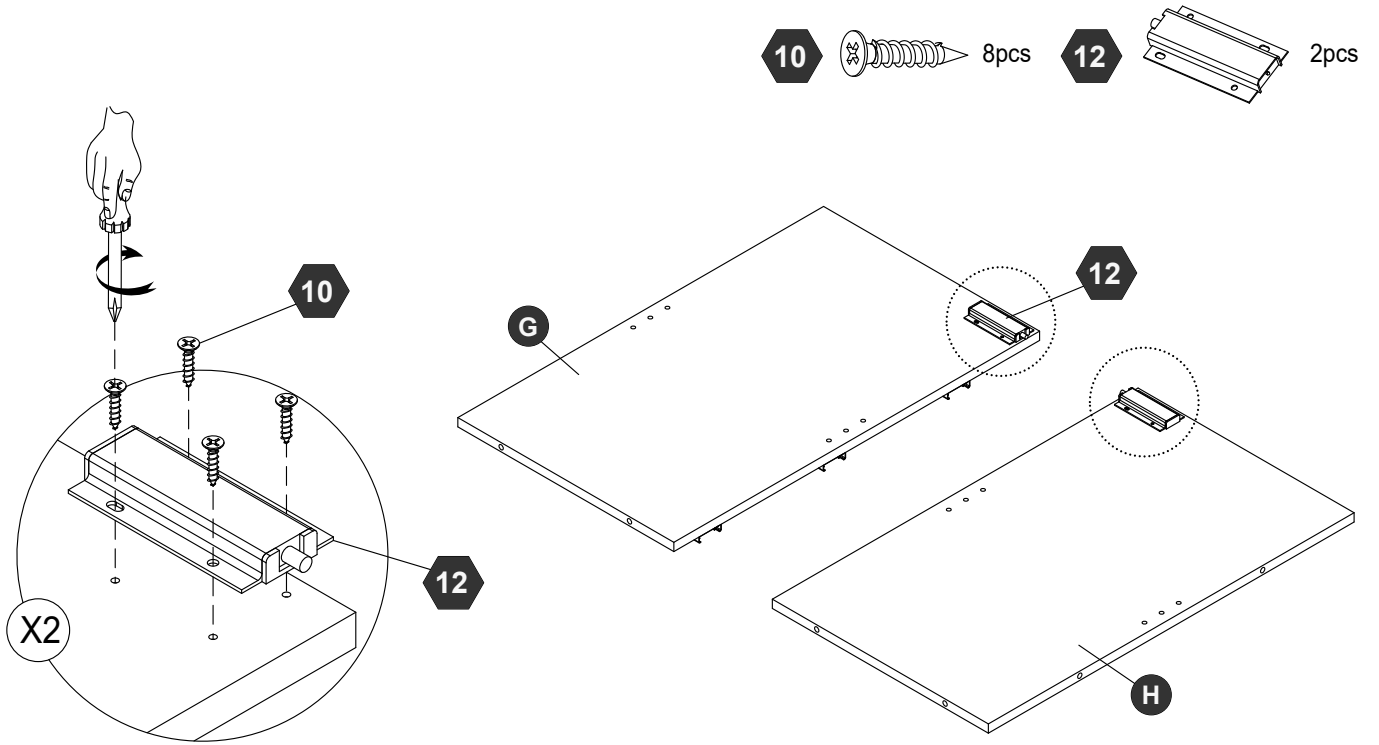
Step 5



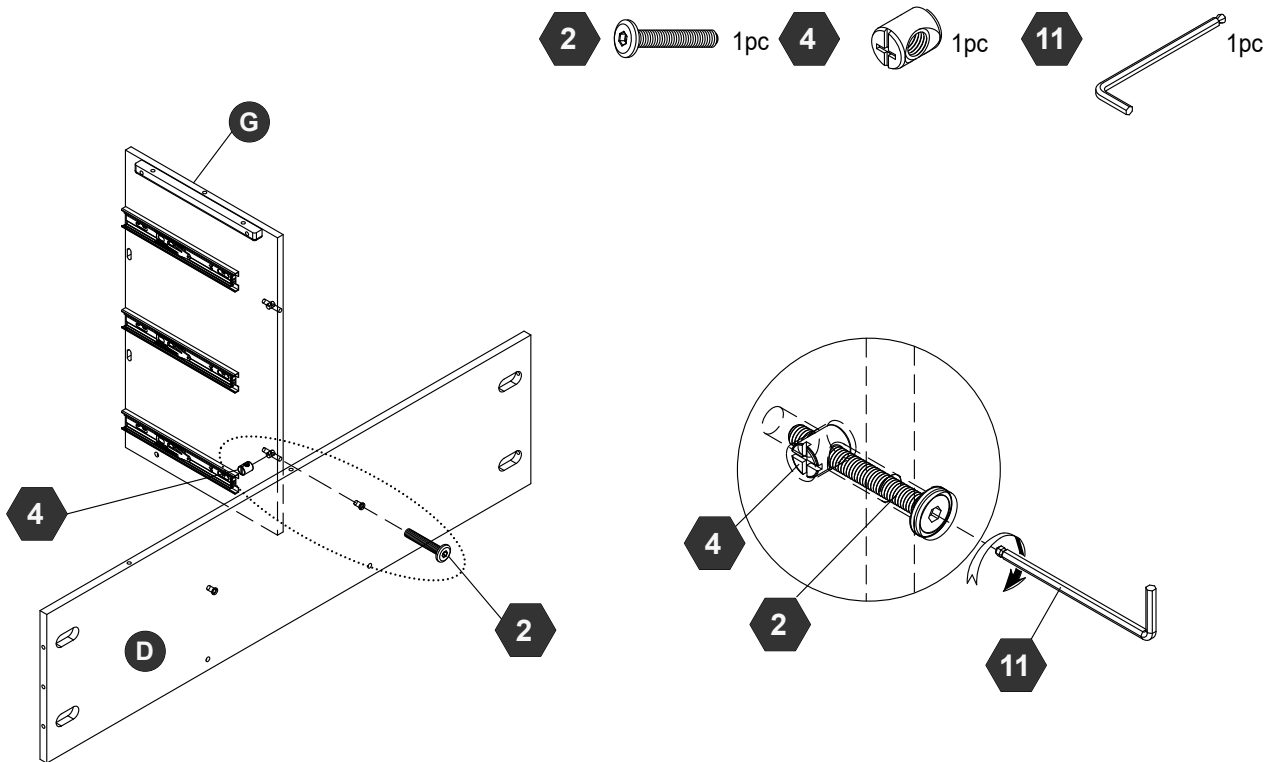
Step 6



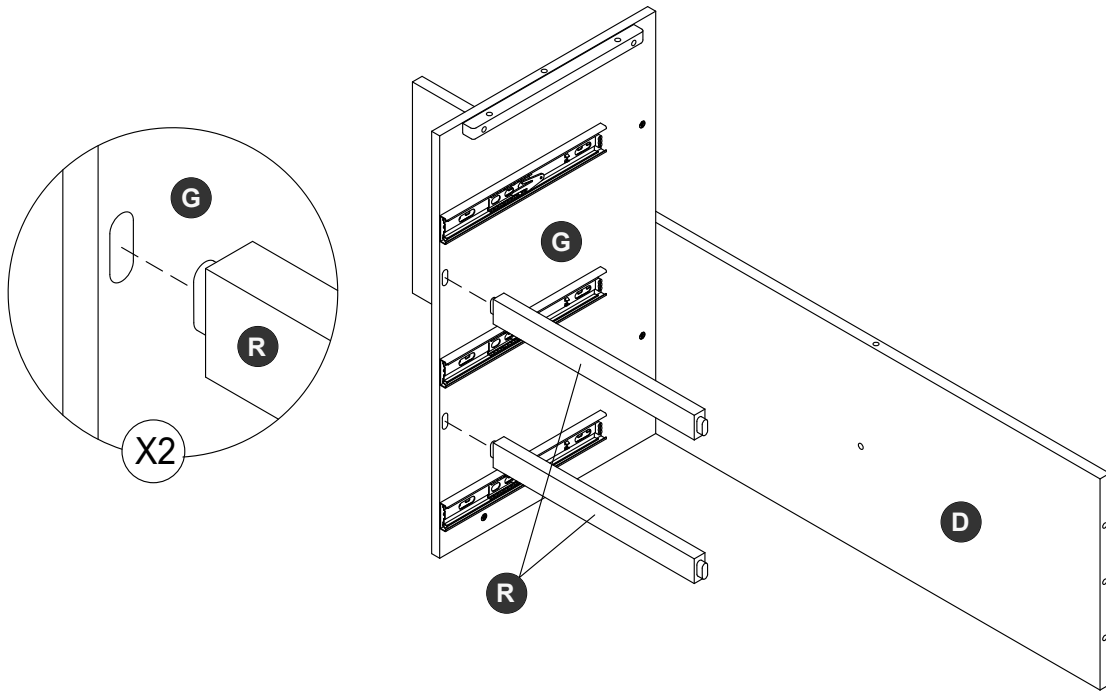
Step 7



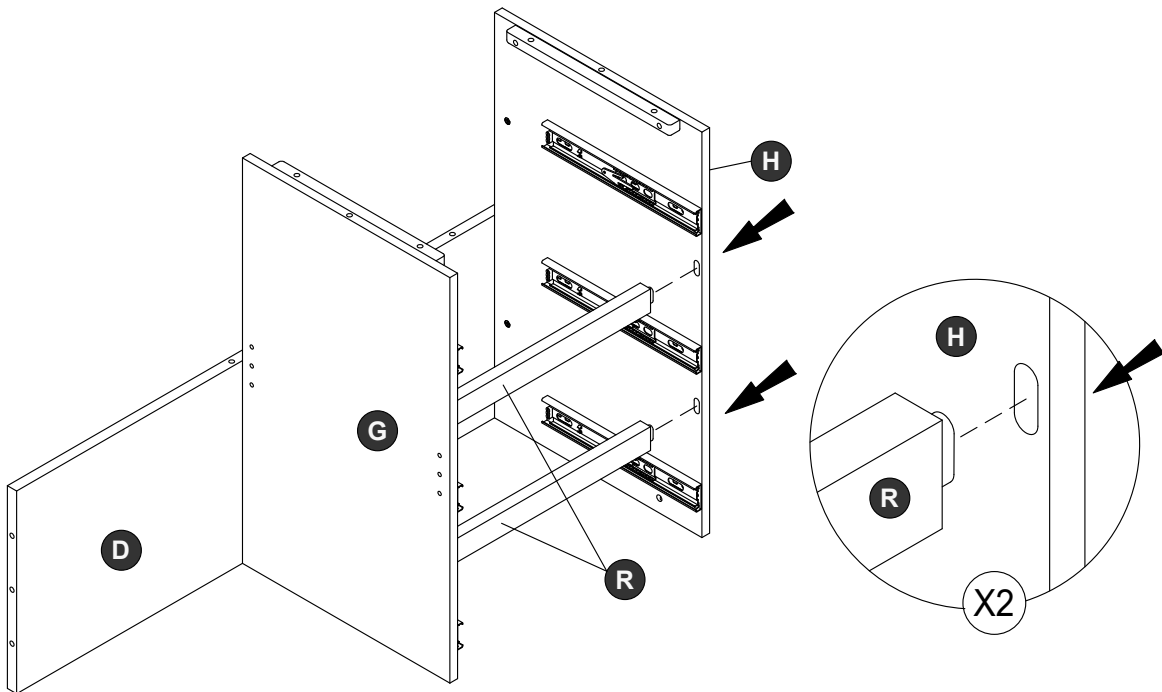
Step 8



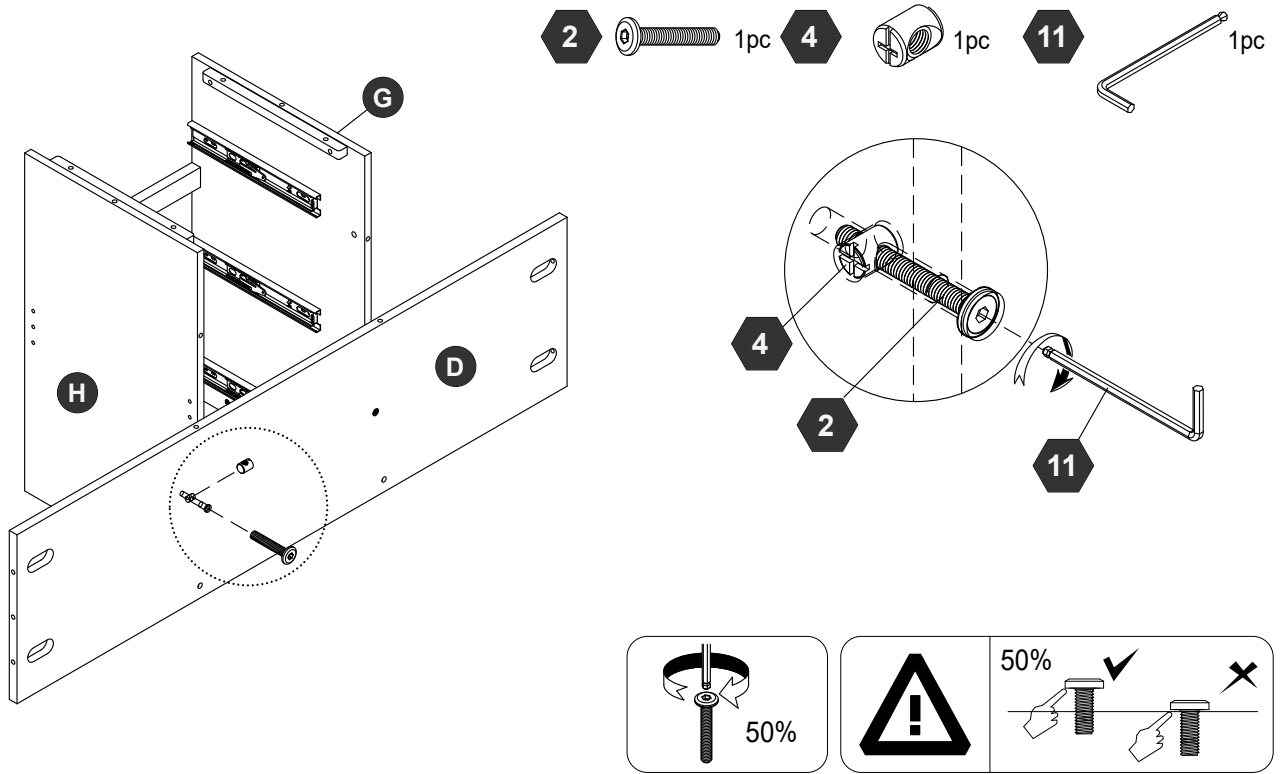
Step 9



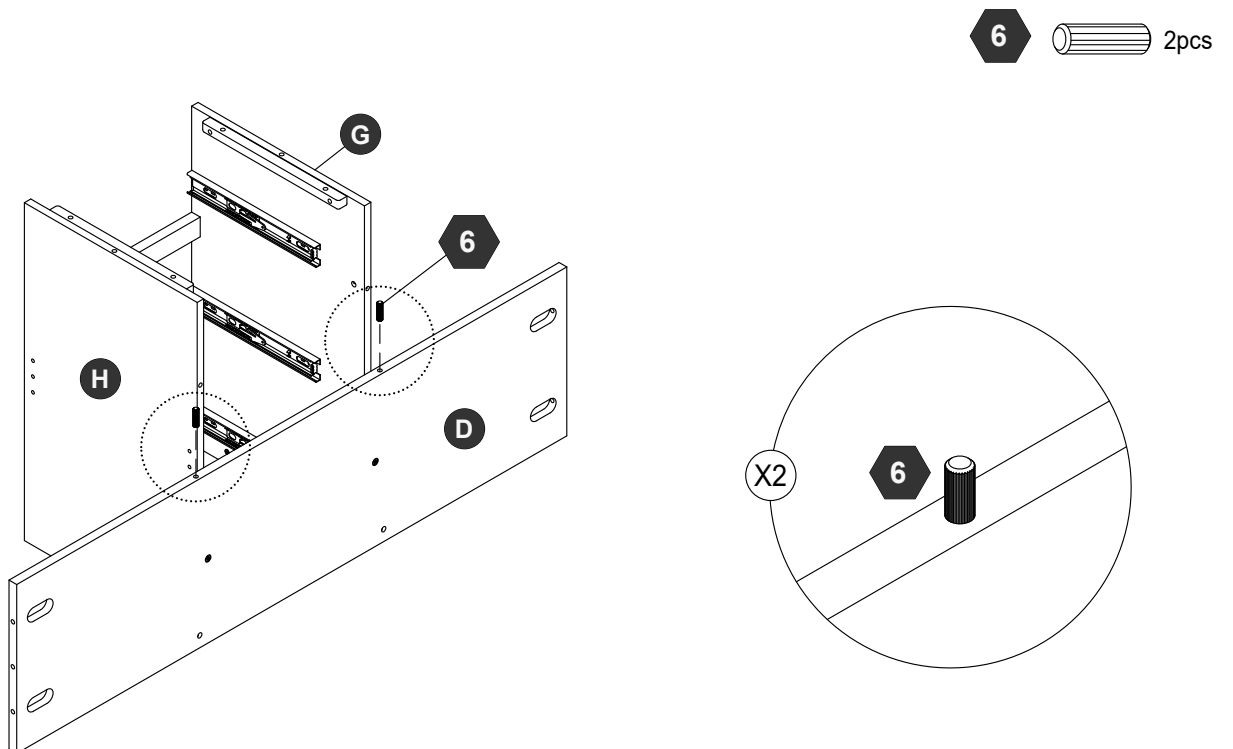
Step 10



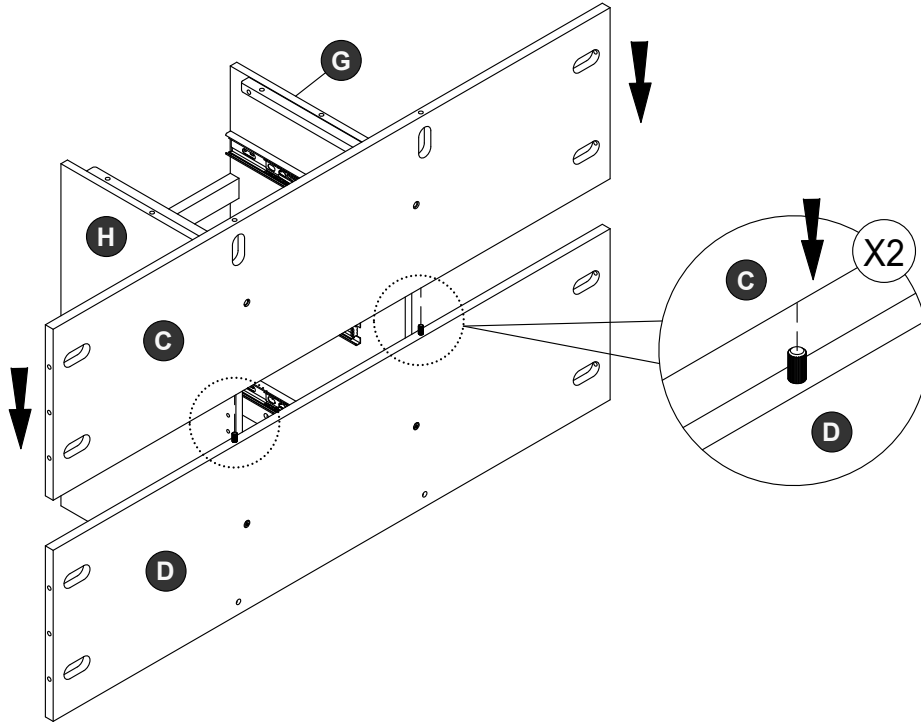
Step 11



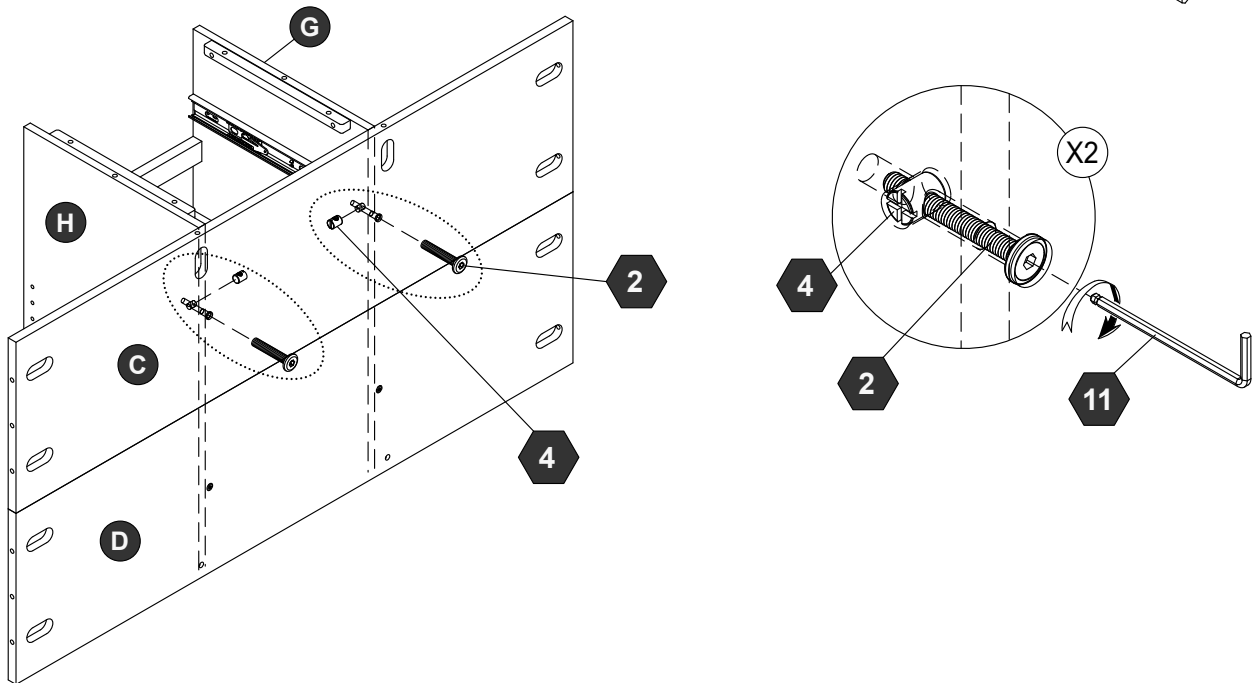
Step 12




Step 13

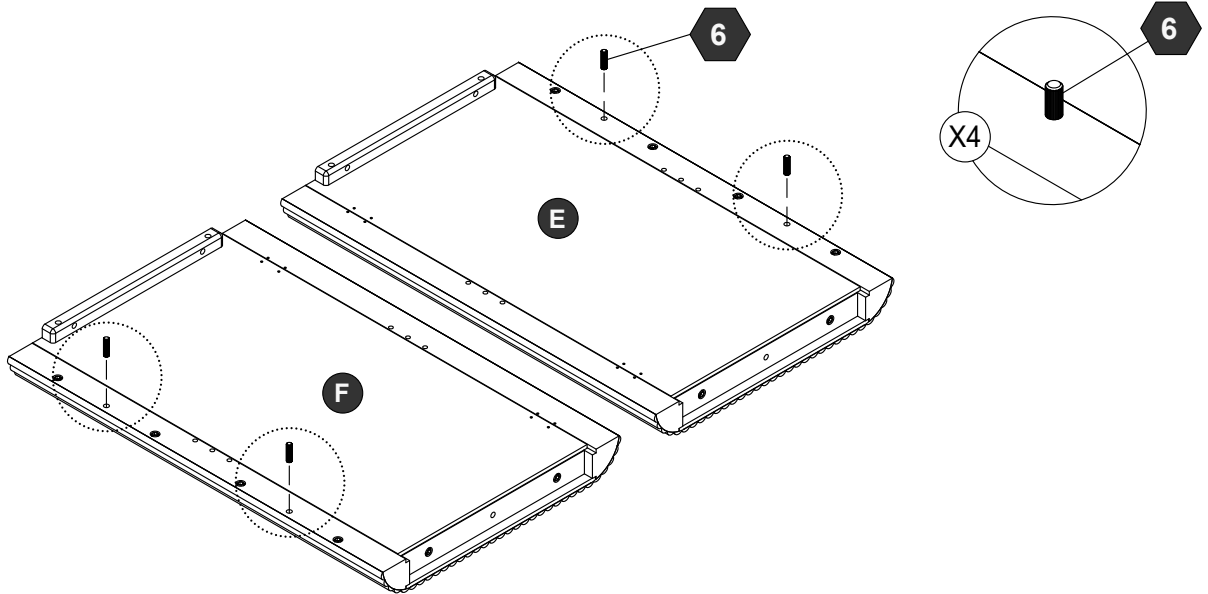


Step 14



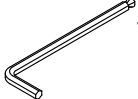


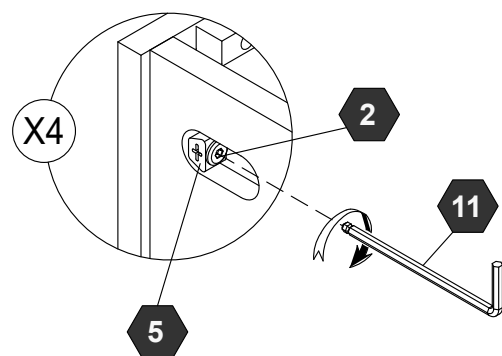
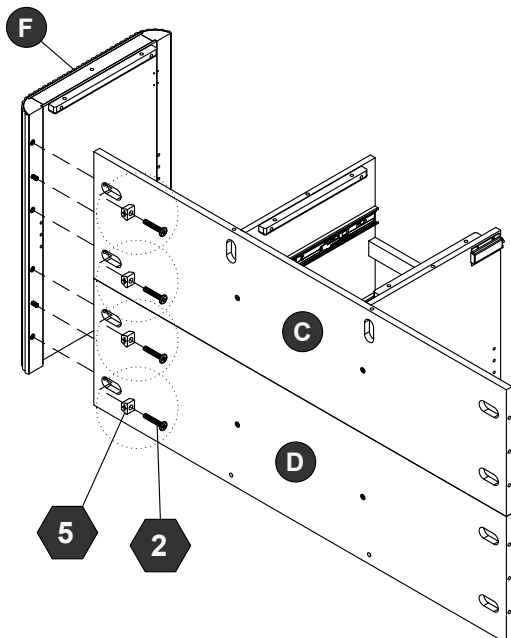
Step 15

6  4pcs



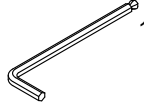


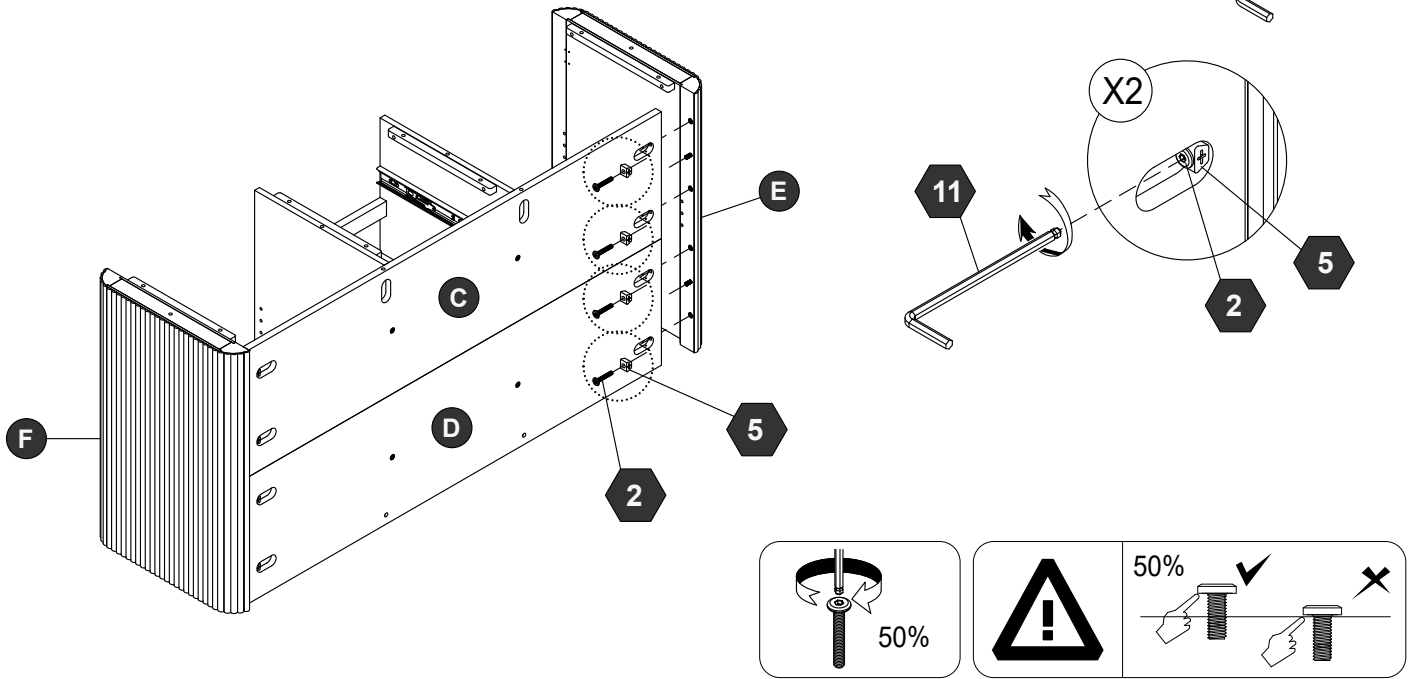
Step 16

2  4pcs 5  4pcs 11  1pc



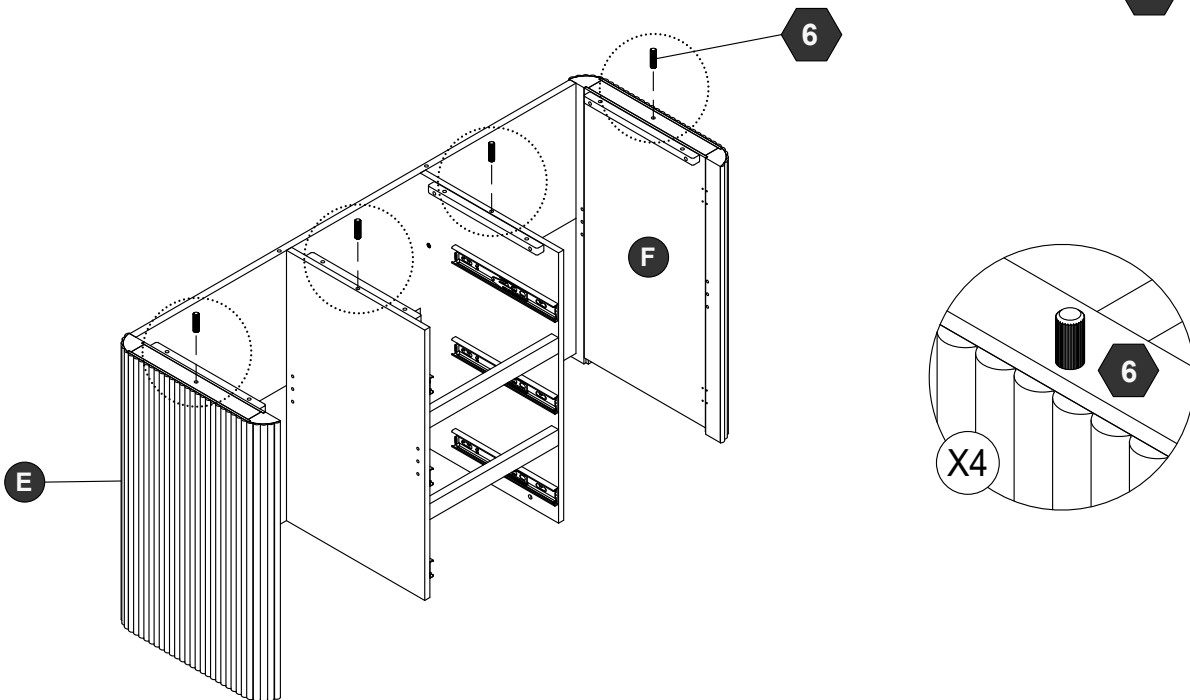
Step 17

- 2  4pcs
- 5  4pcs
- 11  1pc

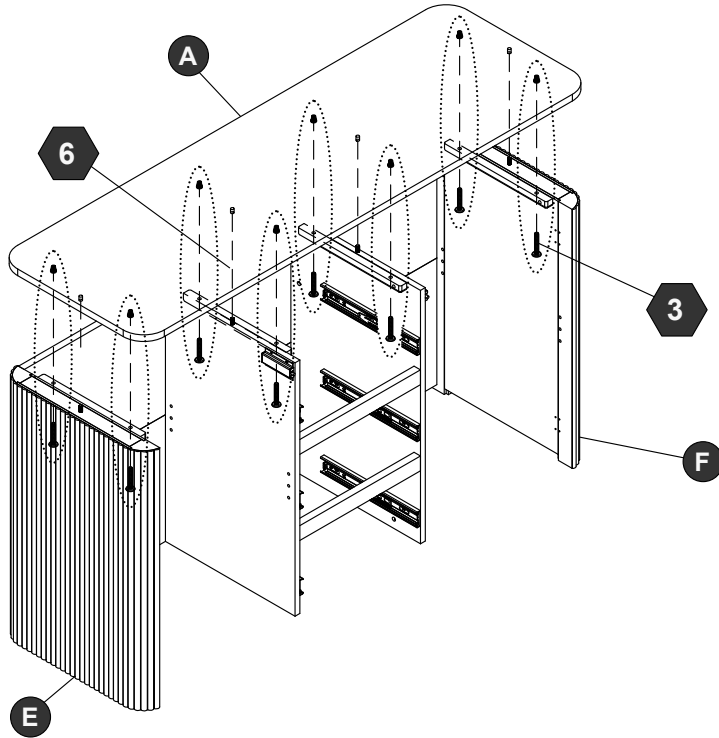


Step 18

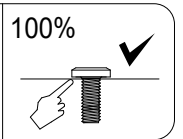
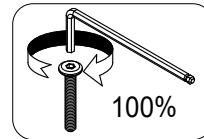
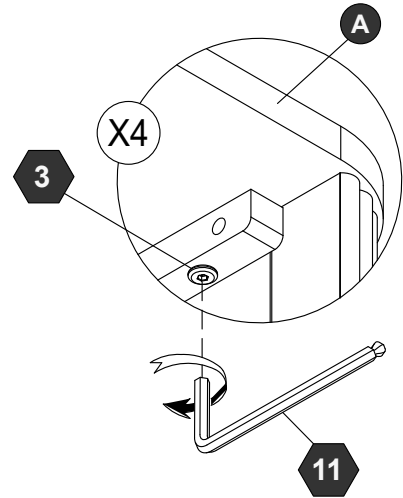
- 6  4pcs



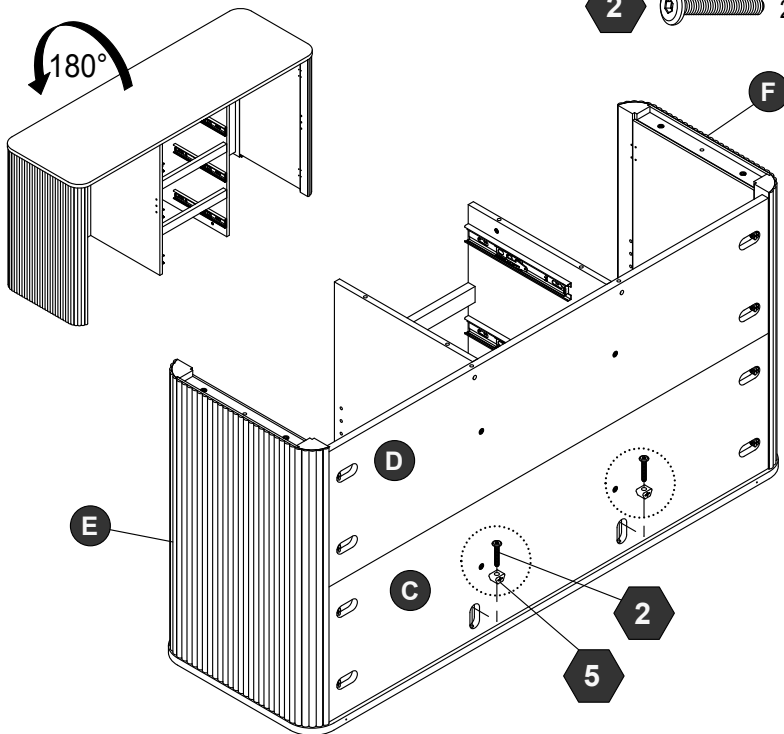
Step 19



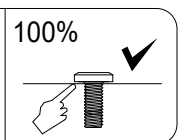
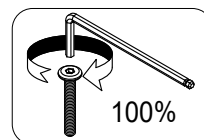
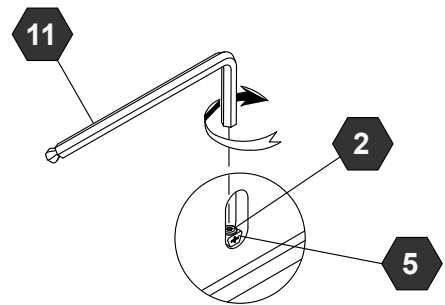
3 8pcs 11 1pc



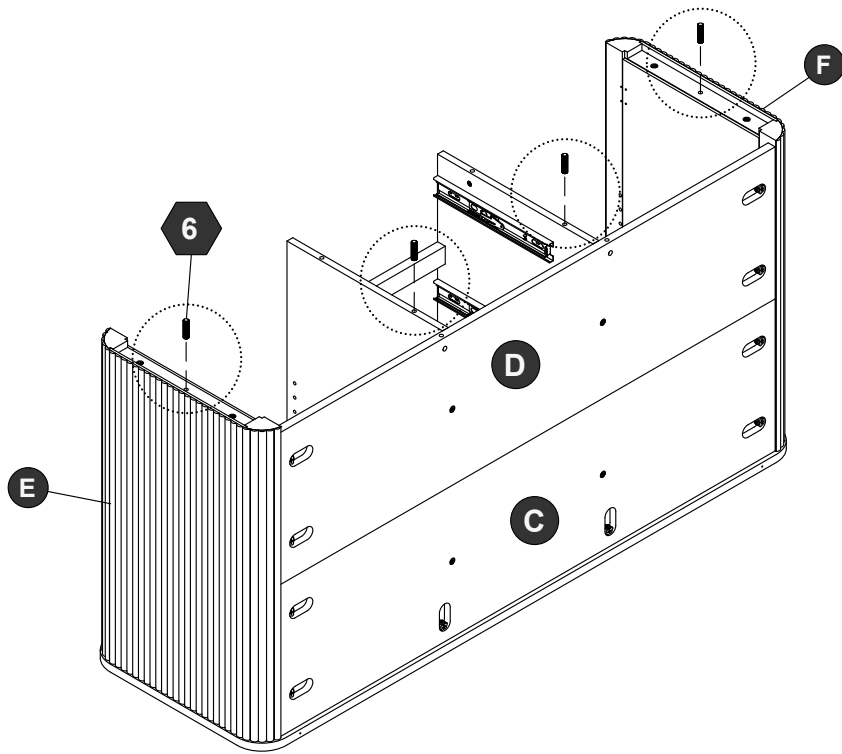
Step 20



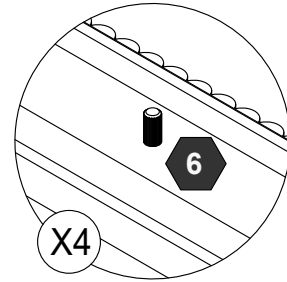
2 2pcs 5 2pcs 11 1pc



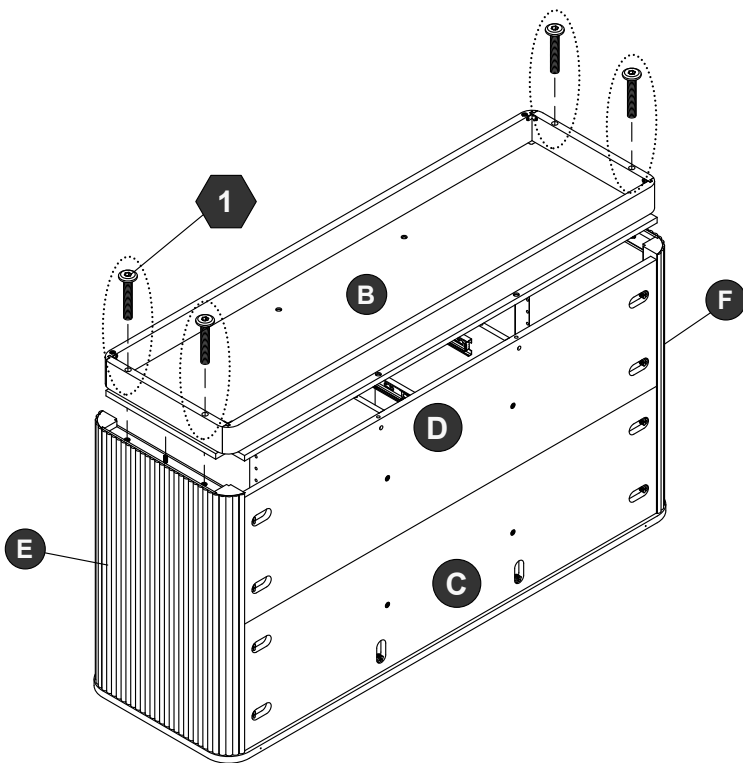
Step 21




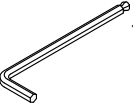
6  4pcs

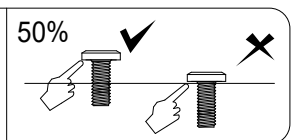
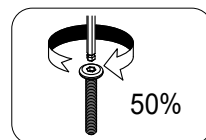
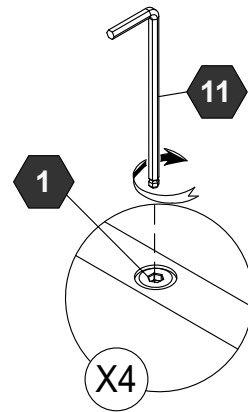


Step 22

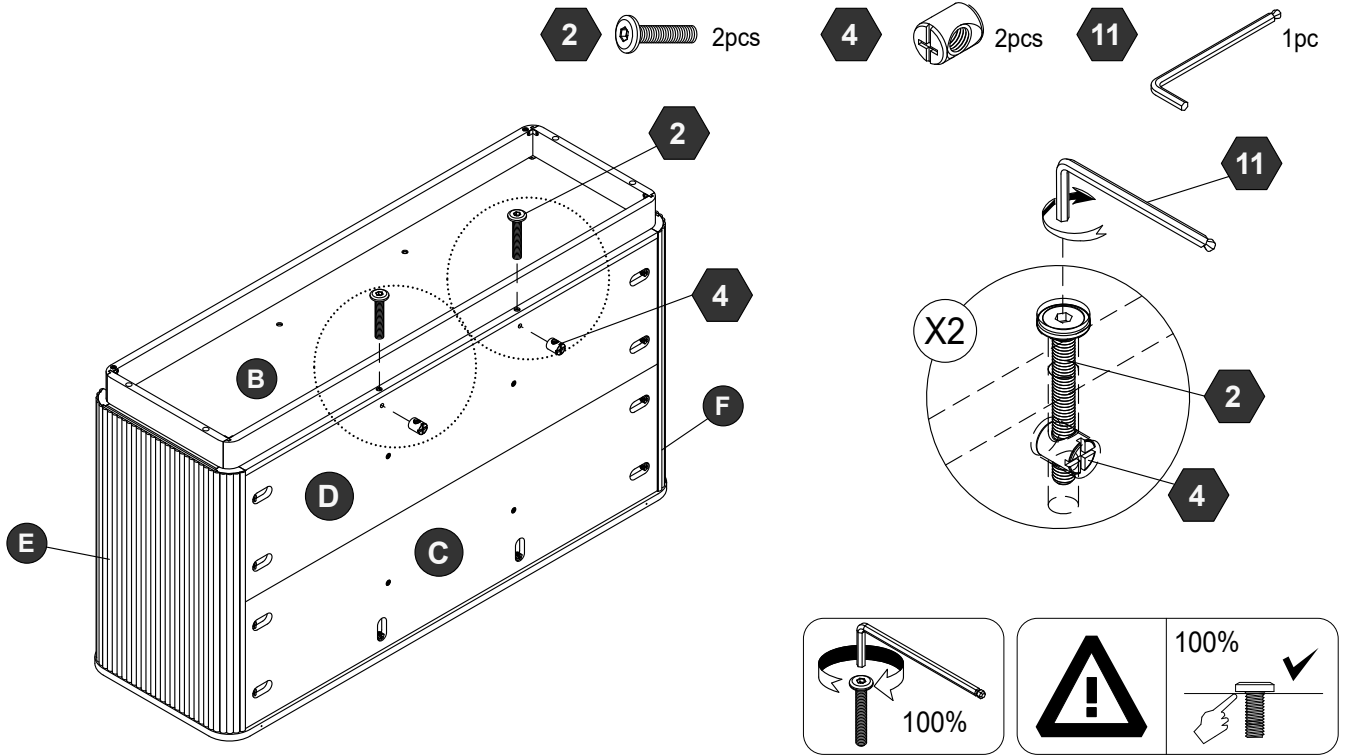


1  4pcs

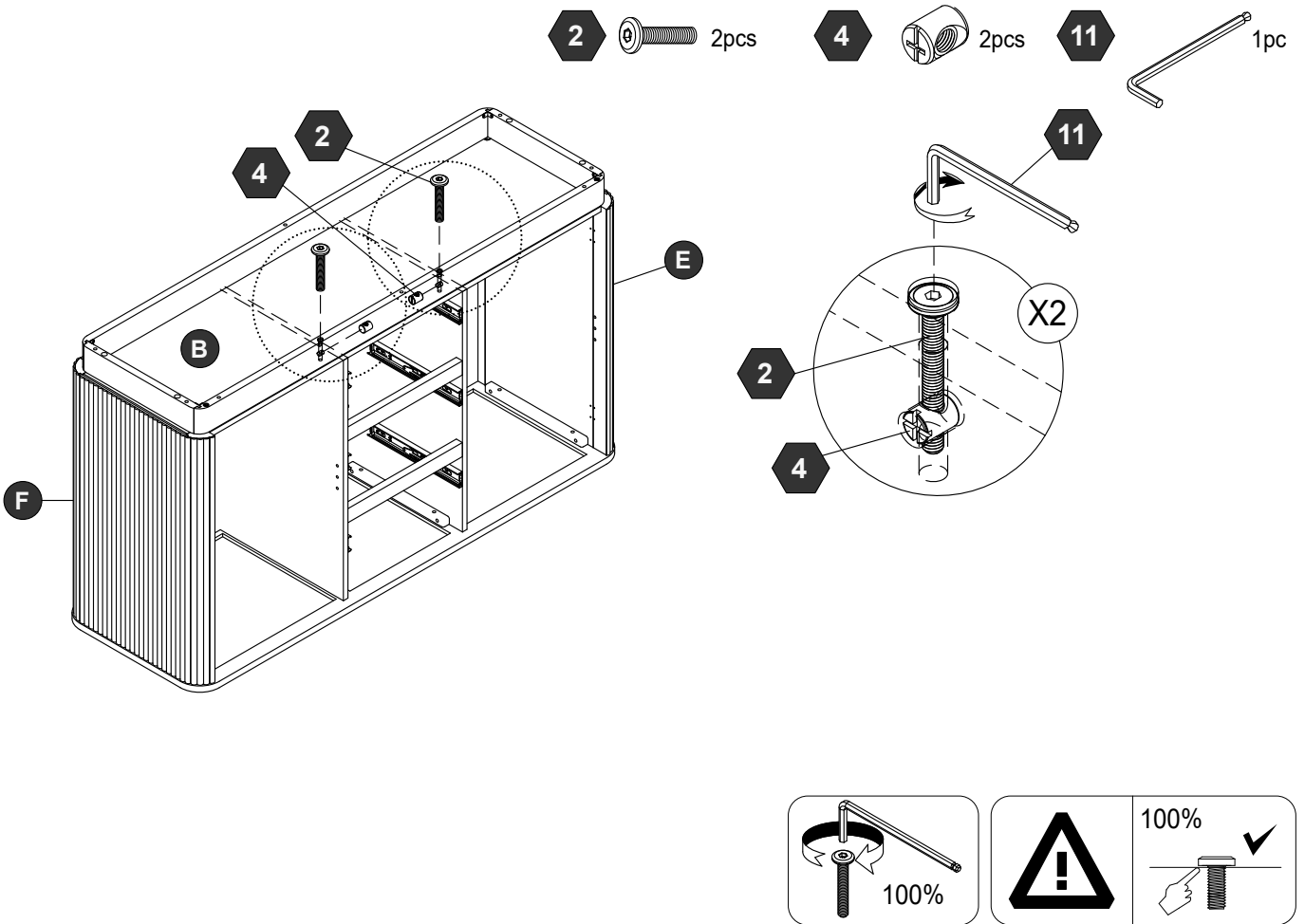
11  1pc



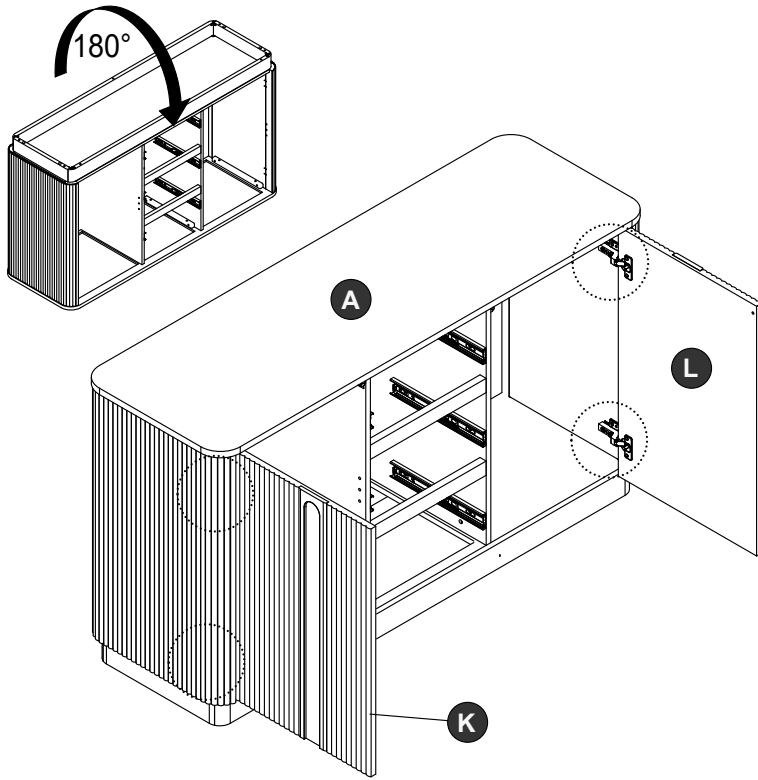
Step 23



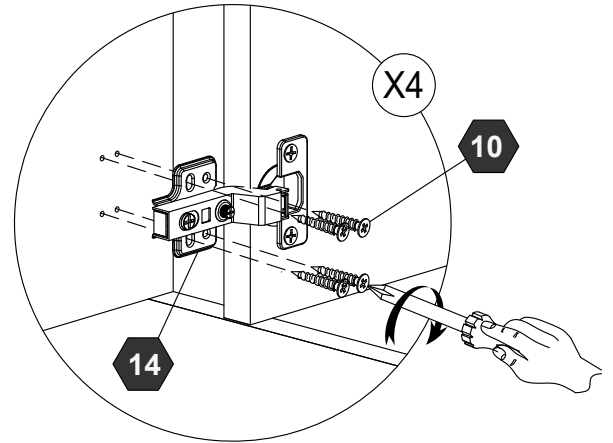
Step 24



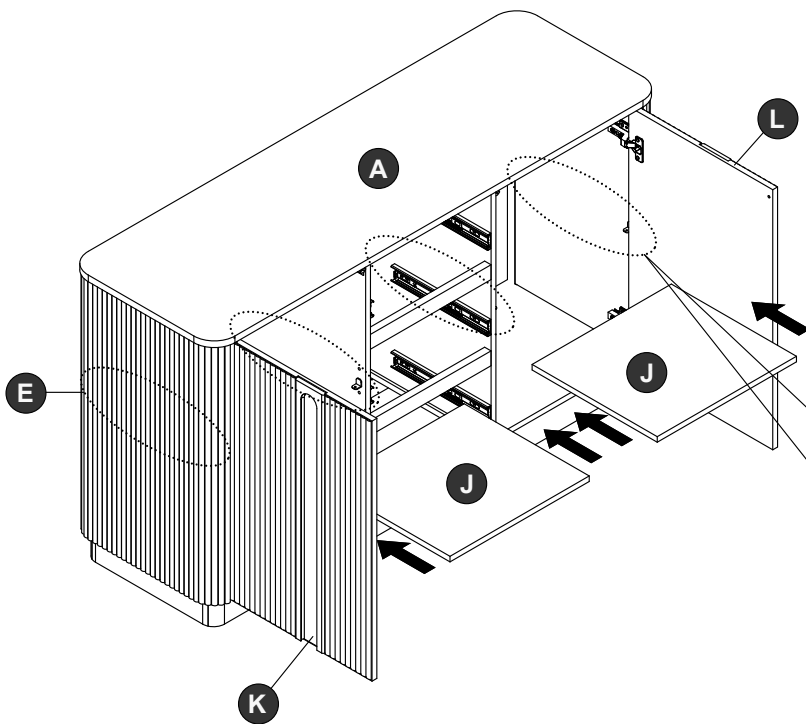
Step 25



10  16pcs

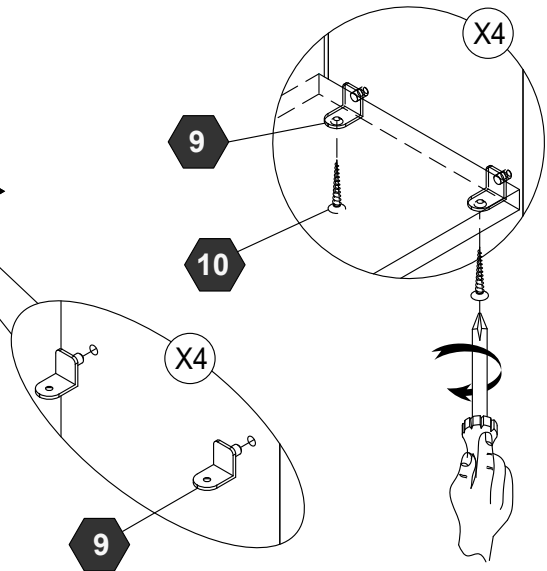


Step 26

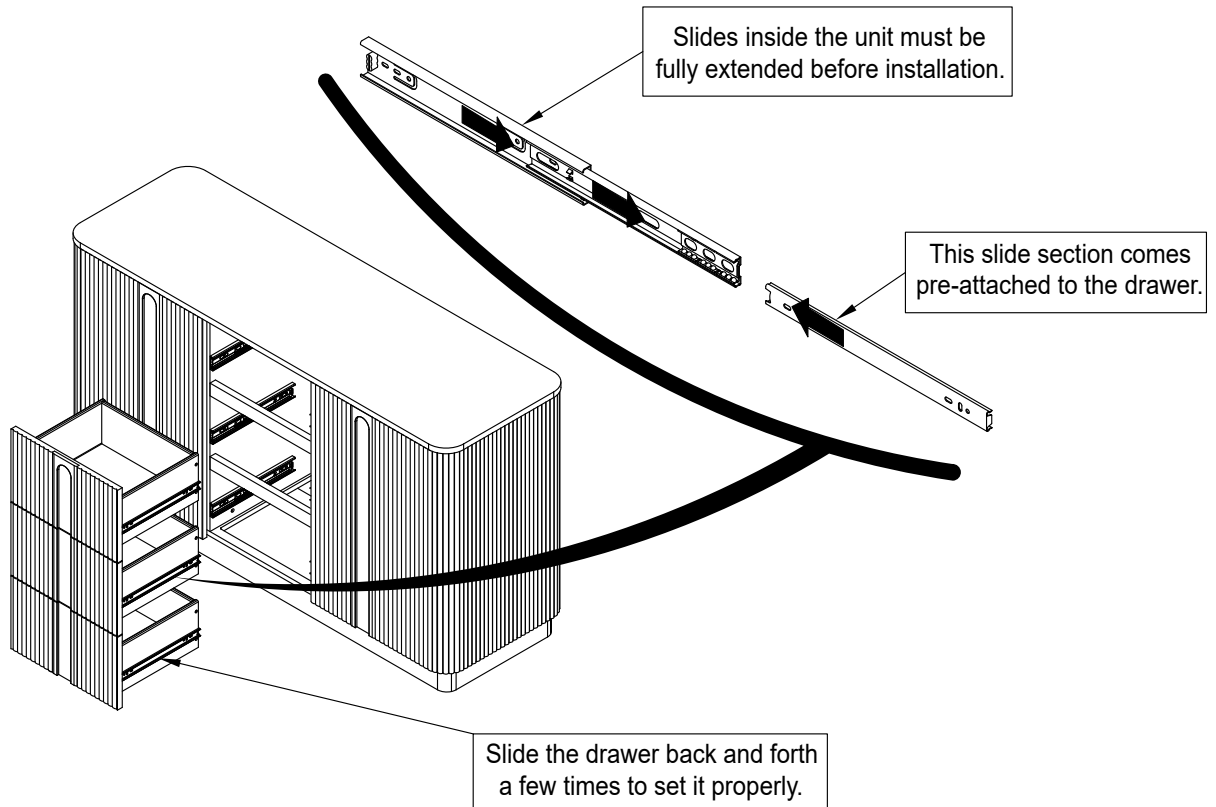


10  8pcs

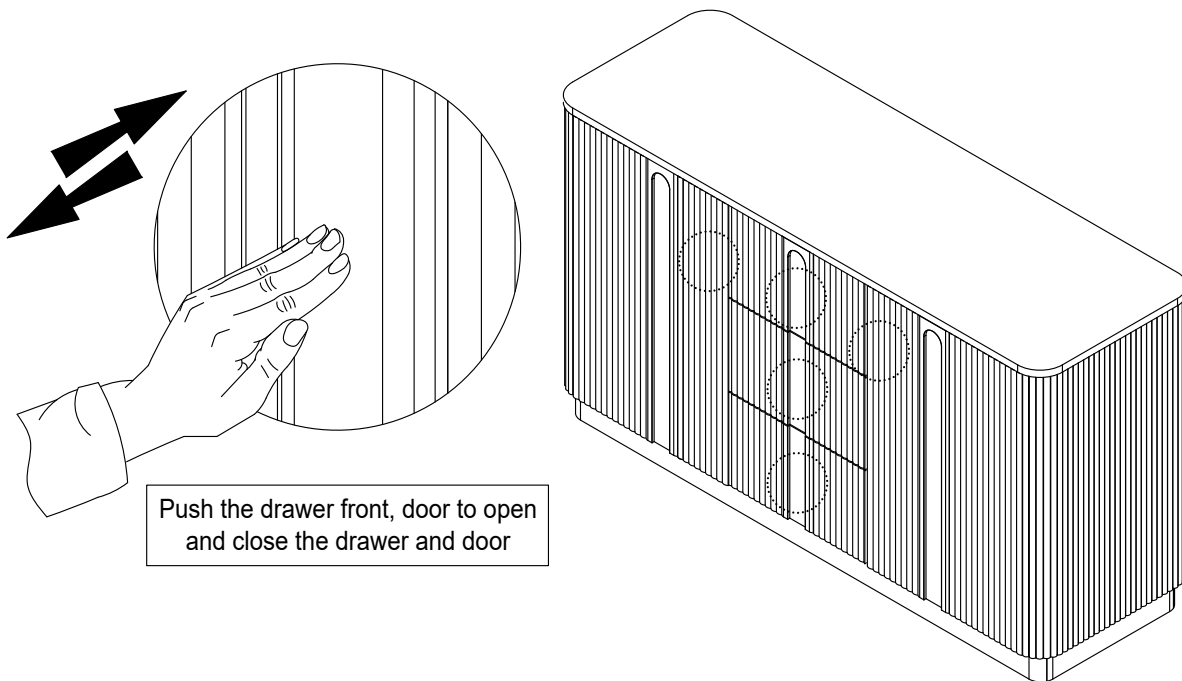
9  8pcs



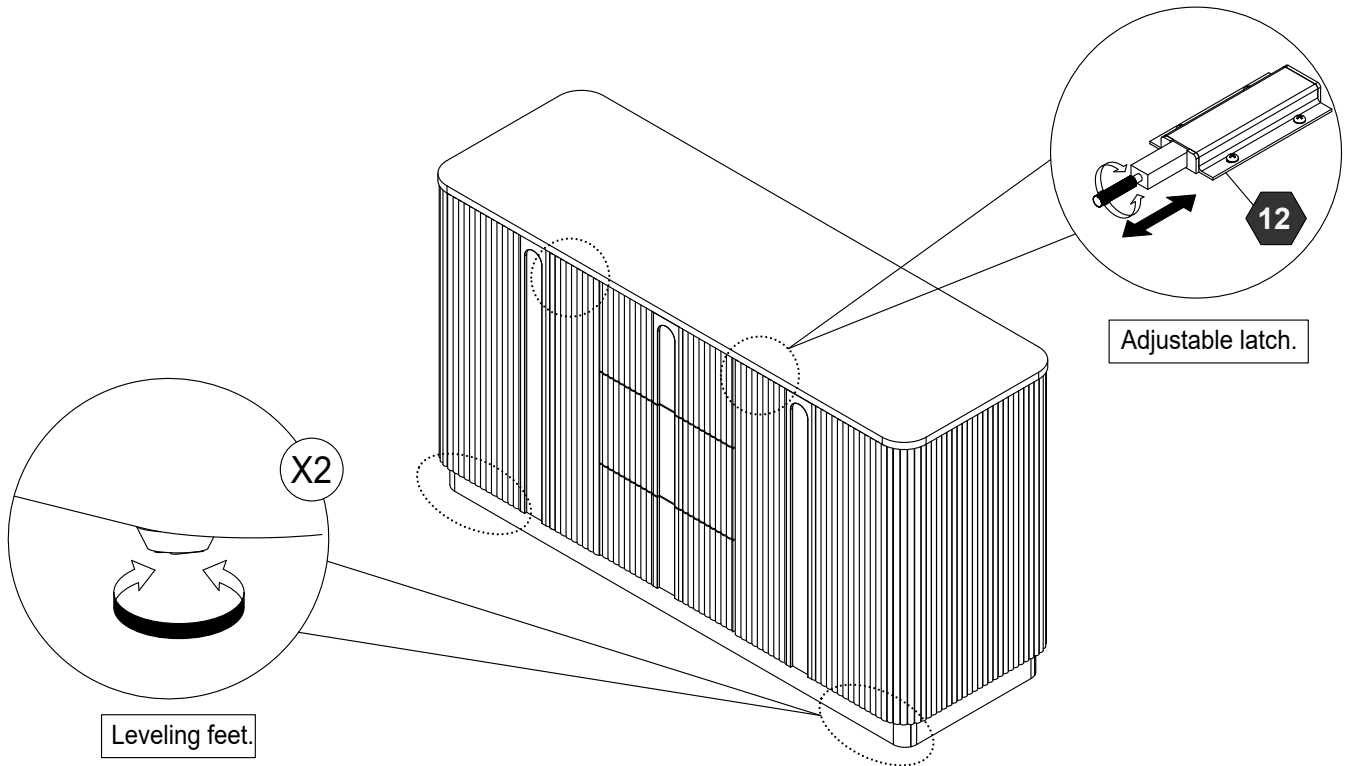
Step 27



Step 28

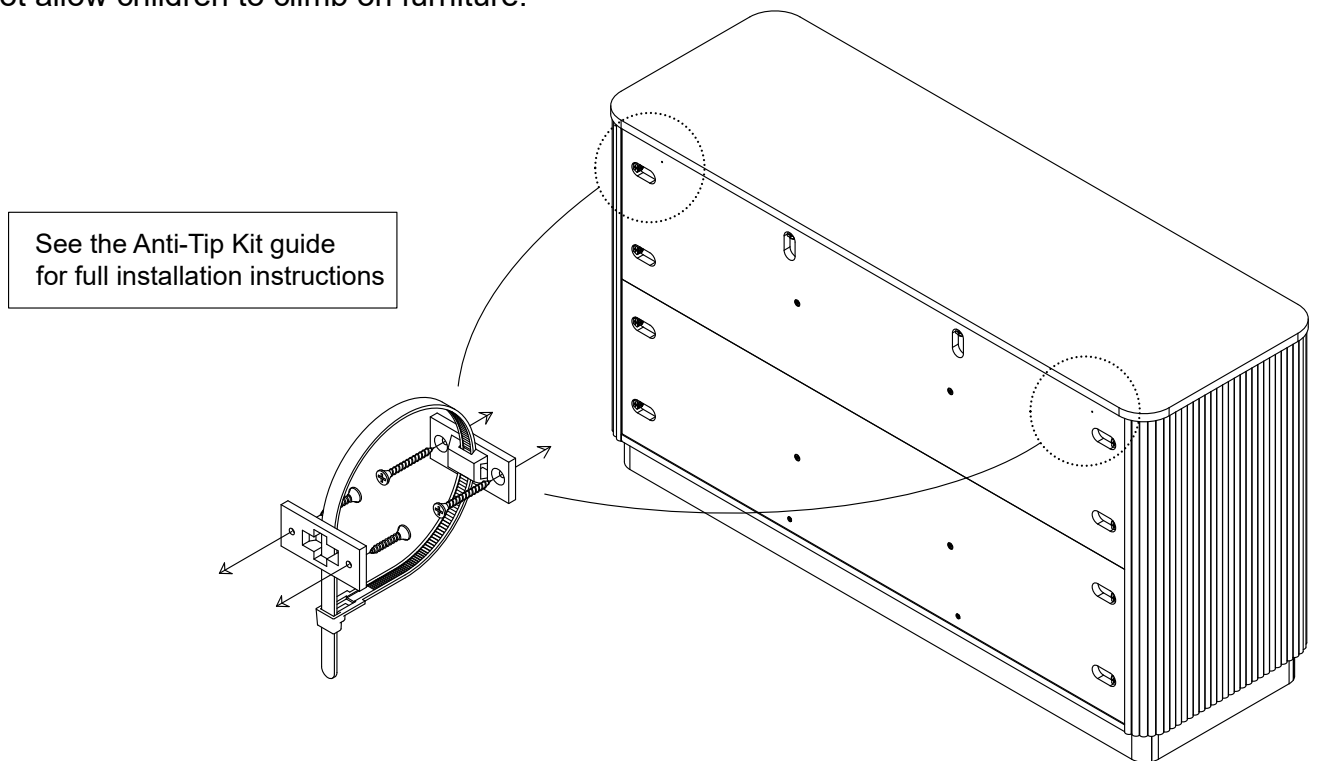


Step 29



Anti Tip Kit Installation

Caution: Serious or fatal injuries can occur from furniture tip-over. To help prevent furniture tip-over, use provided mounting hardware to secure furniture to the wall. This may reduce but not eliminate to the risk of furniture tip-over. Do not allow children to climb on furniture.



Adjusting Doors

