

Installation instruction

Five Steps to Put Together

1. Check whether the accessories are complete.
2. Clear hole positions and corresponding accessories.
3. Roughly understand the installation sequence.
4. Remove the protective film.
5. Do it!

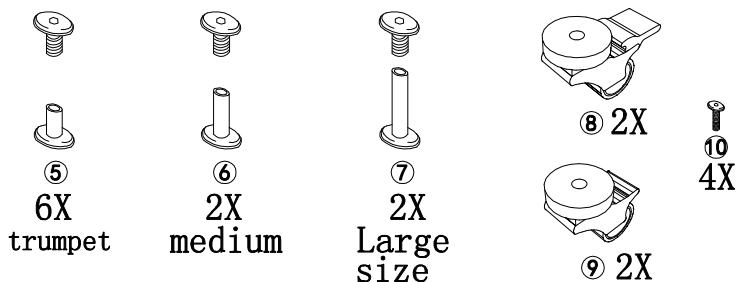
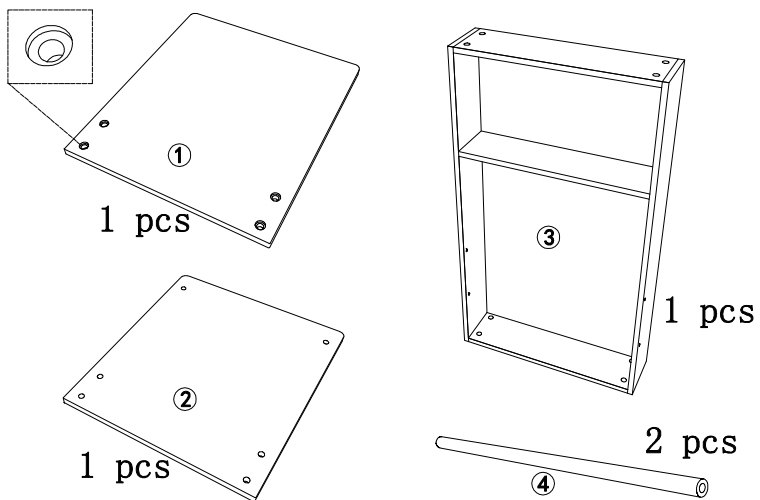
Care instruction

Usually: soft cloth + water.
Stubborn stains: Acrylic furniture can be wiped clean with Naphtha.

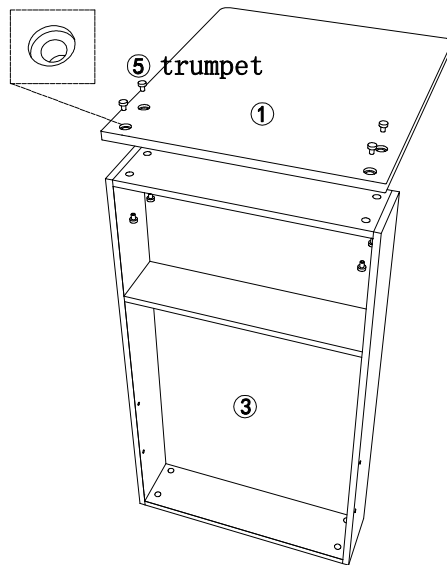
Never wipe with harsh liquids such as gasoline or essential balm.

Never expose to the sun for a long time.

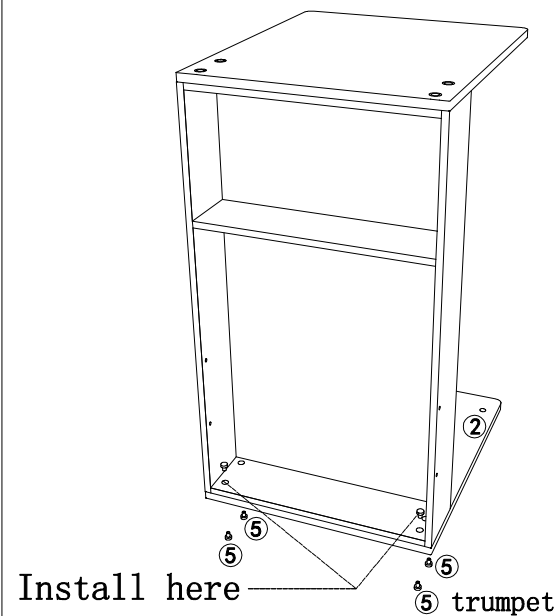
Parts and hole position:



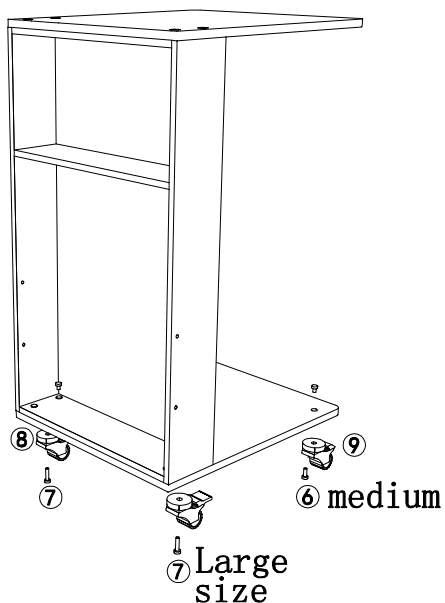
Step 1



Step 2



Step 3



Step 4

