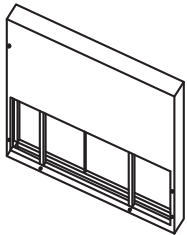
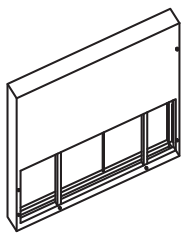
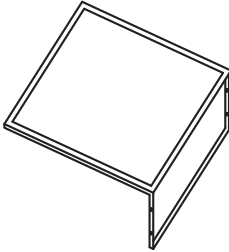

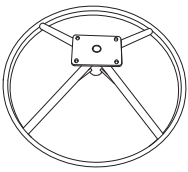
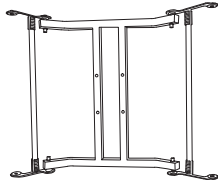
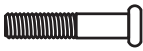


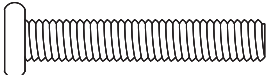
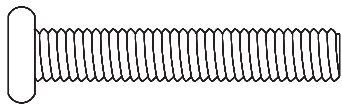
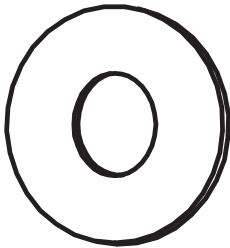
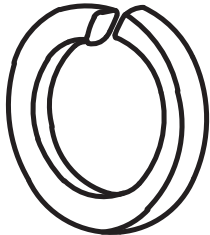
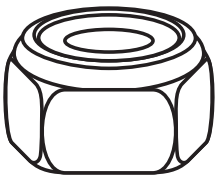


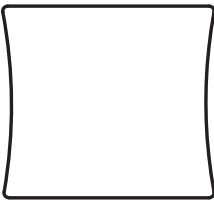
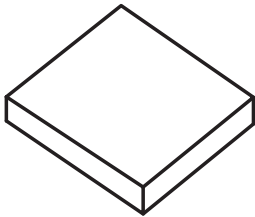


# ASSEMBLY INSTRUCTION

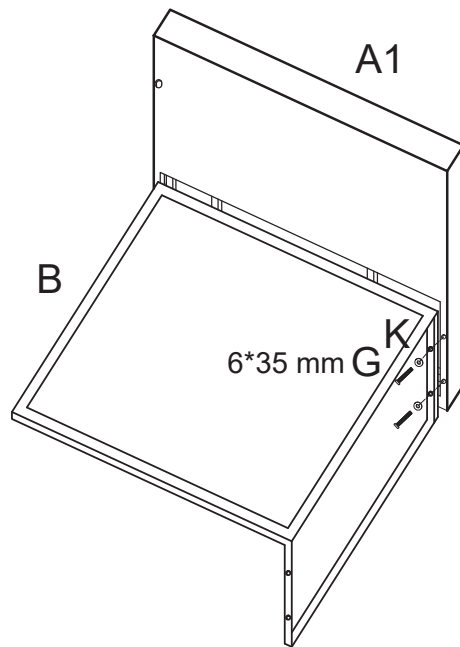
\* Don't fully tighten all the bolts till the very end!

## PRE-ASSEMBLY PREPARATION:

- Please read through the instructions before beginning assembly.
- Clear out the space for assembly and lay out all of the parts based on the Parts List, extra room will allow you to easily determine if all the pieces are present.
- Keep small parts and pieces away from children until fully assembled.

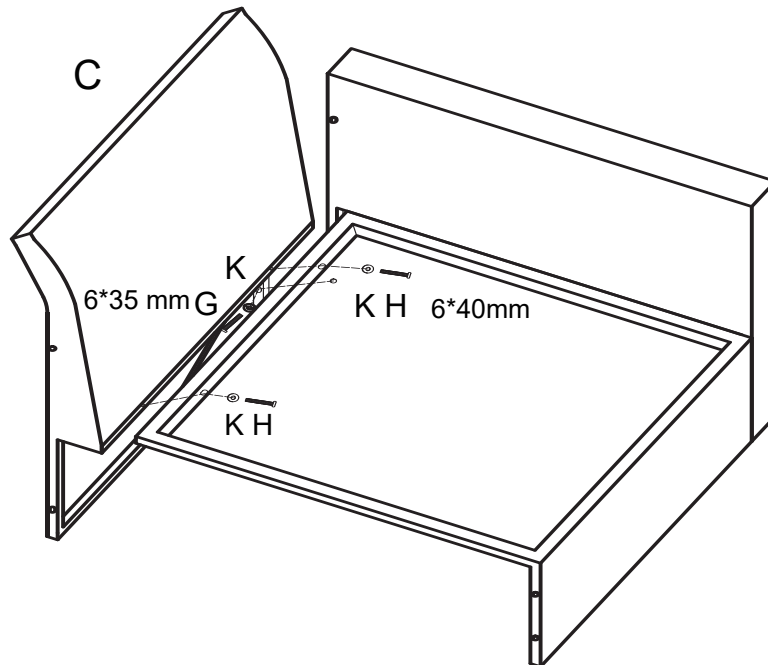
									
A1 Left Arm	1PCS	A2 Right Arm	1PCS	B Seat	1PCS	C Back	1PCS		
				M6*24mm 		M6*35mm 		M6*40mm 	
D Base	1PCS	E U-Shaped Fitting	1PCS	F	4PCS	G	6PCS	H	2PCS
M6*45mm 		M6*95mm 							
I	4PCS	J	2PCS	K Washer	18PCS	L Spring Washer	4PCS		
									
M Nut	4PCS	N Wrench	1PCS	O Spanner	1PCS	P Back Cushion	1PCS	Q Seat Cushion	1PCS

## STEP 1



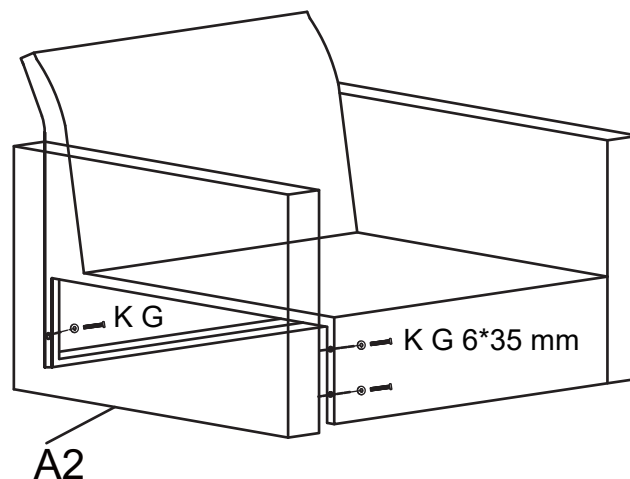
Connect left arm A1 and seat B with G and K. Don't tighten bolts!

## STEP 2



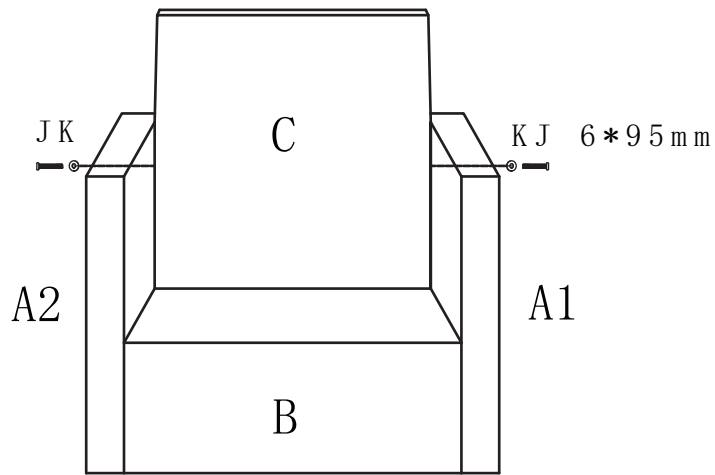
Connect chair back, seat and left arm with G, H and K. Don't tighten bolts!

## STEP 3



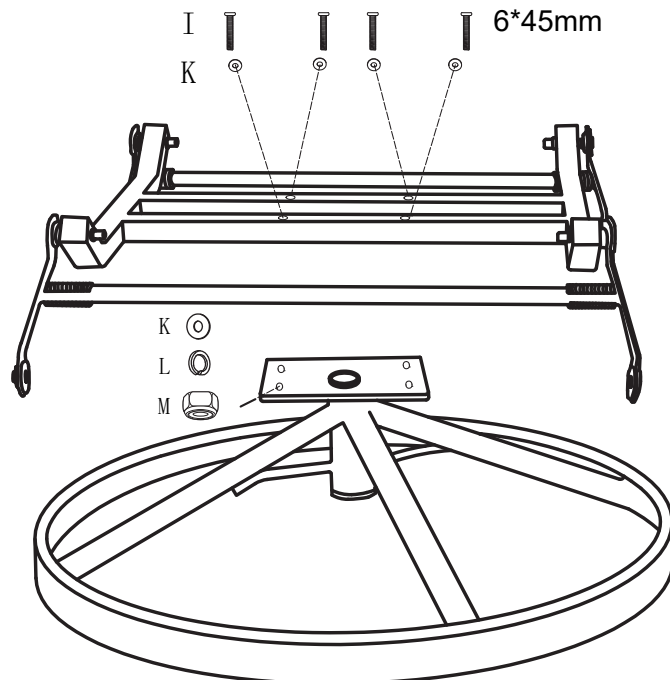
Connect chair back, seat and right arm with G and K. Don't tighten bolts!

## STEP 4



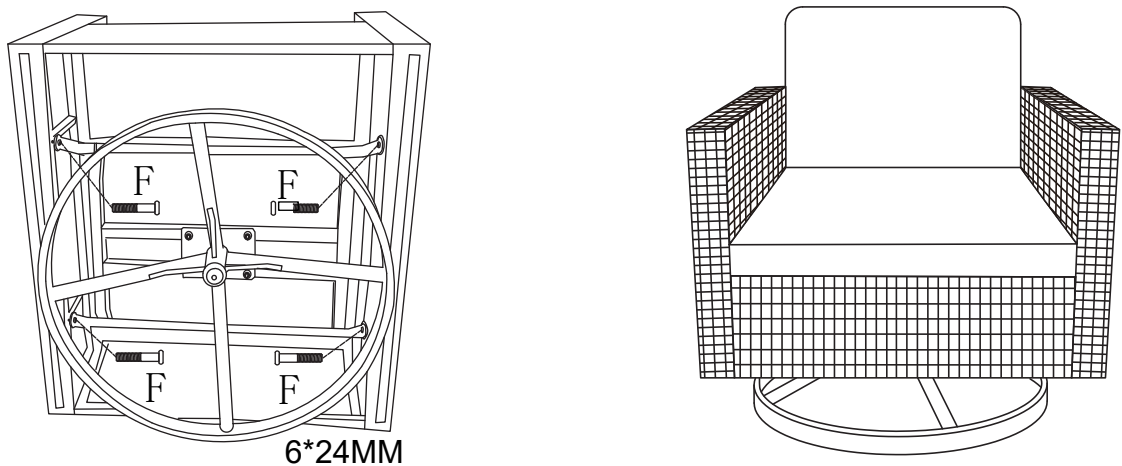
Connect left ,right arms and back with J and K. Don't tighten bolts!

## STEP 5



Connect U shaped fitting and base with I, K,L and M. Please tighten these bolts!

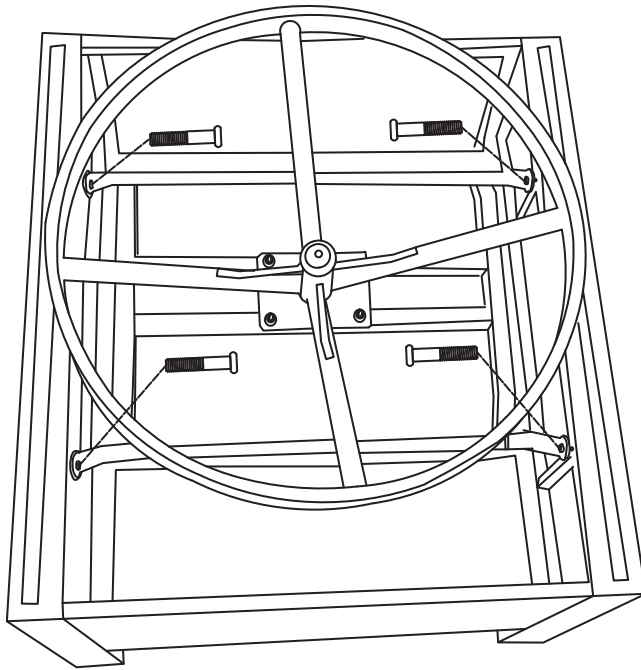
## STEP 6



Connect U shaped fitting, left and right arms with F. Tighten all the bolts!

Put seat and back cushions on the chair.

# NOTICE



1. Buckle the chair upside down on the floor.

2. Put the base in the chair.

3. Connect the base, left and right arms with Bolts.

4. Finally tighten all the bolts!

