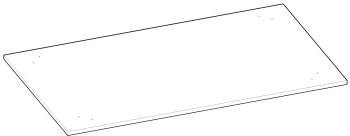

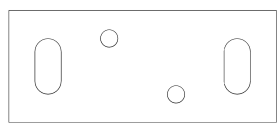
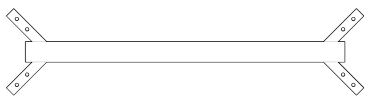
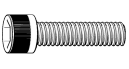

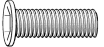

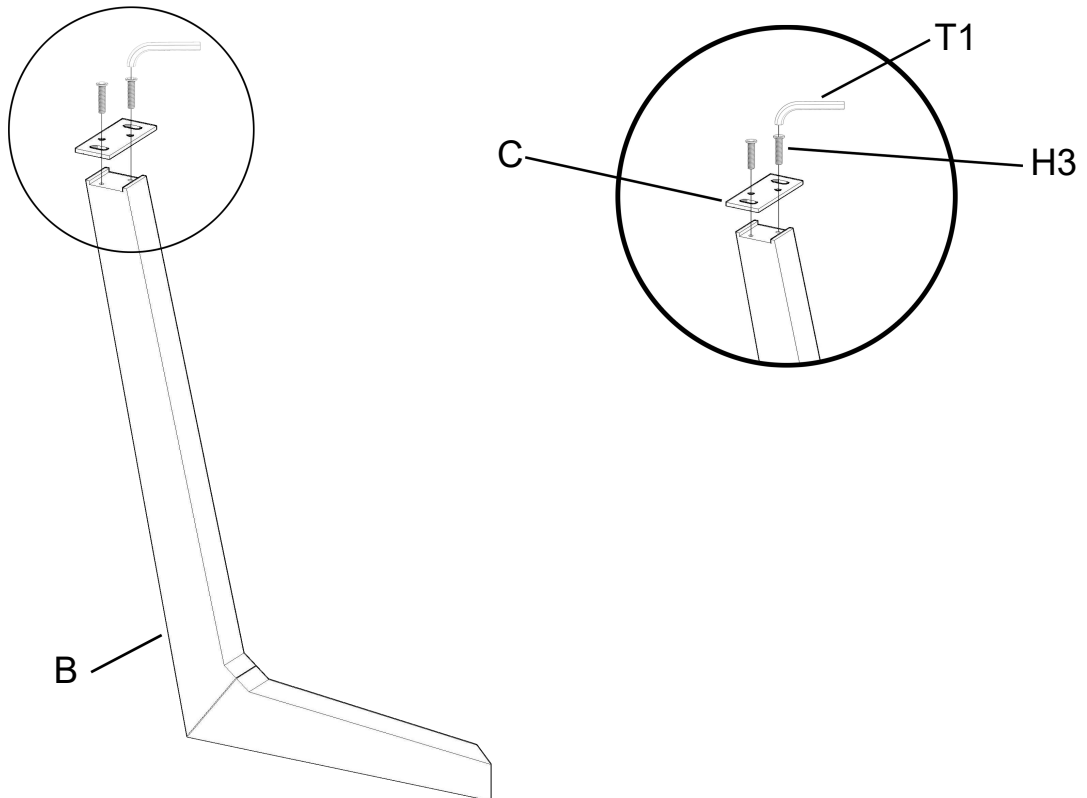


AX1 		BX4 		CX4 	
				DX1 	
H1X8 	H2X16 	H3X16 	T1 	Extra Hardware H1-2 pcs H2-2 pcs H3-2 pcs	

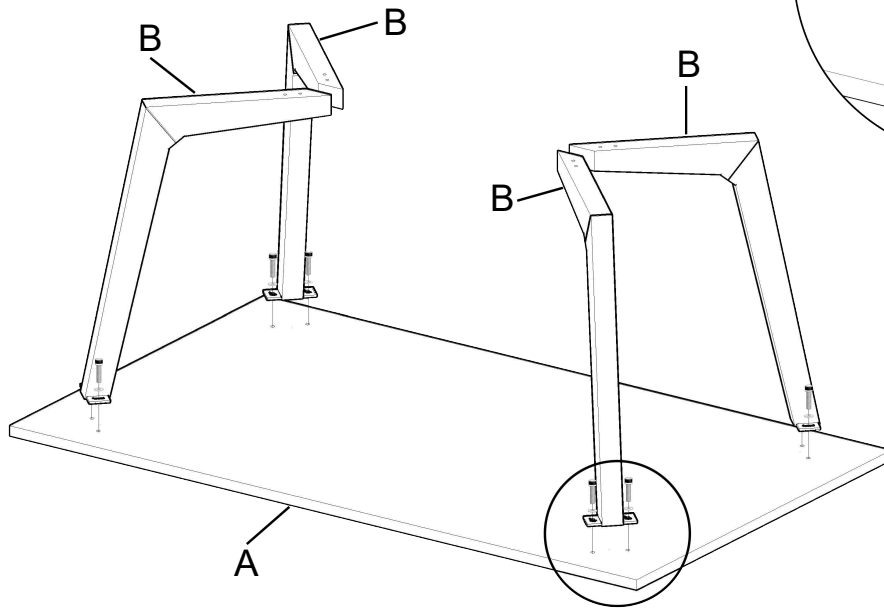
- Note: 1. Please do not tight any bolt unless all bolts are fixed at their respective places.
 2. After fixing the bolts tighten them simultaneously.
 3. Matching Parts Bolt (example AtoA)
 4. Two person assembly required.

1

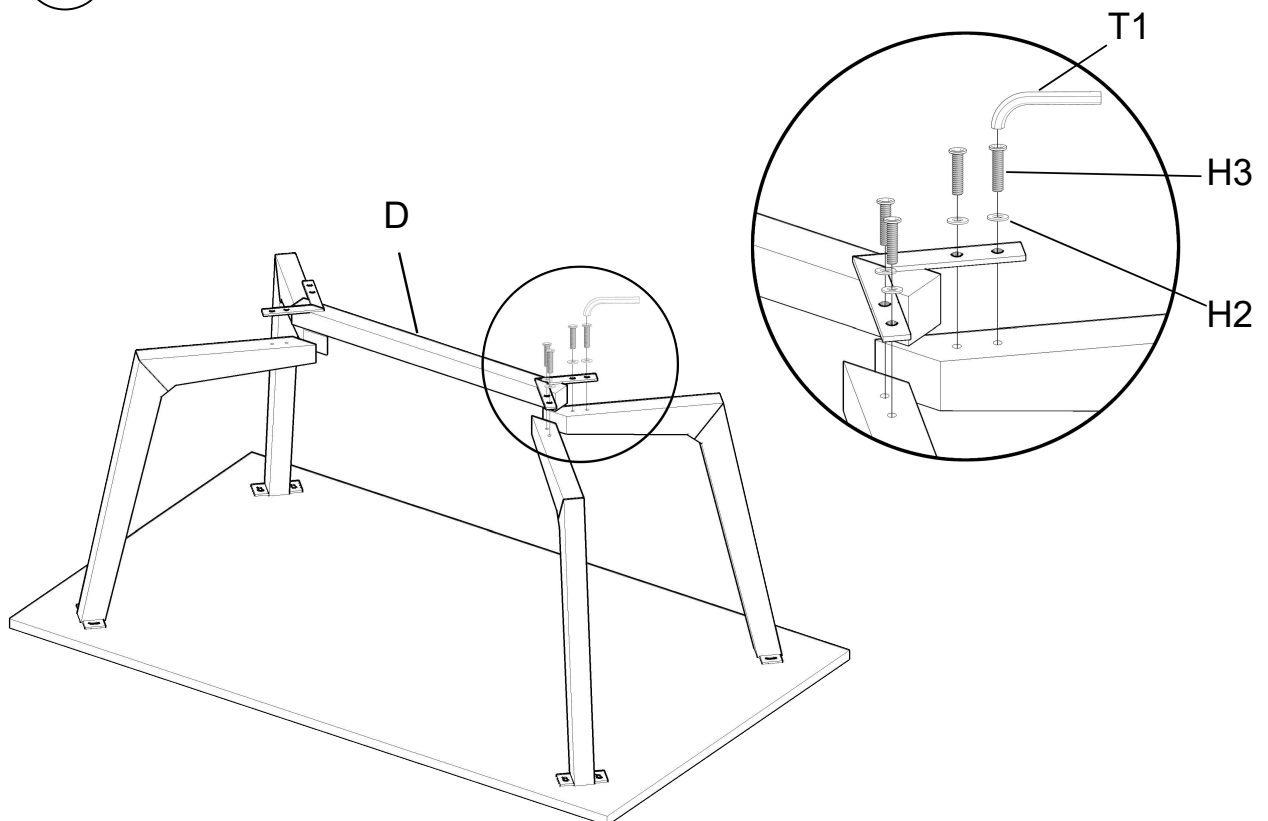


ASSEMBLY INSTRUCTIONS

2



2



ASSEMBLY INSTRUCTIONS

