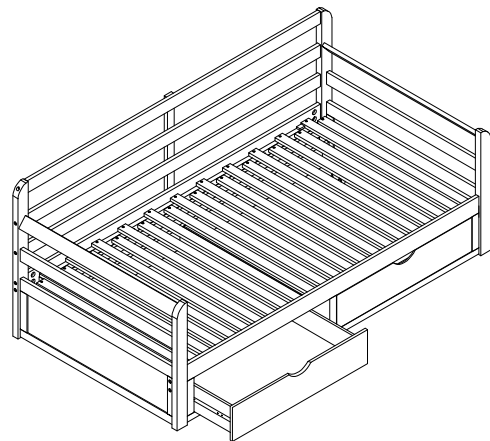
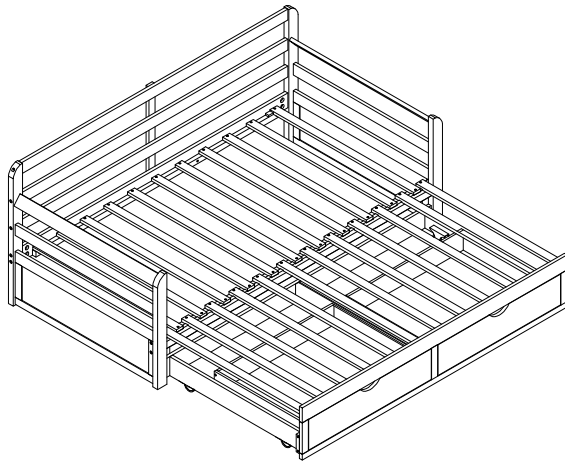


# ASSEMBLY INSTRUCTIONS



*Fine Furniture for every stage of life*

# ASSEMBLY INSTRUCTIONS

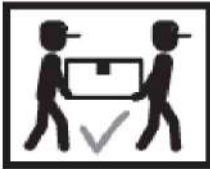
## ASSEMBLY TIPS:

1. Remove hardware from box and sort by size.
2. Please check to see that all hardware and parts are present prior to start of assembly.
3. Please follow attached instructions in the same sequence as numbered to assure fast & easy assembly.



### WARNING!

1. Don't attempt to repair or modify parts that are broken or defective. Please contact the store immediately.
2. This product is for home use only and not intended for commercial establishments.

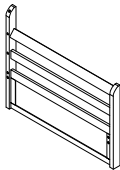
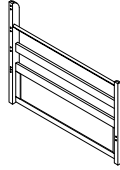




**ASSEMBLY TIME**








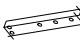
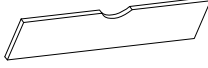
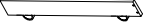






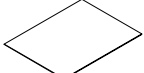
**30 MINUTES**

## PARTS IDENTIFICATION

### B1 ( BOX 1 )

A	LEFT SIDE FRAME		1PC	C	RIGHT SIDE FRAME		1PC
B	GREY BED SLAT		2PCS	D	BED SLAT		21PCS

### B2 ( BOX 2 )

E	BACK RAIL		1PC	N	TRUNDLE FRONT PANEL		1PC
F	FRONT RAIL		1PC	O	TRUNDLE LOWER BACK PANEL		1PC
G	GUARDRAIL		3PCS	P	TRUNDLE UPPER BACK PANEL		1PC
H	GUARDRAIL SUPPORT		1PC	Q	TRUNDLE BACK RAIL SUPPORT		2PCS
I	DRAWER FRONT PANEL		2PCS	R	TRUNDLE LEFT SIDE PANEL WITH CASTER		1PC
J	DRAWER BACK PANEL		2PCS	S	TRUNDLE RIGHT SIDE PANEL WITH CASTER		1PC
K	DRAWER LEFT PANEL		2PCS	T	TRUNDLE MIDDLE PANEL (WITH "T" LABEL)		1PC
L	DRAWER RIGHT PANEL		2PCS	U	TRUNDLE MIDDLE PANEL (WITH "U" LABEL)		1PC
M	DRAWER BOTTOM PANEL		2PCS				

### NOTE:

Phillips head screw driver is required in the assembly process; however, manufacturer does not provide this item.

# ASSEMBLY INSTRUCTIONS

## ASSEMBLY TIPS:

1. Remove hardware from box and sort by size.
2. Please check to see that all hardware and parts are present prior to start of assembly.
3. Please follow attached instructions in the same sequence as numbered to assure fast & easy assembly.



## WARNING!

1. Don't attempt to repair or modify parts that are broken or defective. Please contact the store immediately.
2. This product is for home use only and not intended for commercial establishments.

## HARDWARE IDENTIFICATION

### Z-B2 (BOX2) - HARDWARE PACK IS LOCATED IN (B2)

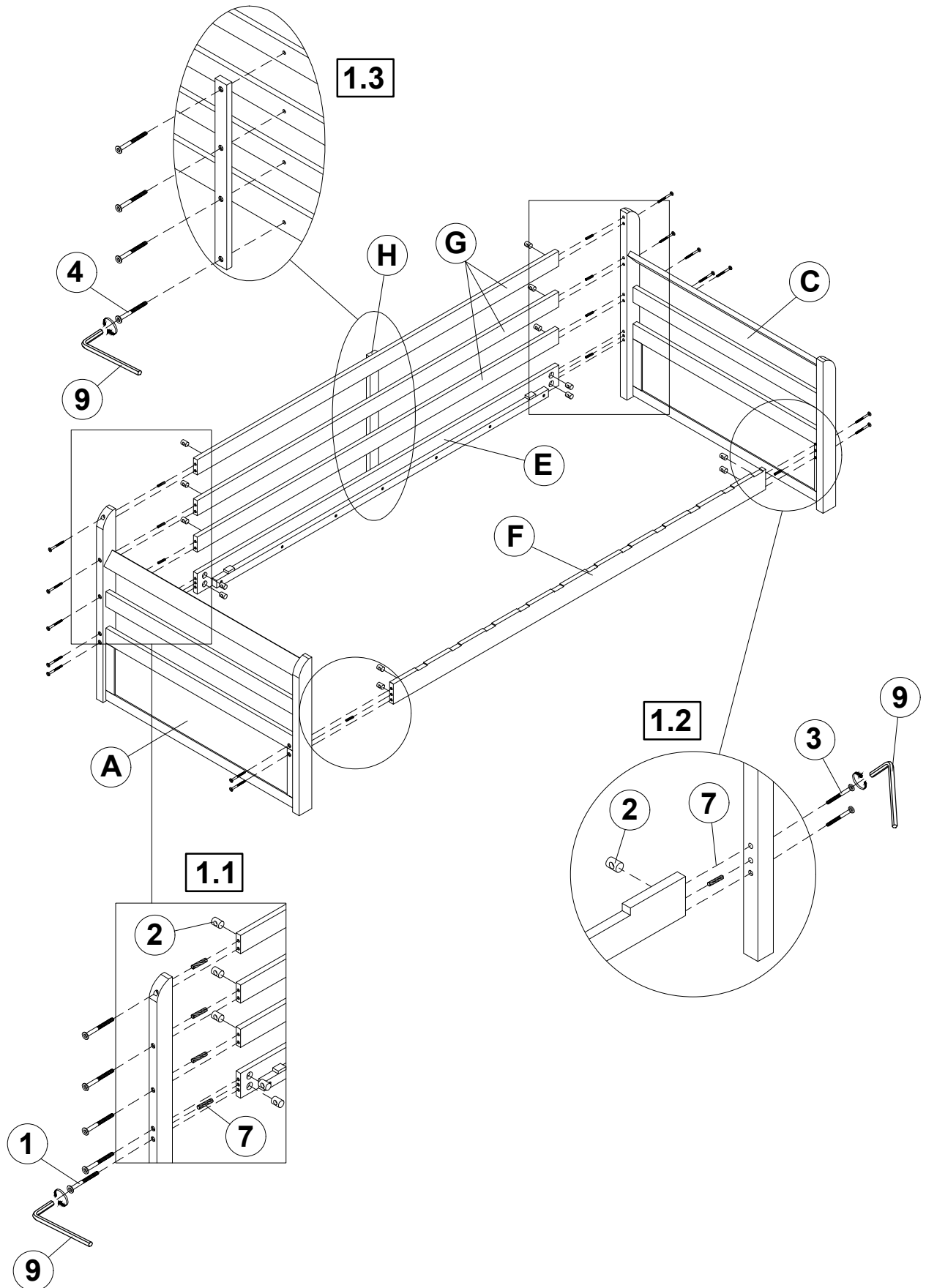
1	<b>BOLT 4</b> (1/4 x 110mm $\Phi$ 14 - BLK)		10PCS	6	<b>BOLT 3</b> (1/4 x 80mm $\Phi$ 14 - BLK)		4PCS
2	<b>BARREL NUT</b> (1/4 x 12mm - BLK)		18PCS	7	<b>SHORT WOOD DOWEL</b> (10 x 40mm)		18PCS
3	<b>BOLT 2</b> (1/4 x 60mm $\Phi$ 14 - BLK)		4PCS	8	<b>LONG WOOD DOWEL</b> (10 x 50mm)		2PCS
4	<b>BOLT 1</b> (1/4 x 30mm $\Phi$ 14 - BLK)		14PCS	9	<b>ALLEN WRENCH</b> (4 x 58MM - BLK)		1PC
5	<b>FLAT HEAD SCREW</b> (4 x 35mm - BLK)		64PCS				

## NOTE:

Phillips head screw driver is required in the assembly process; however, manufacturer does not provide this item.

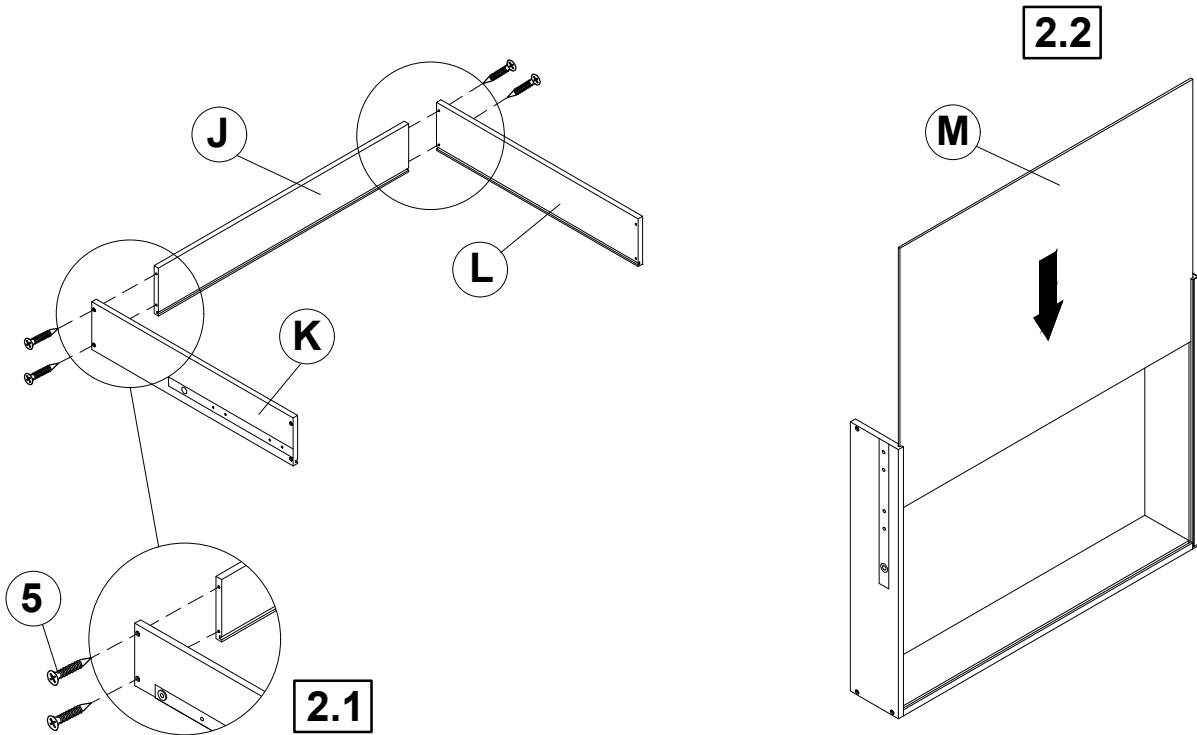
# ASSEMBLY INSTRUCTIONS

## STEP 1

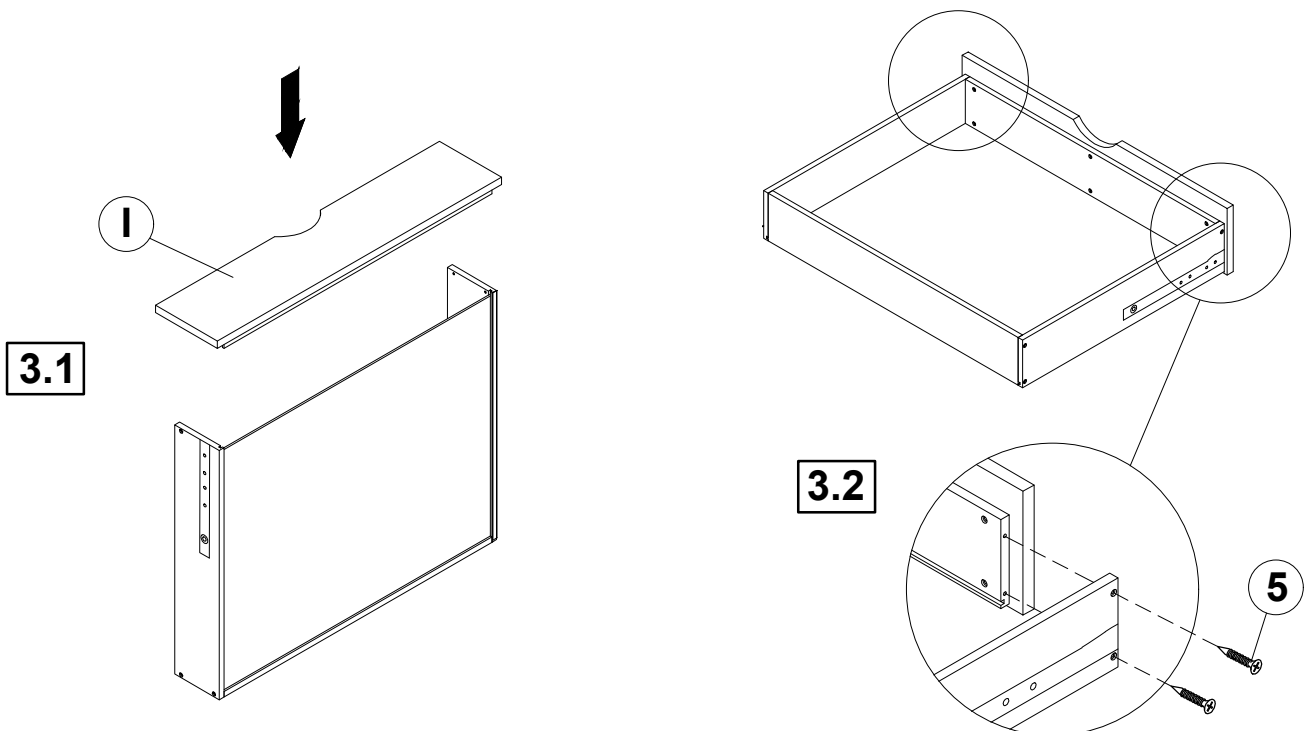


# ASSEMBLY INSTRUCTIONS

## STEP 2

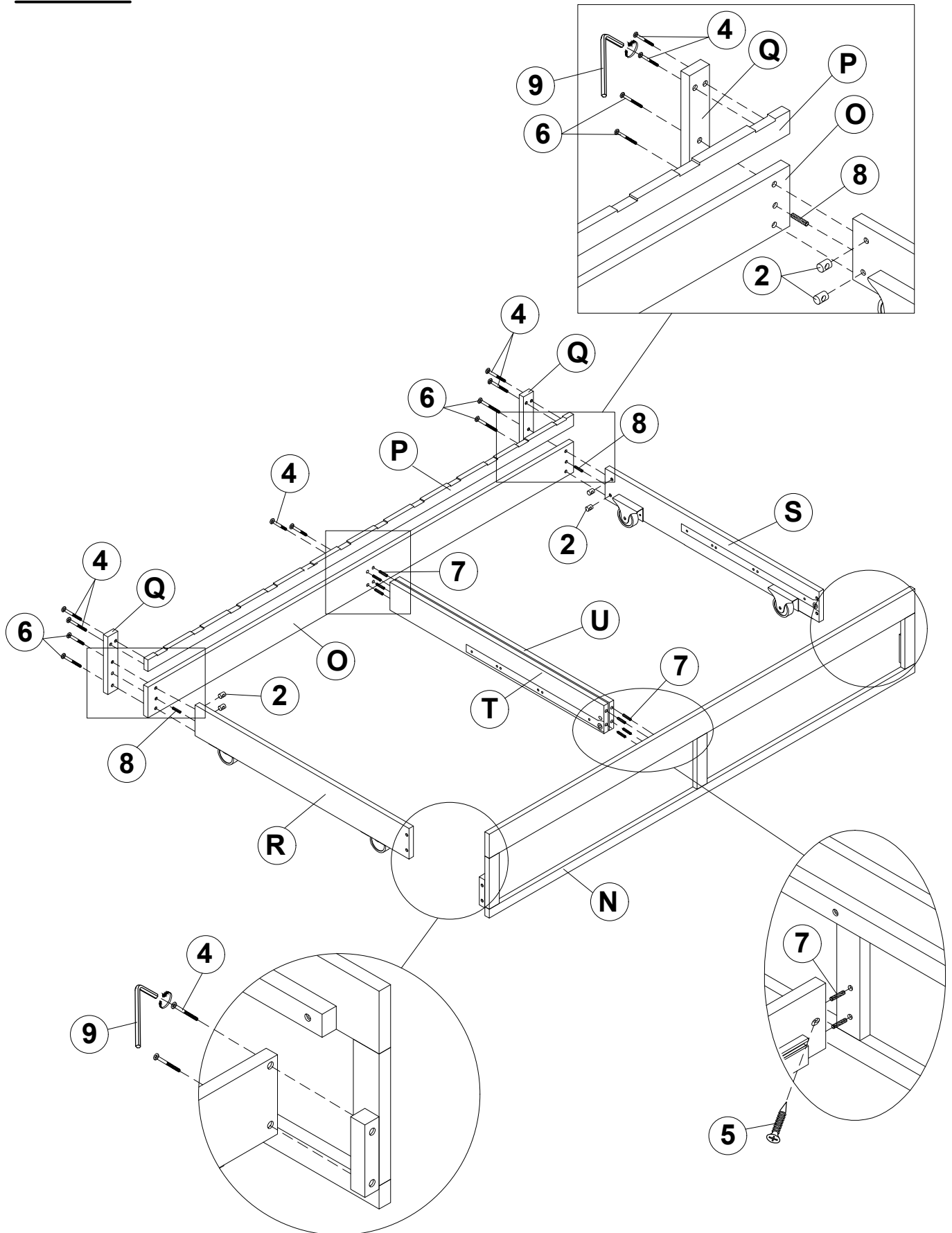


## STEP 3



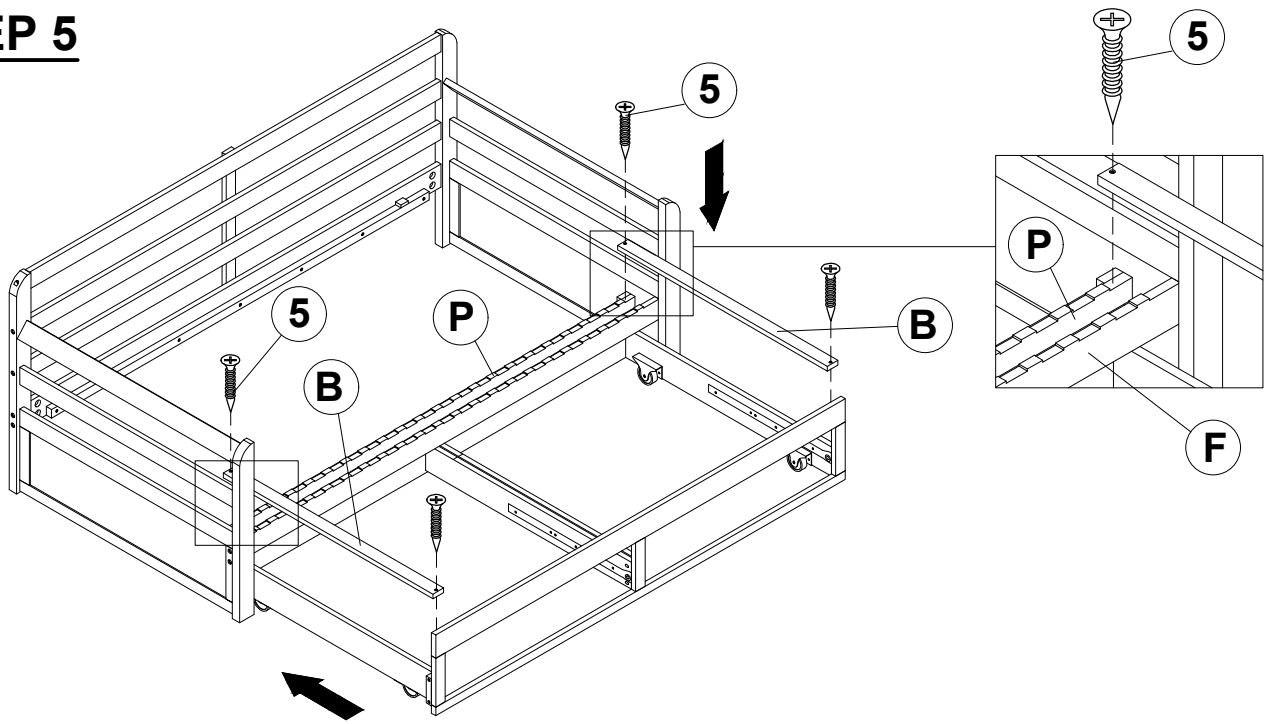
# ASSEMBLY INSTRUCTIONS

## STEP 4

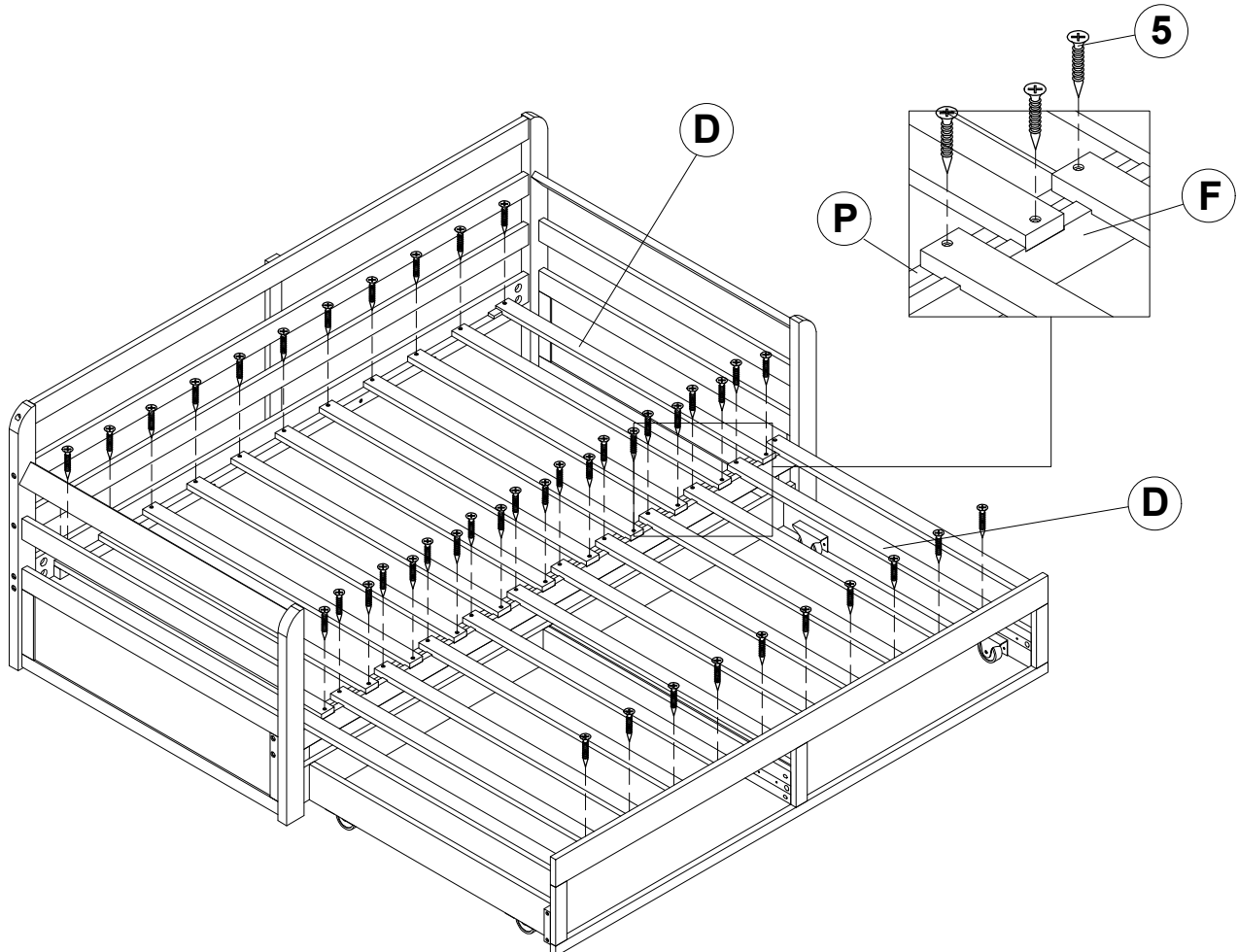


# ASSEMBLY INSTRUCTIONS

## STEP 5

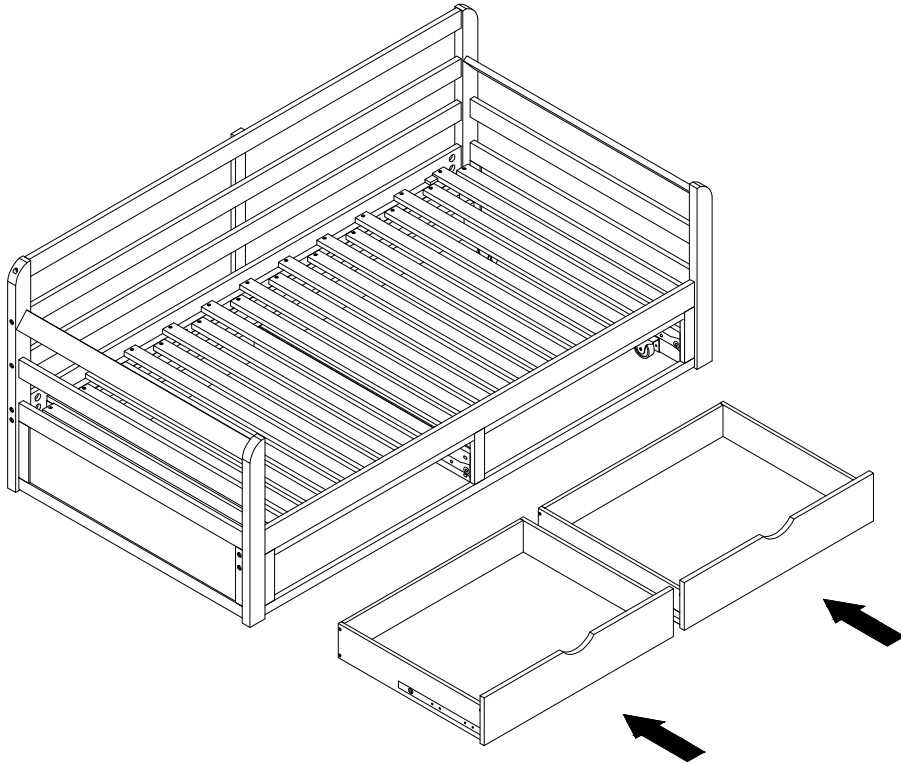


## STEP 6



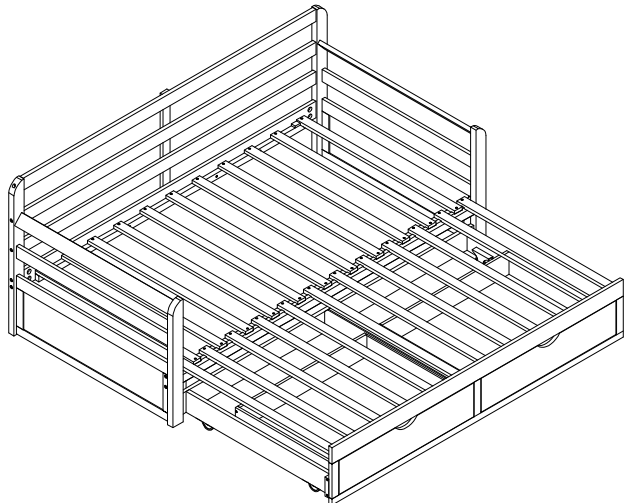
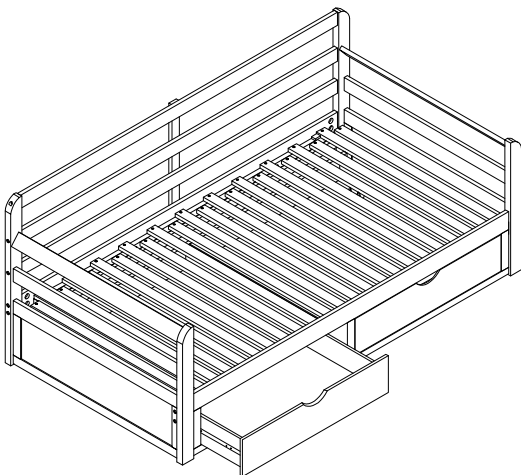
# ASSEMBLY INSTRUCTIONS

## STEP 7



## STEP 8

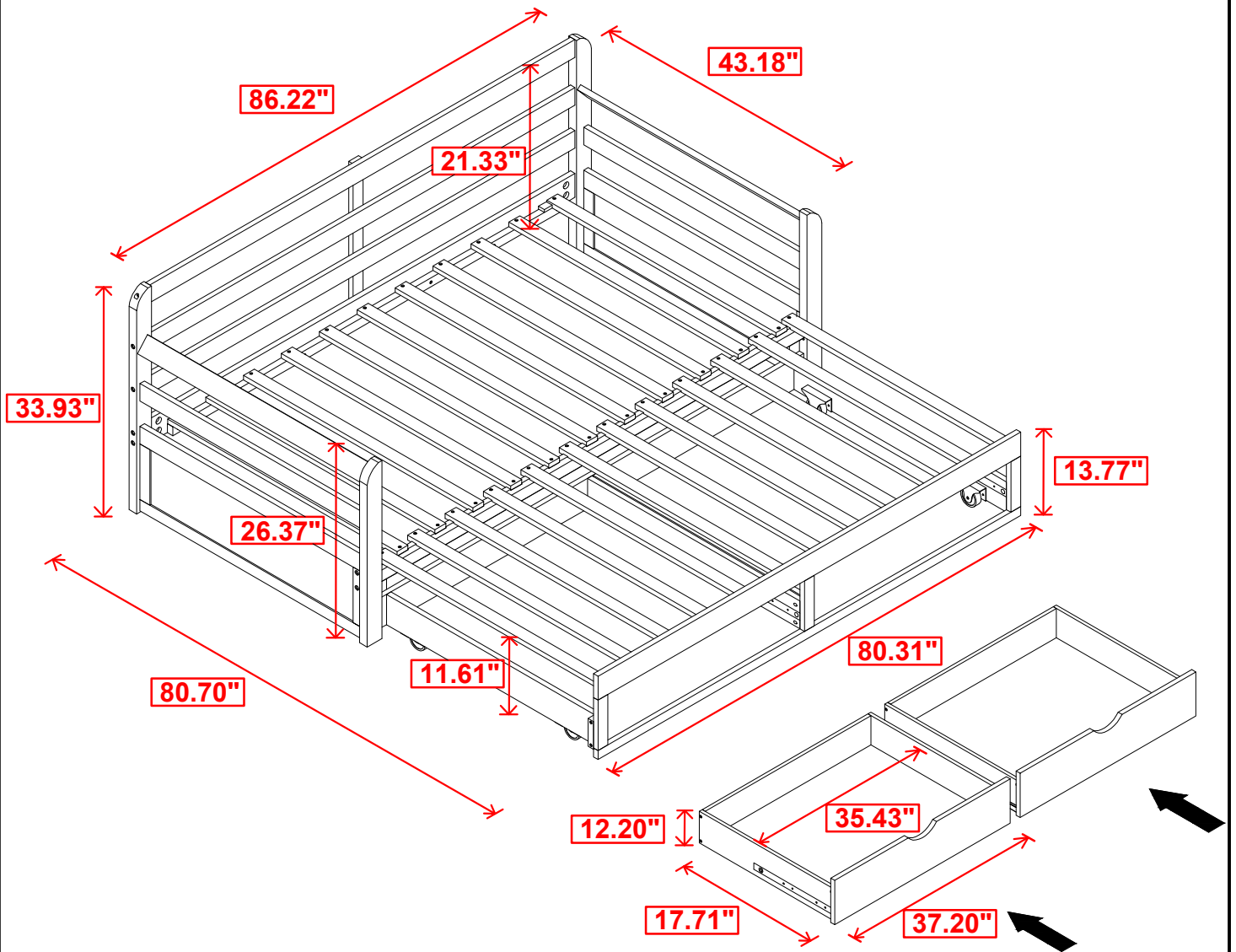
## COMPLETE



INNER SIZE OF TWINXL DAYBED : 80.70" X 41.33"

INNER SIZE OF KING DAYBED : 80.70" X 78.93"

INNER SIZE OF DRAWER : 35.43" X 15.74"



**Note:** Dimension tolerance  $\pm 5\%$