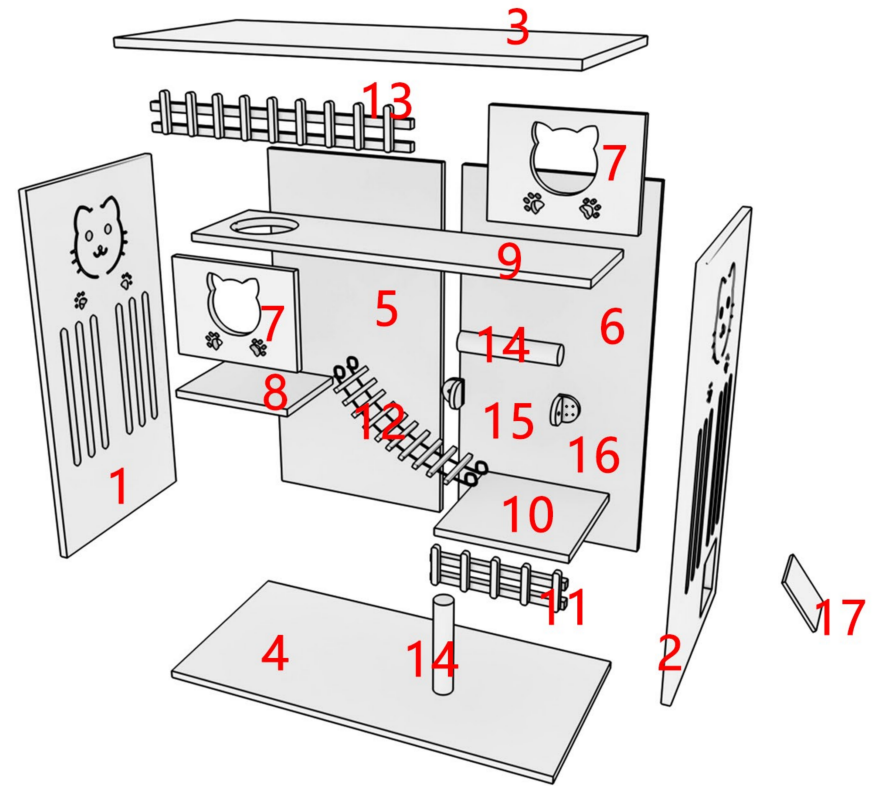
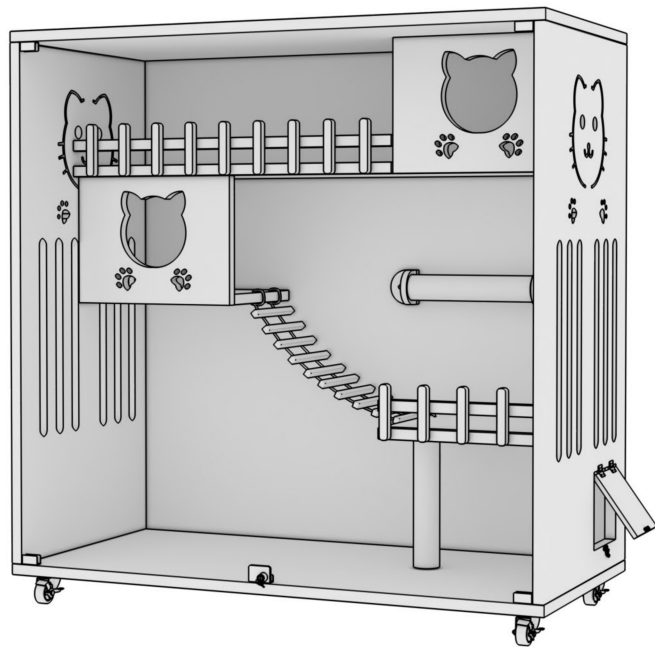
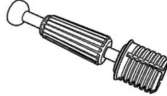

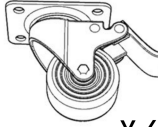
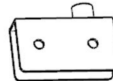
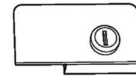

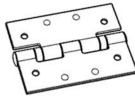
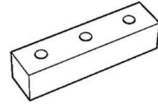





# Wooden Cat House

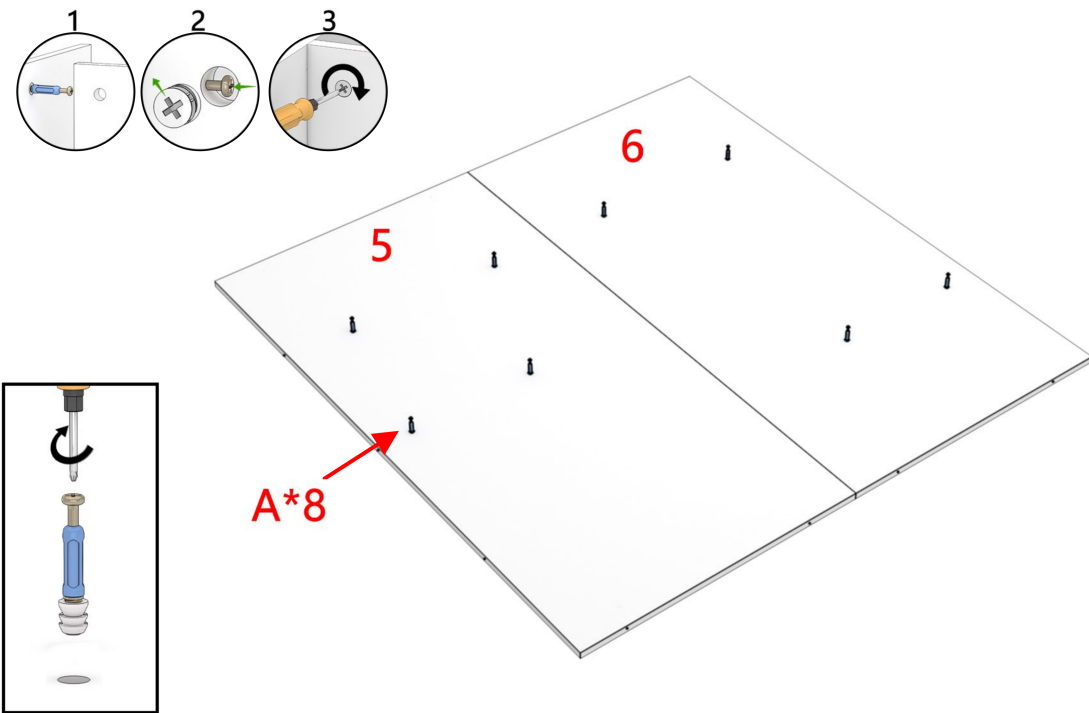
## Installation instructions

Each package comes with extra screw fittings in case they are lost

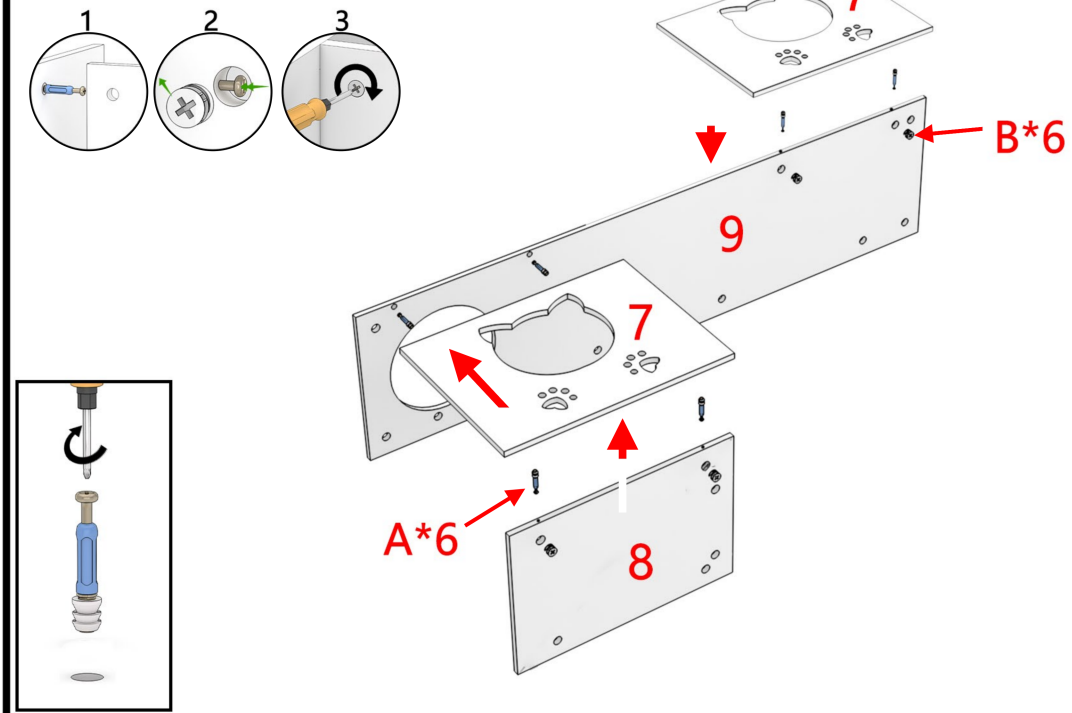


<p>A</p>  <p>X58</p>	<p>B</p>  <p>X58</p>	<p>C</p>  <p>X6</p>	<p>D</p>  <p>X4</p>	<p>E</p>  <p>X1</p>
<p>F</p>  <p>X1</p>	<p>G</p>  <p>X2</p>	<p>H</p>  <p>X2</p>	<p>J</p>  <p>X20</p> <p>K</p>  <p>X20</p>	<p>L</p>  <p>X1</p>

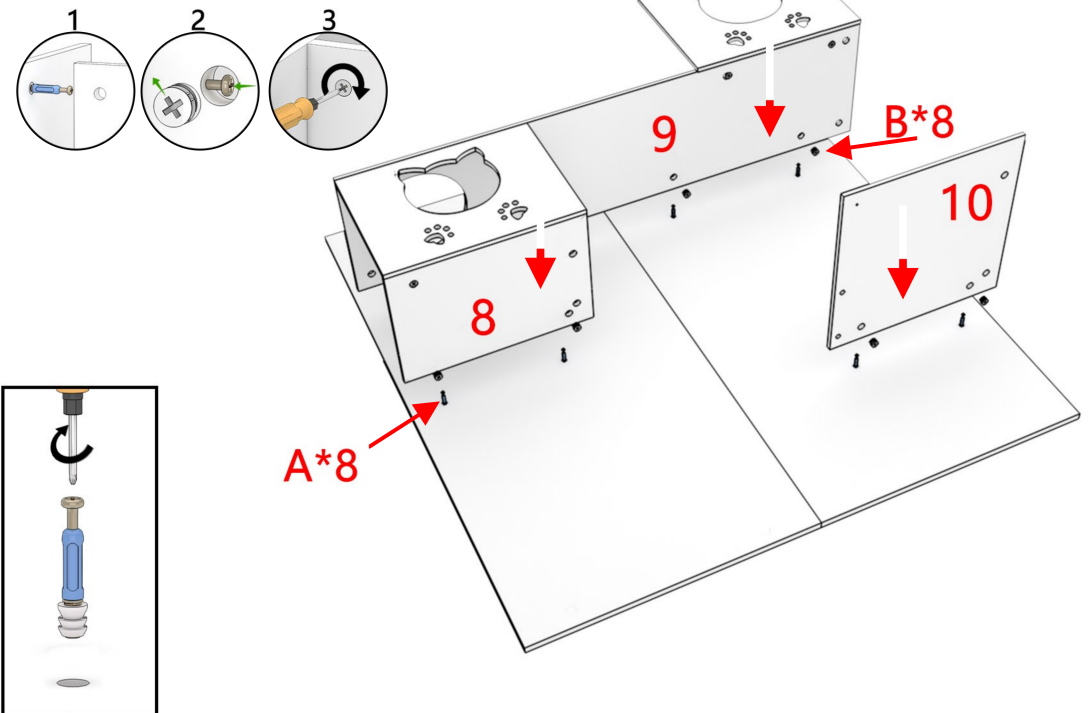
### STEP 1



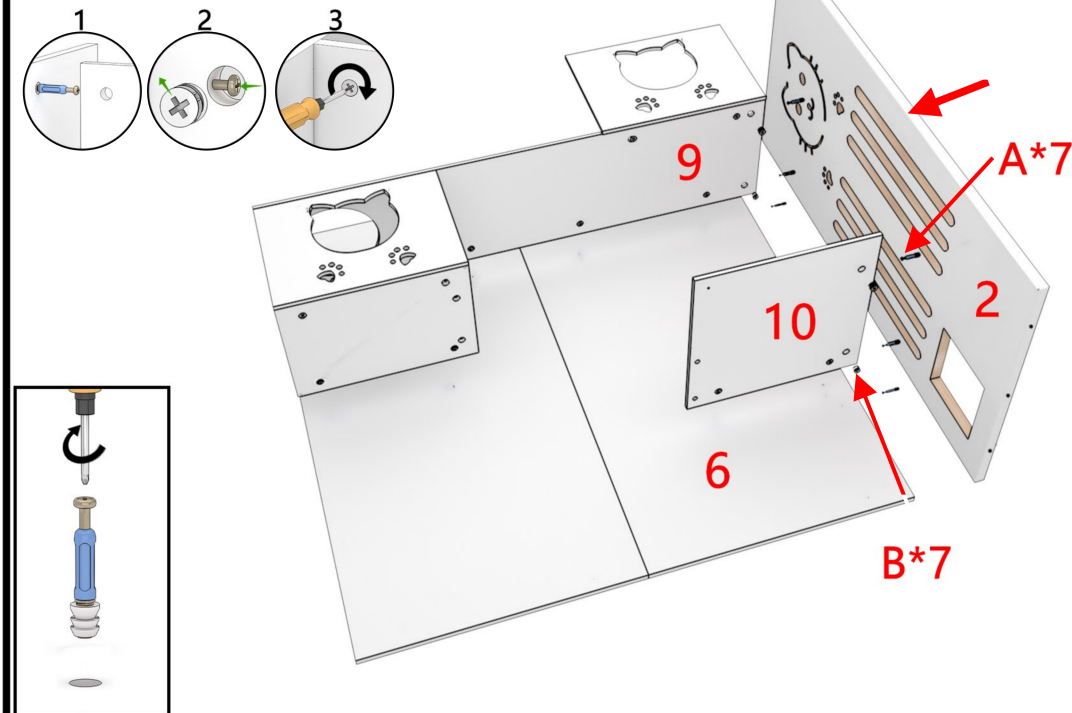
### STEP 2



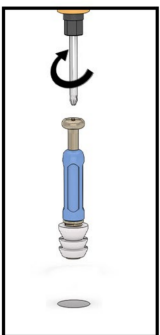
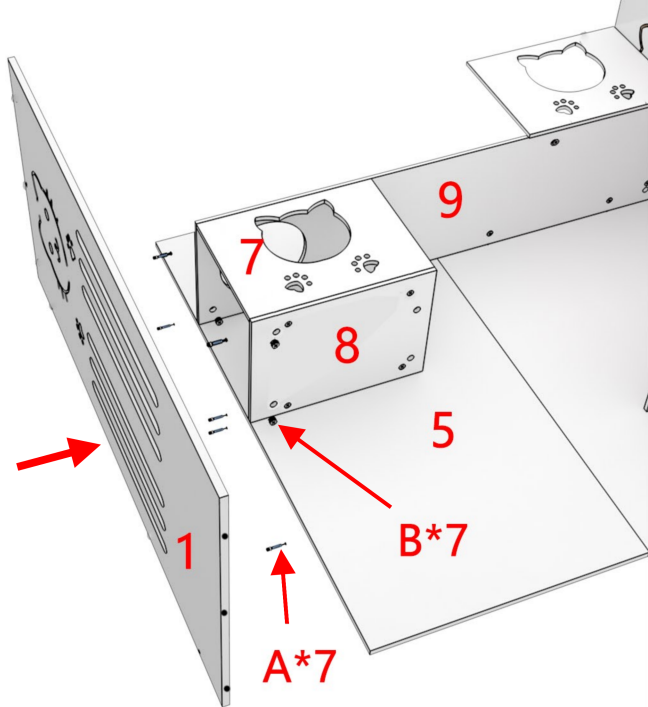
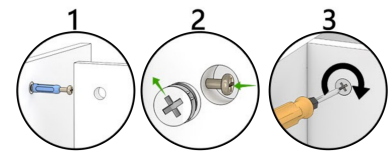
### STEP 3



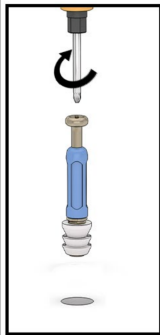
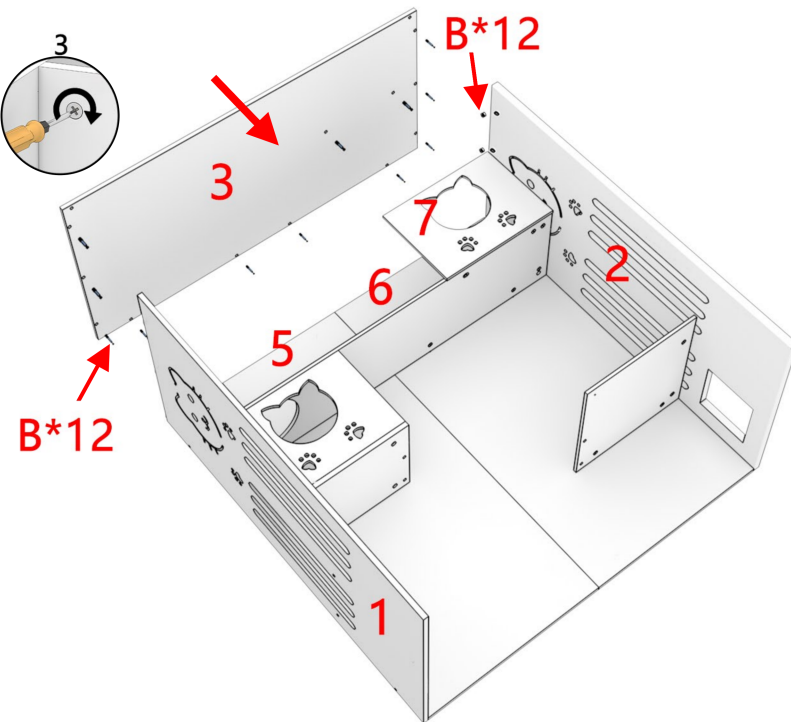
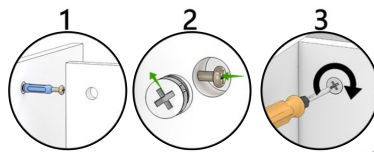
### STEP 4



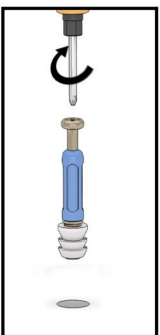
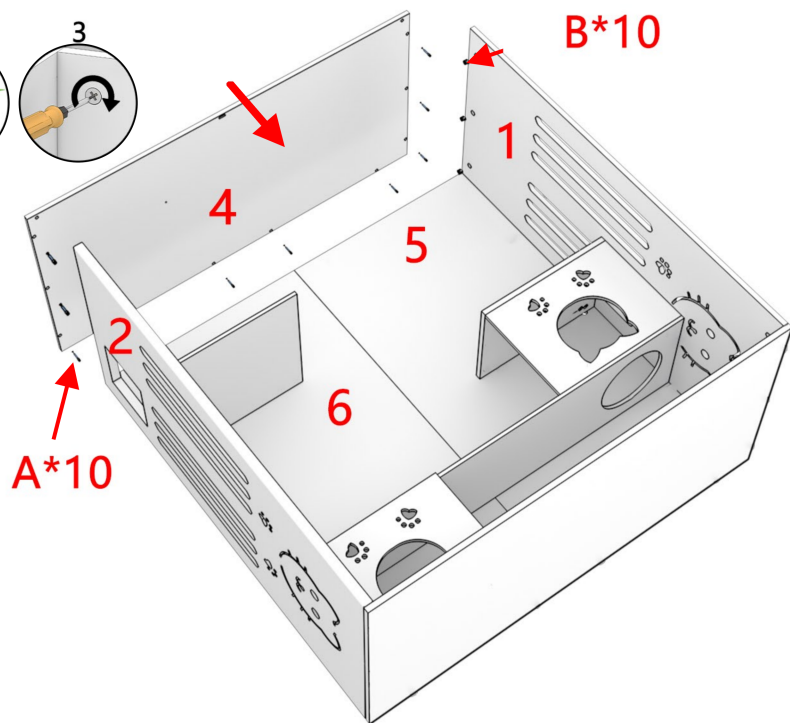
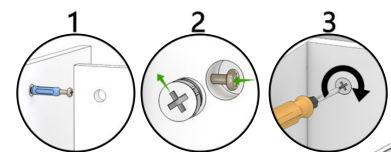
### STEP 5



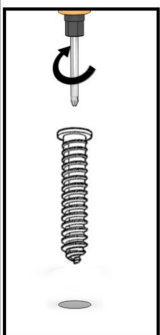
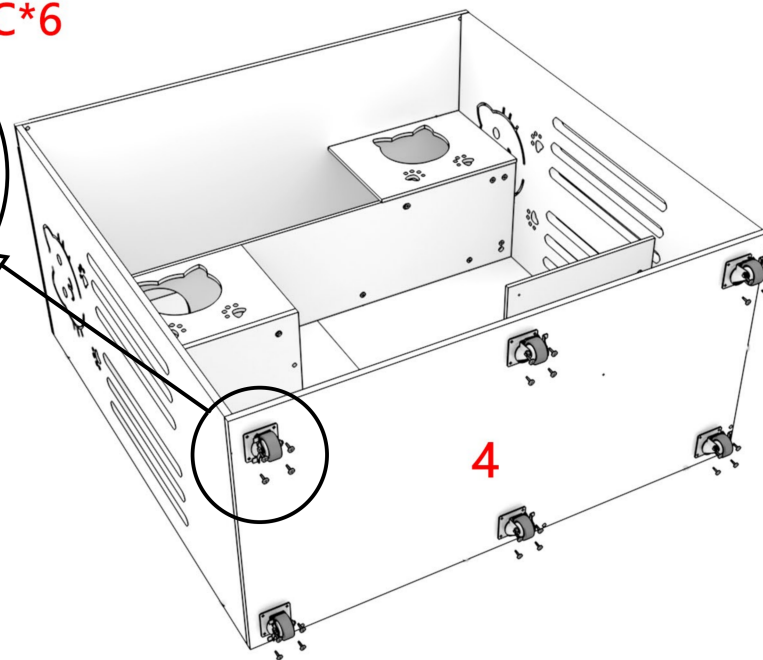
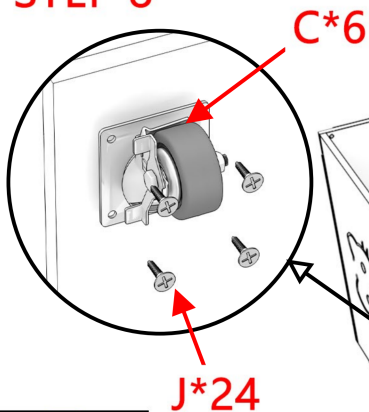
### STEP 6



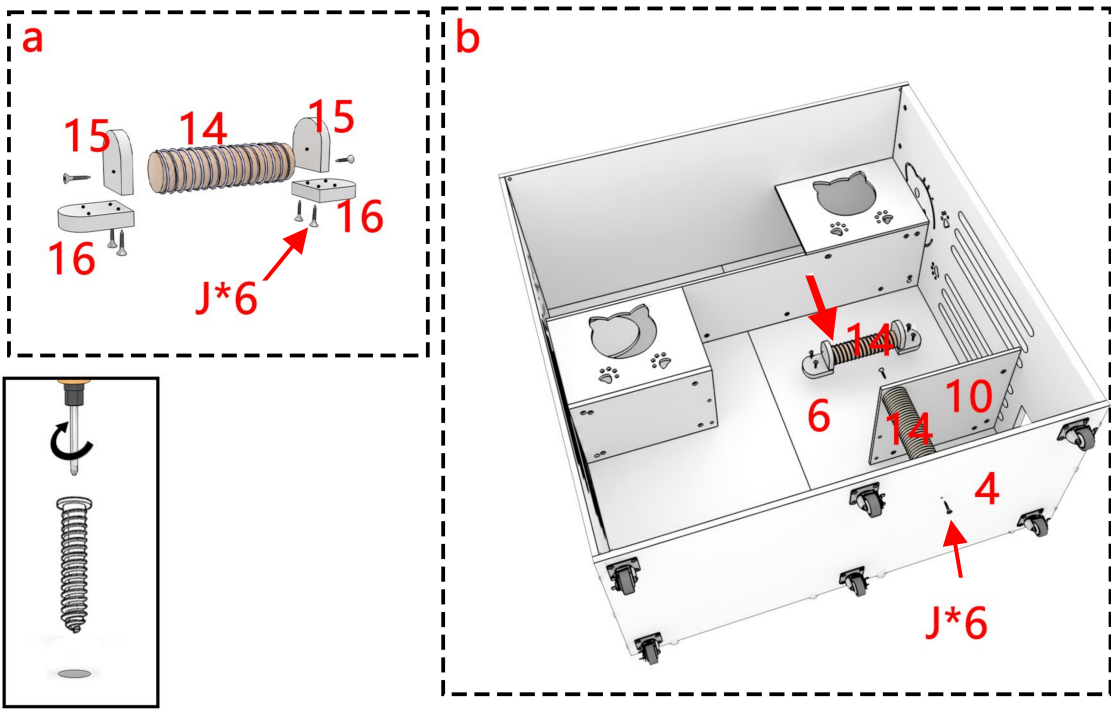
### STEP 7



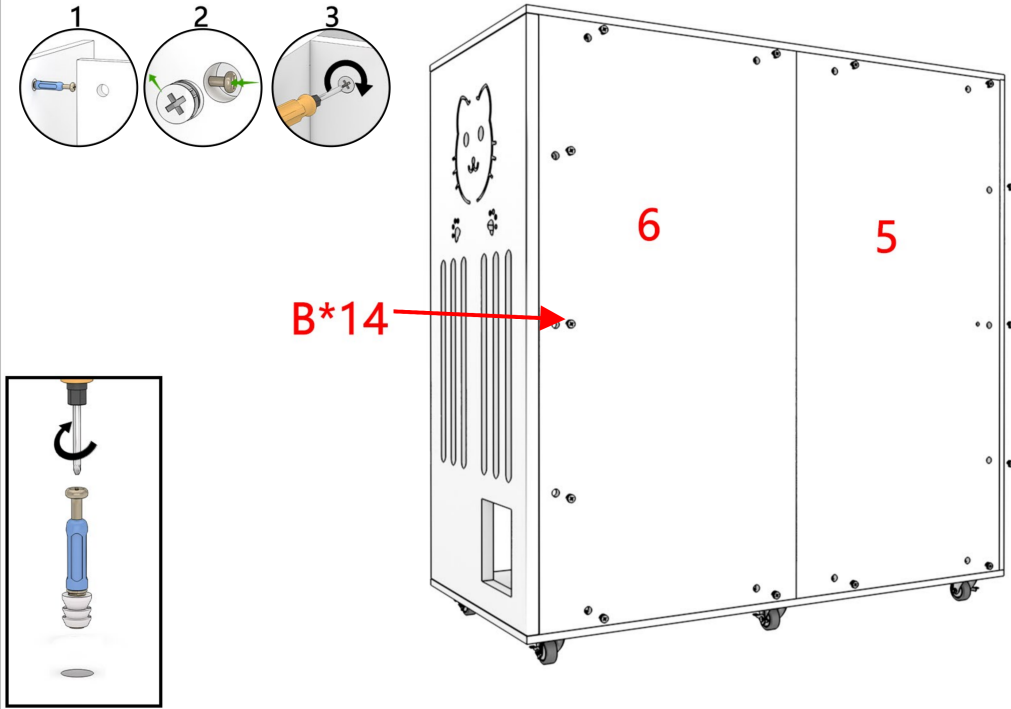
### STEP 8



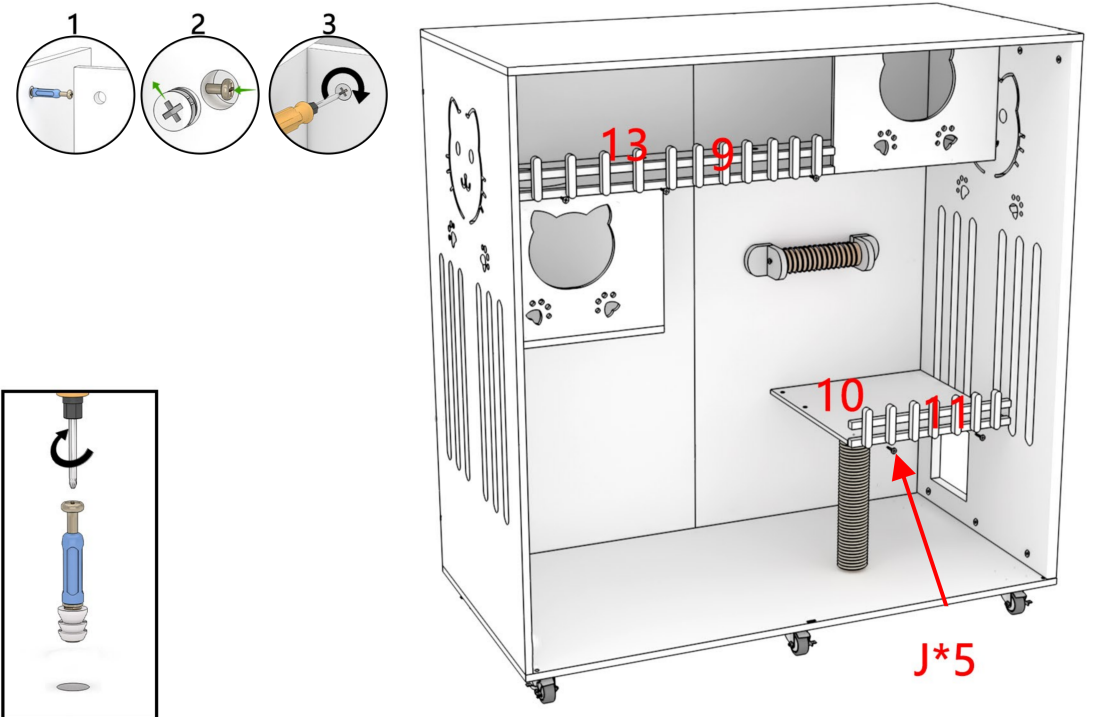
# STEP 9



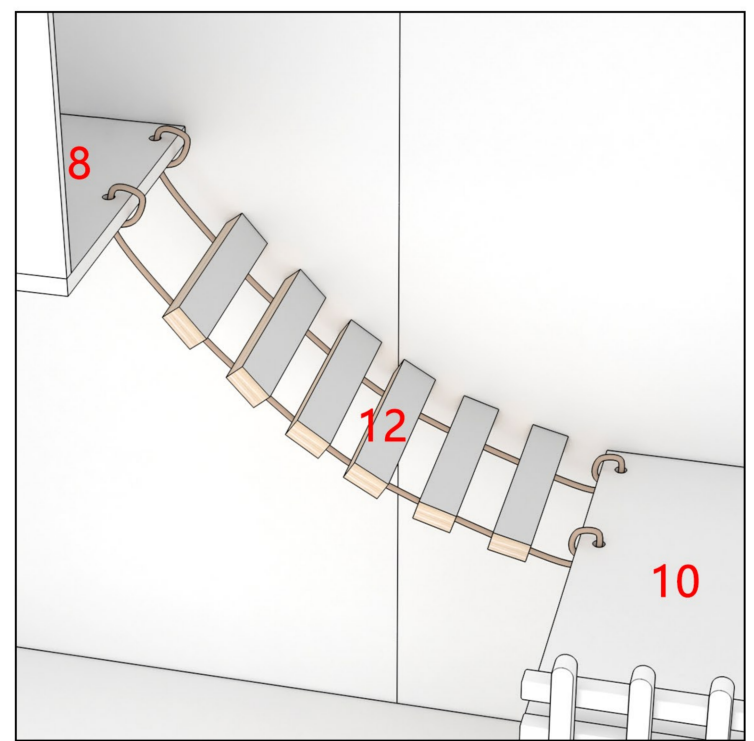
# STEP 10



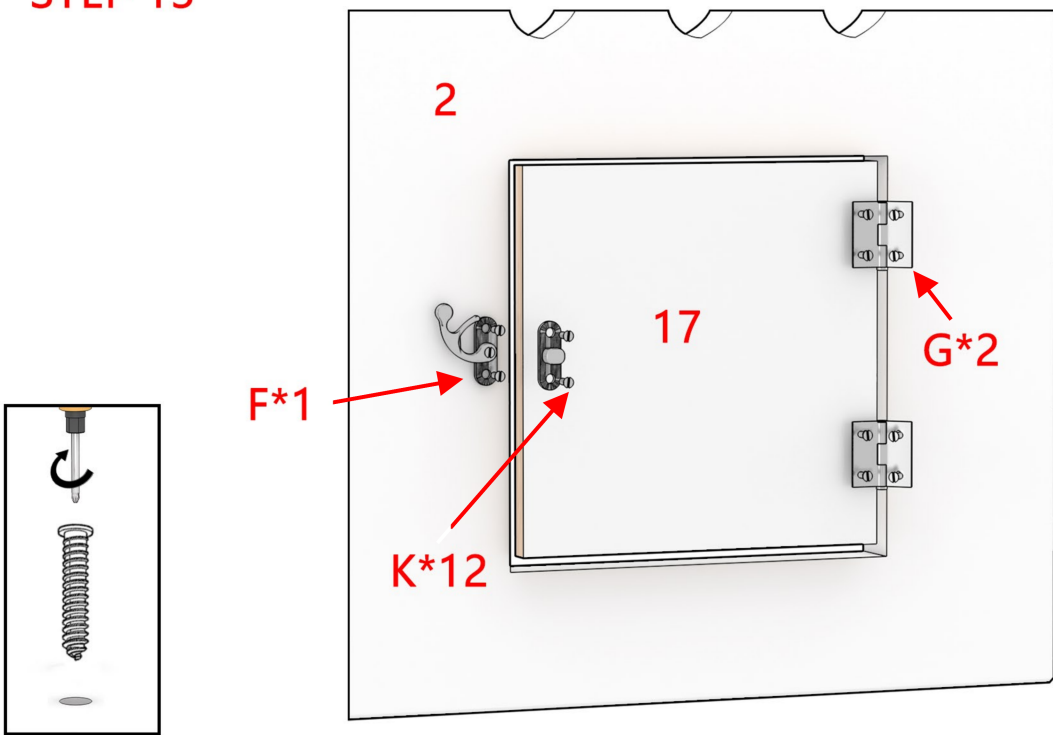
# STEP 11



# STEP 12

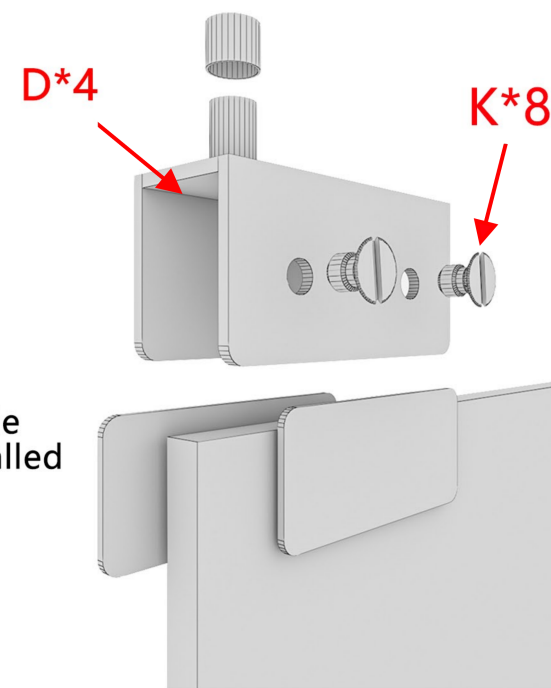


## STEP 13



## STEP 14

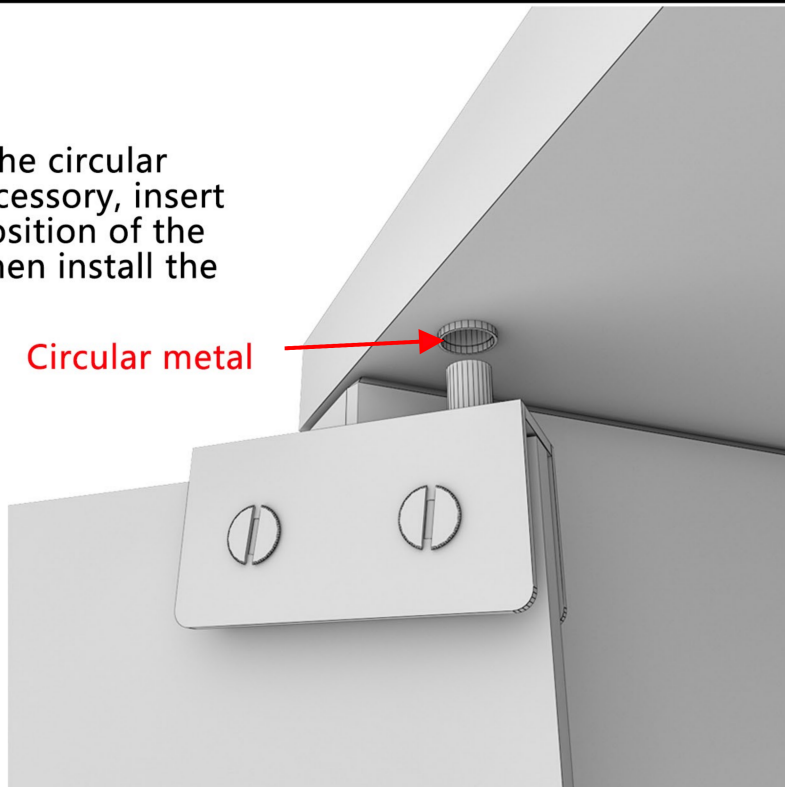
D accessories need to be installed on both the top and bottom positions of the glass



The two plastic sheets inside the accessory must be installed on both sides of the glass,

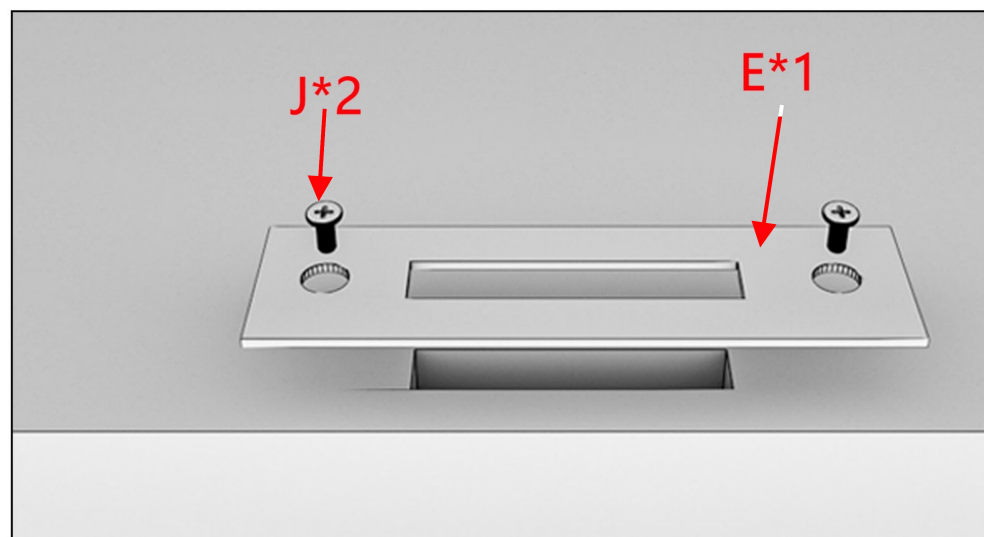
## STEP 15

Pay attention to the circular metal of the D accessory, insert it into the hole position of the board first, and then install the glass



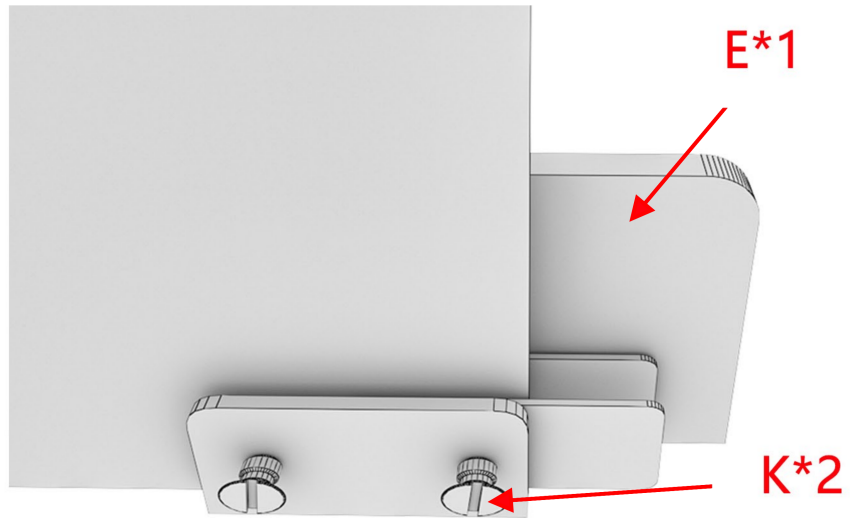
## STEP 16

E accessory elongated metal sheet, fixed in the middle hole position of plate 4 with K accessory



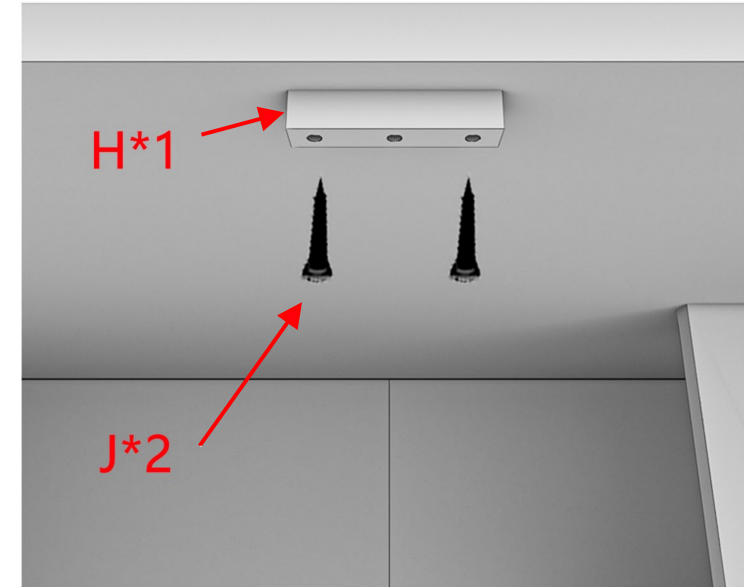
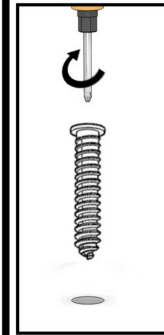
## STEP 17

The E accessory must be installed below the right glass door, and two plastic sheets must be distributed on both sides of the glass



## STEP 18

The H accessory is installed in the middle of the glass door



## Attention:

If the glass is damaged, you can contact us for replacement. If any accessories are damaged or have problems, you can contact us.

