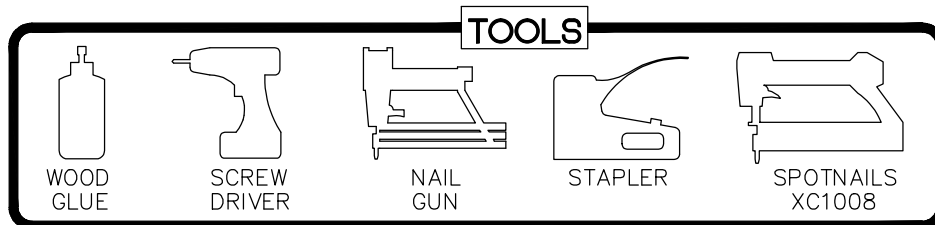
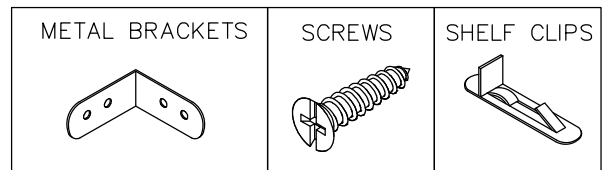
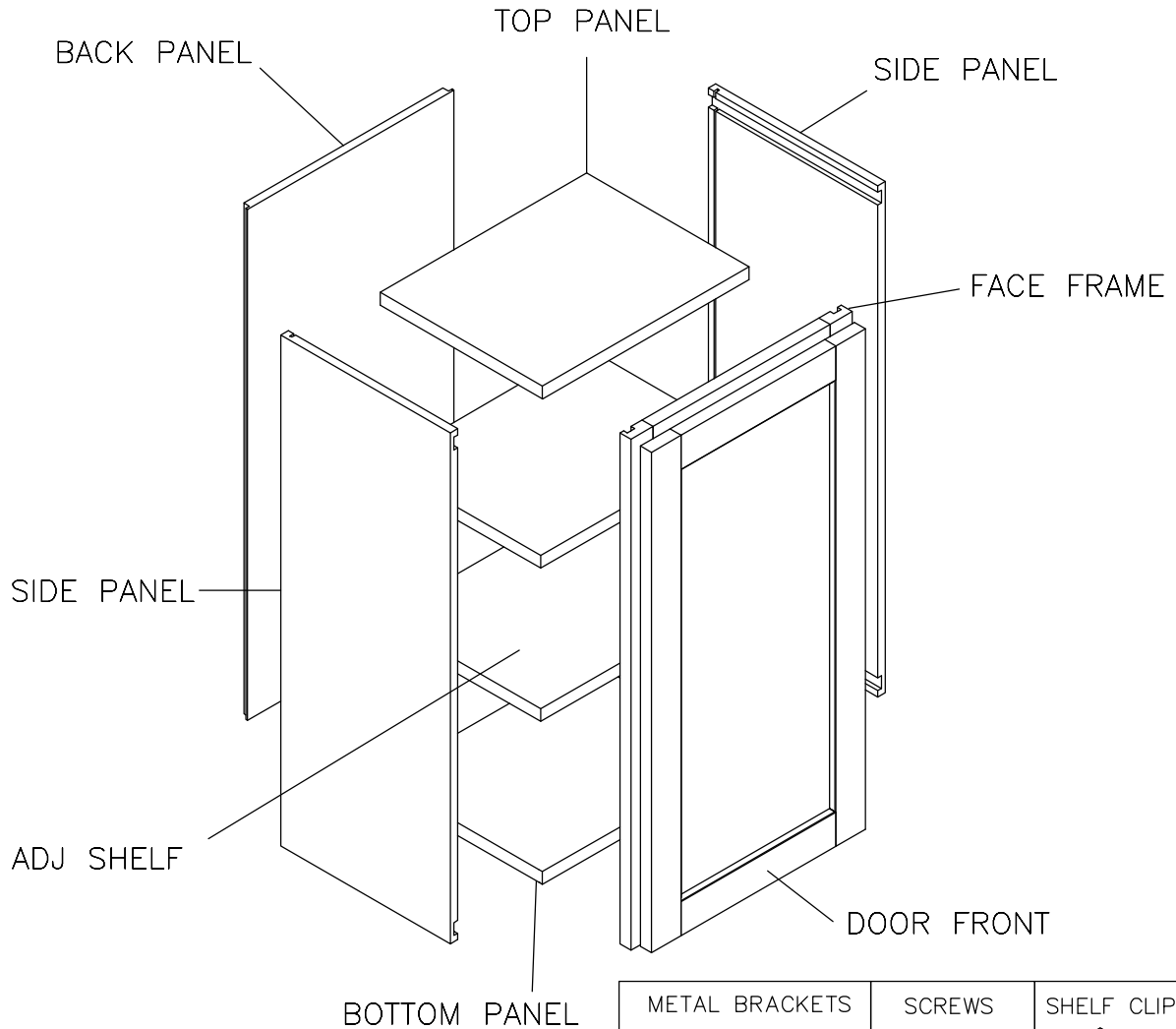


# ASSEMBLY INSTRUCTIONS - WALL CABINET (WITH SHELVES)

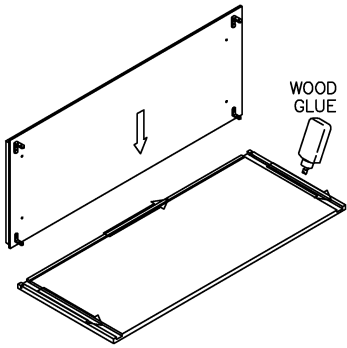


This instruction applies to the following items:

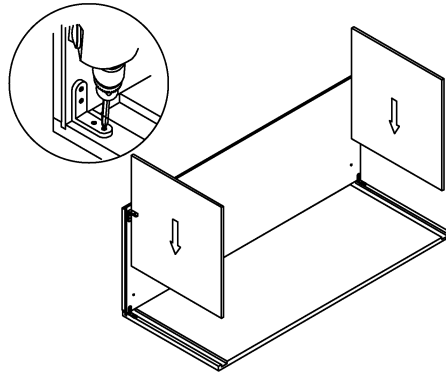
W1224-W2724	W0930-W2130	W2430-W3630
W3024-W3624	W0936-W2136	W2436-W3636
W302427-W362427	W0942-W2142	W2442-W3642

STEP 1

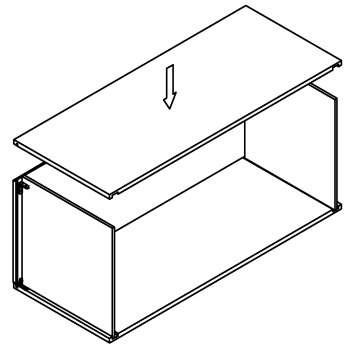
Glue each assembly slot



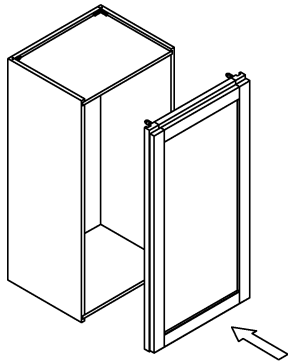
STEP 2



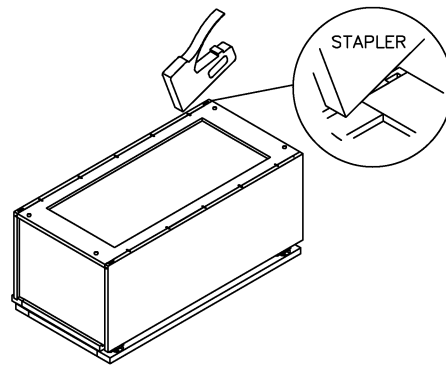
STEP 3



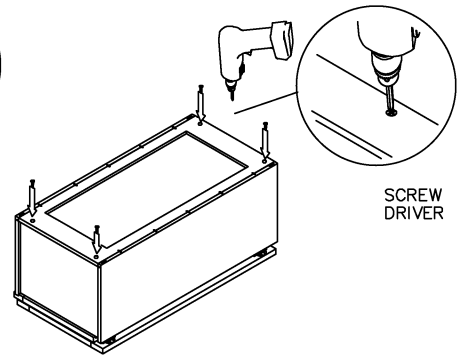
STEP 4



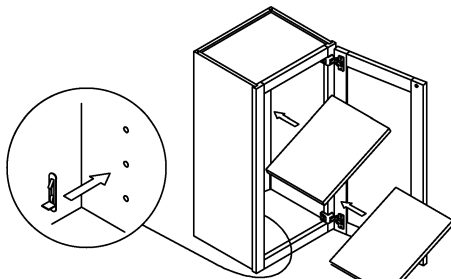
STEP 5



STEP 6

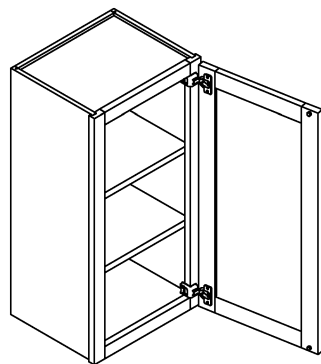


STEP 7



The number of adjustable shelf depends on the actual cabinet type

STEP 8



STEP 9

Double door installation method is the same as above

