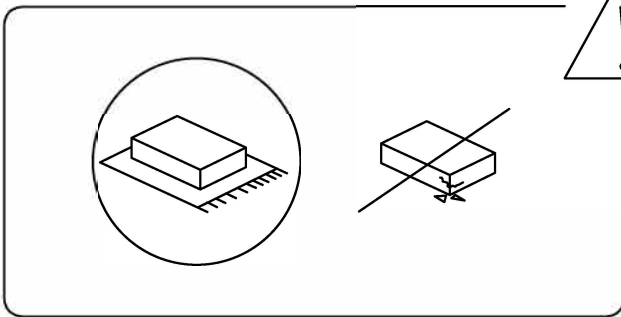
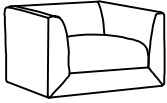




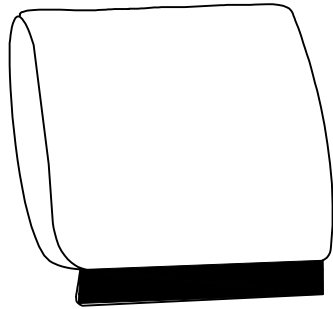
15'



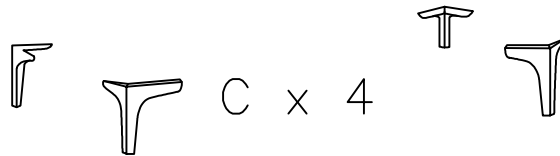
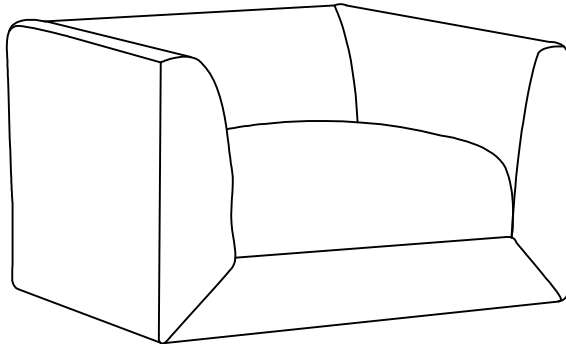
1

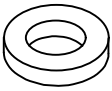

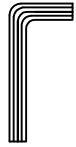
A	B	C		
				
x 1	x 1	x 4		

B x 1








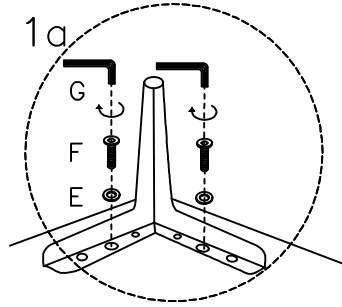
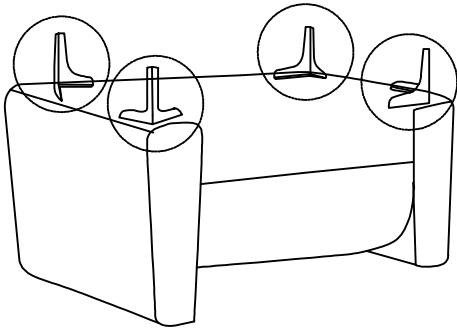
A x 1



E	F	G
		
x 8	x 8	x 1

1

A	C	F	E	G	
					
x 1	x 4	x 8	x 8	x 1	



2

