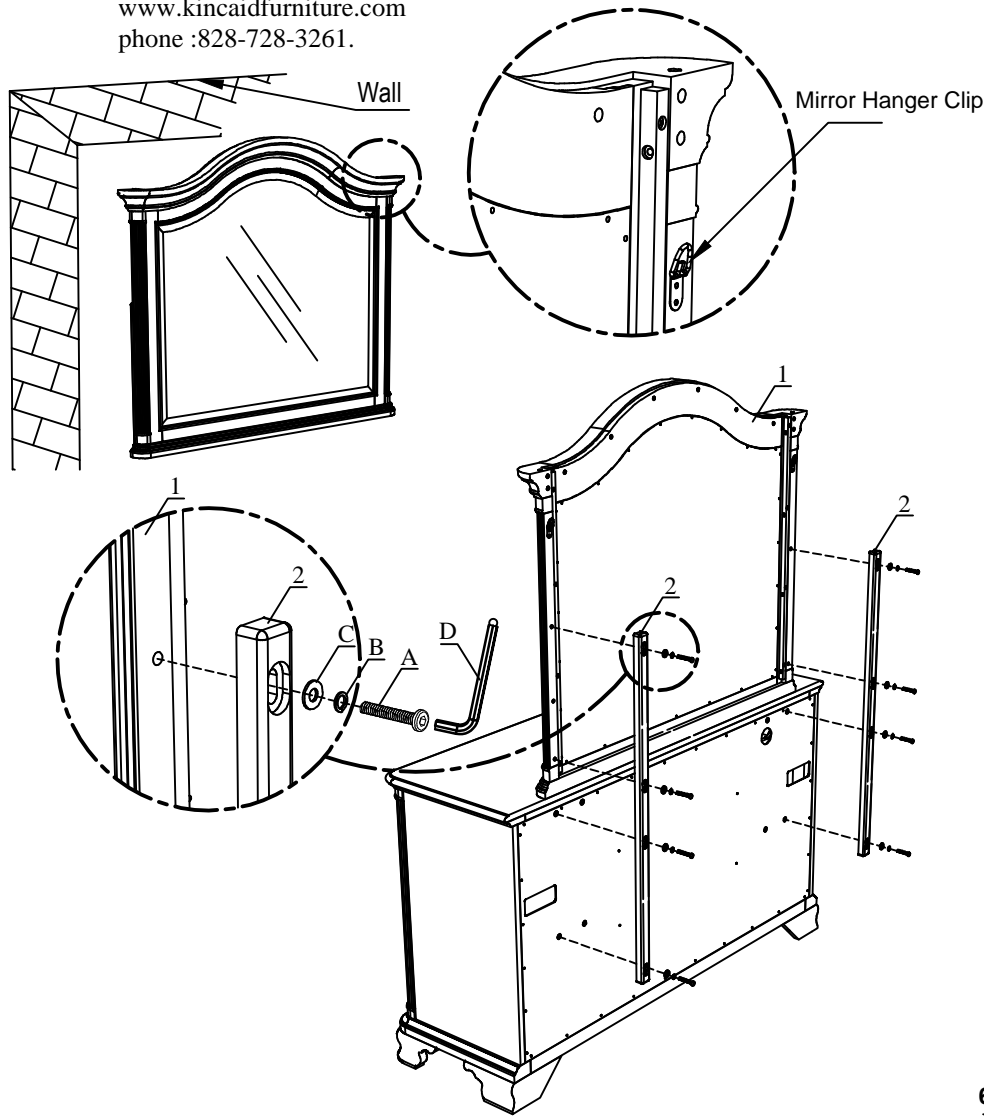






KINCAID

—SOLID WOOD SINCE 1946—

www.kincaidfurniture.com
phone :828-728-3261.



607-020 Landscape Mirror Assembly Instruction Hardware List

CODE		DESCRIPTION	QTY
A		Bolts \varnothing 1-1/2"	8
B		Nqeni'Y kuj gt'Ó"1/4"	8
C		Hrcv'Y kuj gt'Ó"1/4" * 19D	8
D		Allen Key 100*50*4 MM	1

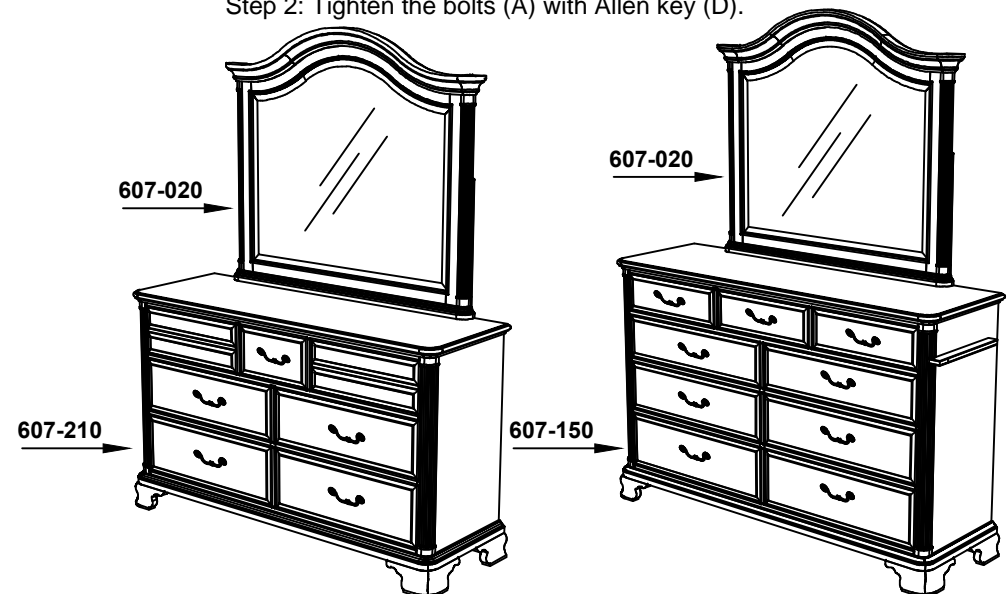
IMPORTANT NOTES

- Place all wooden parts on clean and smooth surface such as rug or carpet to prevent the parts from being scratched.
- Check to be sure that you have all parts and hardware.
- Remove all wrapping materials, including staples and packing straps before you start to assemble.
- Do not tighten all crews and bolts until completely assembled.
- Keep all hardware out of the reach of children

Step 1: Assemble mirror (1) and dresser with mirror support (2) by using flat washer (C), lock washer (B) and bolt (A).

Do not tighten the bolt now.

Step 2: Tighten the bolts (A) with Allen key (D).



MADE IN VIETNAM