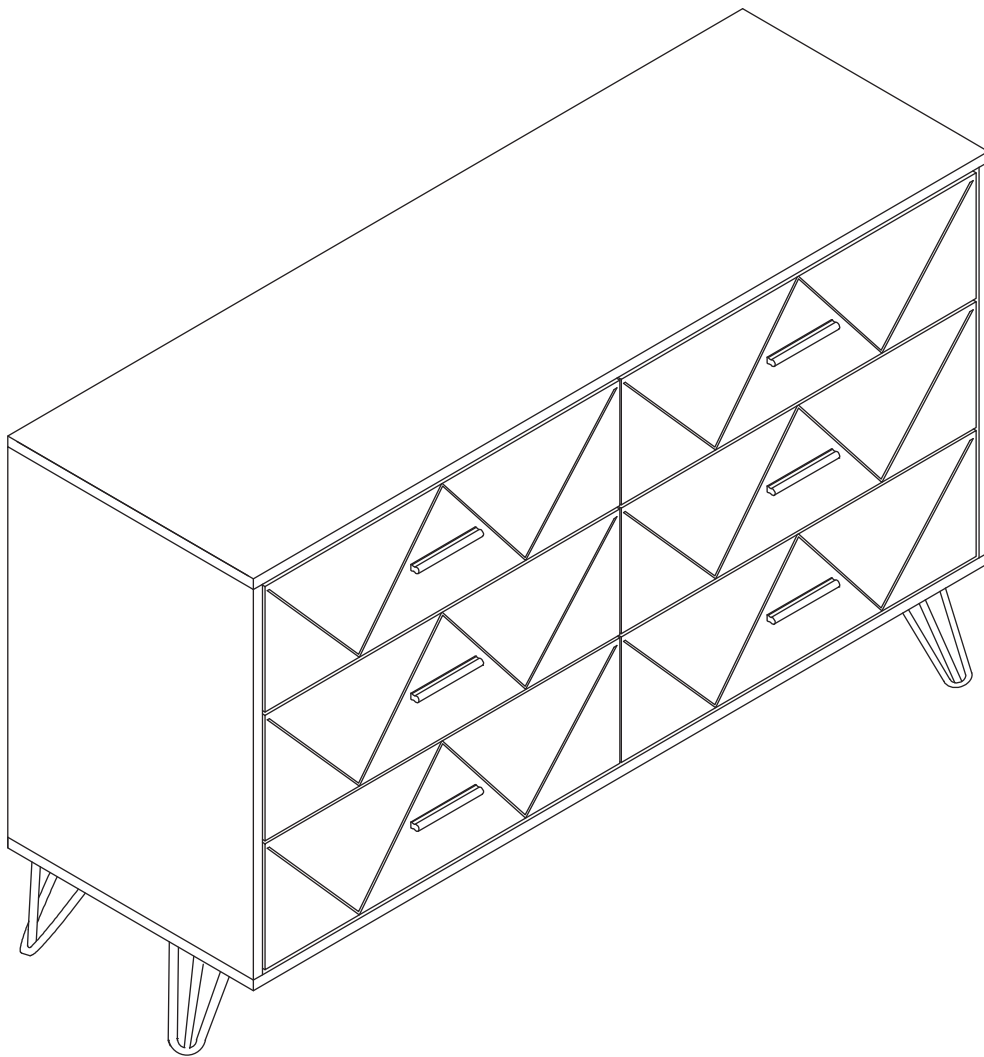


ASSEMBLY INSTRUCTIONS



THIS INSTRUCTIONS CONTAINS IMPORTANT SAFETY INFORMATION.
PLEASE READ BEFORE ASSEMBLY AND KEEP FOR FUTURE REFERENCE.

Need Parts or Assistance? Email us at cs@nbrehome.com

IMPORTANT NOTICE

- This product contains small components, please ensure that they are kept away from small children.
- THIS INSTRUCTIONS CONTAINS IMPORTANT SAFETY INFORMATION. PLEASE READ BEFORE ASSEMBLY AND KEEP FOR FUTURE REFERENCE.
- Read each step carefully. It is very important that each step of instruction is performed in the correct order. If these steps are not followed in sequence, assembly difficulties will occur.
- Make sure all parts are included. Most parts are labelled or stamped on the raw edge.
- Work in spacious area, preferably on a carpet, near the place the unit will be used.
- Do not use power tools to assemble your furniture. Power tools may strip or damage the parts.
- Move your new furniture carefully, with two people lift and carry the unit to it's new location.
- Never push, drag or pull your furniture (especially on carpet)





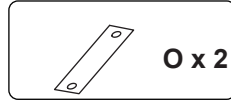
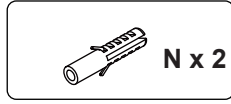
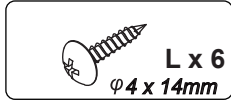
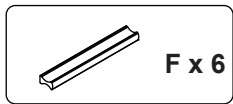
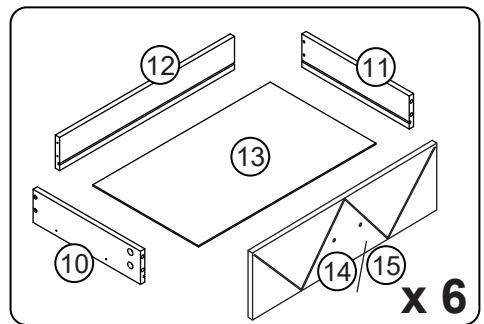
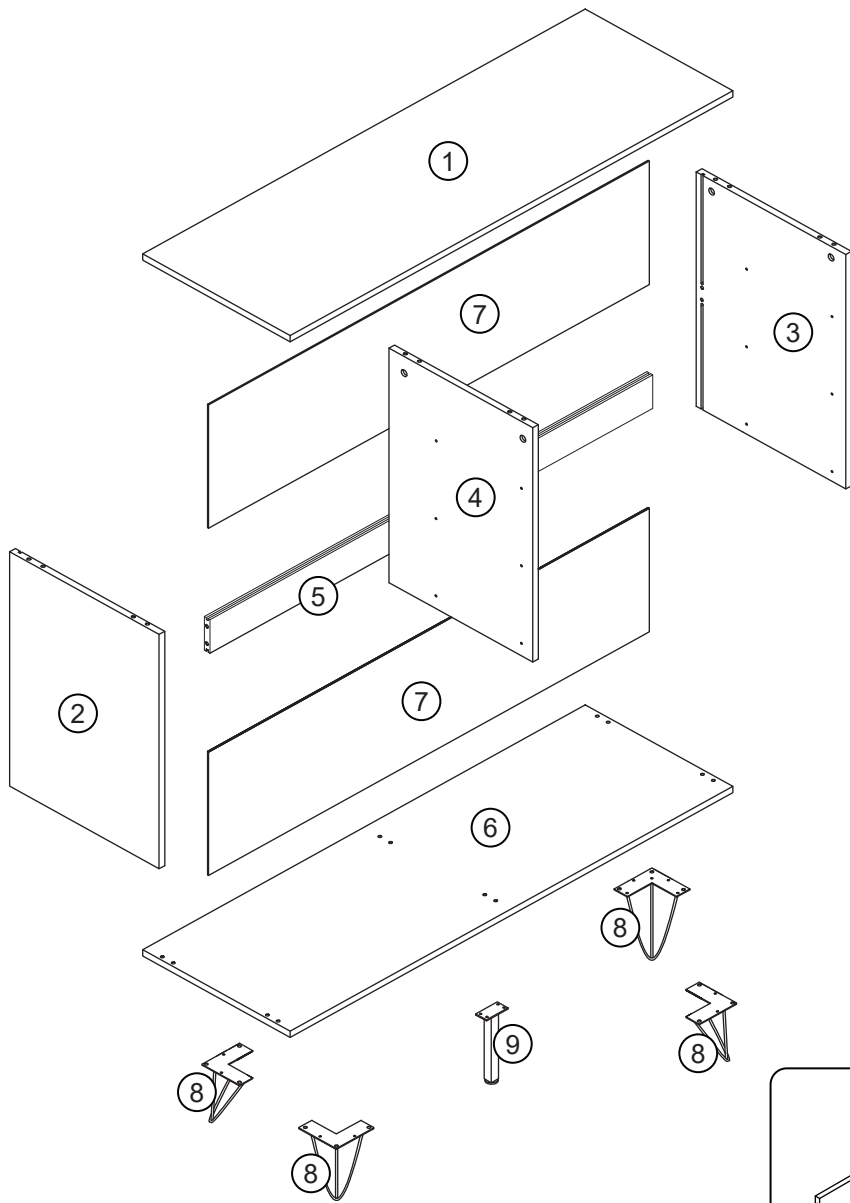
PLEASE DO NOT RETURN PRODUCT TO US IMMEDIATELY

If a part is missing or damaged, email our customer service. We will gladly ship your replacement parts FREE of charge.

Need Parts or Assistance? Email us at cs@nbrehome.com

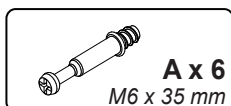
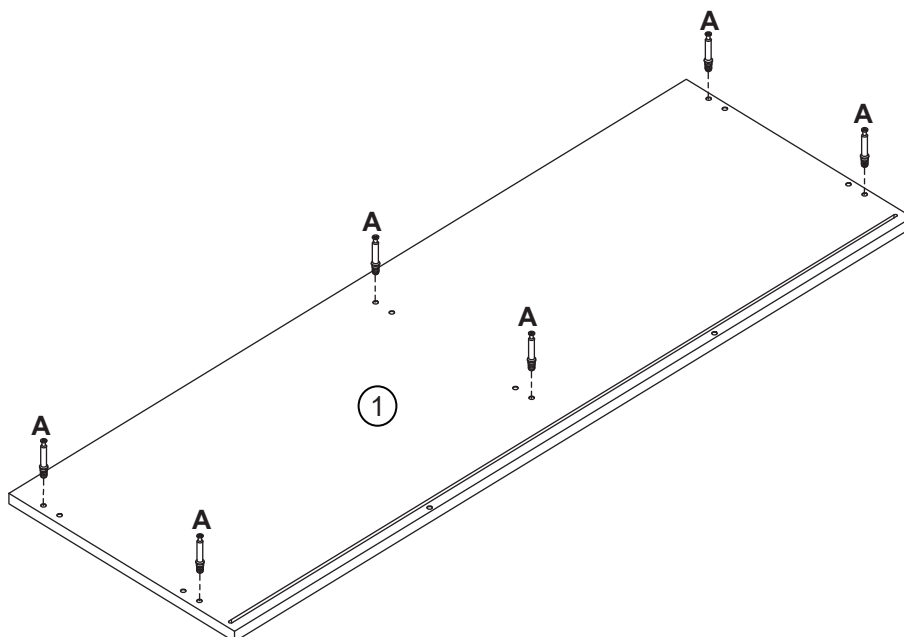
For Prompt, reliable service, please have your assemble instruction ready.

 WARNING	
	<p>Children have died from furniture tipover. To reduce the risk of furniture tipover:</p> <ul style="list-style-type: none">• ALWAYS install tipover restraint provided.• NEVER put a TV on this product.• NEVER allow children to stand, climb or hang on drawers, doors, or shelves.• NEVER open more than one drawer at a time.• Place heaviest items in the lowest drawers.
	



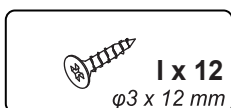
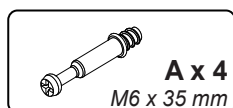
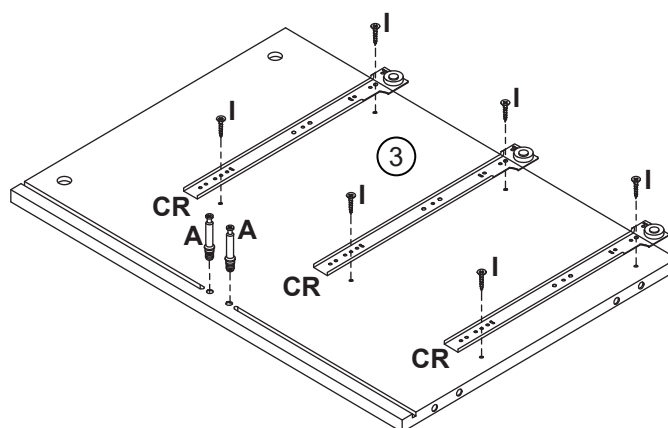
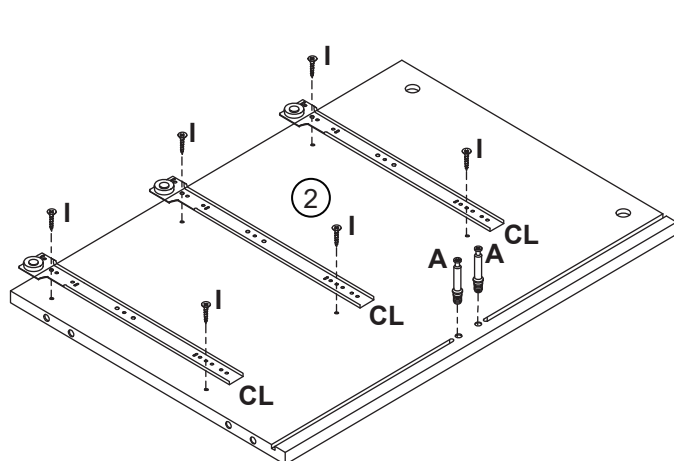
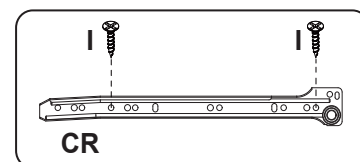
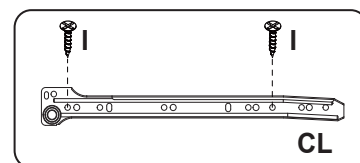
Step 1

Insert quickfit screws(A) into corresponding holes in part 1 as shown.



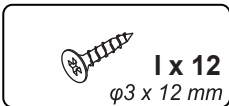
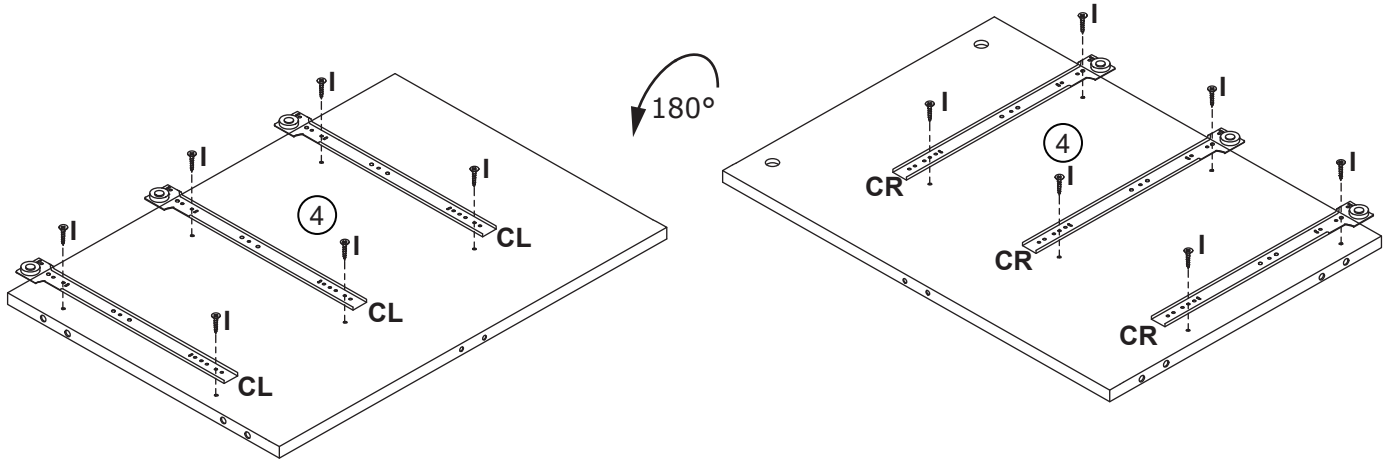
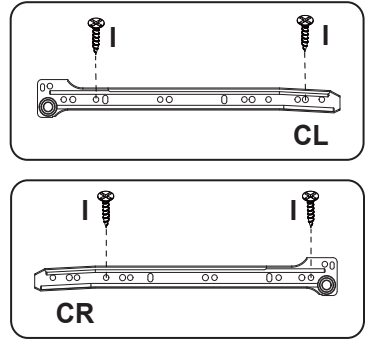
Step 2

Insert screws(A) into part 2 and 3 as shown.
Fix left outer drawer runner (CL) and right outer drawer runner (CR) to parts 2 and 3 using screws (I), as shown.



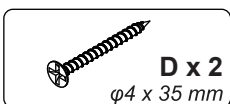
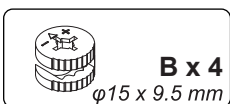
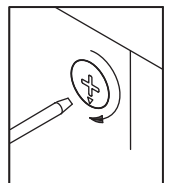
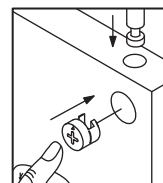
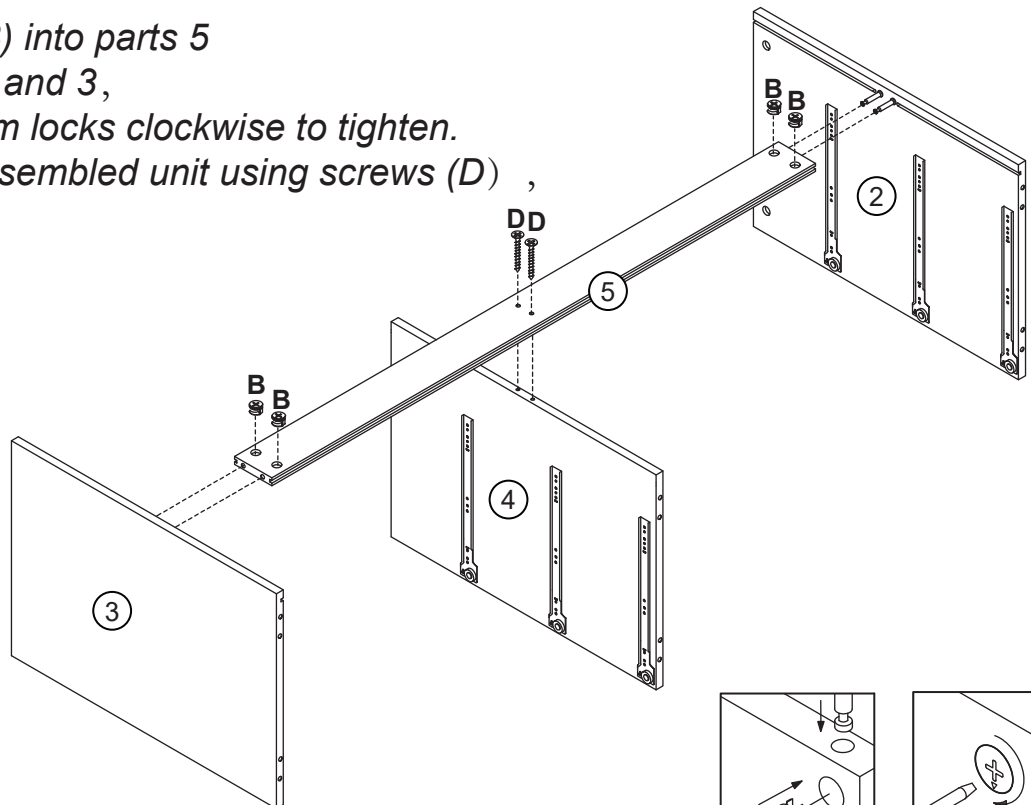
Step 3

Fix right outer drawer runner (CR) to part 4 using screws (I) , then flipping part 4 180degrees horizontally to fix left outer drawer runner (CL)



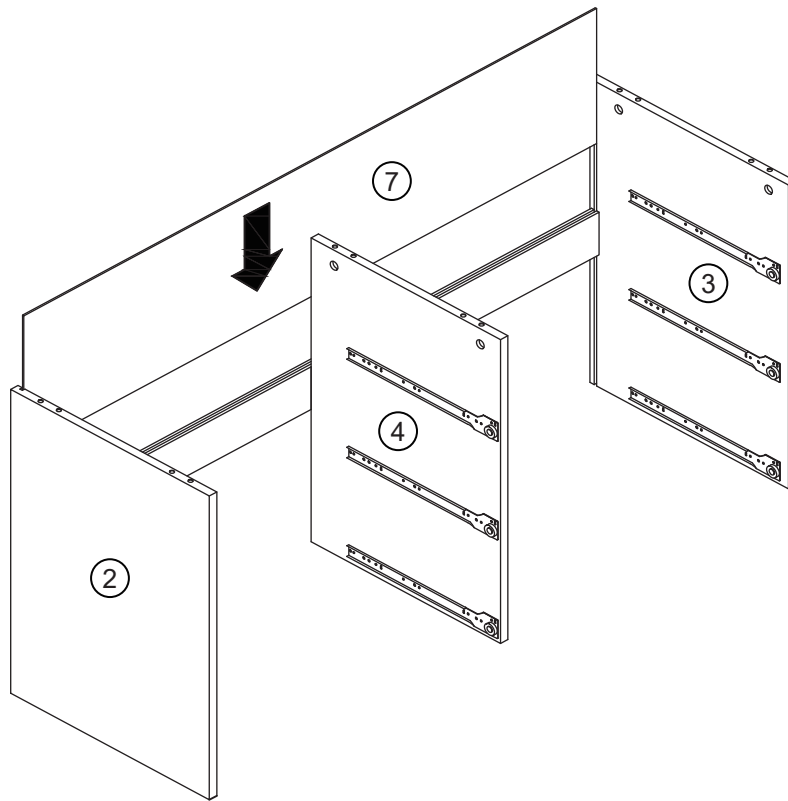
Step 4

Insert cam locks(B) into parts 5 and attach parts 2 and 3, as shown. Turn cam locks clockwise to tighten. Attach part 4 to assembled unit using screws (D) , as shown.



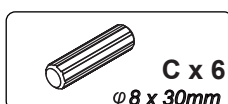
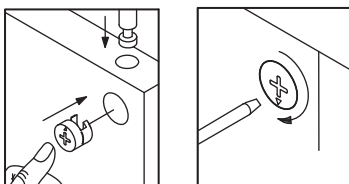
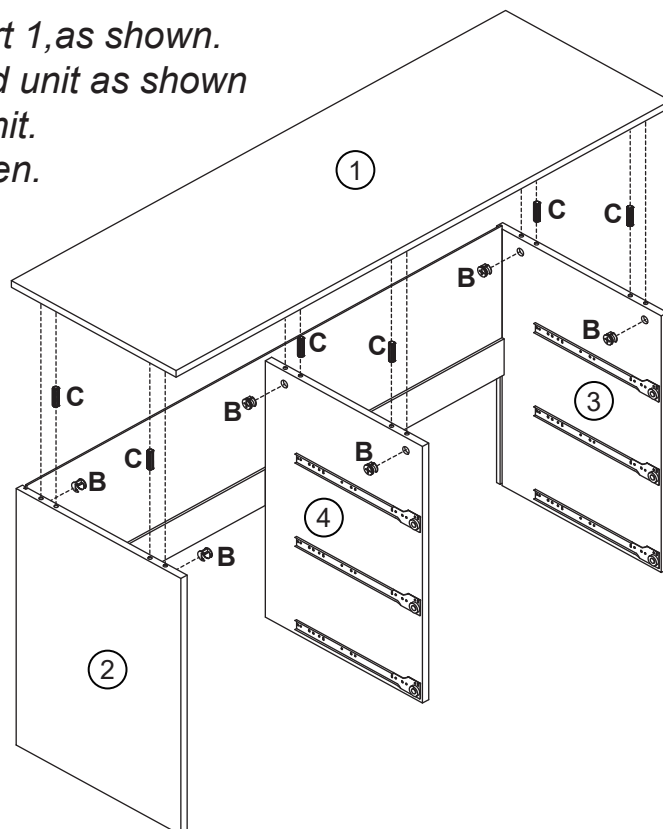
Step 5

Slide part 7 into available slots of parts 2 and 3 as shown.



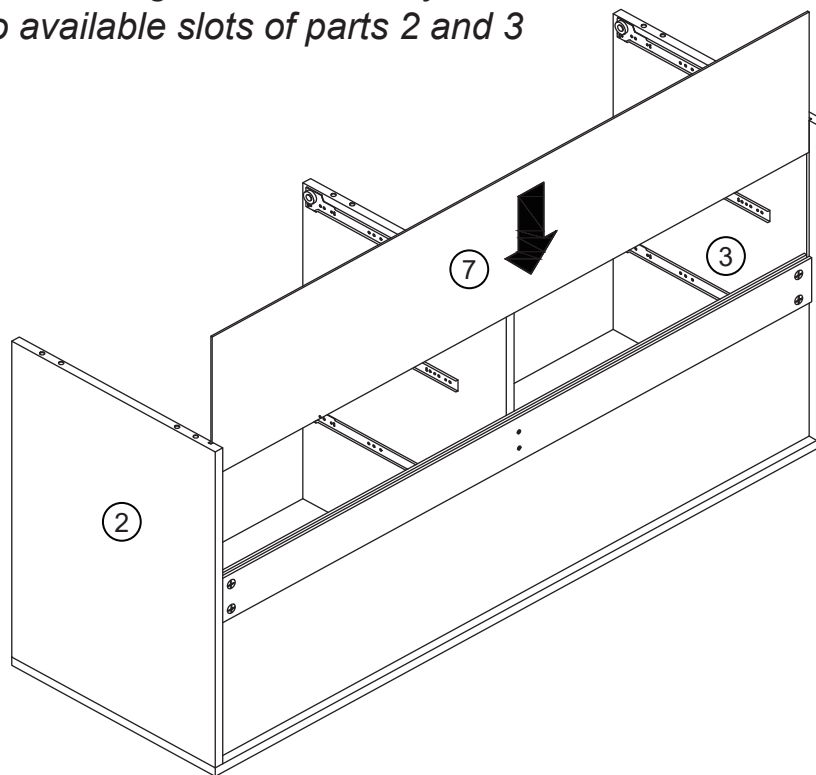
Step 6

Insert wooden dowels (C) into part 1, as shown.
Add cam locks (B) into assembled unit as shown
and attach part 1 to assembled unit.
Turn cam locks clockwise to tighten.



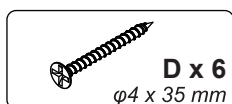
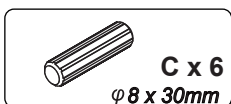
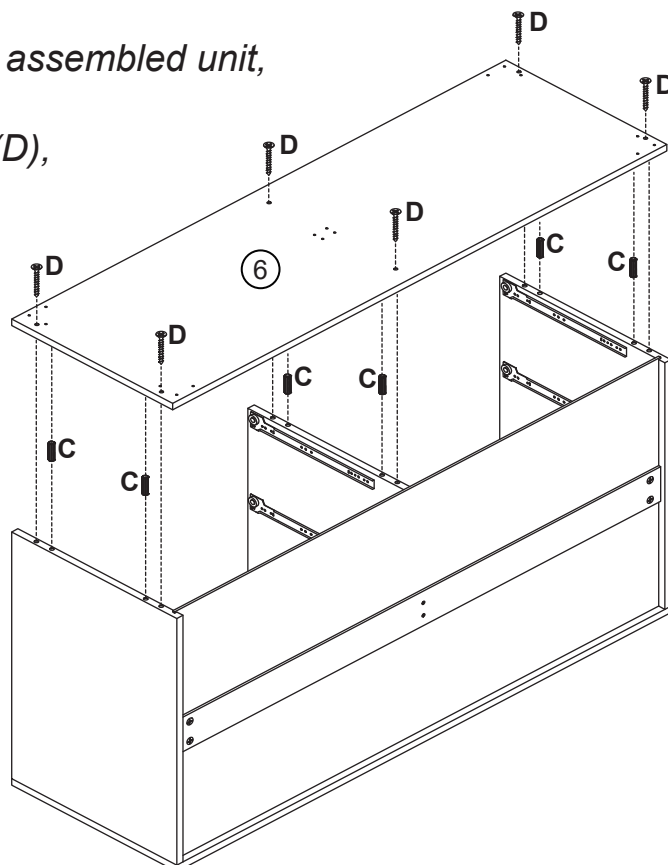
Step 7

Flipping assembled unit 180degrees horizontally then sliding part 7 into available slots of parts 2 and 3 as shown.



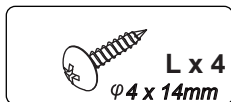
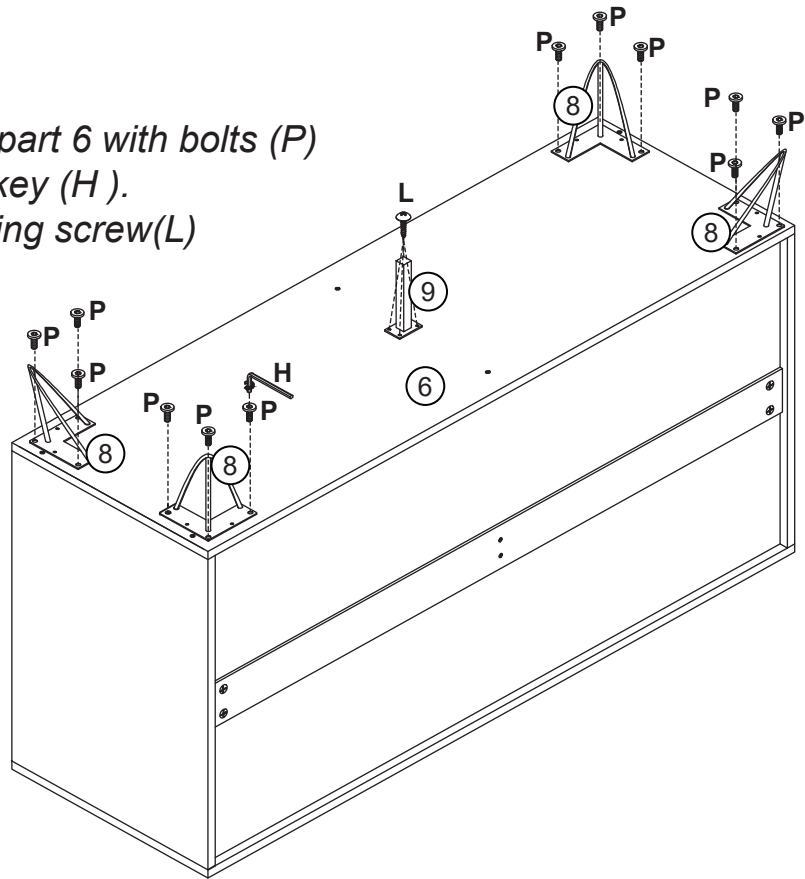
Step 8

Insert wooden dowels (C) into assembled unit, as shown. Attach part 6 to assembled unit using screws (D), as shown.



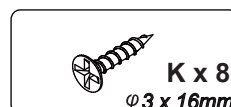
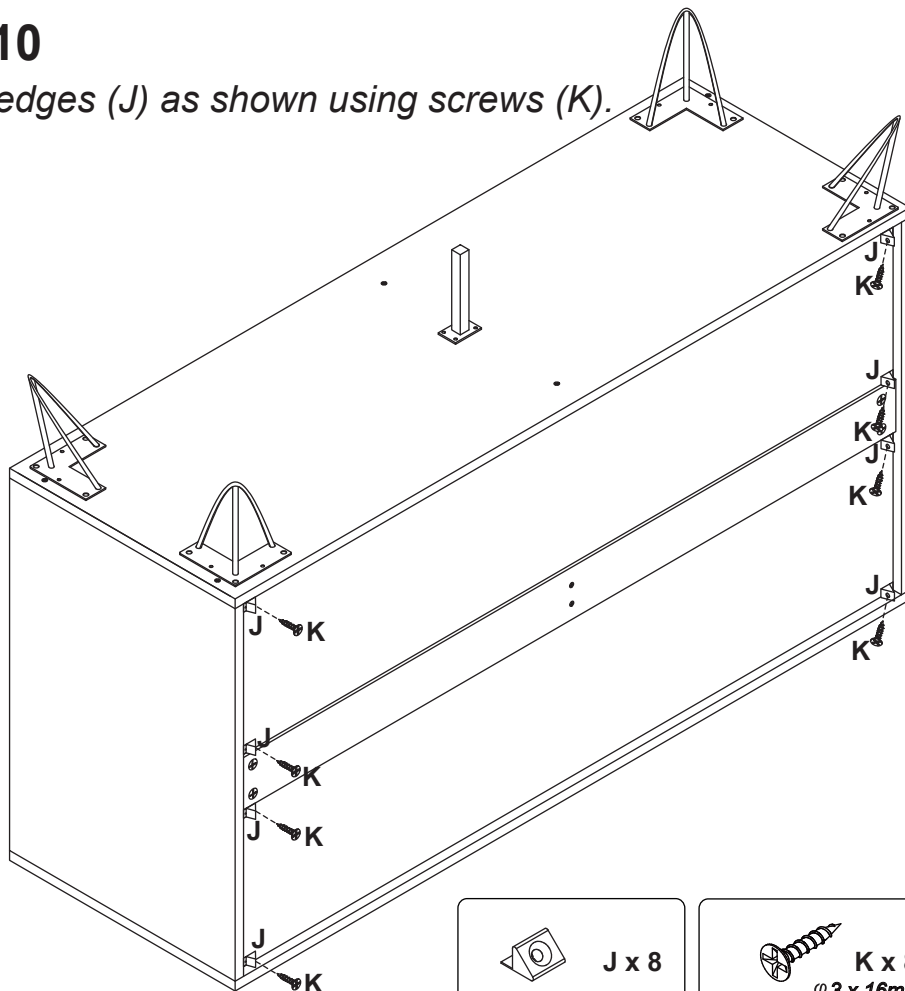
Step 9

Attach legs parts 8 to the part 6 with bolts (P) and tighten with an Allen key (H). Then fix leg 9 to part 6 using screw (L) as shown.



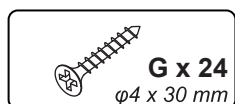
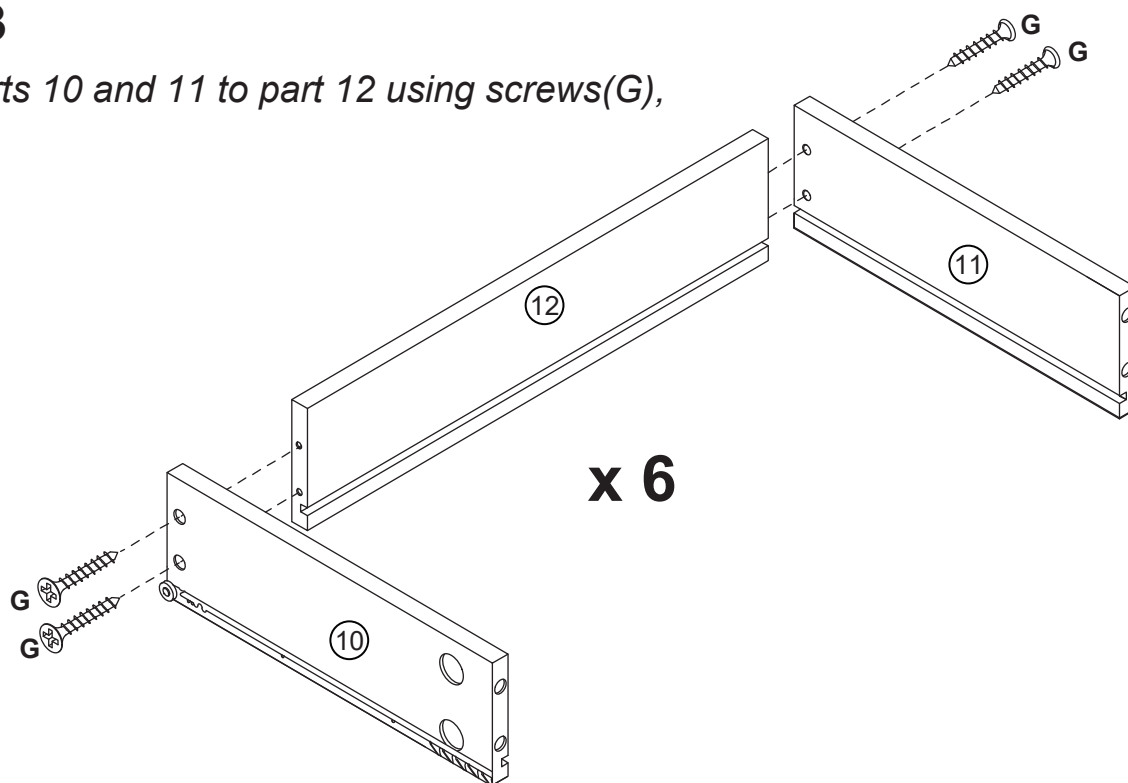
Step 10

Attach wedges (J) as shown using screws (K).



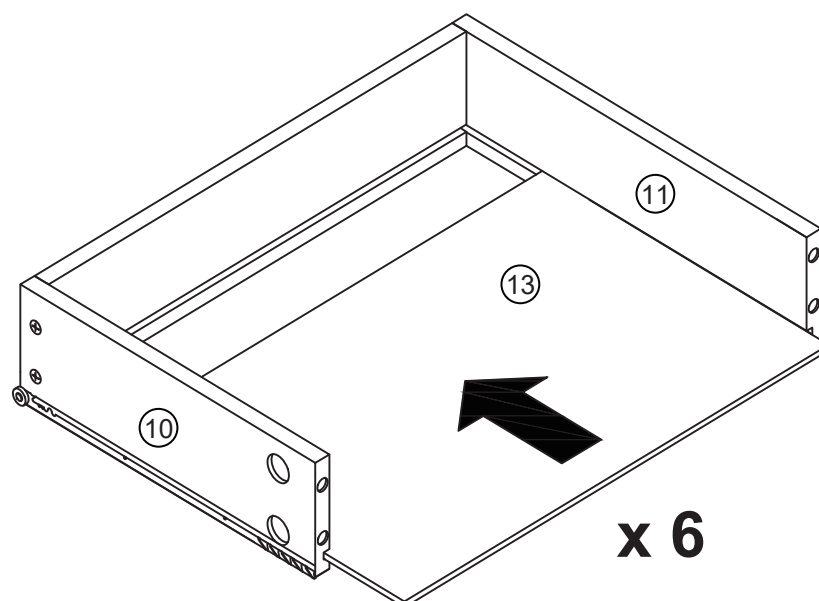
Step 13

Attach parts 10 and 11 to part 12 using screws(G), as shown.



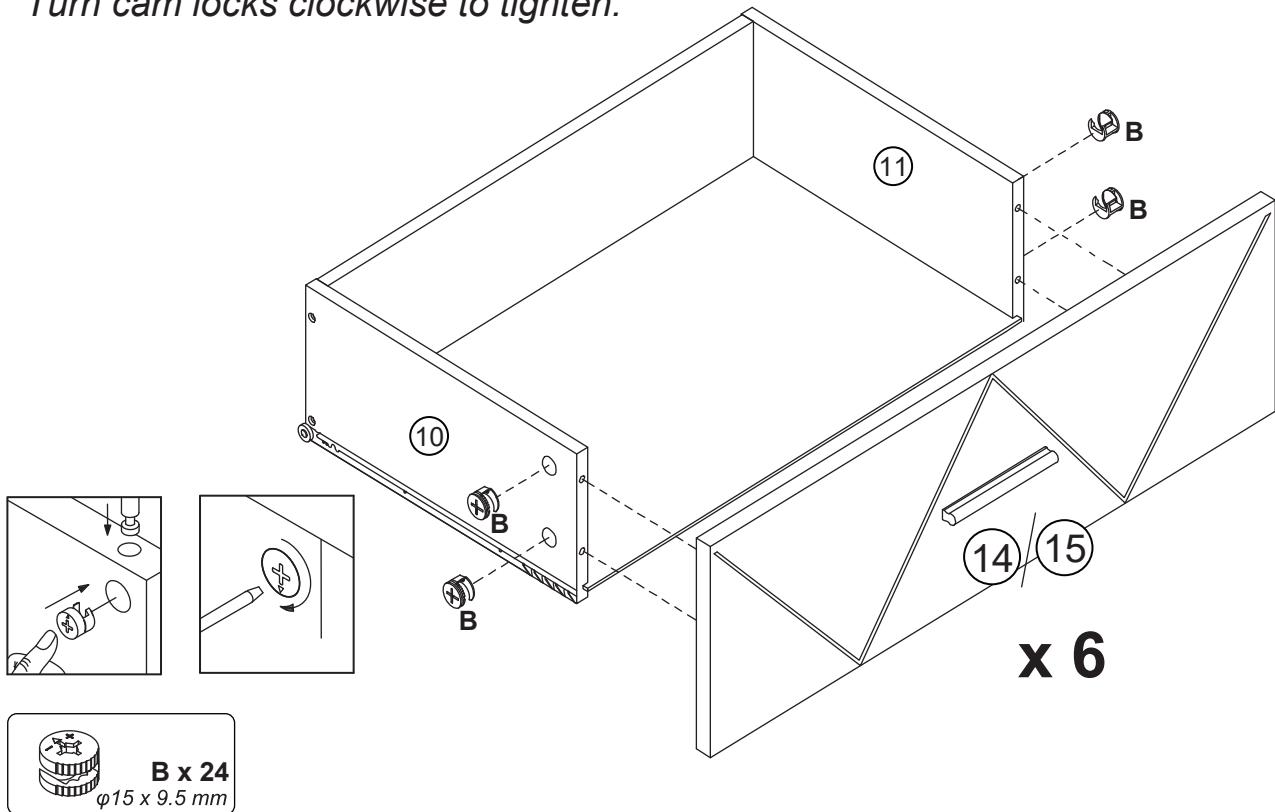
Step 14

Slide part 13 into available slots of parts 10 and 11, as shown.



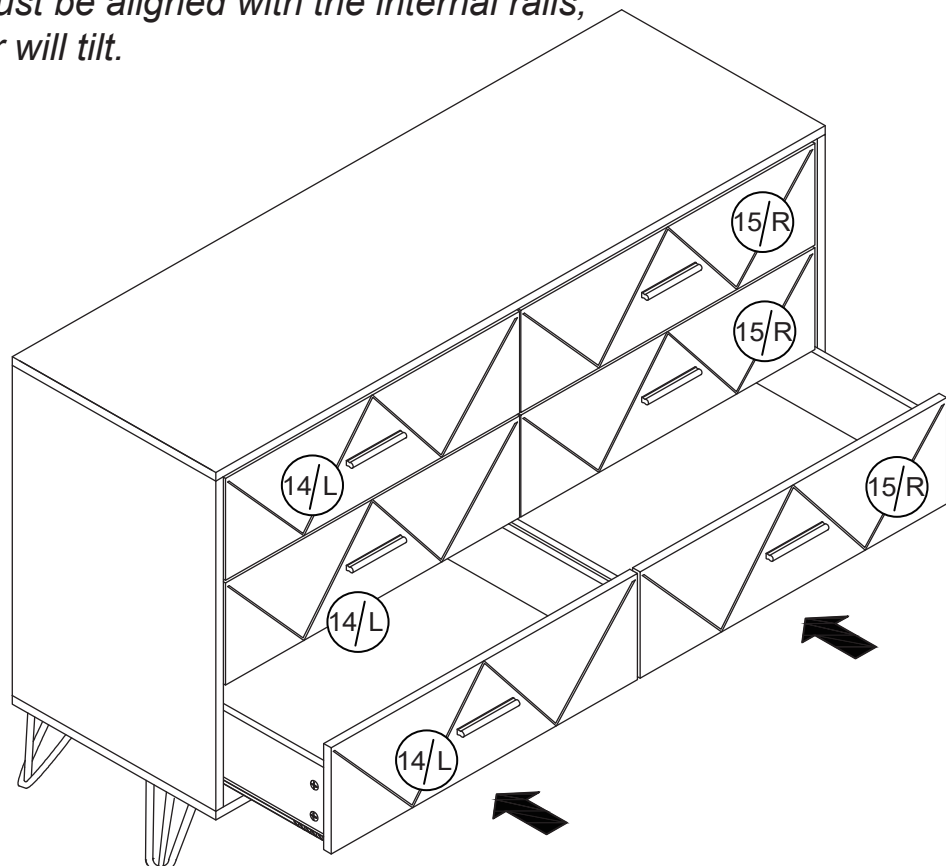
Step 15

Insert cam locks(B) to parts 10 and 11 and attach part 14 and 15 as shown.
Turn cam locks clockwise to tighten.



Step 16

The drawer slides must be aligned with the internal rails,
otherwise the drawer will tilt.



Step 17

Install anti-tipping device as shown.

