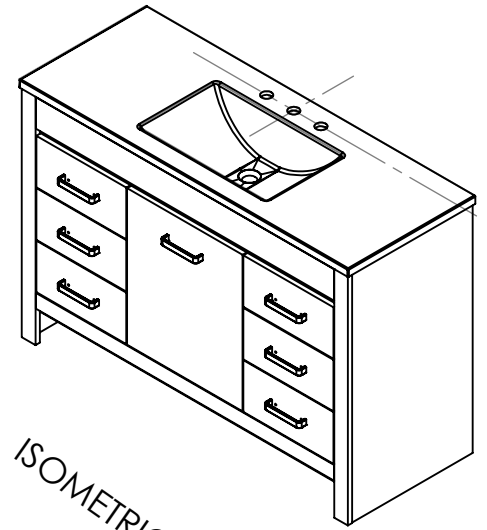
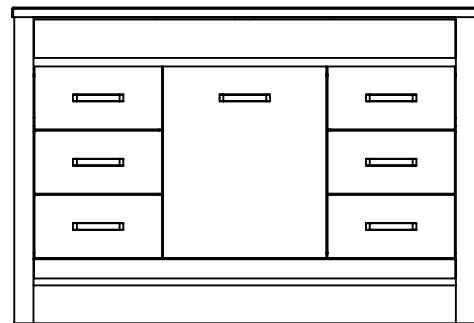


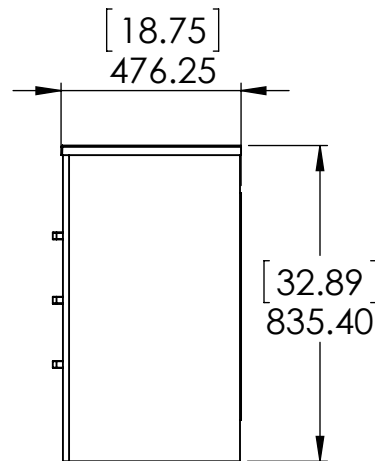
TOP VIEW



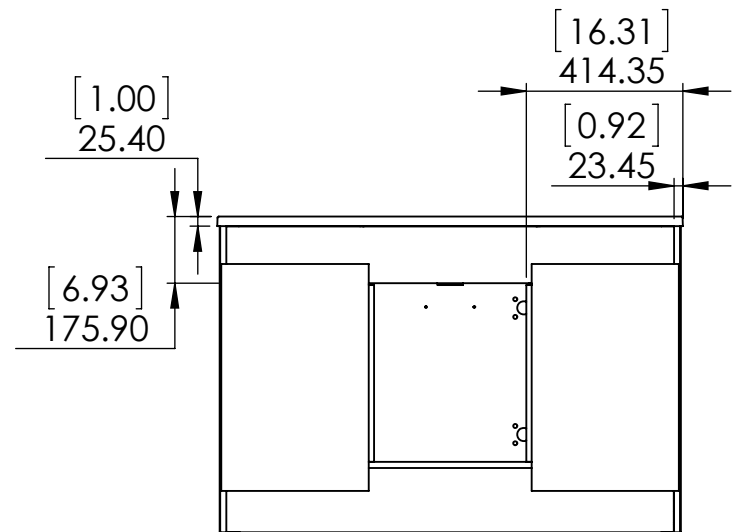
ISOMETRIC VIEW



FRONT VIEW

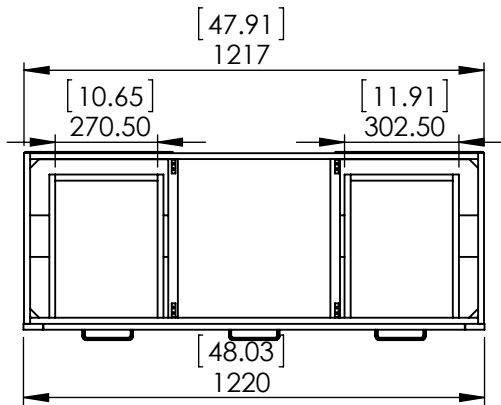


SIDE VIEW

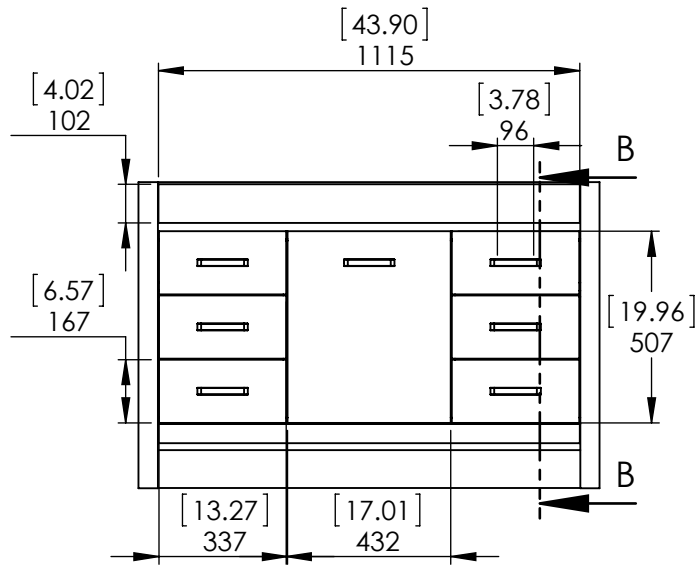
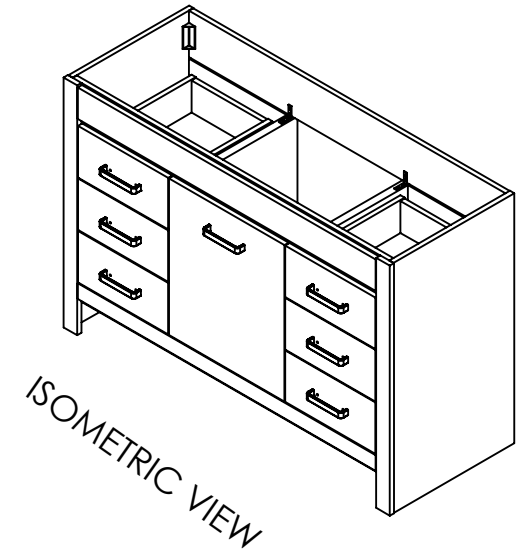


BACK VIEW

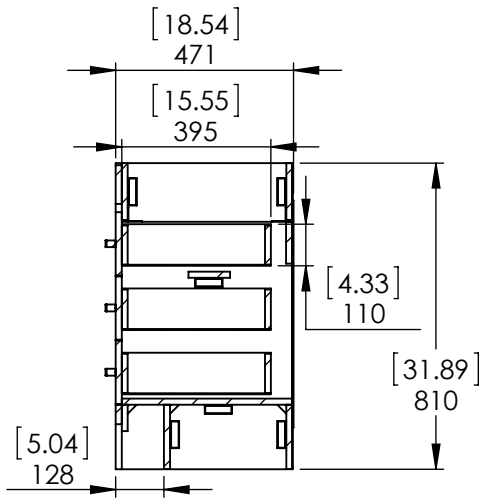
REV	ING	
APR	R&D	



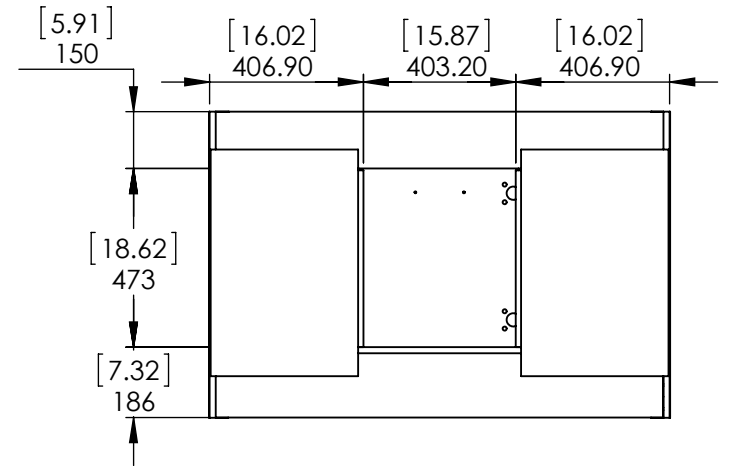
TOP VIEW



FRONT VIEW



SIDE VIEW



BACK VIEW

DWR	JGR	03/15/24
REV	ING	
APR	R&D	

ITEM TYPE	ITEM ID	ITEM DESCRIPTION	DRAWING STATUS
		Top, Alpine 48.50x18.75in White 8in	R&D

REV	DESCRIPTION	DATE	APPROVAL
0	RELEASED	05/09/23	E. SANDOVAL

