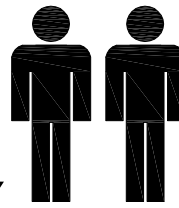


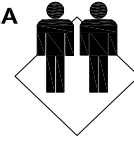
1.5hr

APPROXIMATE ASSEMBLY TIME



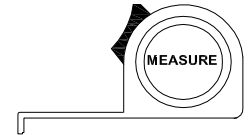
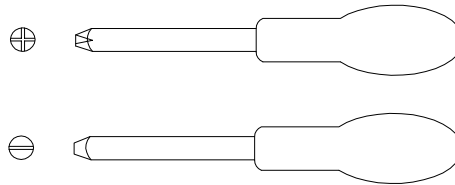
2 PERSON OF ASSEMBLY

**FLOOR AREA
1.0M X 2.0M**

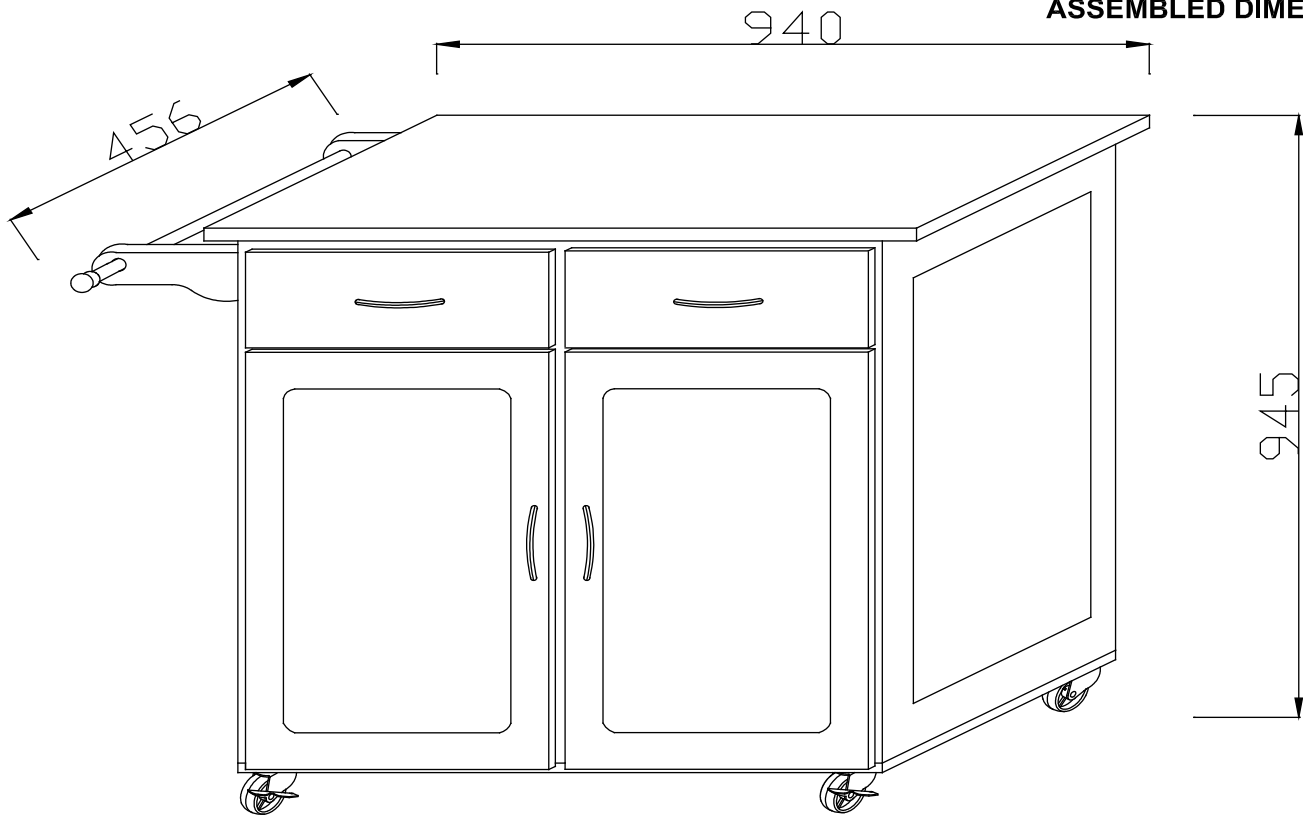


REQUIRED ASSEMBLY SPACE

REQUIRED ASSEMBLY TOOLS



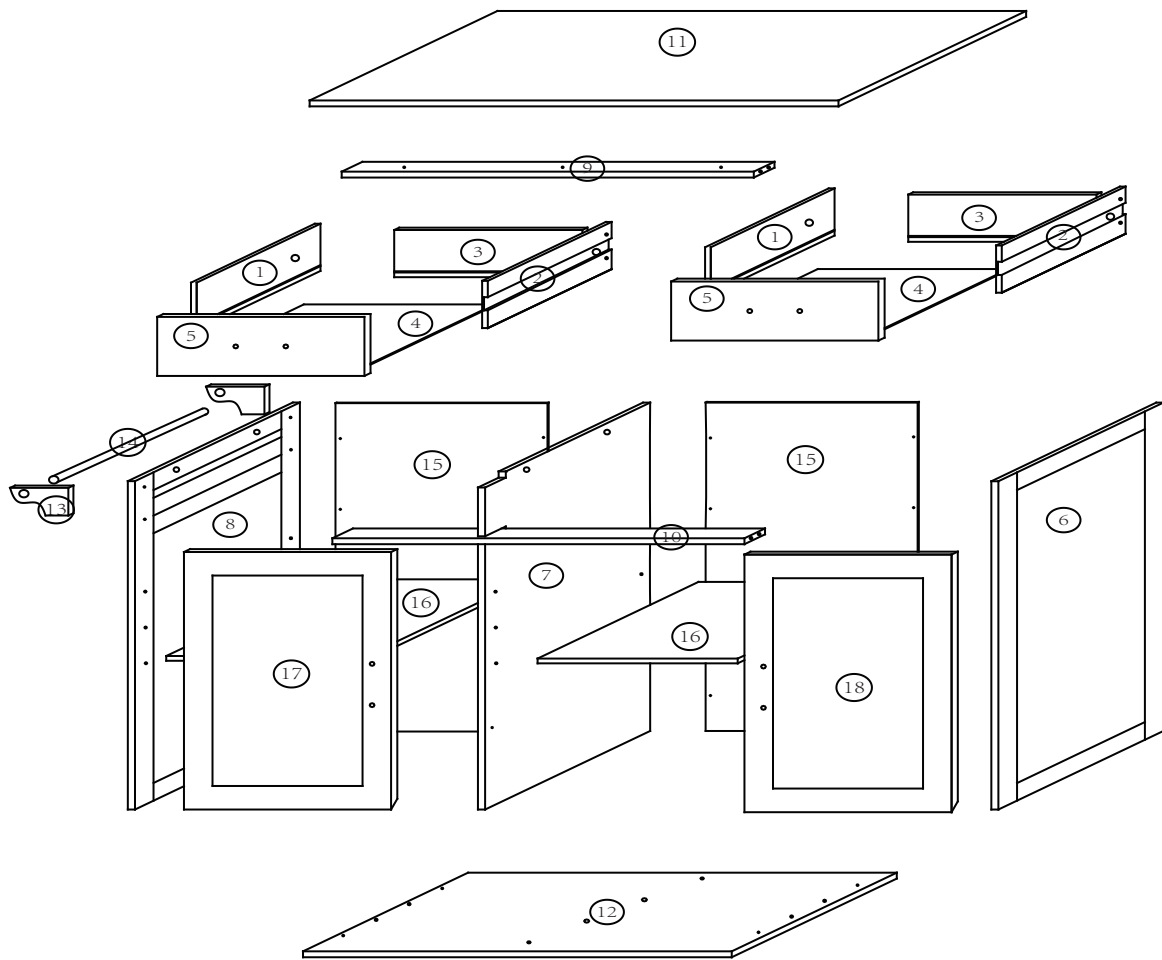
ASSEMBLED DIMENSIONS






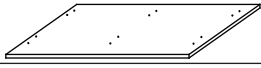

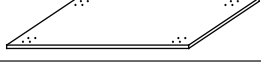

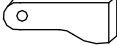

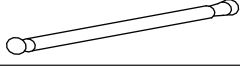
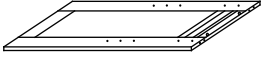

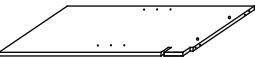

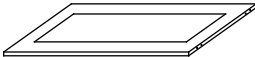
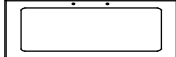

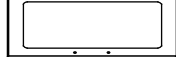
Thank you for purchasing our product!

Please assemble the products with the guidance of this manual instruction. Contact our friendly customer service department with any comments or in case there is any missing or damaged parts or hardware. Replacements for missing or damaged parts or hardware are normally shipped within 2 to 3 days.

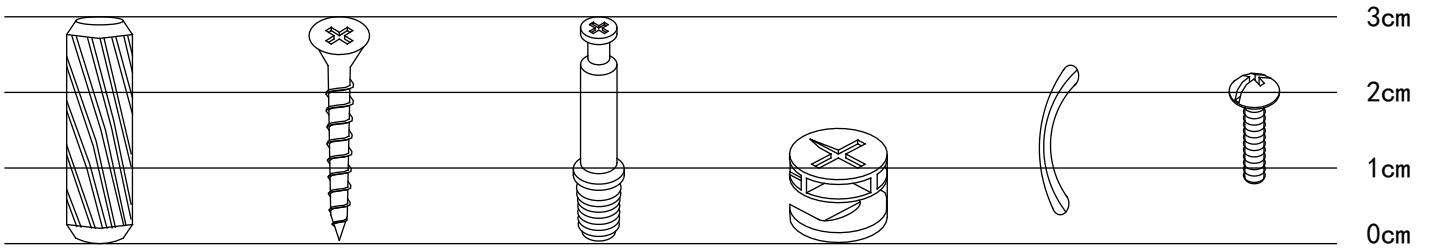
We appreciate your business !



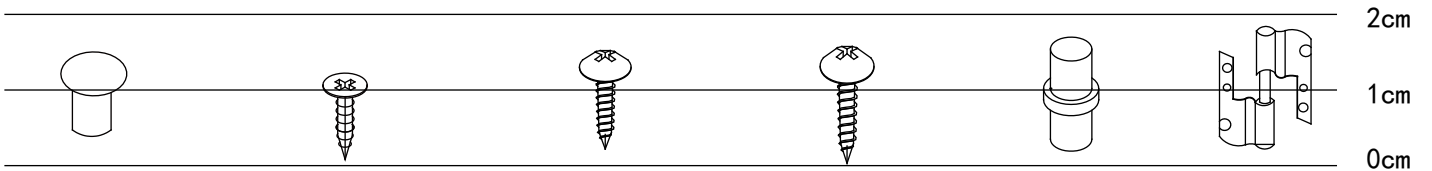
Part List

ITEM	DESCRIPTION	PART	QTY	ITEM	DESCRIPTION	PART	QTY
1	Drawer Side Panel(L)		2PCS	10	Upper cross bar		1PC
2	Drawer Side Panel(R)		2PCS	11	Top Panel		1PC
3	Drawer Back Panel		2PCS	12	Bottom Panel		1PC
4	Drawer Bottom Panel		2PCS	13	Tower Rack support		2PCS
5	Drawer Front		2PCS	14	Tower Post		1PC
6	Right Panel		1PC	15	Back Panel		2PCS
7	Middle Panel		1PC	16	Adjustable shelf		2PCS
8	Left Panel		1PC	17	Left Door		1PC
9	Lower cross bar		1PC	18	Right Door		1PC

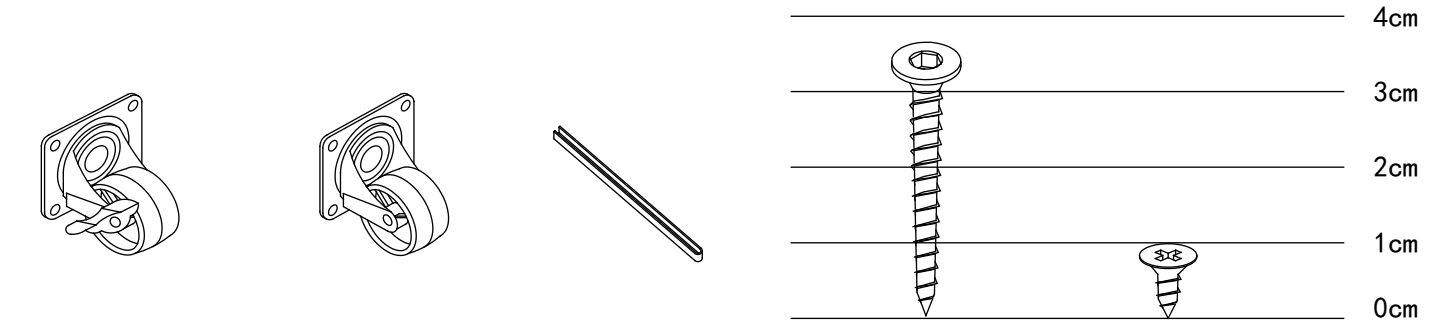
Hardware List



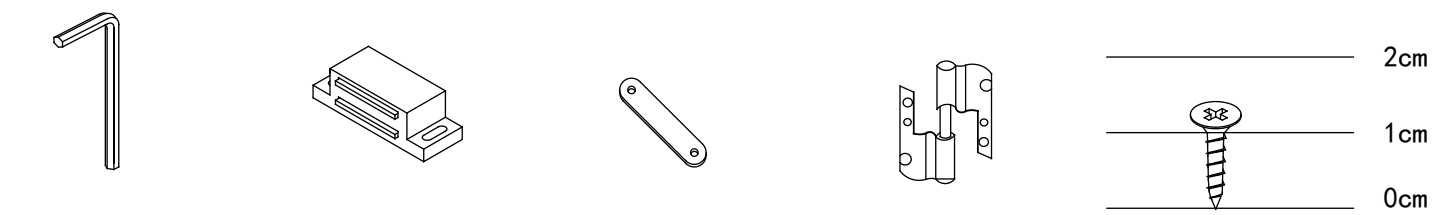
16× Dia.8×30mm **A** Wooden Dowel
 12× M3.5×30mm **B** Screw
 16× M6mm **C** Camlock Bolt
 16× Dia.15mm **D** Camlock
 4× 9.5mm **G** Door Handle
 8× **H** Handle Bolt



4× **I** Drawer Stopper
 16× M3.5×12mm **J** Screw
 26× **K** Screw
 16× M5×15mm **L** Castor Screws
 8× **M** Shelf pin
 2× **N** Right Hinges



2× **O** 3*castor with Brake
 2× **P** 3*castor without Brake
 2× **Q** Plastic Runner
 10× **R** Allen Bolt
 8× M3×10mm **S** Screw



1× **T** Allen Wrench
 2× **U** Magnetic Catch
 2× **V** Metal bar
 2× **W** Left Hinges
 4× M2.5×14mm **X** Screw

Top Tips before you start!

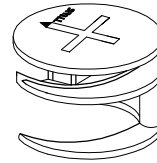
1. Please check that all parts are present before you start the assembly of your furniture, as once assembled, the furniture is exempt from our home approval policy.
2. For ease and speed of assembly, we recommend that before you commence each step of the assembly, that you identify all the parts required for that step.
3. For larger items, please ensure that you have sufficient space and people (as indicated on page 1) to assemble your product safely
4. We recommend that, where possible, all items are assembled near to the area in which they will be placed in use, to avoid moving the product unnecessarily once assembled.
5. For the protection of your furniture, particularly items of high gloss finish, we recommend that the product is placed on a protected surface during assembly to prevent any damage.
6. During assembly please take care not to over-tighten any fittings, as this may damage the product.
7. Always place the product on a flat, steady and stable surface.
8. Do not sit or stand on the product.
9. This product is intended for indoor, household use only as it is non industrial product.

Care and Maintenance of your Furniture

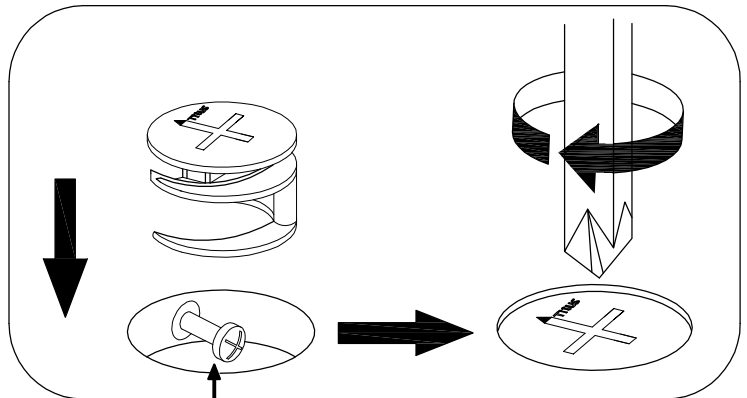
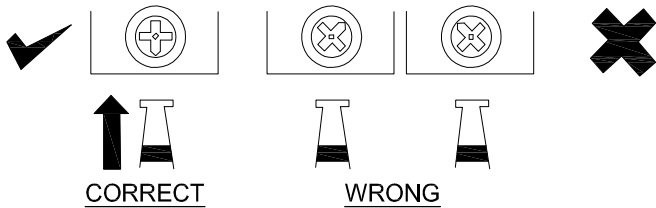
- Please periodically check all fittings are re-tighten as necessary.
- To clean your item, please use a damp cloth and wipe clean.
- Never allow any kind of liquid to remain on your furniture. Absorption can cause wood to warp or finishes to de-laminate.
- Please do not place hot items (e.g. hot drinks) directly on to the wood surface.
- Please do not drag and pull your furniture.

SPECIAL TIPS FOR FITTING CAM-LOCKS AND QUICKFIT

CAM-LOCK



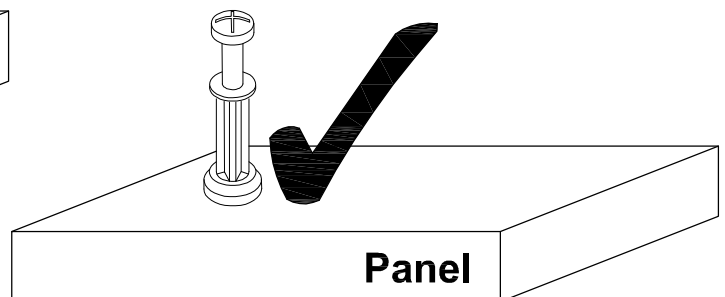
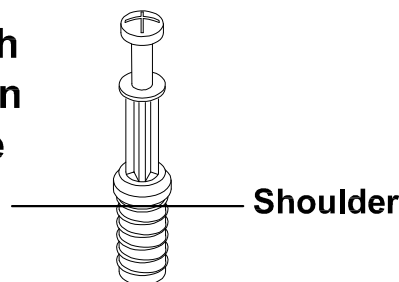
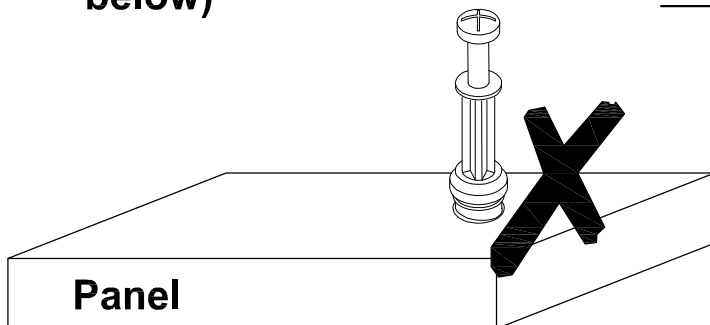
WHEN FITTING CAMLOCK
ENSURE STARTING POSITION IS CORRECT
BEFORE YOU INSERT CONNECTING QUICKFIT
TURN CLOCKWISE UNTIL SECURE



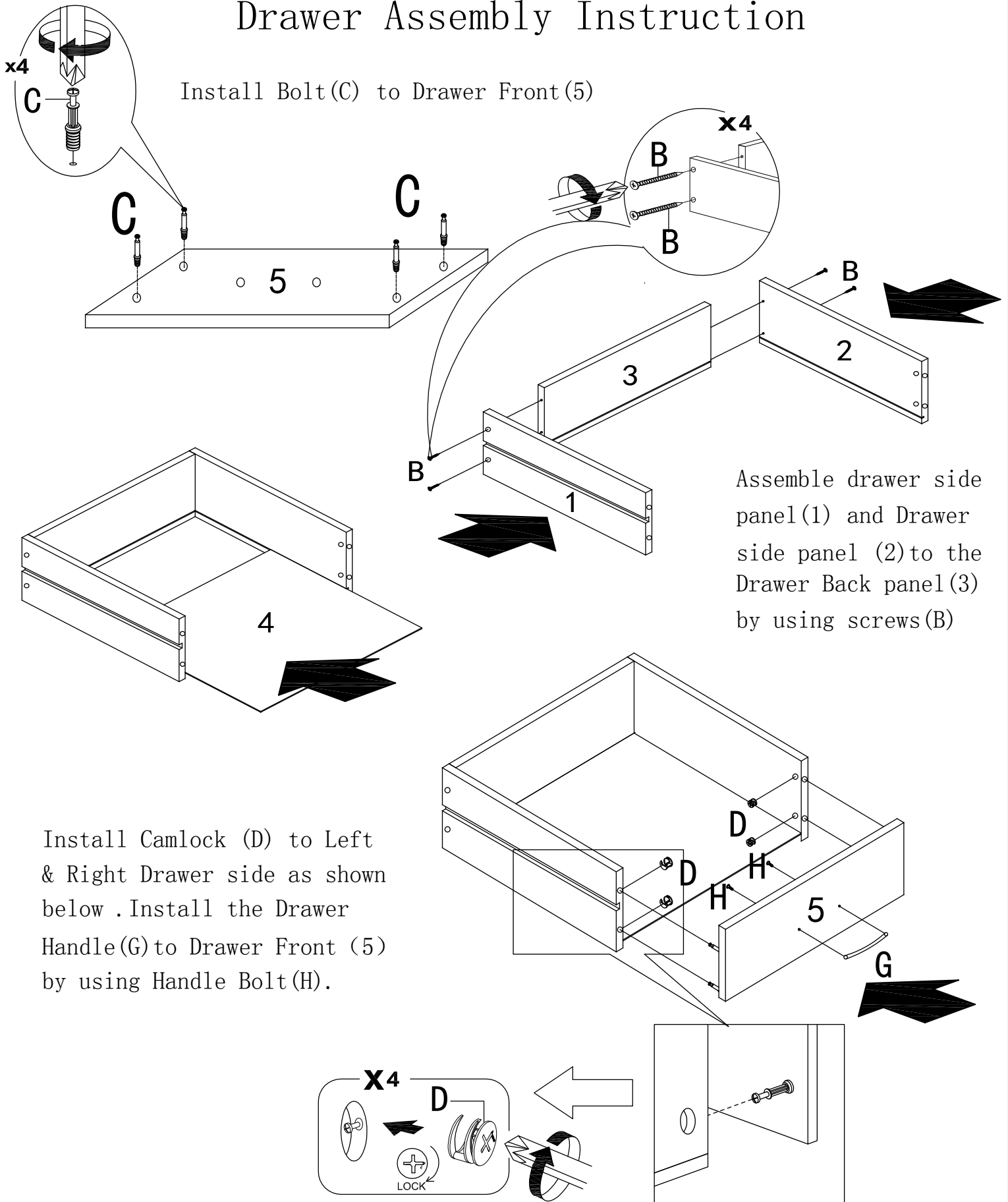
Quickfit head needs to be in centre

QUICKFIT

Tighten until shoulder is flush with panel. Do not overtighten or undertighten (see example below)

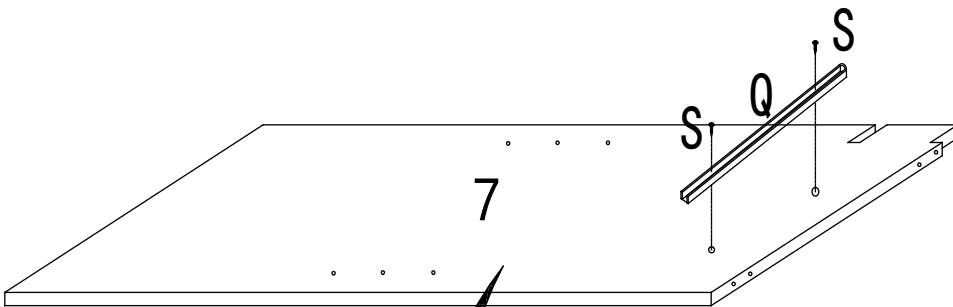
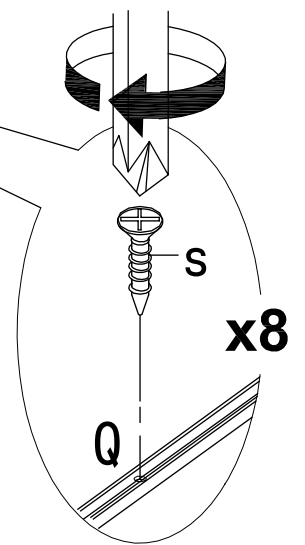
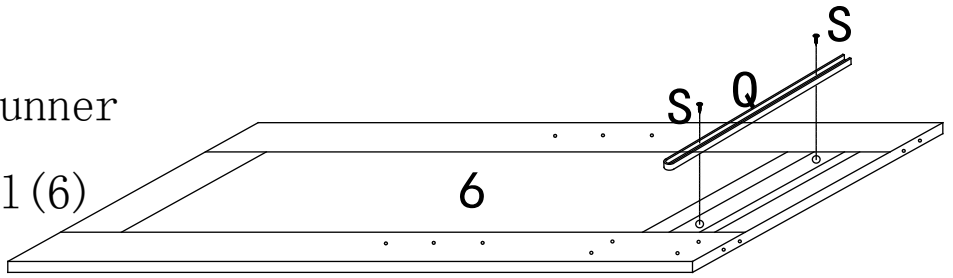


Drawer Assembly Instruction

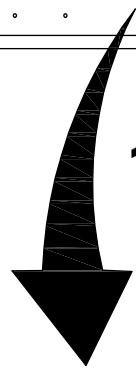


Step: 1

Install the Plastic Runner (Q) to the Right panel (6) and Left panel (8) by using screw (S).

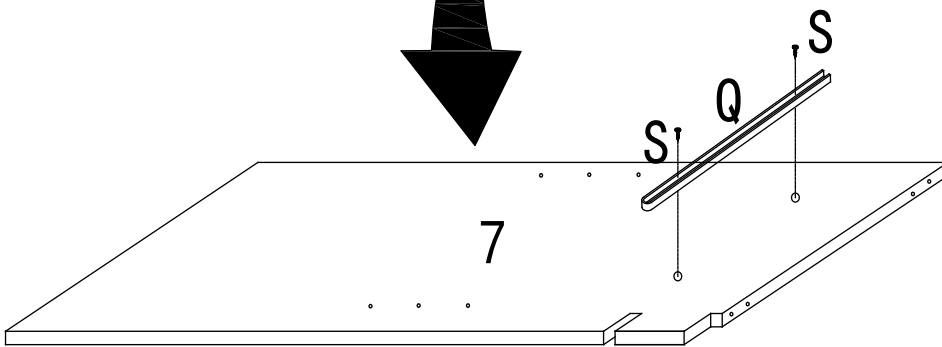
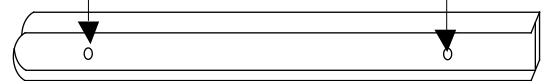


180°



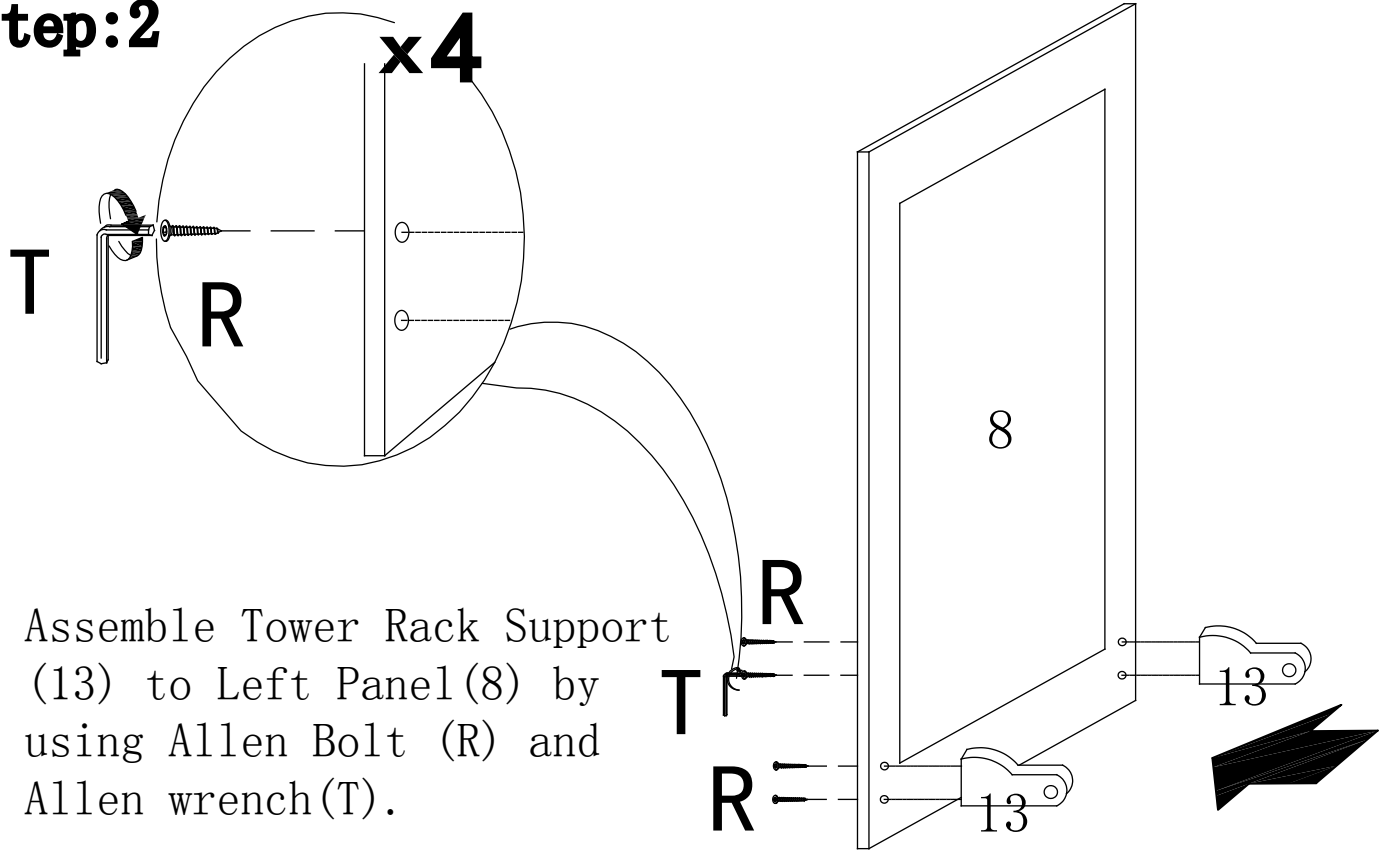
FRONT

BACK



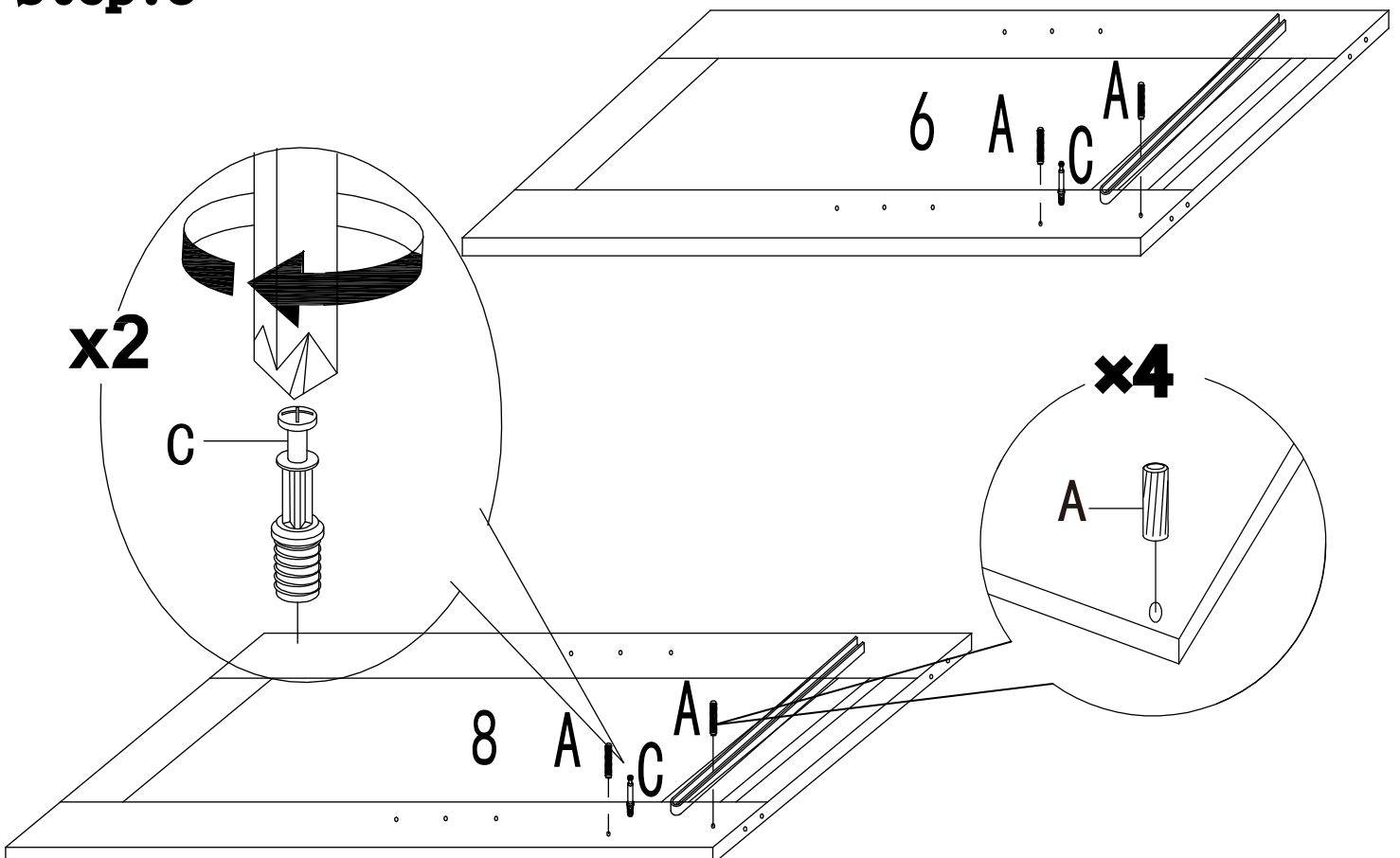
Install the Plastic Runner (Q) to the Middle panel (7) by using screw (S).

Step:2

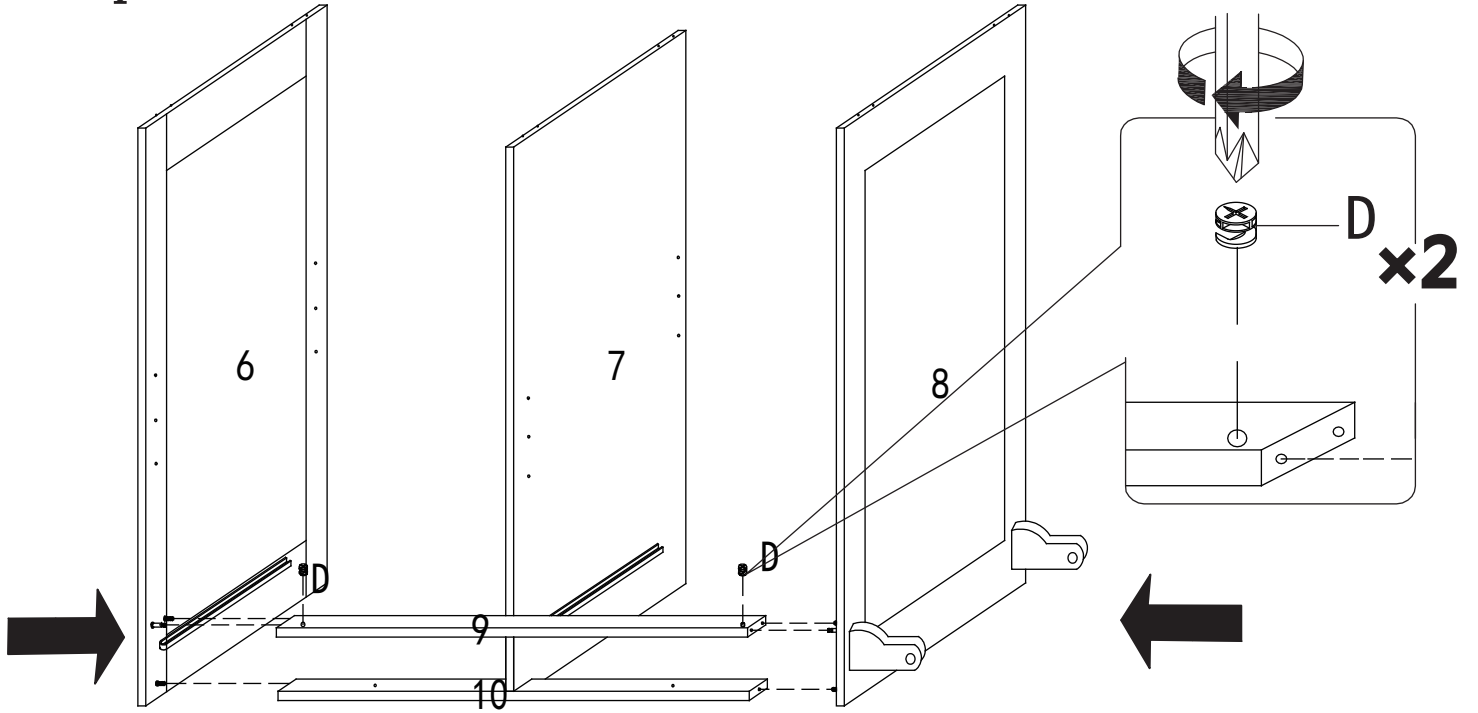


Assemble Tower Rack Support (13) to Left Panel(8) by using Allen Bolt (R) and Allen wrench(T).

Step:3

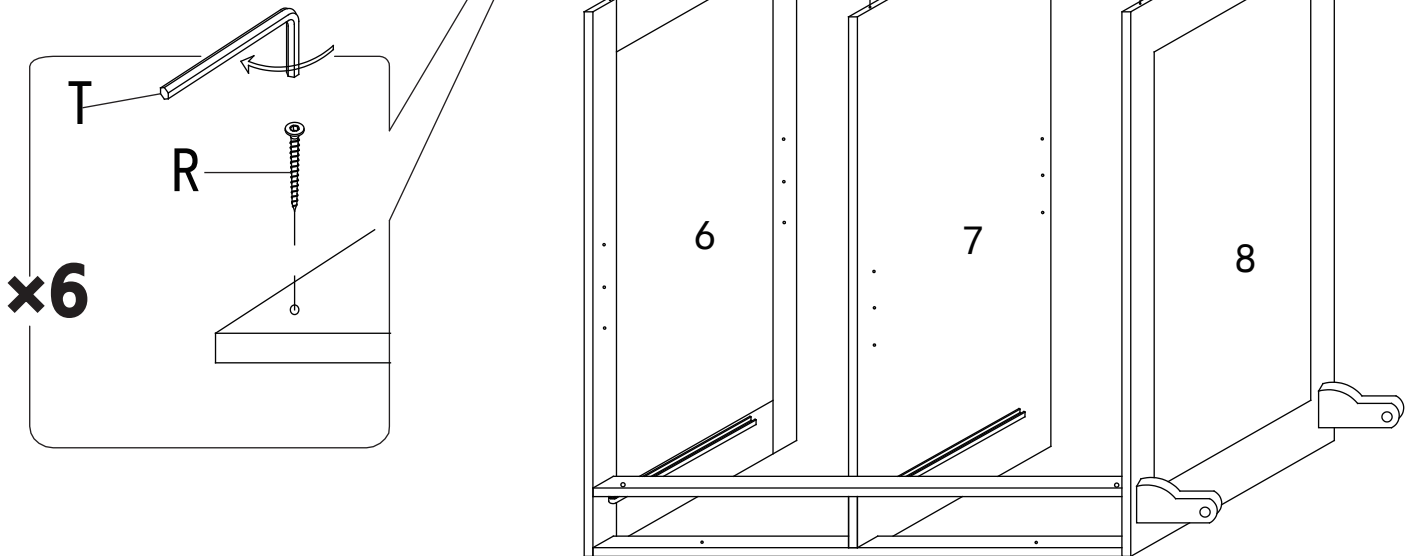


Step: 4

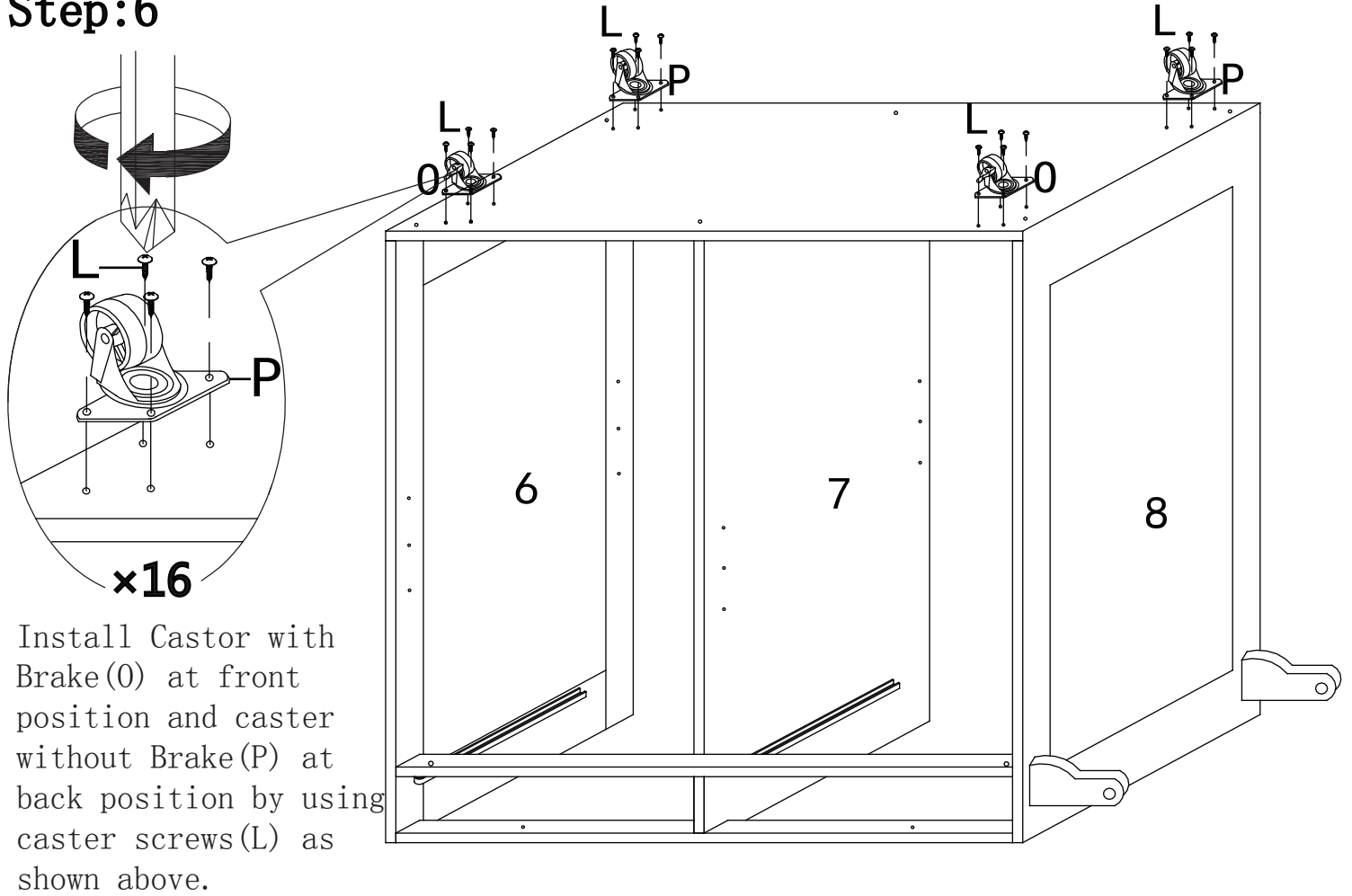


Step: 5

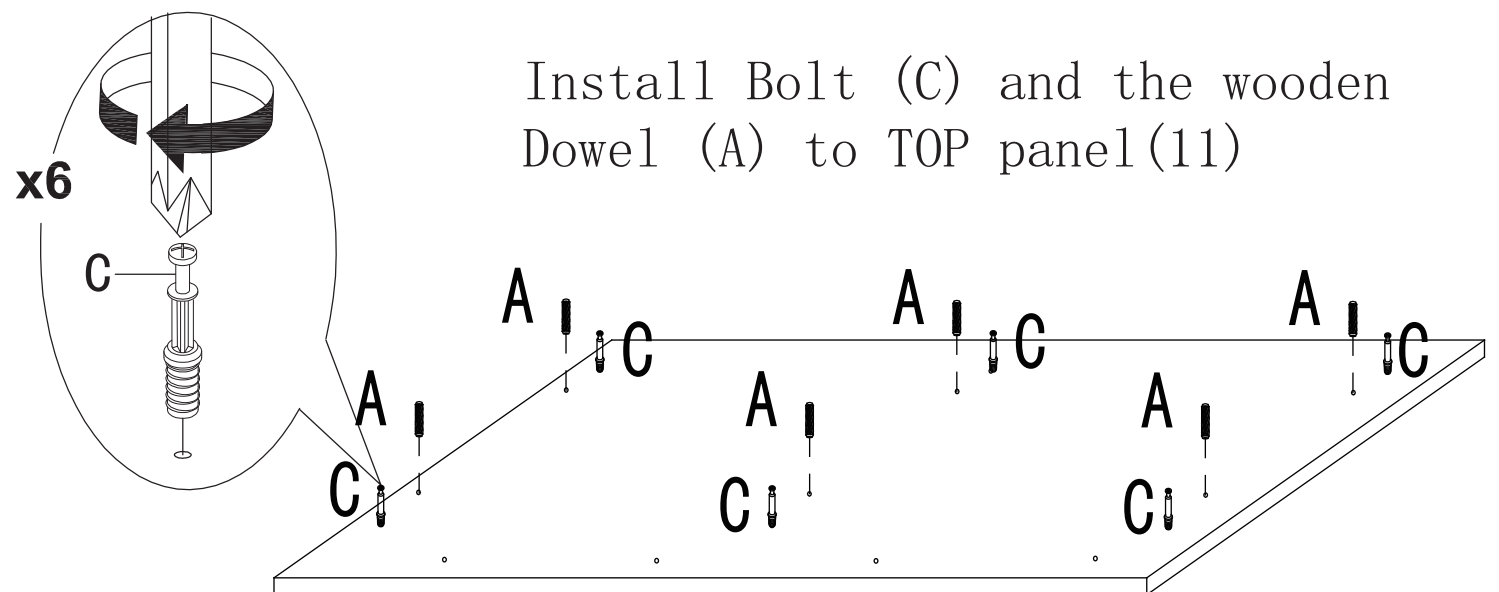
Assemble Bottom Panel (12) by using Allen Bolt (R) as shown.



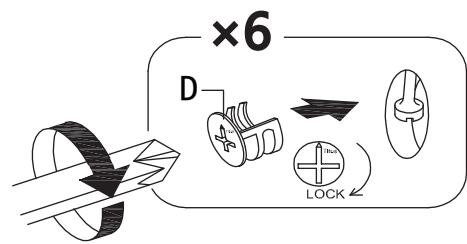
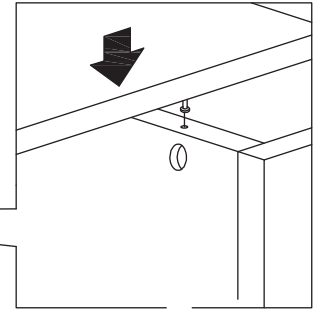
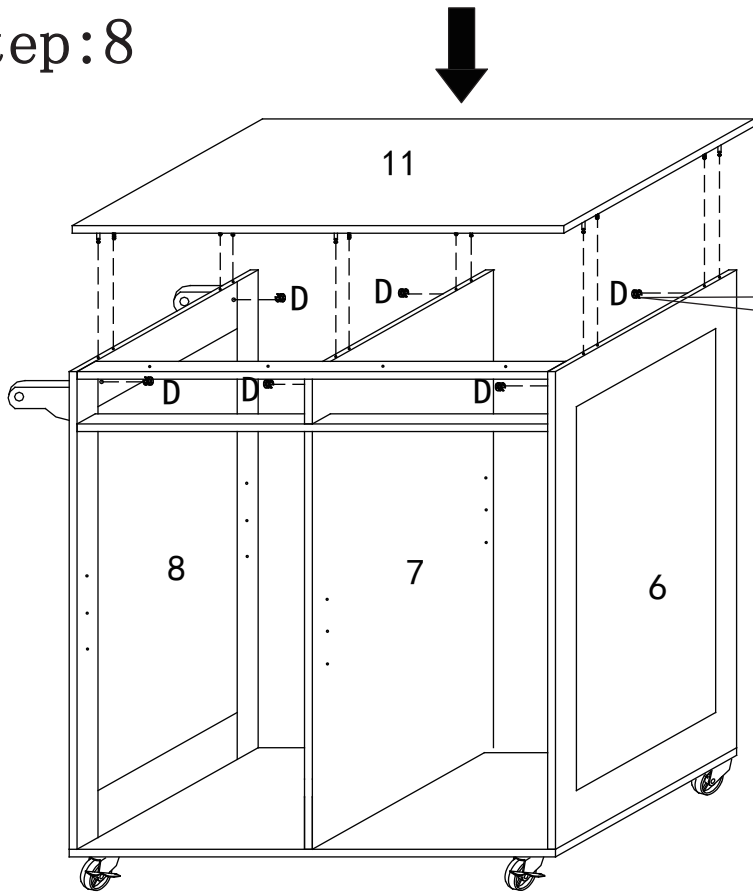
Step:6



Step:8

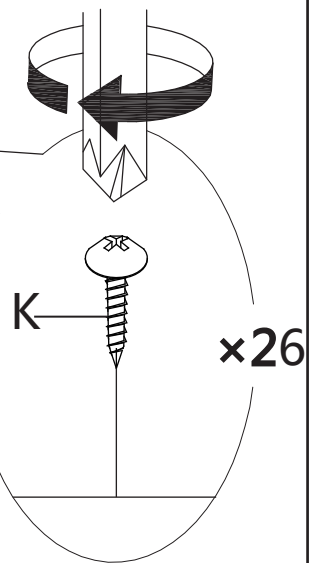
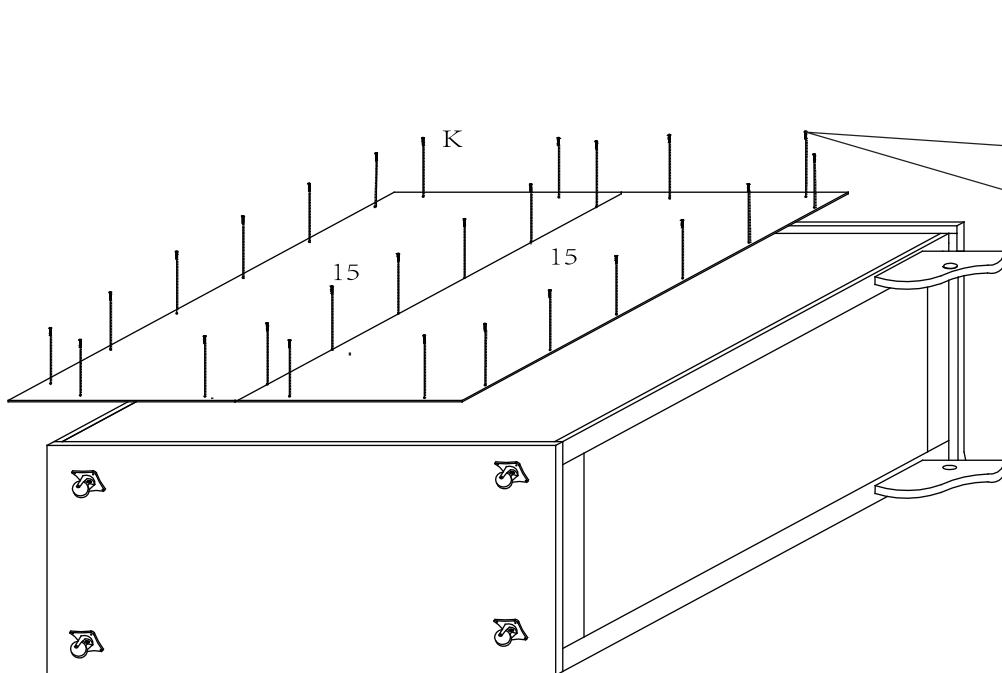


Step:8

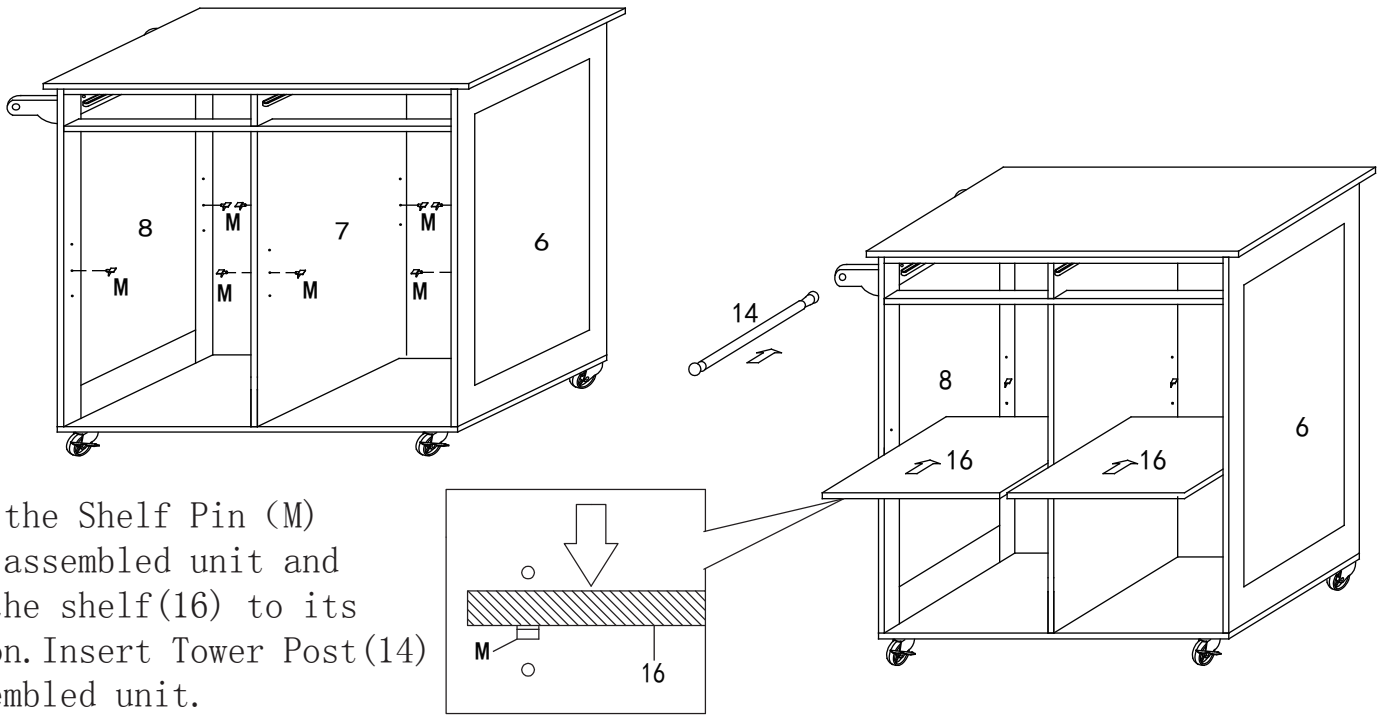


Attach the top panel(11) to the assembled unit by using camlock(D).

Step:9

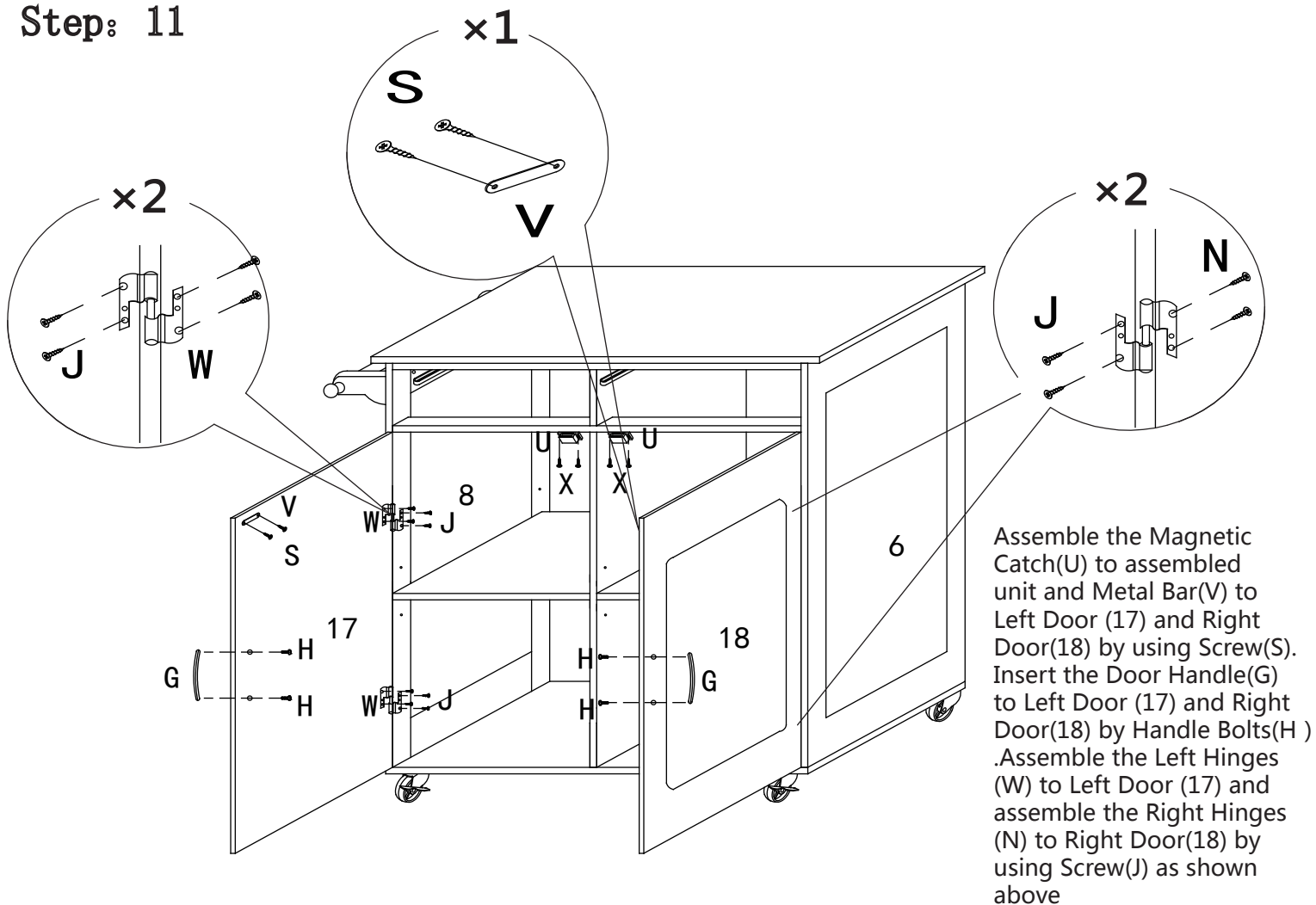


Step:10

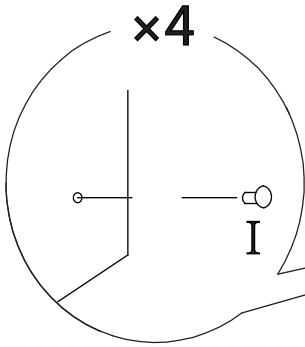


Insert the Shelf Pin (M) to the assembled unit and place the shelf(16) to its position. Insert Tower Post(14) to assembled unit.

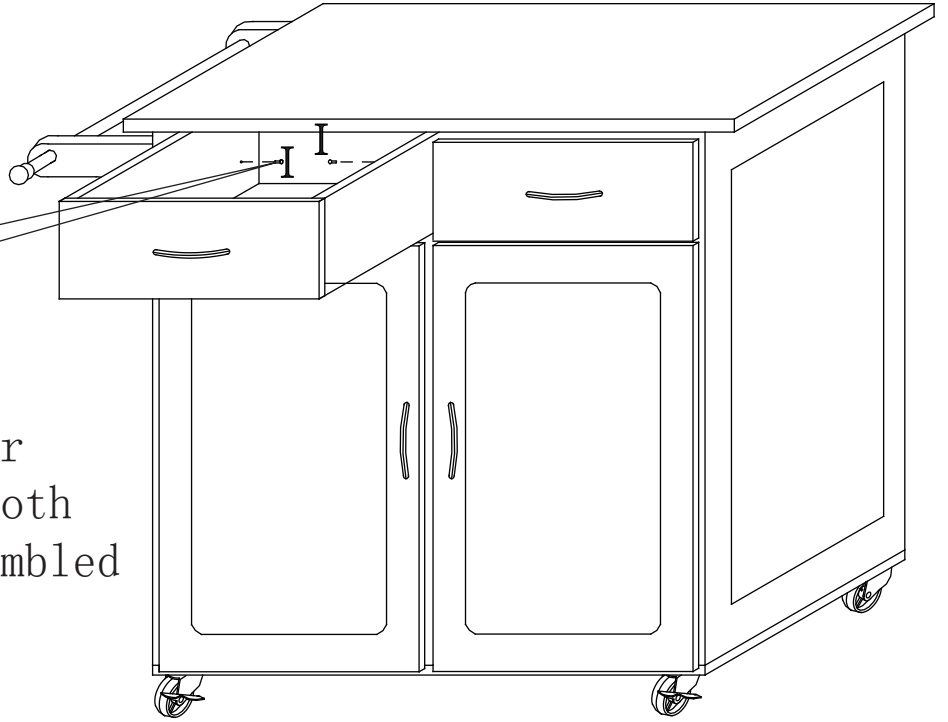
Step: 11



Step:12



Insert the Door stopper (I) while inserting both the drawer to the assembled unit.



Step:13

