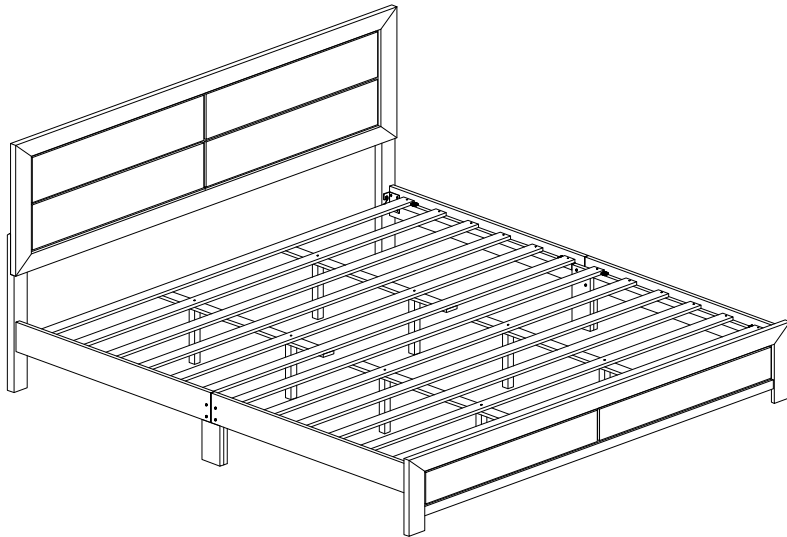


EK BED

Headboard / Footboard / Side Rail



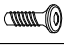

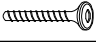
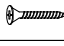

Thank you for purchasing this quality product . Be sure to check all packing material carefully for small parts that may have come loose inside the carton during shipment.

****Do not fully tighten screws until fully assembled****

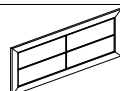

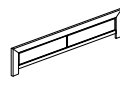

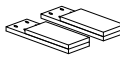

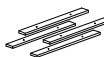
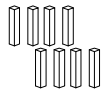


COMPLETE ASSEMBLY

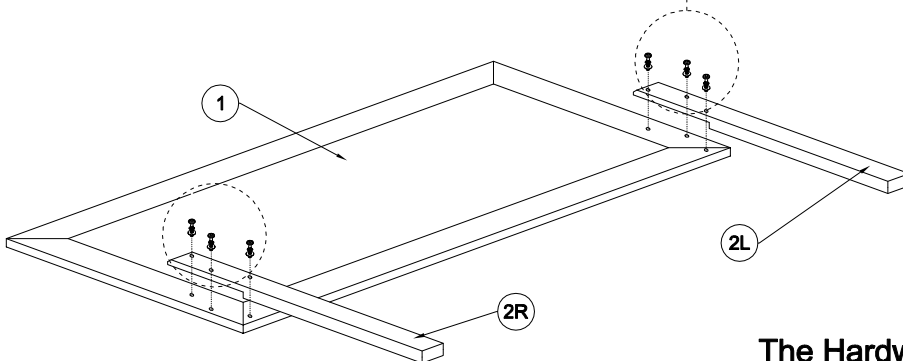
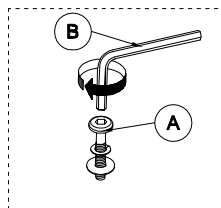
Box of Headboard / Footboard / Rail - Hardware List

NO	DESCRIPTION	QTY
A	 JCBB BOLT M8 x 1.0 x 40 mm	6
B	 ALLEN KEY - M5	1
C	 JCBB BOLT - M8 x 16 mm	8
D	 JCBC BOLT M6 x 1.0 x 40 mm	8
E	 JCBC BOLT - M6 x 50 mm	8
F	 CSK SCREW - M4 x 32 mm	24
G	 ALLEN KEY - M4	1

Box of Headboard / Footboard / Rail

NO	DESCRIPTION	QTY
1	 Headboard	1
2	 Headboard Leg - L & R	2
3	 Footboard	1
4	 Side Rail - L & R	4
5	 Side Rail Support Leg	2
6	 Bed Slat	12
7	 Middle Slat	4
8	 Slat Support	8

STEP 1



The Hardware is Located in the Packing Items.



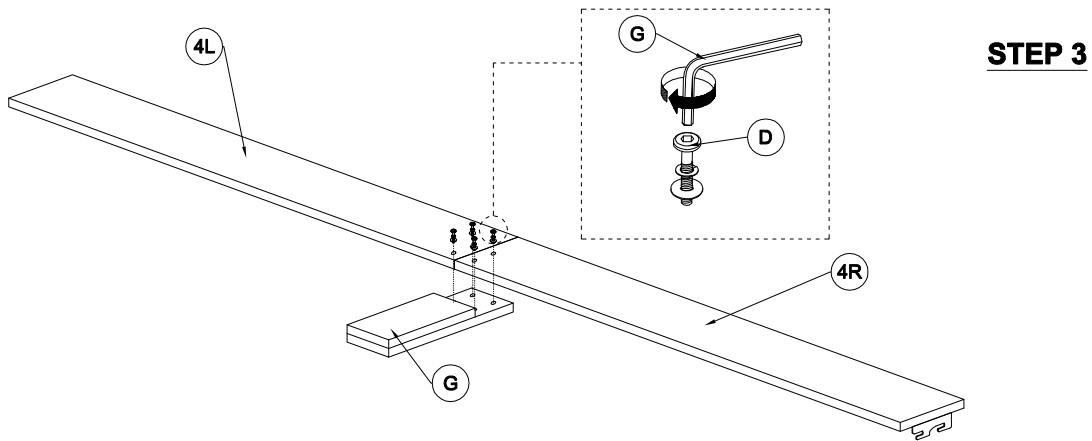
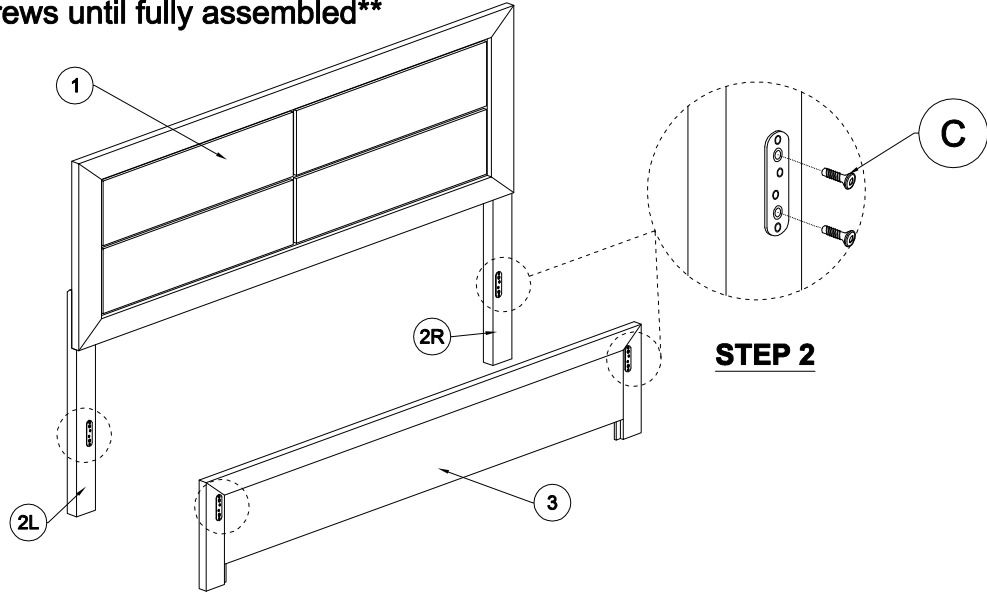
PLACE WOOD PARTS ON A
CLEAN NON-ABRASSIVE SURFACE

EK BED

B9310-K-BED Headboard / Footboard / Side Rail

Thank you for purchasing this quality product . Be sure to check all packing material carefully for small parts that may have come loose inside the carton during shipment.

****Do not fully tighten screws until fully assembled****



STEP 5

