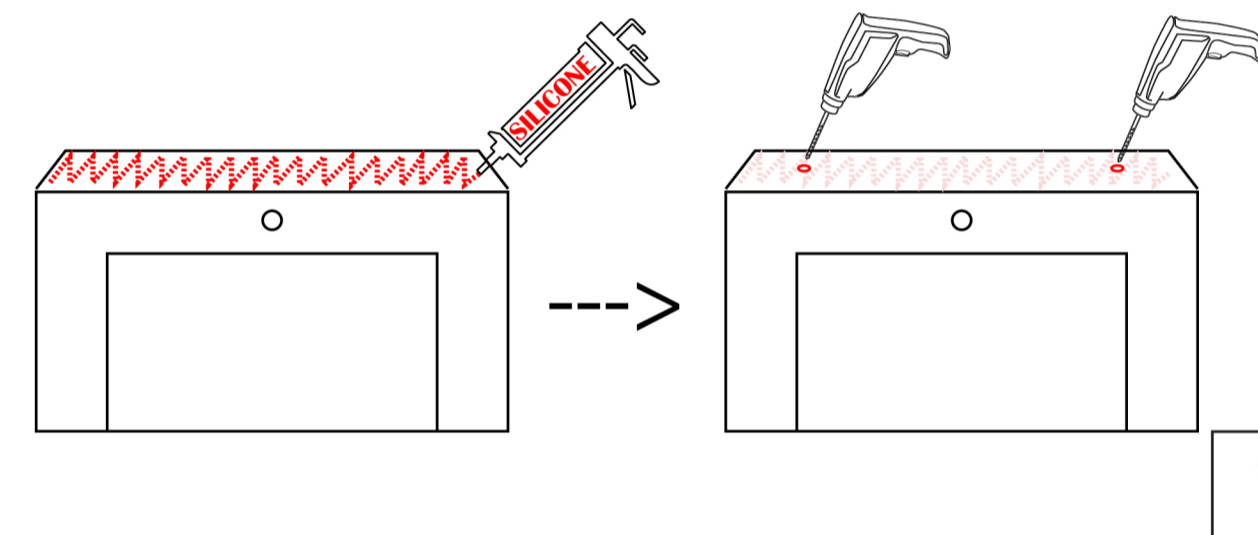


BT017 Vanity Installation Guide

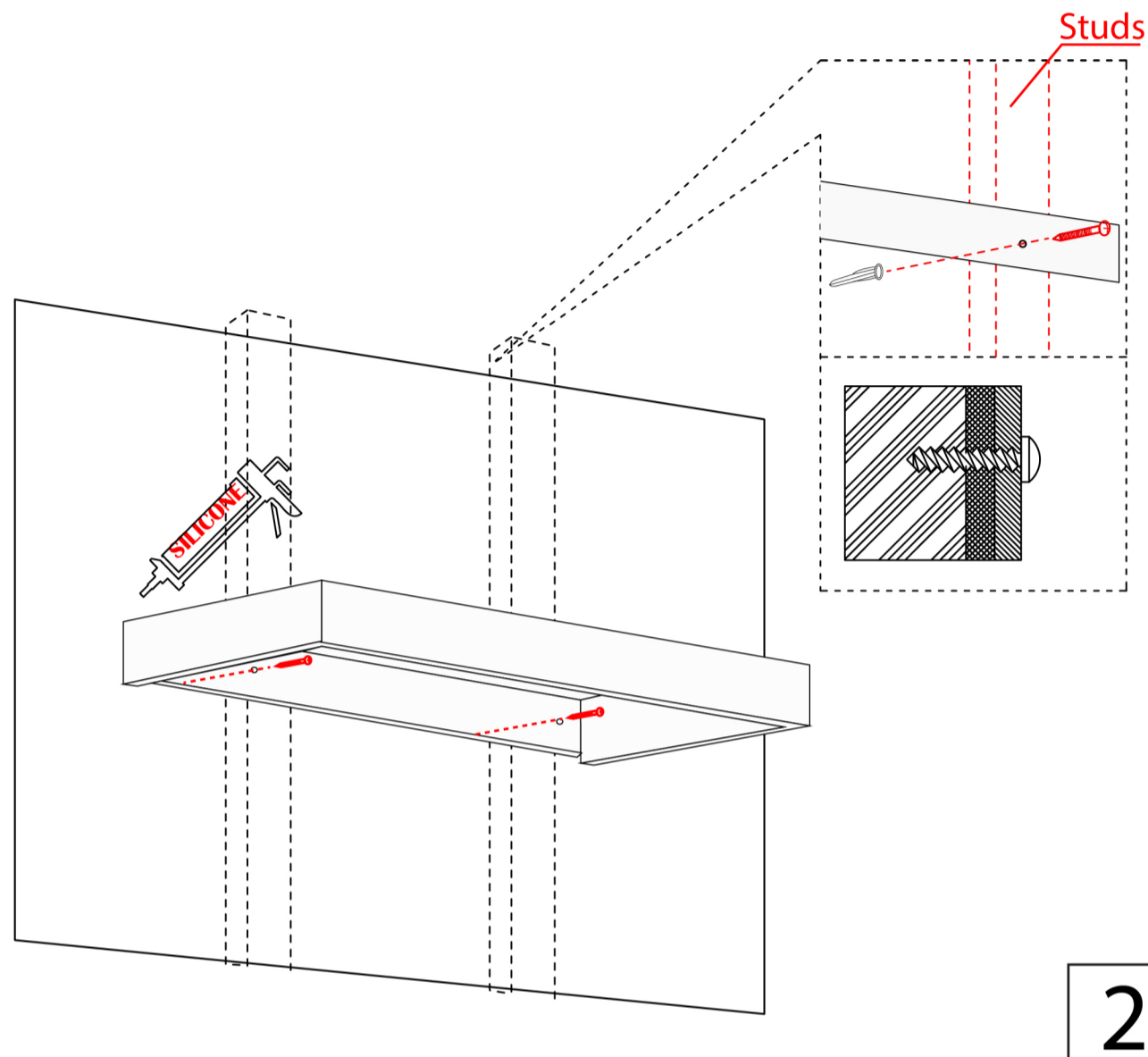


! Make sure to apply the silicone sealant to the back of the sink. Pre-drill two screw holes to make sure the sink is installed safer and more stable on the wall.

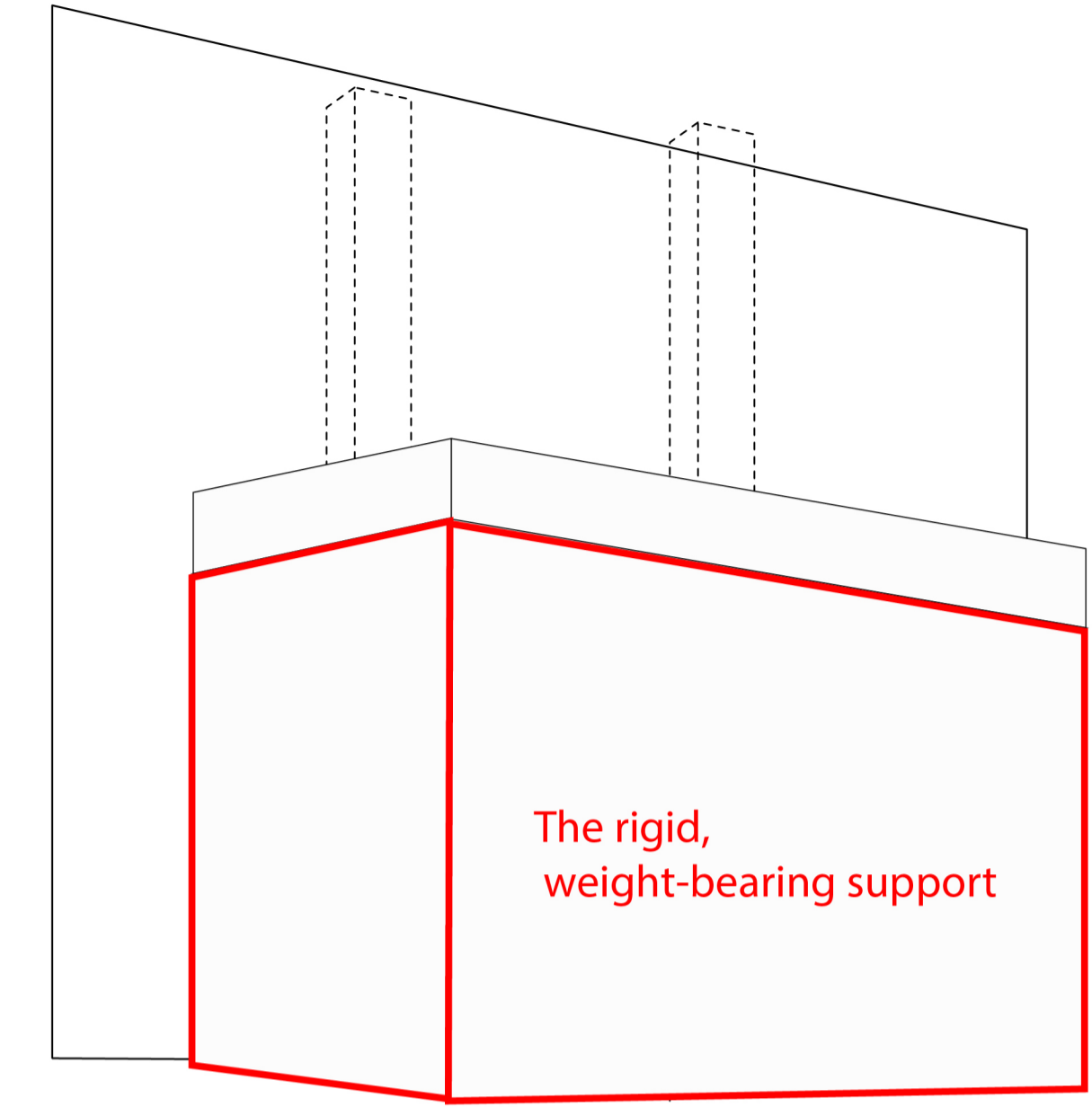


1

! Apply the silicone sealant around your new sink and remove excess sealant. Fasten the sink to the wall with dryscrews which can make your sink safer and more stable.



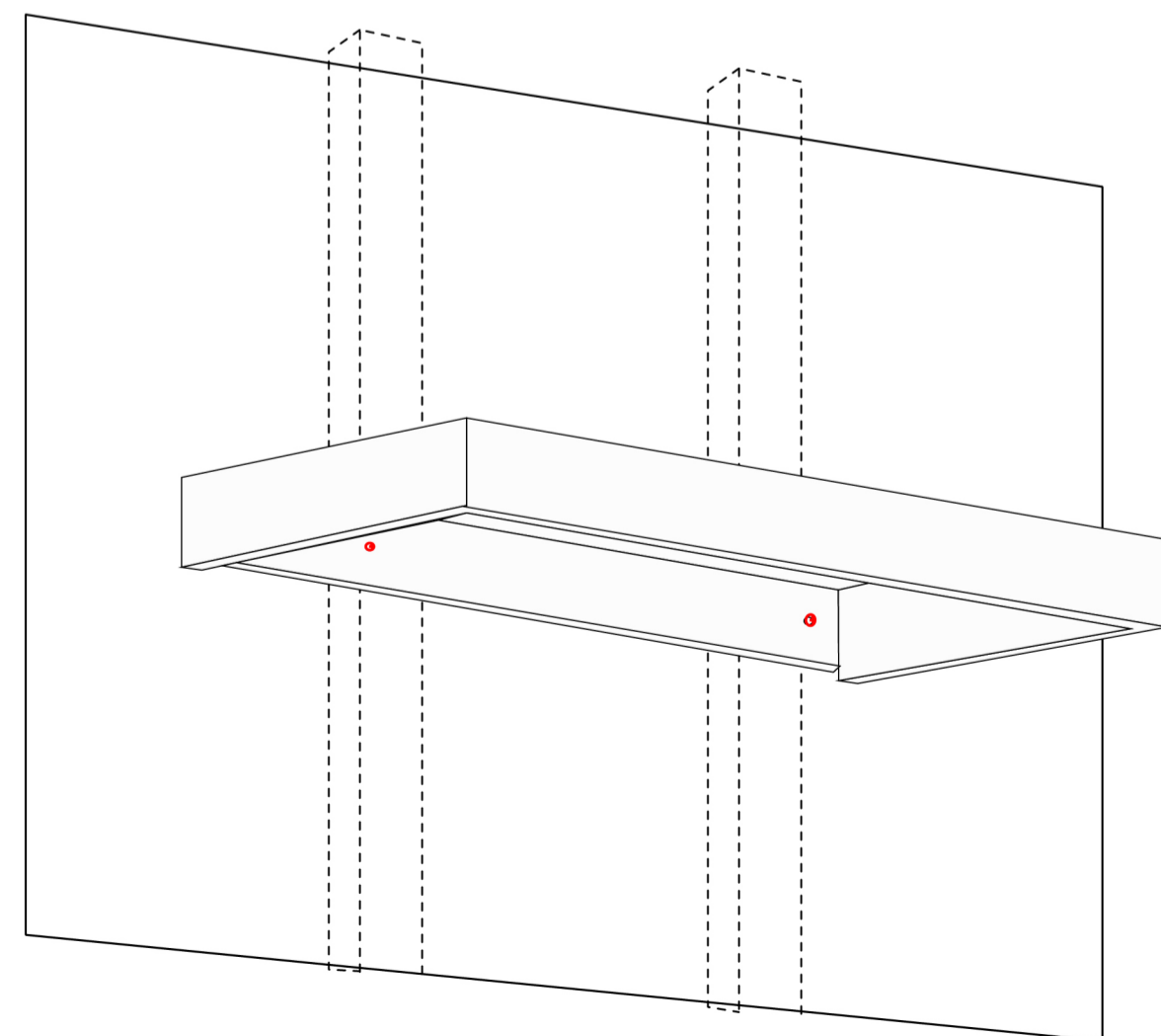
2



! Place a rigid, weight-bearing support under the sink, keep it in place for at least 12 hours, and then remove it.

3

Completed!



4

WALL CABINET INSTALLATION

STEP 1: SELECT HARDWARE THAT IS BEST SUITED FOR YOUR WALL TYPE
 IMPORTANT: USE "PAN HEAD" OR "ROUND HEAD" SCREWS WITH SEAT WASHERS. SEAT SCREWS TIGHTLY AGAINST BACK RAIL OR PANEL WITHOUT DRIVING INTO BACK RAIL OR PANEL MATERIAL.

PASO 1: INSTALACION DE GABINETES, SELECCIONE LA HERRAJERIA QUE MAS SE ADECUA AL TIPO DE SU PAHED.

IMPORTANTE: USA TORNILLOS DE "CABEZA PLANA BISELADA" O "CABEZA REDONDA" CON ARANDELAS DE ASENTO. COLOCA LOS TORNILLOS FIRMEMENTE CONTRA EL PANEL O EL RIEL TRASERO SIN INSERTARLOS EN EL PANEL O EL RIEL

STUDS: Secure to wall with #10 x 3" screws at stud location. Locate at least 2 wall studs

Use at least 4 wall anchors when installing a 24" and 30" cabinet. Use at least 6 wall anchors when installing a 36" and 48" cabinet.

MONTANTES: Fjelo a la pared con tornillos de # 10 x 3 pulgadas en los montantes.

CONCRETE: Drill 1/4" holes, insert #10 wall anchors and secure to wall with #10 x3" screws.

CONCRETO: Taladre orificios de 1/4 pulgada, inserte anclas de expansión de #10 y fijelo a la pared con tornillos de # 10 x 3 pulgadas.

DRYWALL: Drill holes and secure to the wall with toggle bolts. Note: Use toggle bolts only when cabinet cannot be attached to a wall stud.

PANEL DE YESO: Taladre los orificios y fije la unidad a la pared con pernos acodillados. Nota: Use pernos acodillados sólo cuando el gabinete no se pueda fijar a los montantes de pared.