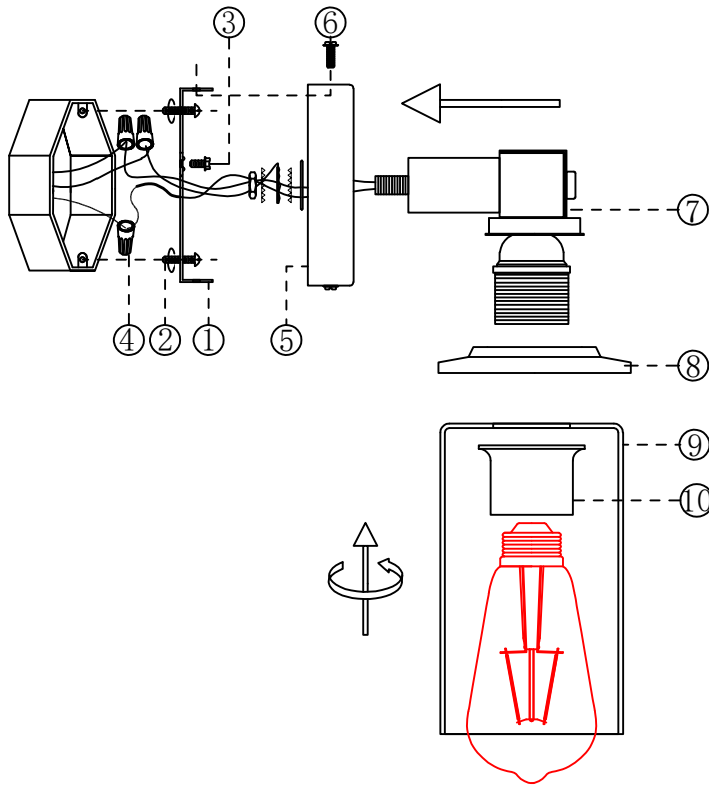
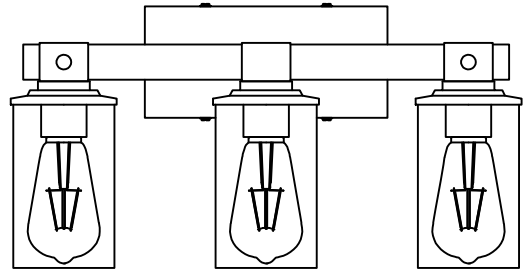


# Installation Instruction



## Finished Product



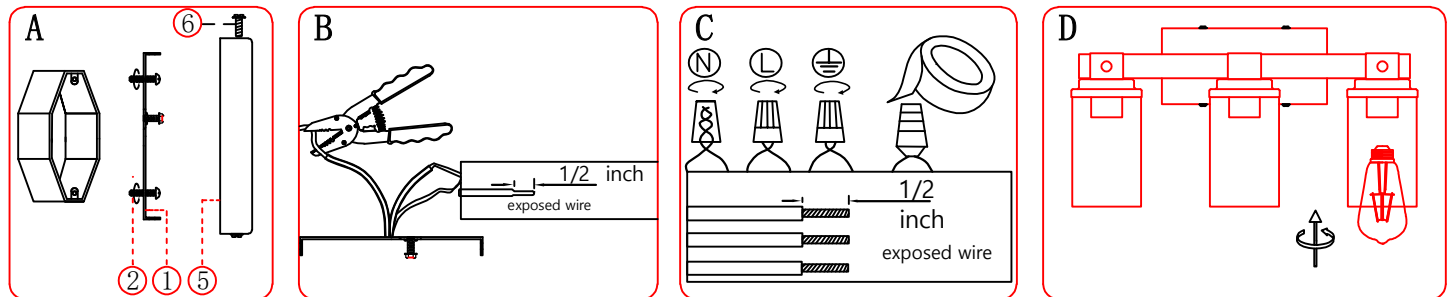
## Vanity Light Diagram

- ① Hanging board x1
- ② Mounting screws x2
- ③ Green ground screw x1
- ④ Threaded nipple x3
- ⑤ Rectangular box x1
- ⑥ Flat screw x4
- ⑦ Light stand x1
- ⑧ Glass lampshade holder x3
- ⑨ Glass lampshade x3
- ⑩ Plastic ring x3

## Installation Diagram

Fasten the lamp holder (7) on the rectangular box (5). Then put the glass lampshade holder (8) and the glass lampshade (9) on the lamp holder (7), and then tighten with the plastic ring (10).

## Perform wire installation

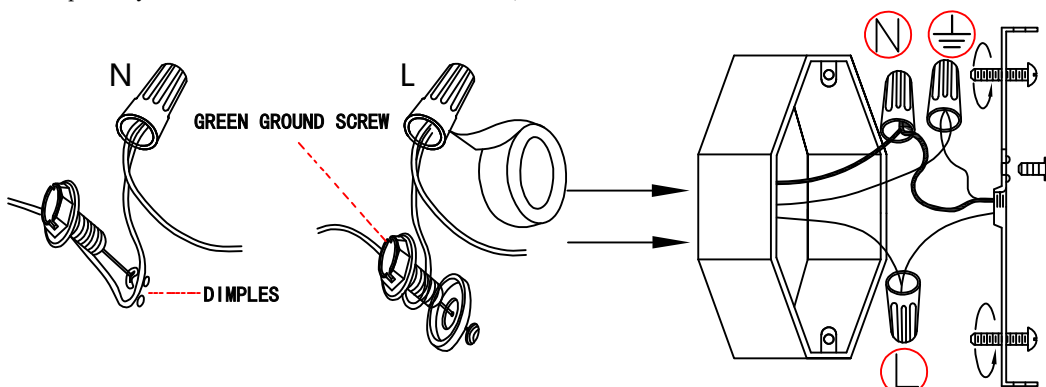


**Step A:** Remove the flat head screw (6) from the rectangular box (5). Attach the hanging plate (1) to the outlet box with the mounting screws (2). The side marked "GND" must face outwards.

**Step B:** If you need to cut off the excess wire length, measure the length of the remaining wire from the top of the eight hanging board (1) to be at least 6".

**Step C:** Please connect the wires according to the chart shown as below: Pay attention to the color of the wires (positive and negative N, L), do not connect the wires to the ground wire

**Step D:** Install the bulb (not included) (Please do not exceed the maximum capacity recommended on the socket.)



## ⚠ SPECIAL WARNINGS!!

1. In order to reduce the risk of fire, electric shock, or injury to persons, we suggest that the installation carried out by a licensed electrician. Before installation, please make sure your ceiling and wall can stand the weight of the light.
2. Please make sure that the power is cutting off before you start to installation. Operating platform should keep clean, dry and flat.
3. The voltage of our light is for 110-120V. The max watt of each bulbs is 60W.
4. Keep the lamp away from acidic and basyious objects to prevent damaging the surface of the lamp. You should be turn off or unplug the lamp before you replace it.