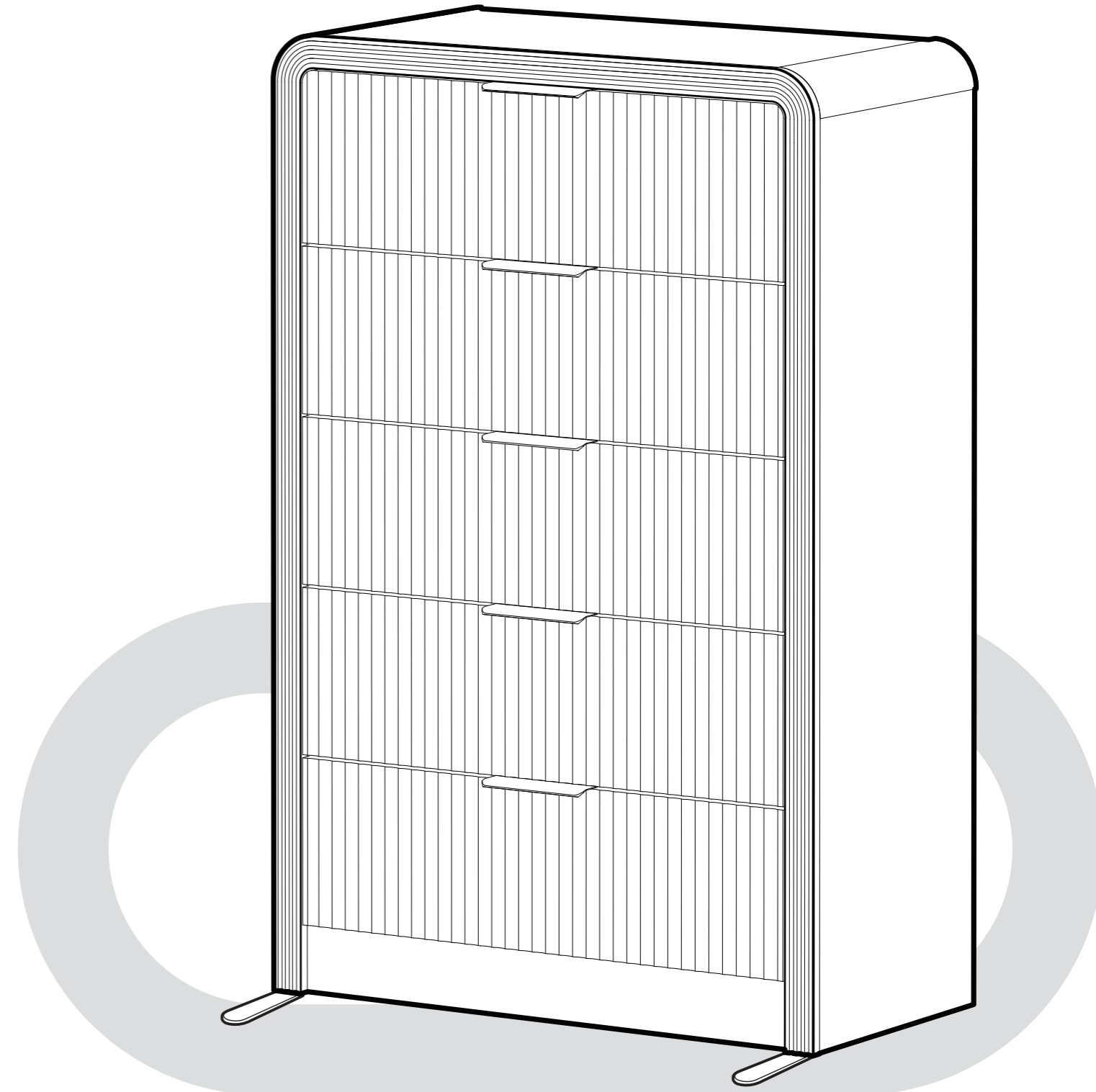


Get in Touch?

✉ support@bsservicehome.com

Manufacturer: Shenzhen Guiyang Network Technology Co., Ltd
Address: 1404K3, East Block, Shengtang Commercial Building, Futian District, Shenzhen, China
Made in China Rev_1.2_EN

ASSEMBLY INSTRUCTIONS



24/7
Service

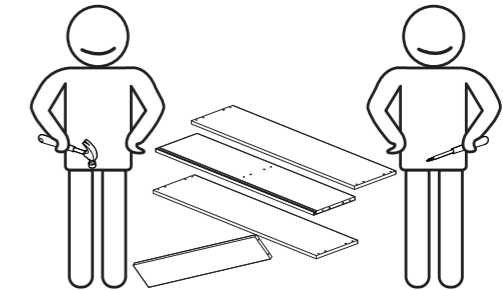
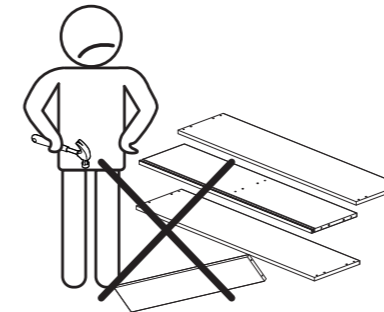
Any other questions, contact us via **email: support@bsservicehome.com** We provide 24/7 online service with dedicated one-on-one expert support for all your inquiries.



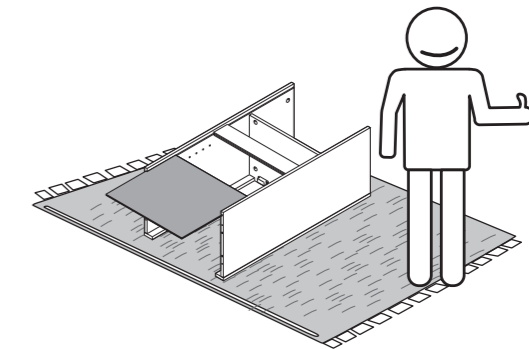
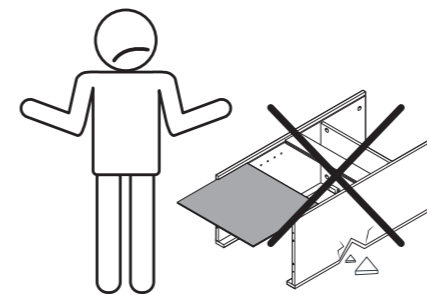
WARNING

Children have died from furniture tipover. To reduce the risk of furniture tipover:

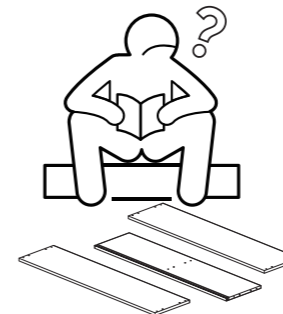
- ALWAYS install tipover restraint provided.
- NEVER put a TV on this product.
- NEVER allow children to stand, climb or hang on drawers, doors, or shelves.
- NEVER open more than one drawer at a time.
- Place heaviest items in the lowest drawer.



We recommend at least 2 people for the assembly.



To prevent any damage during assembly, place a mat under the pieces.



support@bsservicehome.com

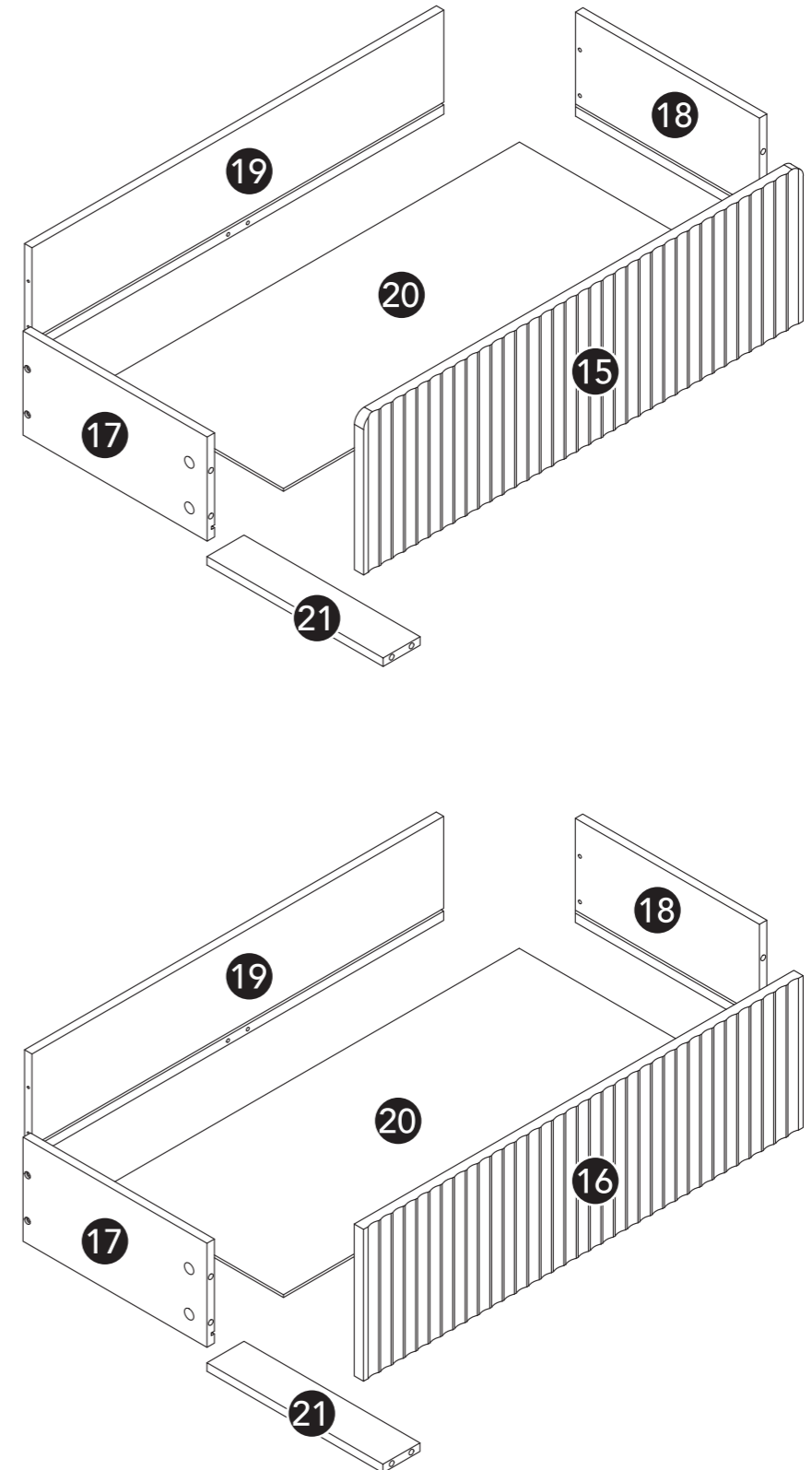
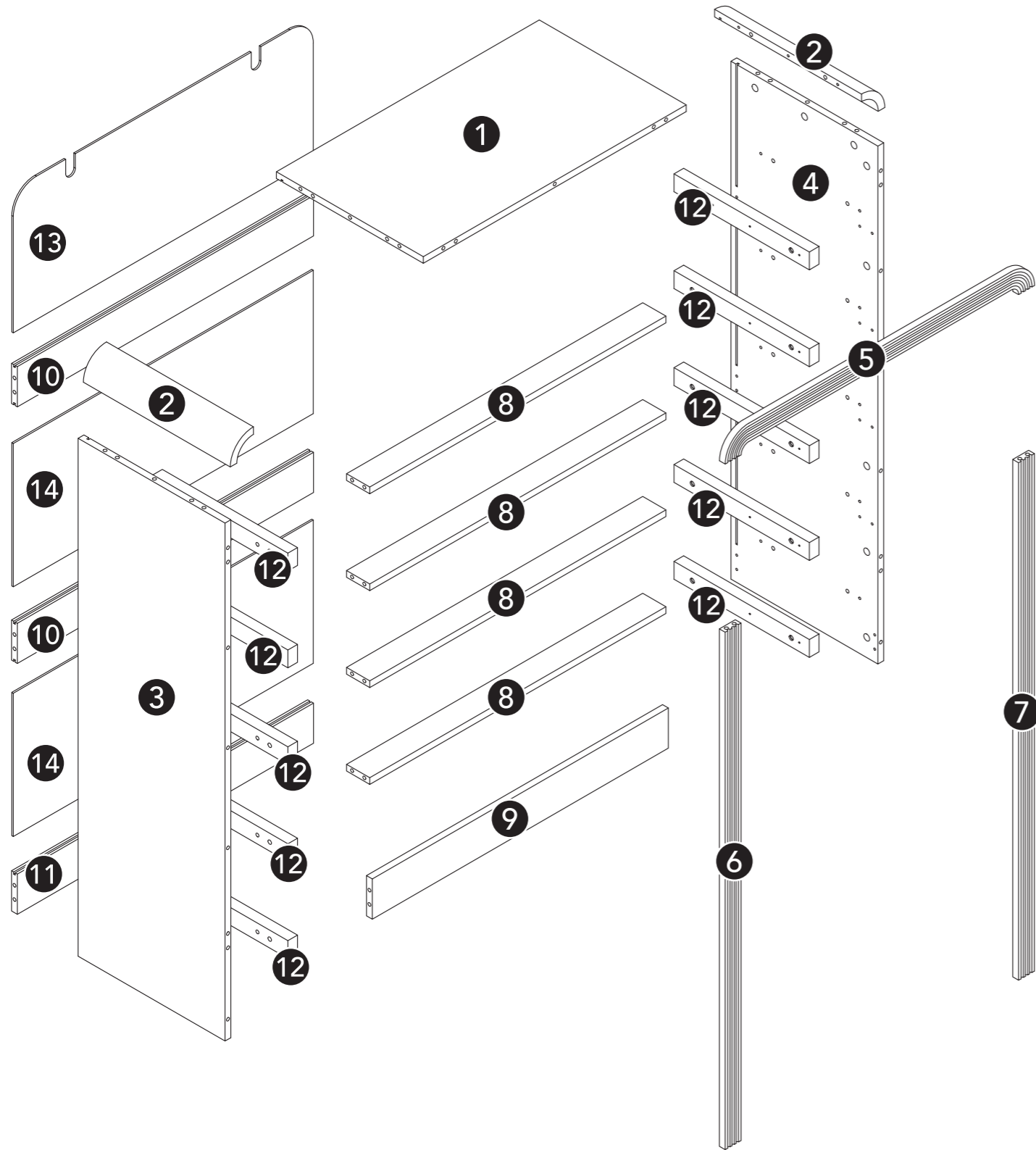


**Any questions concerning assembly, contact us
via email: support@bsservicehome.com**

PARTS DIAGRAM



Check if all parts and hardwares are included. Contact us via email: support@bsservicehome.com if there is any part missing or damaged.



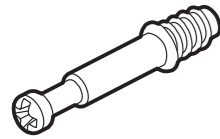
x 4

HARDWARES

SPARE PARTS



The spare parts are the additional parts provided in case of missing or damaged ones. Keep the spare parts and tools for future use.



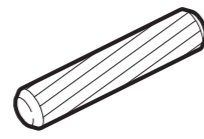
M6x35mm

A x 91



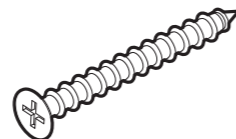
M15x10mm

B x 91



Ø8x30mm

C x 36



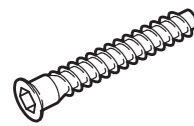
M4x35mm

D x 38



M3x12mm

E x 70

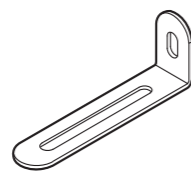


M7x30mm

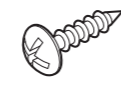
F x 20



G x 12

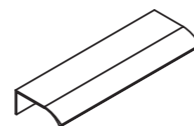


H x 2

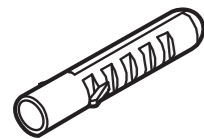


M4x12mm

I x 2



J x 5

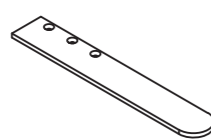


K x 2

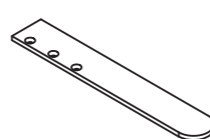


Ø20mm

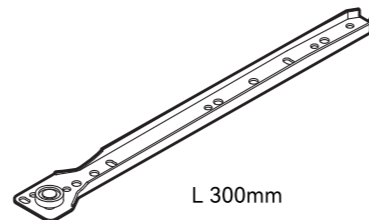
L x 91



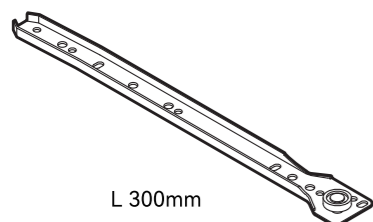
M x 1



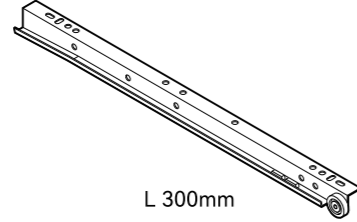
N x 1



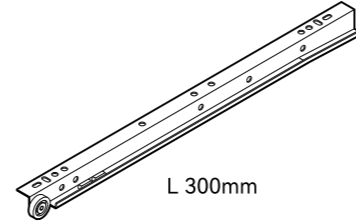
L 300mm
CL x 5



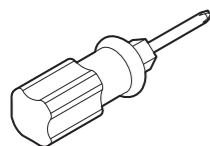
L 300mm
CR x 5



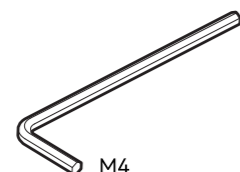
L 300mm
DL x 5



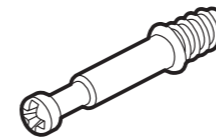
L 300mm
DR x 5



x 1



M4
x 1



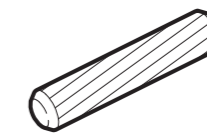
M6x35mm

A x 3



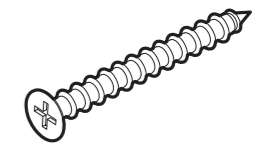
M15x10mm

B x 3



Ø8x30mm

C x 3



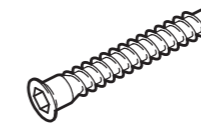
M4x35mm

D x 3



M3x12mm

E x 3



M7x30mm

F x 3



G x 2




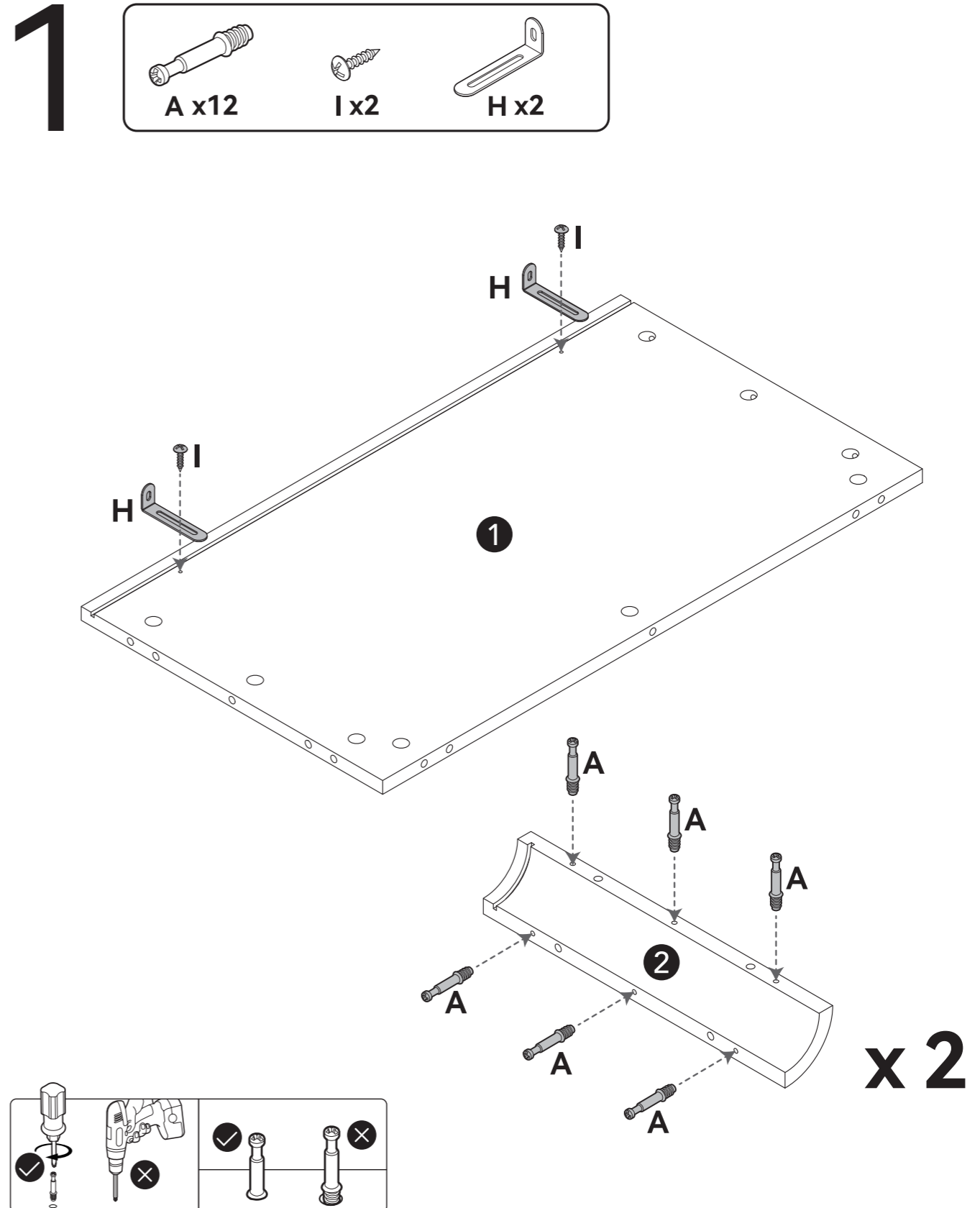
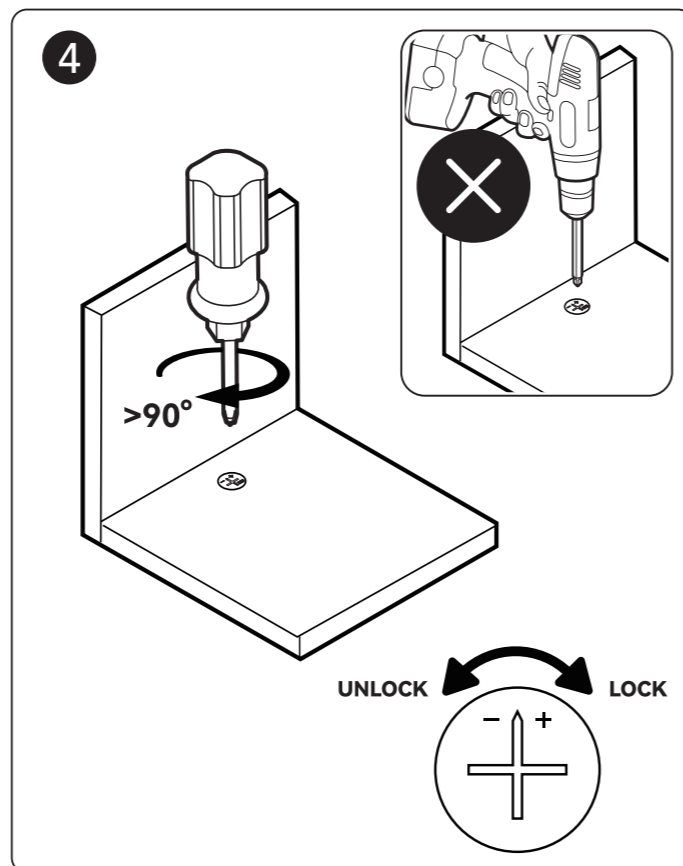
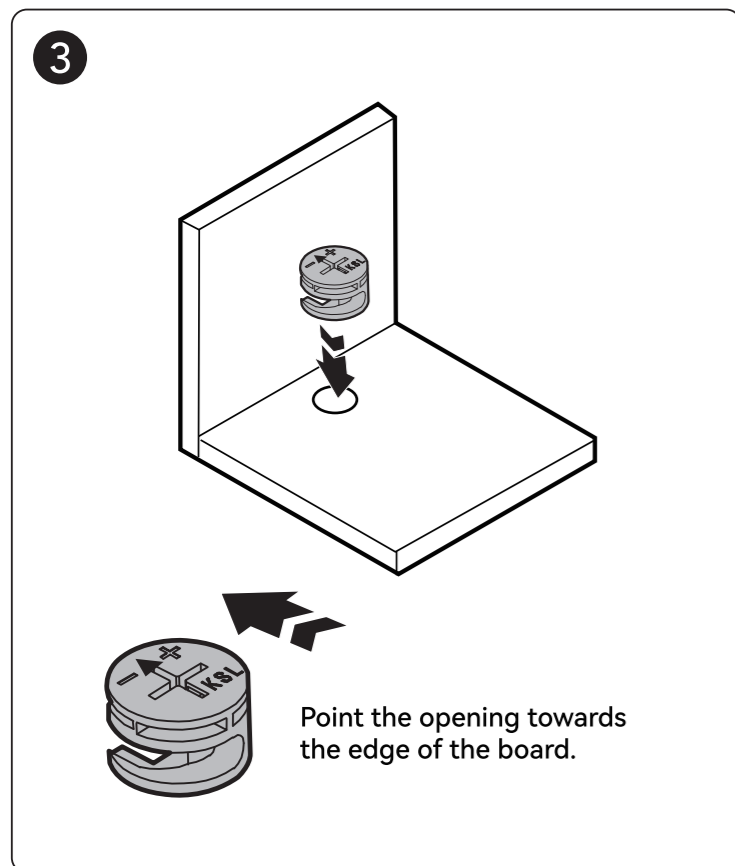
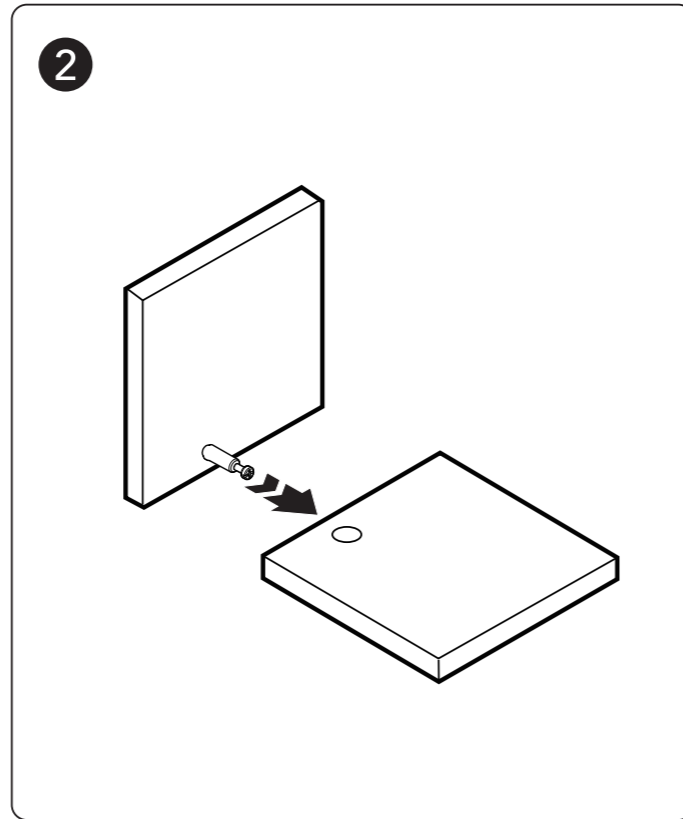
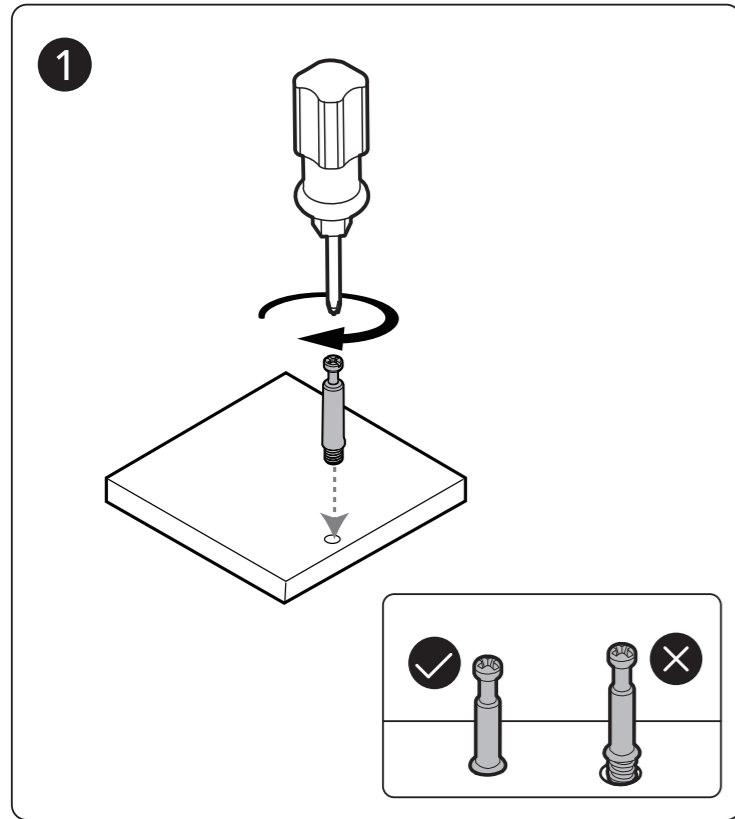
Ø20mm

L x 3

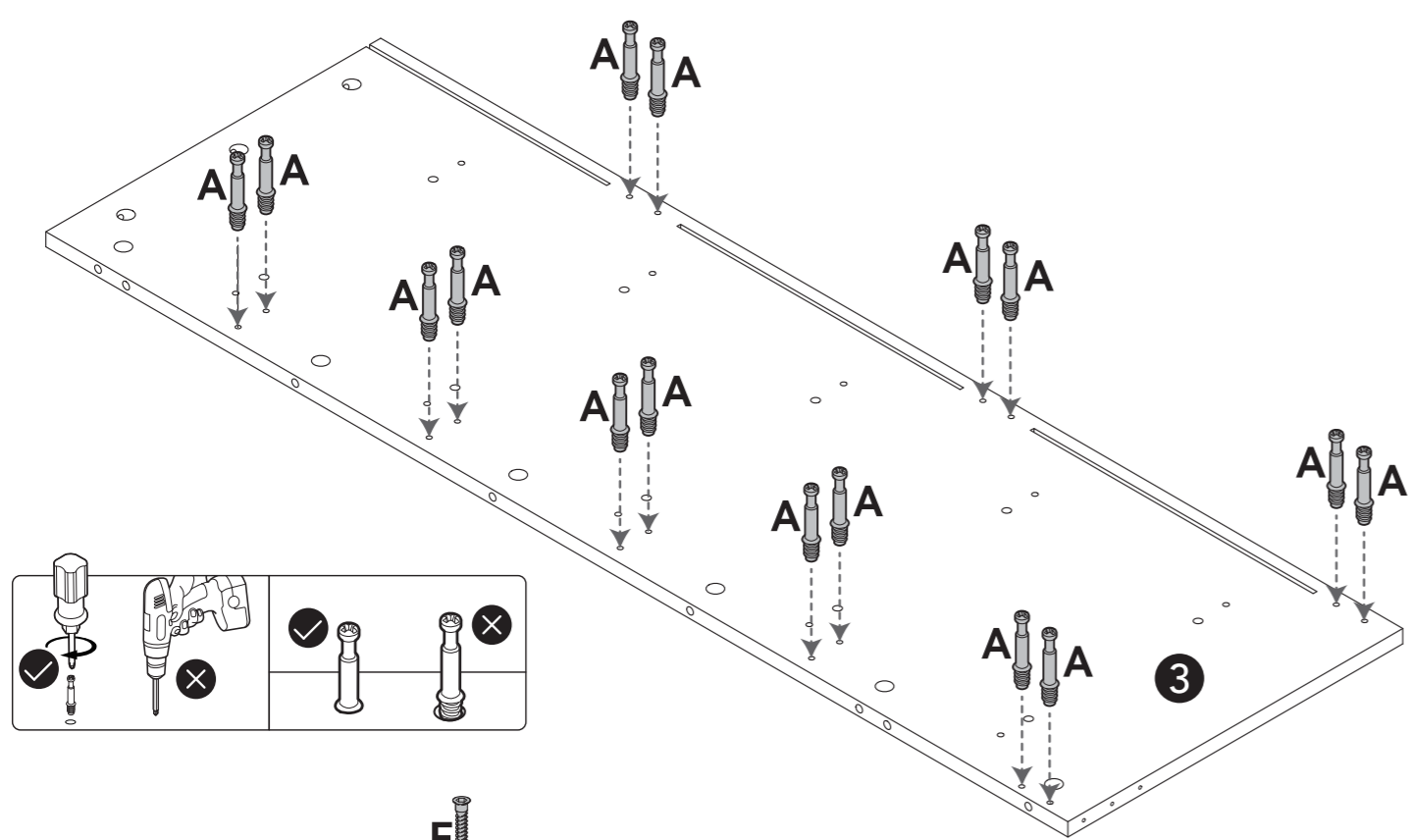
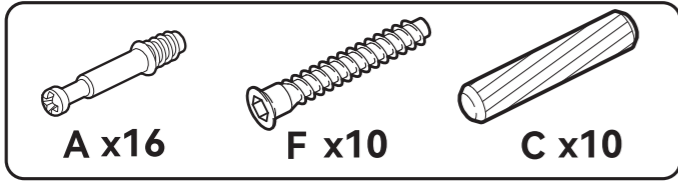
CAM LOCK FASTEN SYSTEM

ASSEMBLY

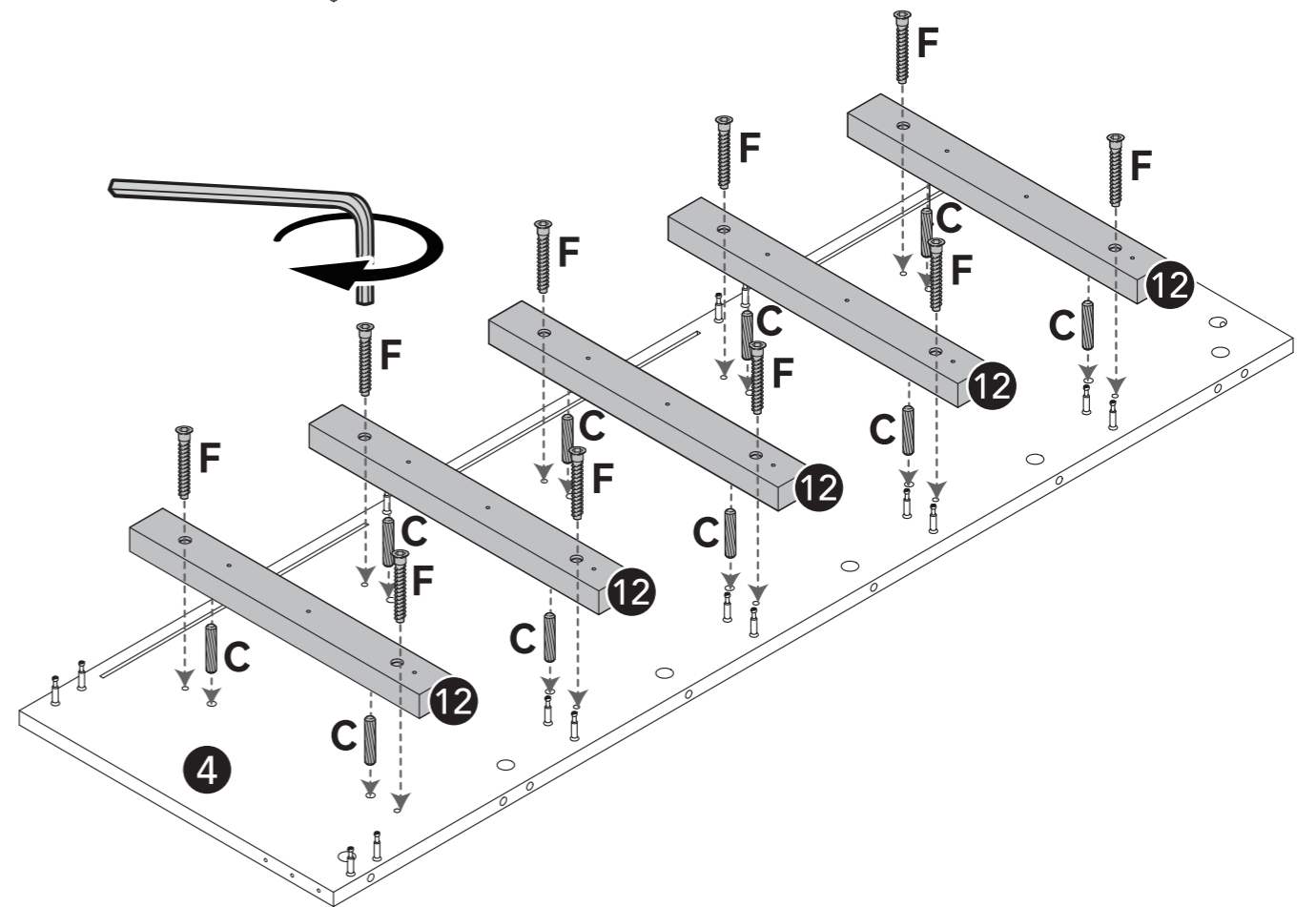
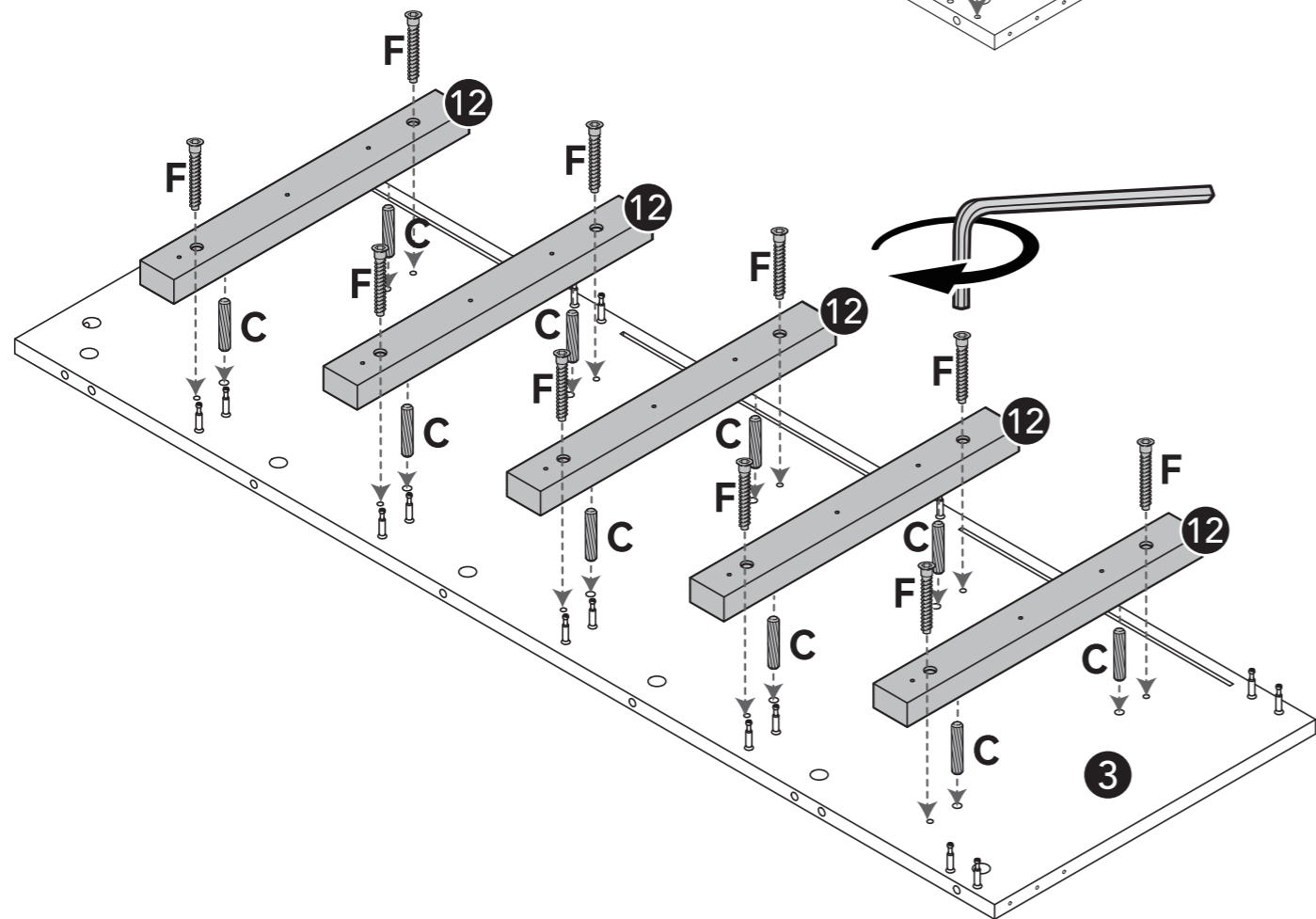
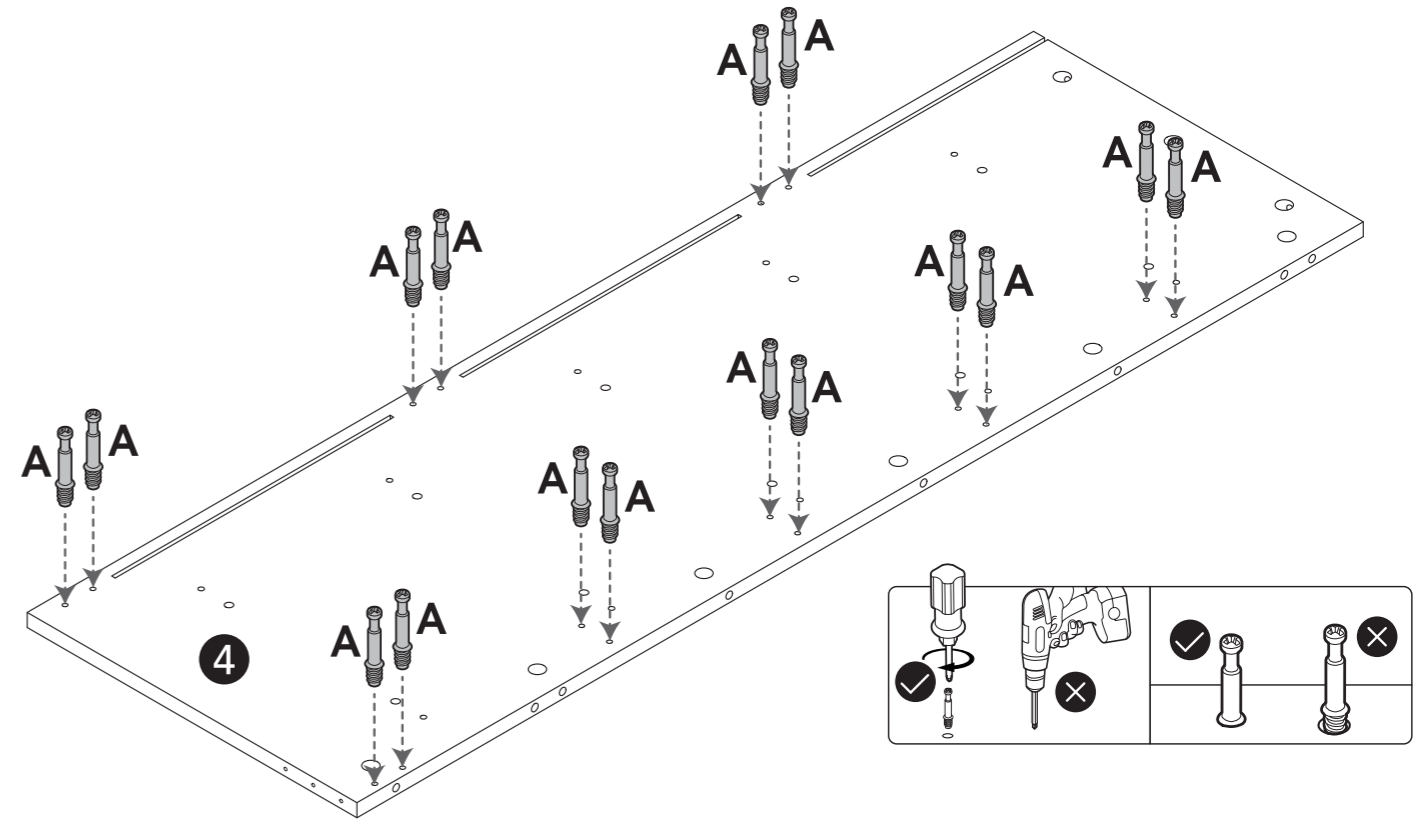
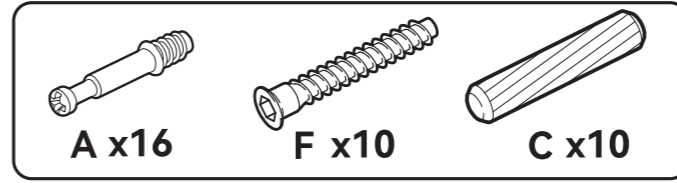
 Insert the cam bolt into the hole, then insert the cam lock and tighten.



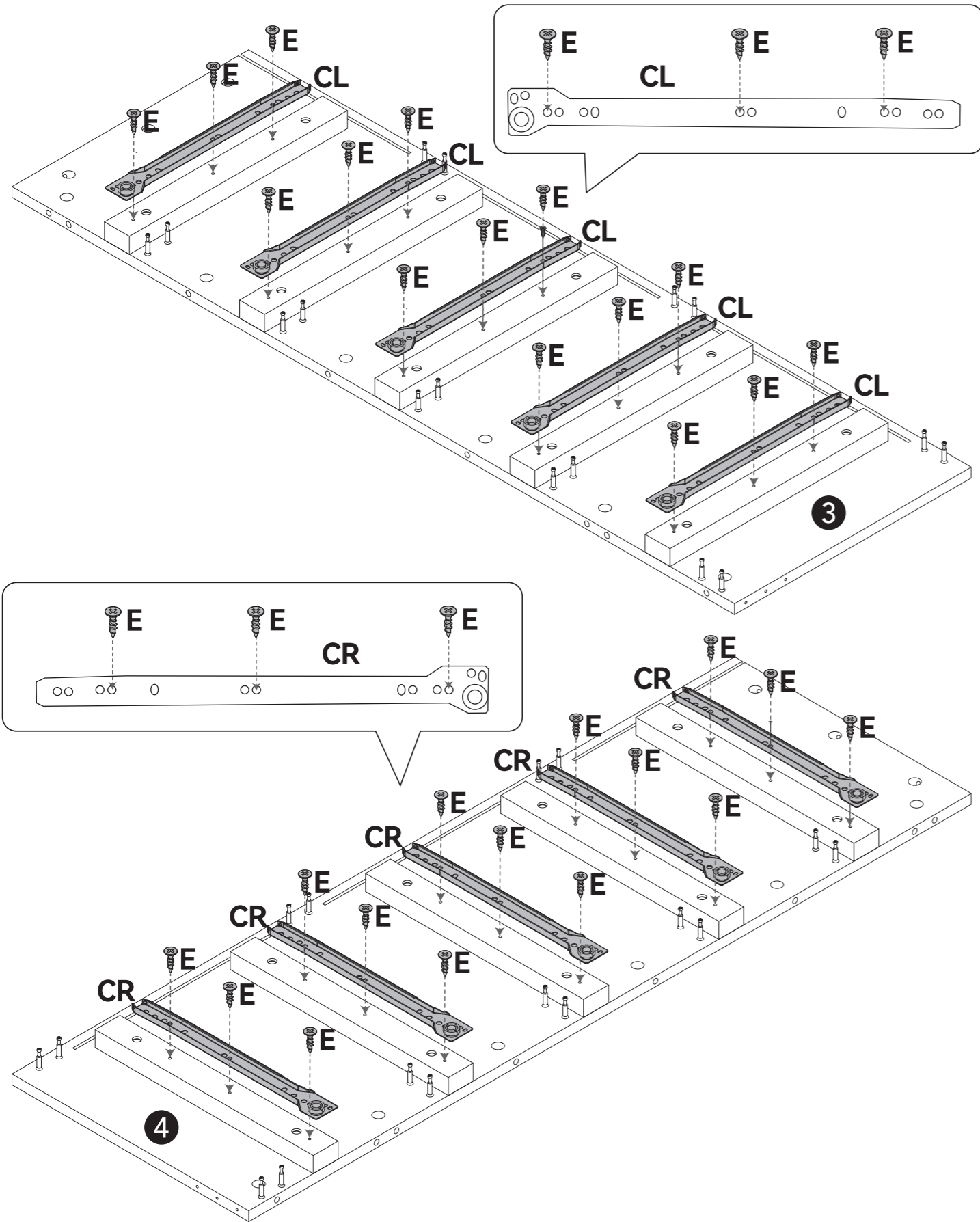
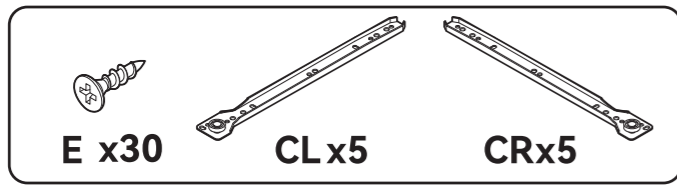
2



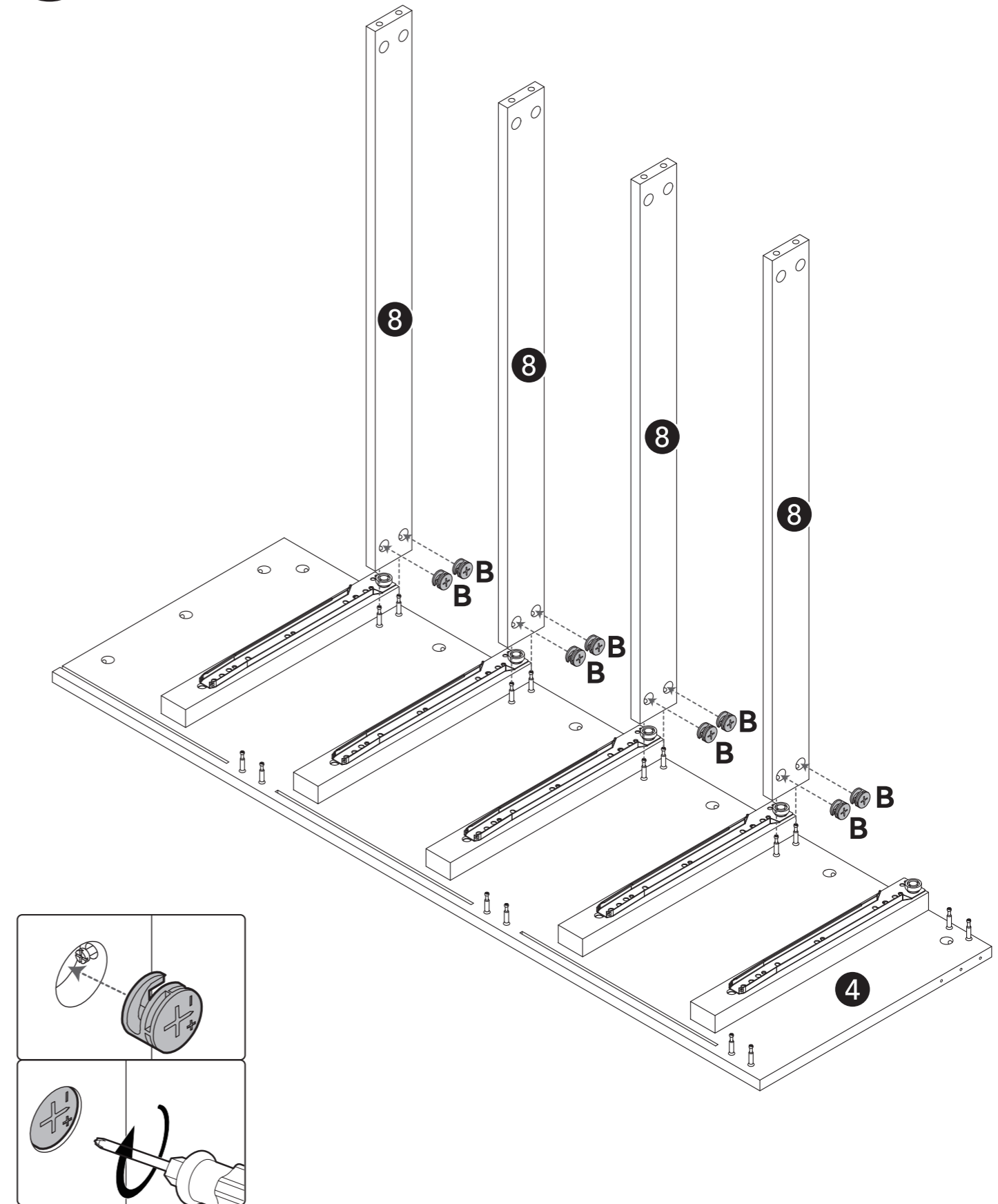
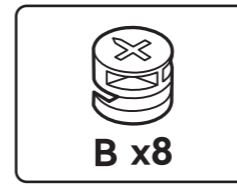
3



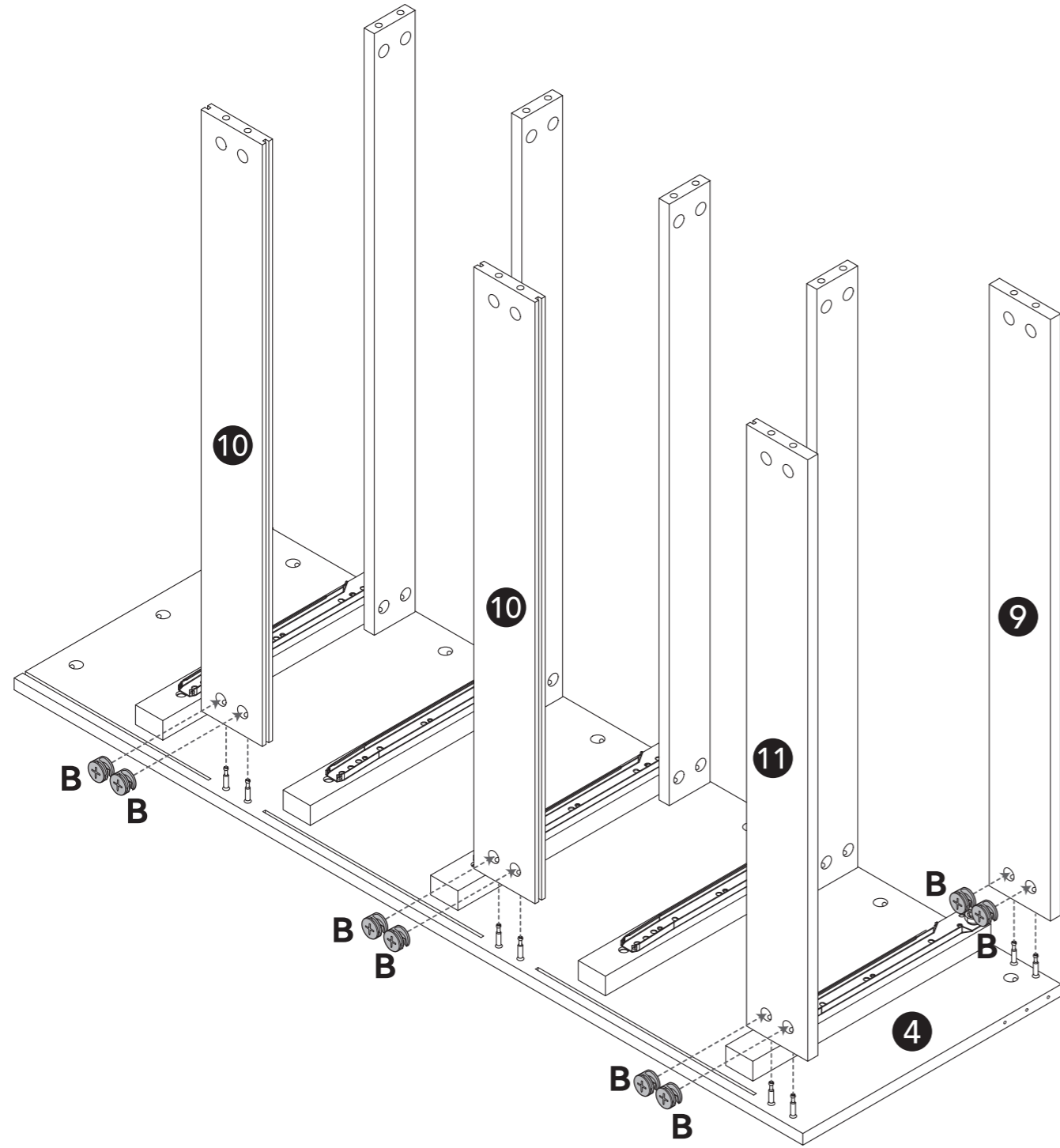
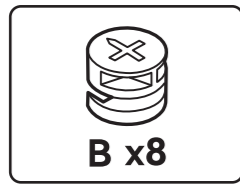
4



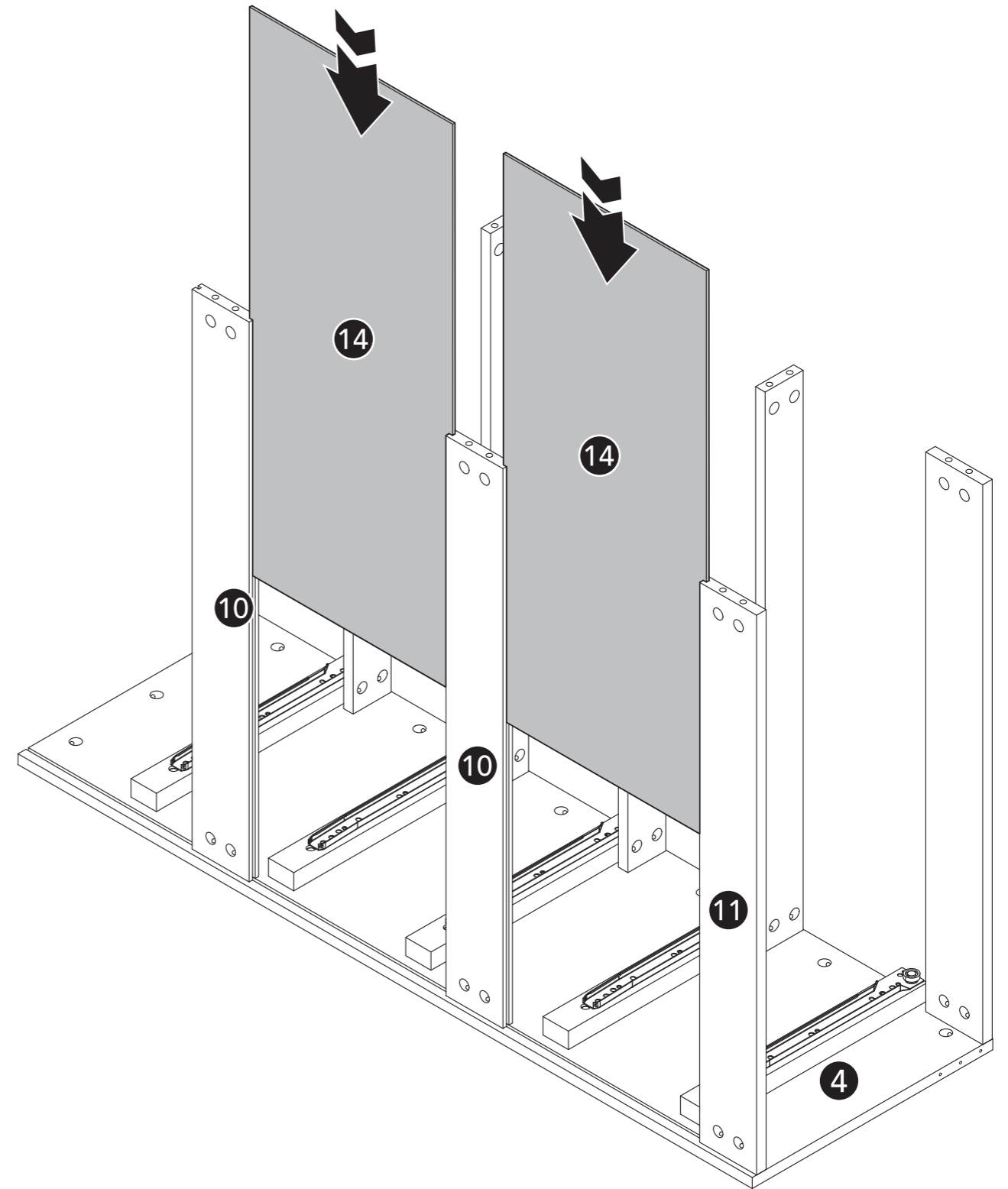
5



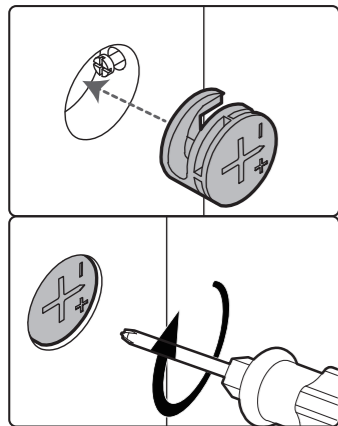
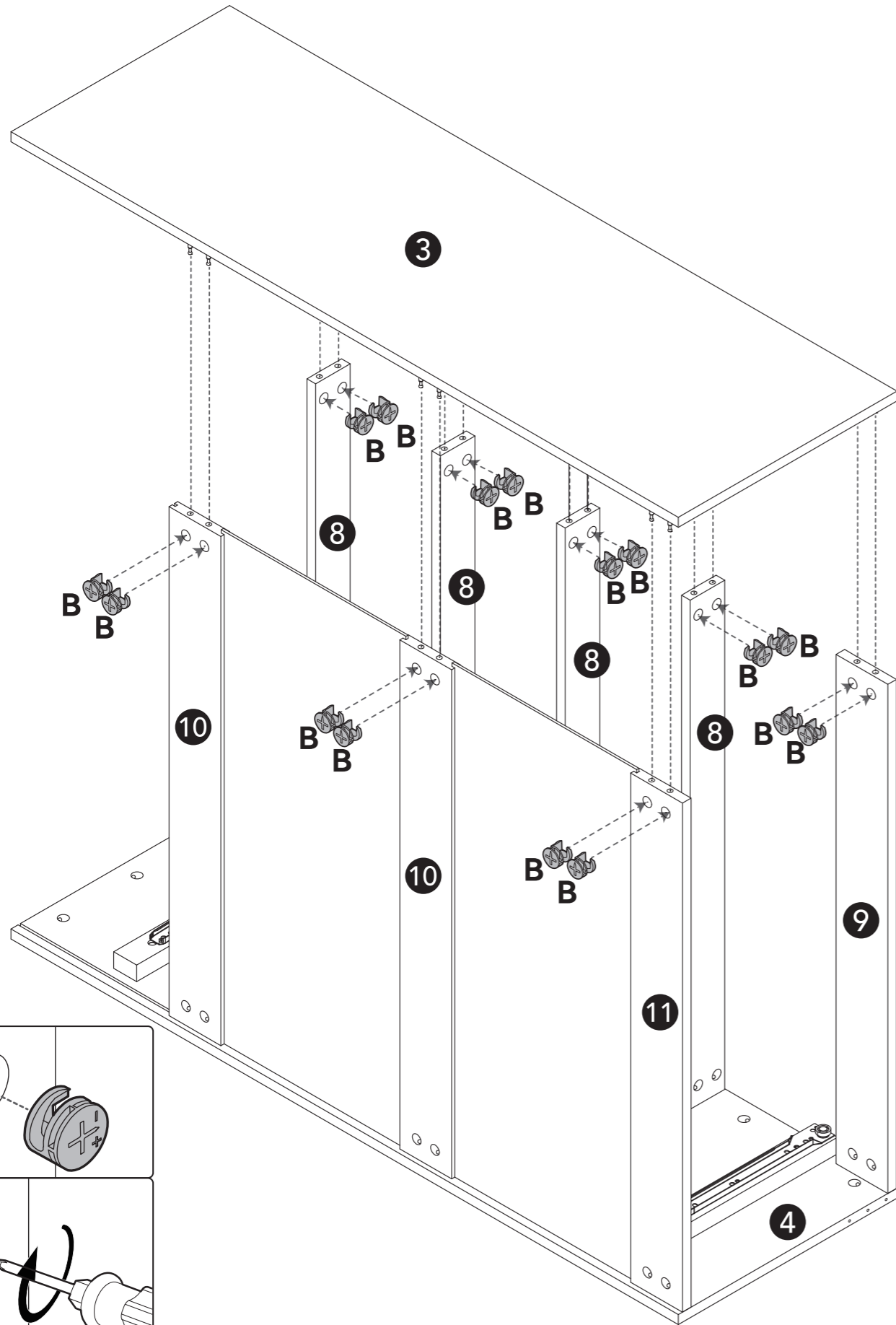
6



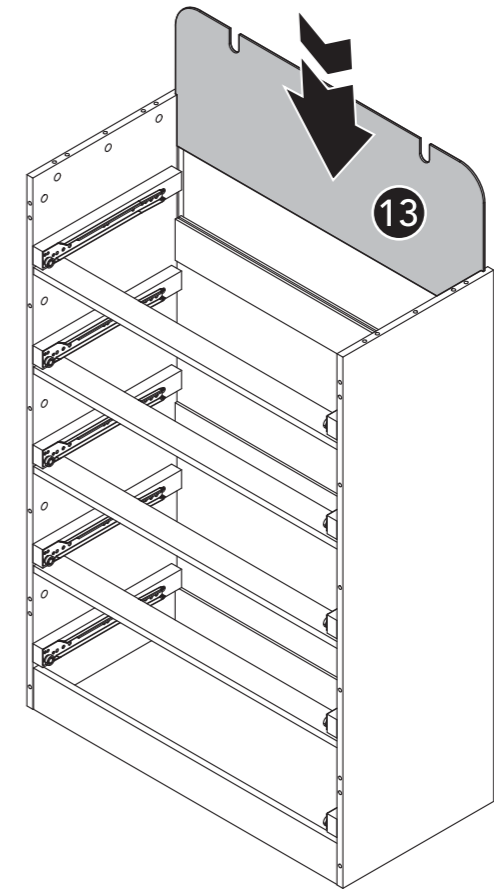
7



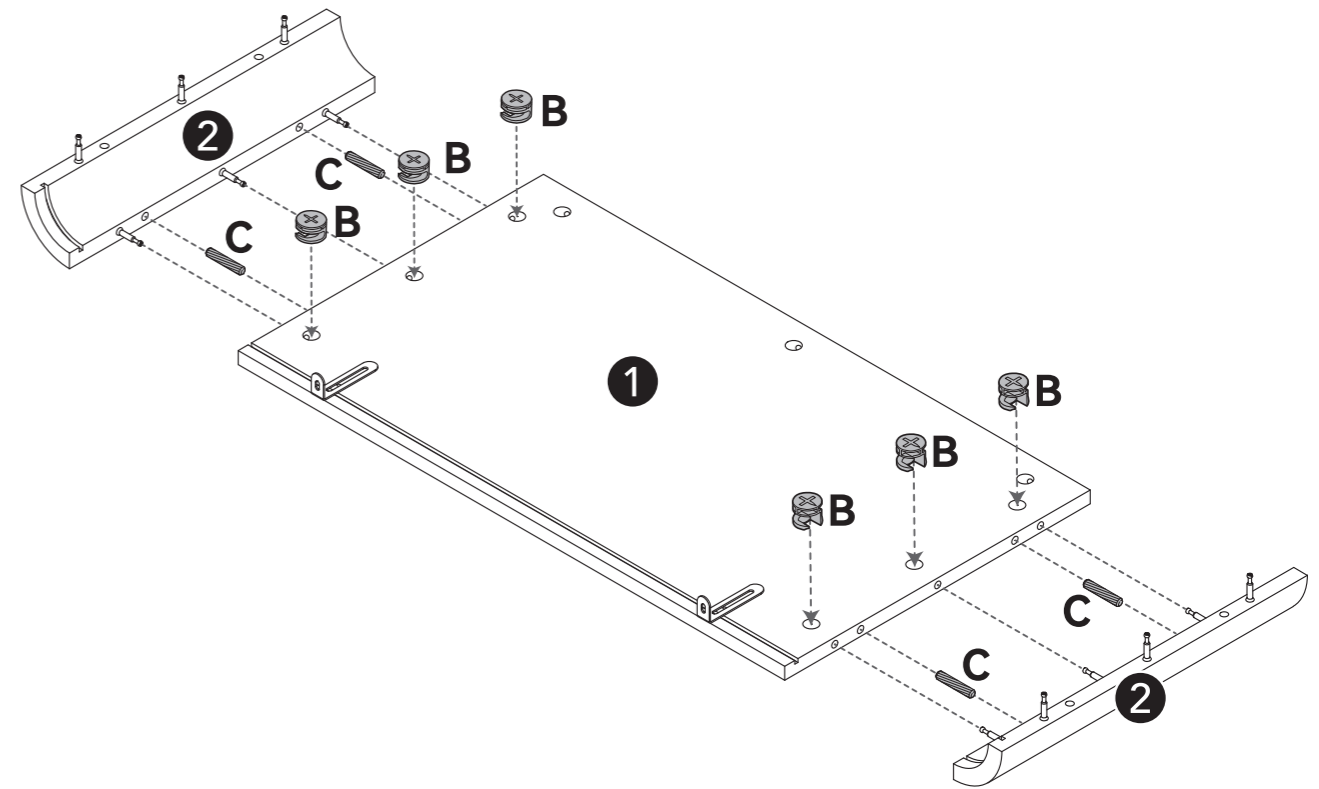
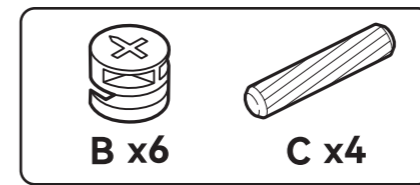
8



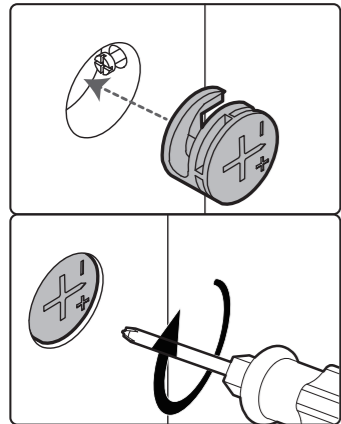
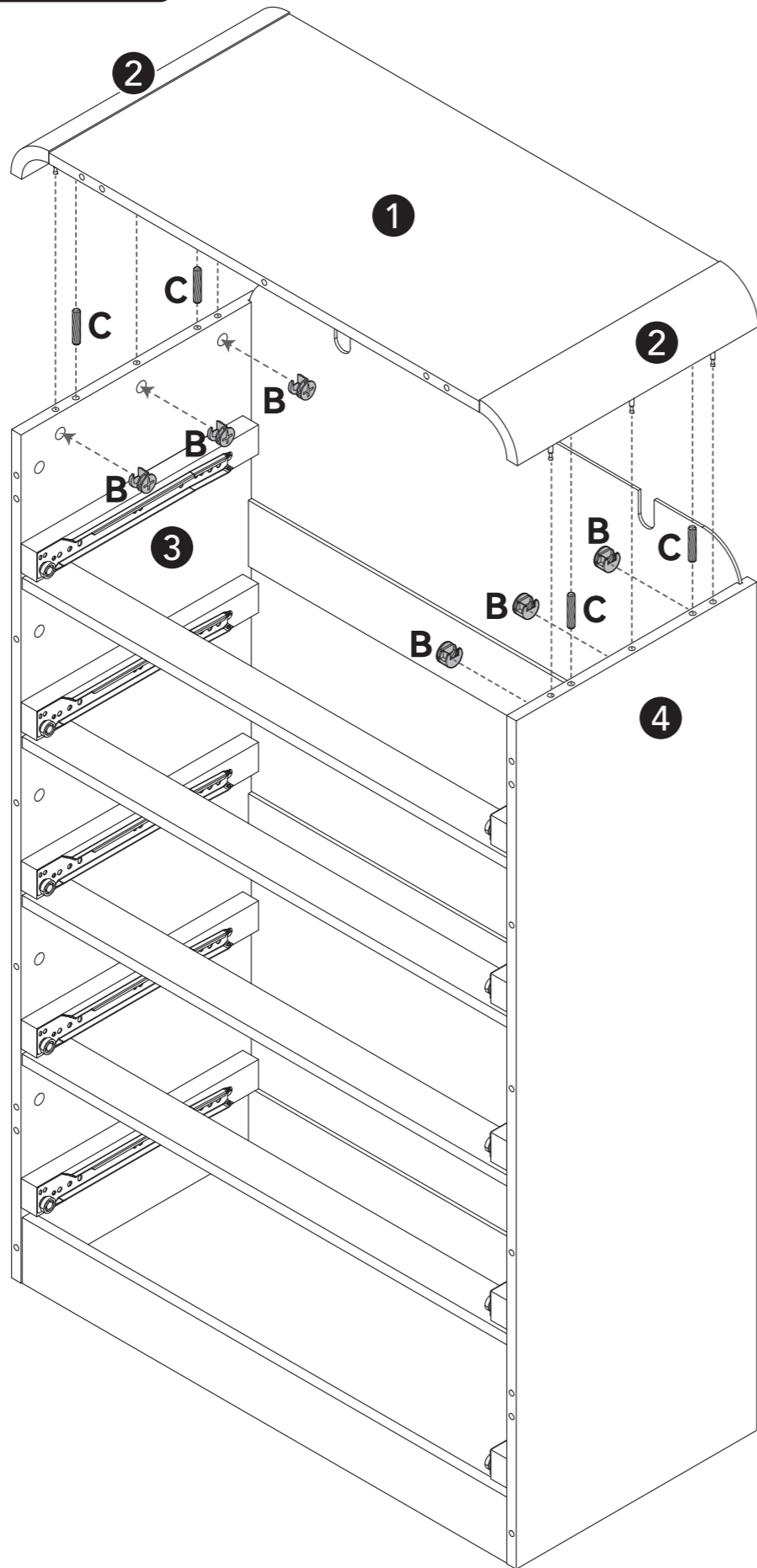
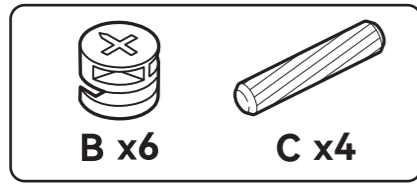
9



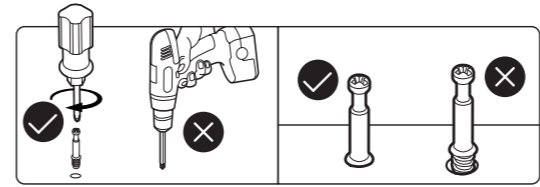
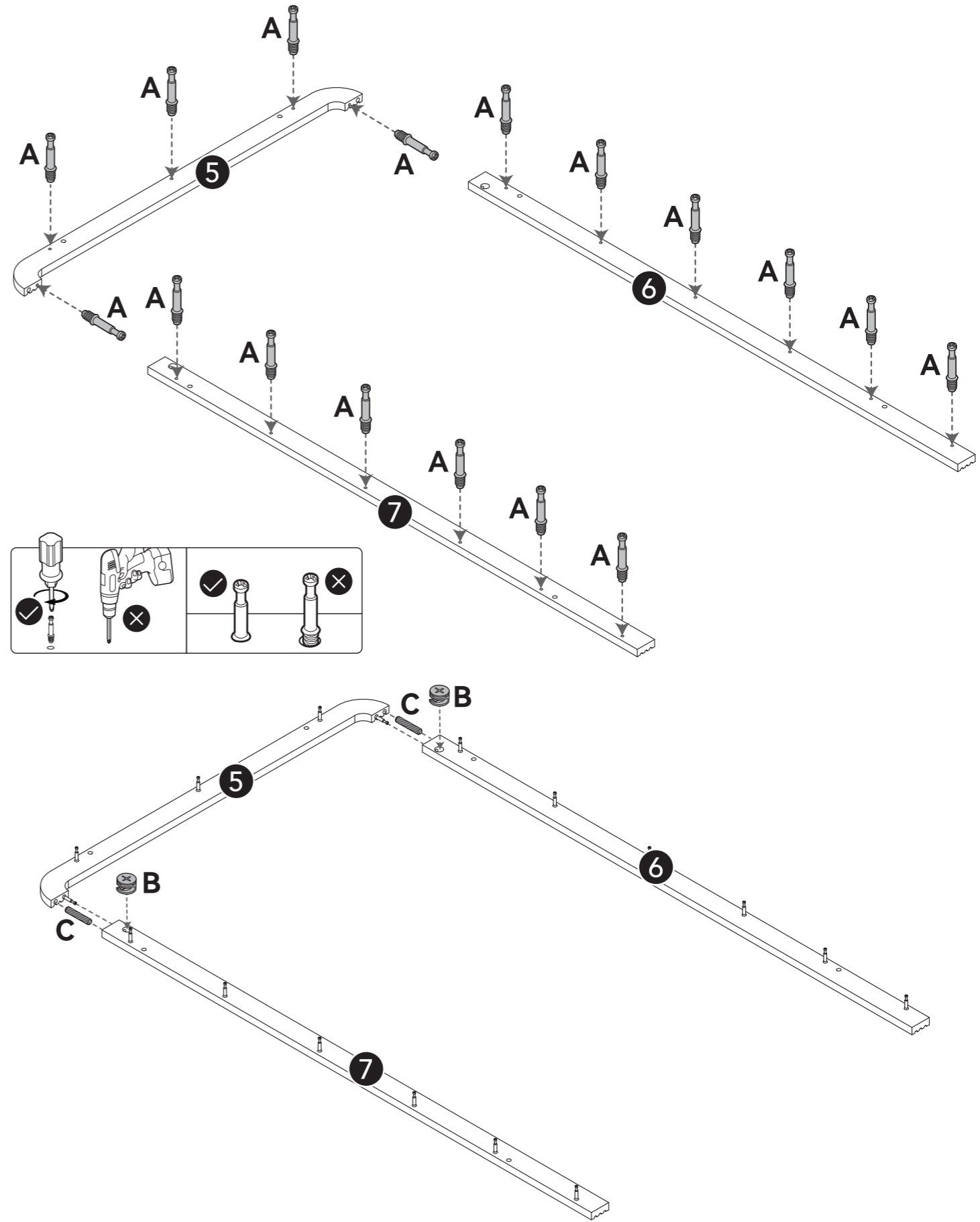
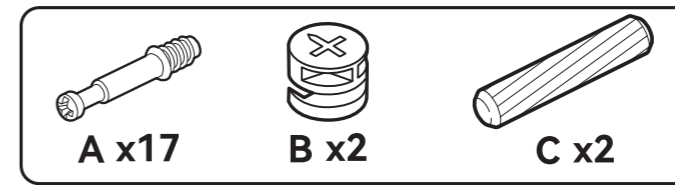
10



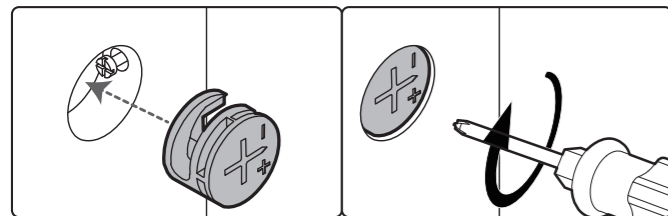
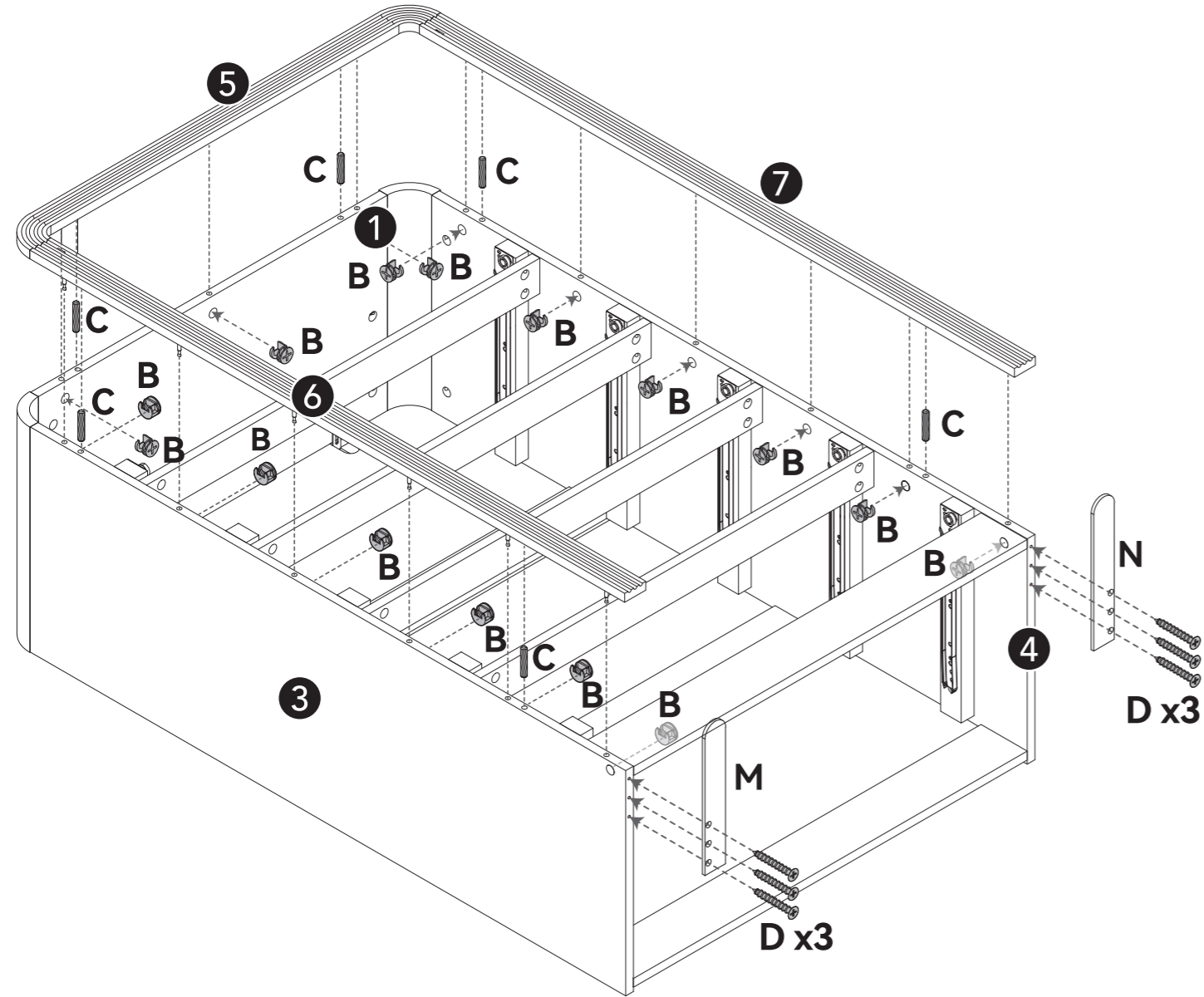
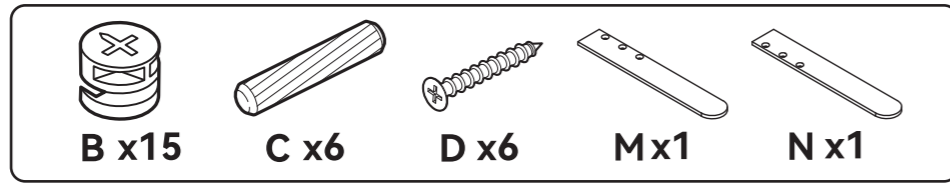
11



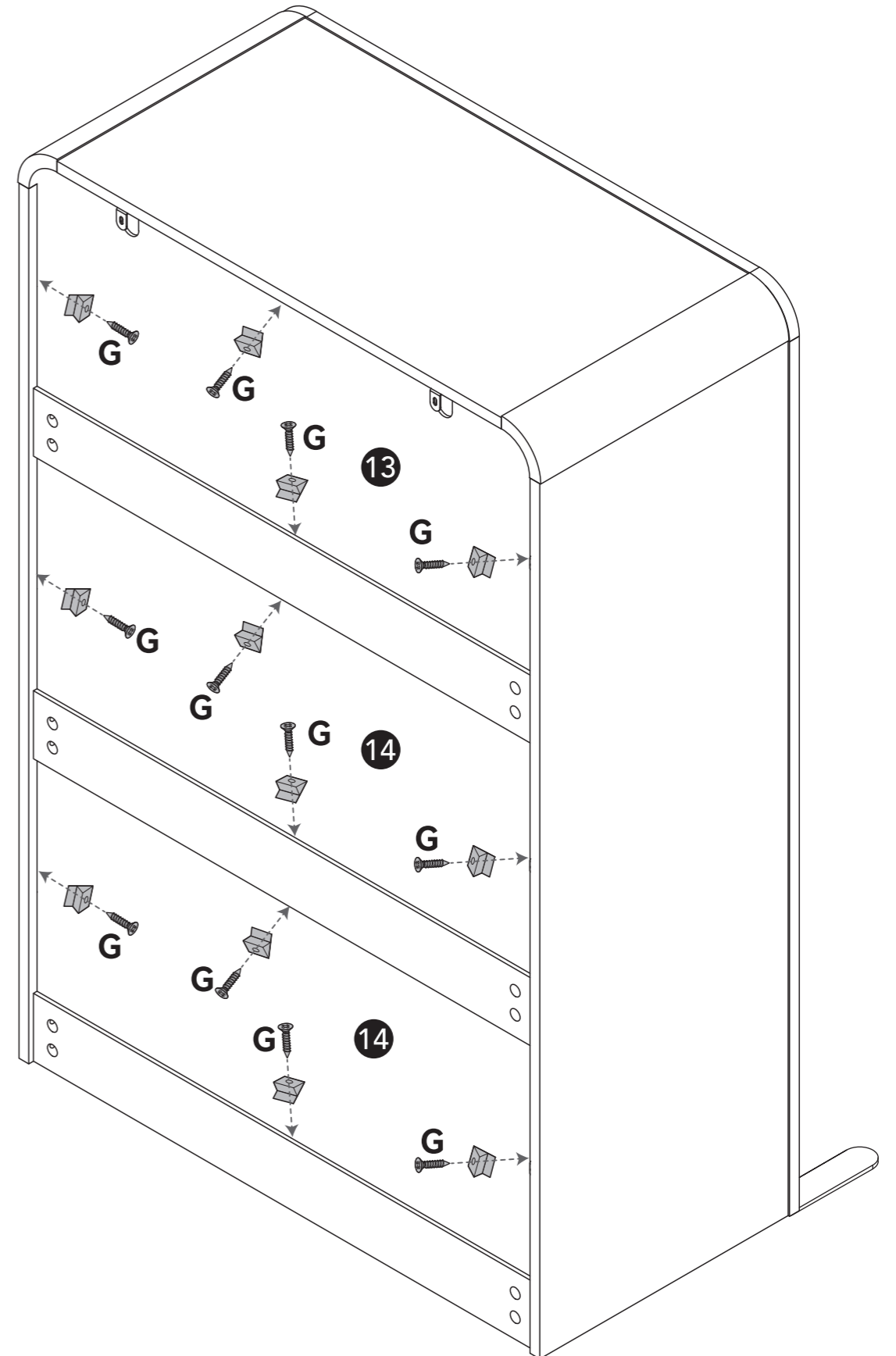
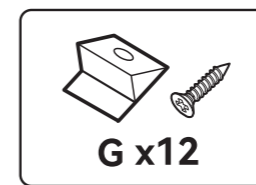
12



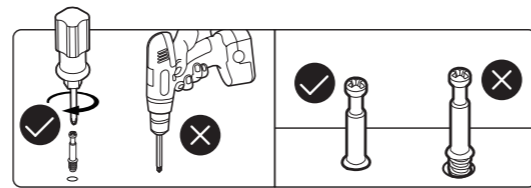
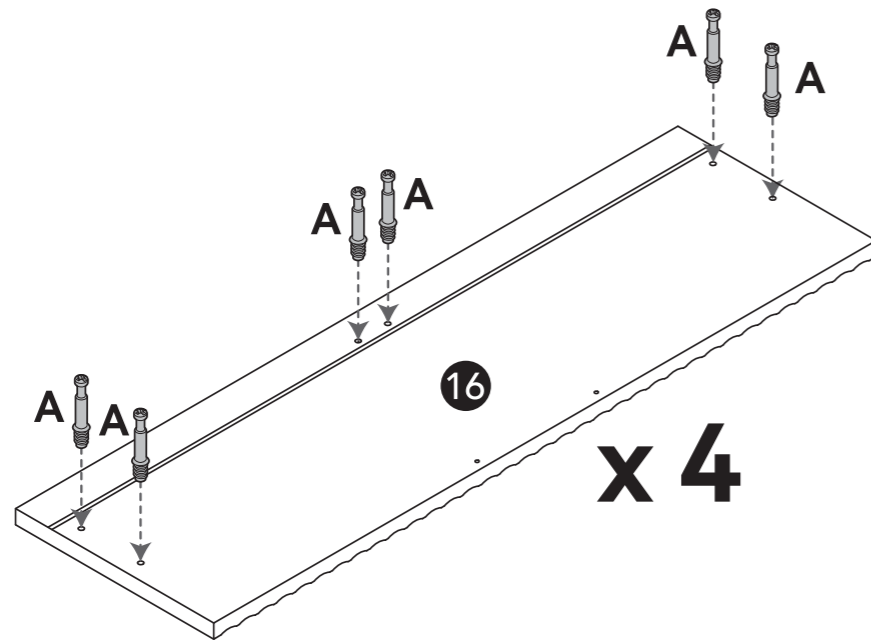
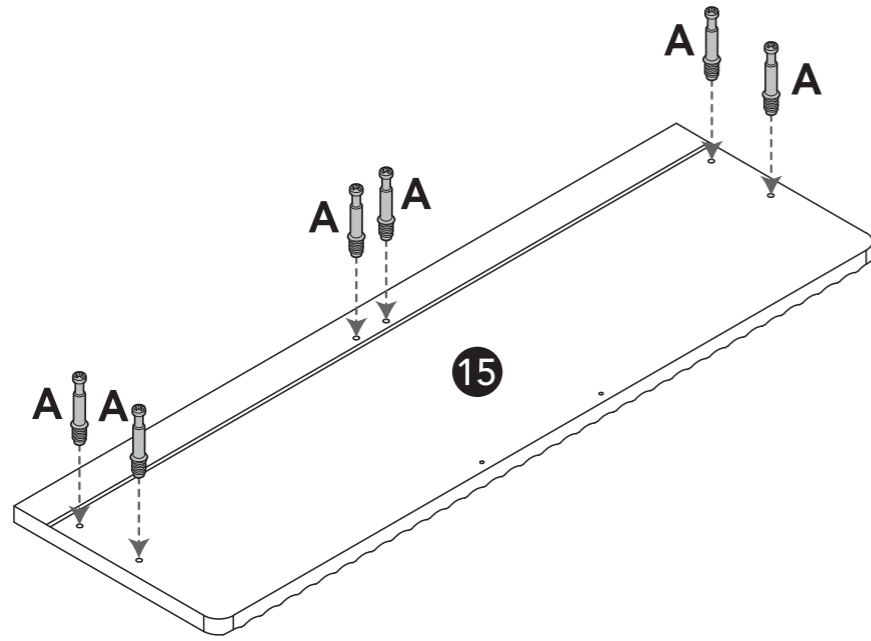
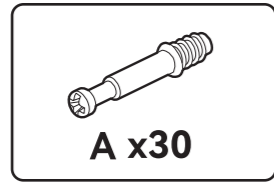
13



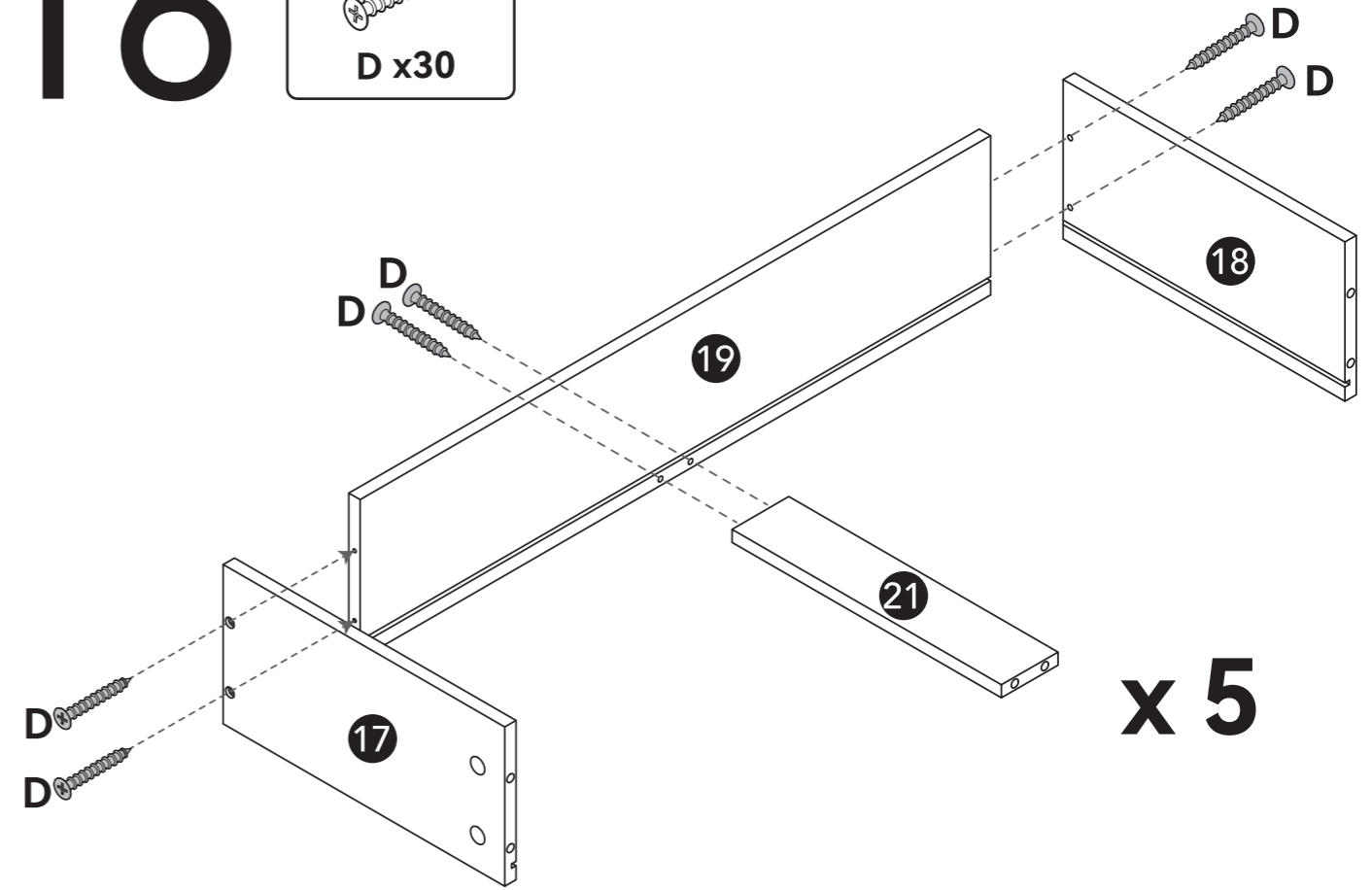
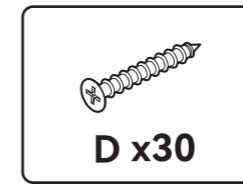
14



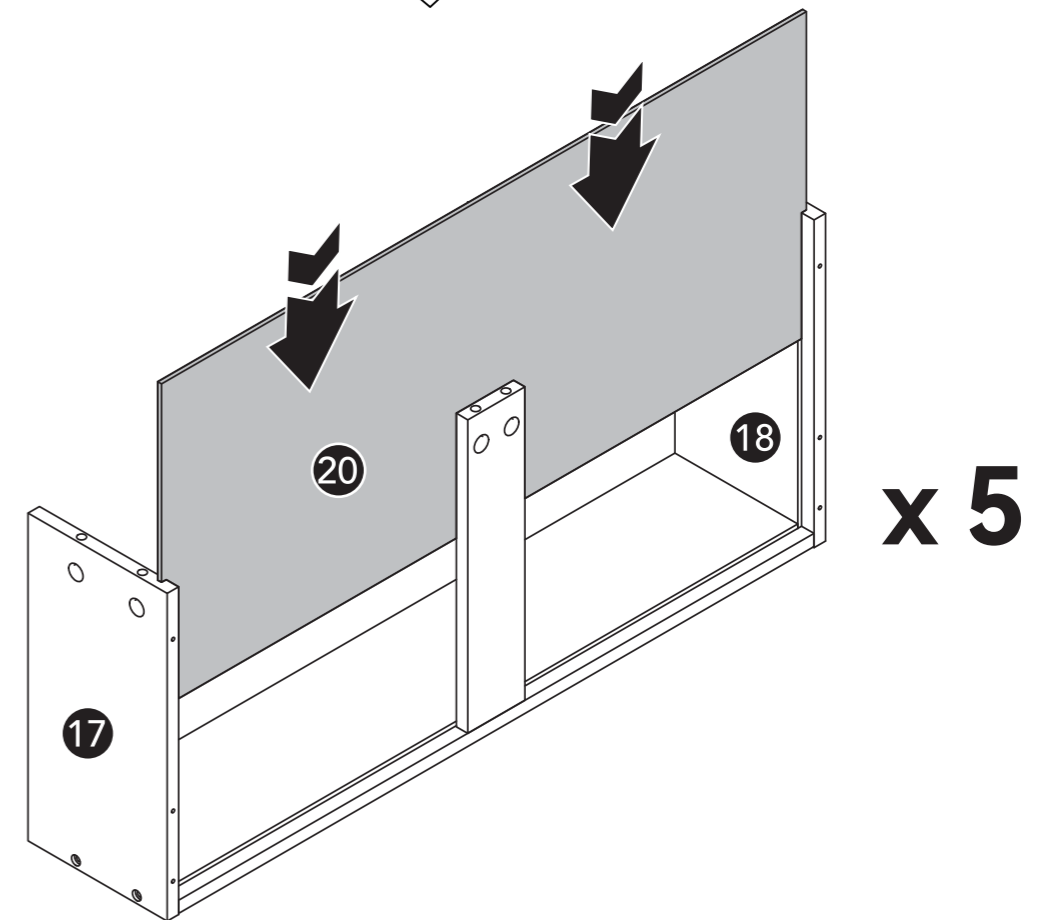
15



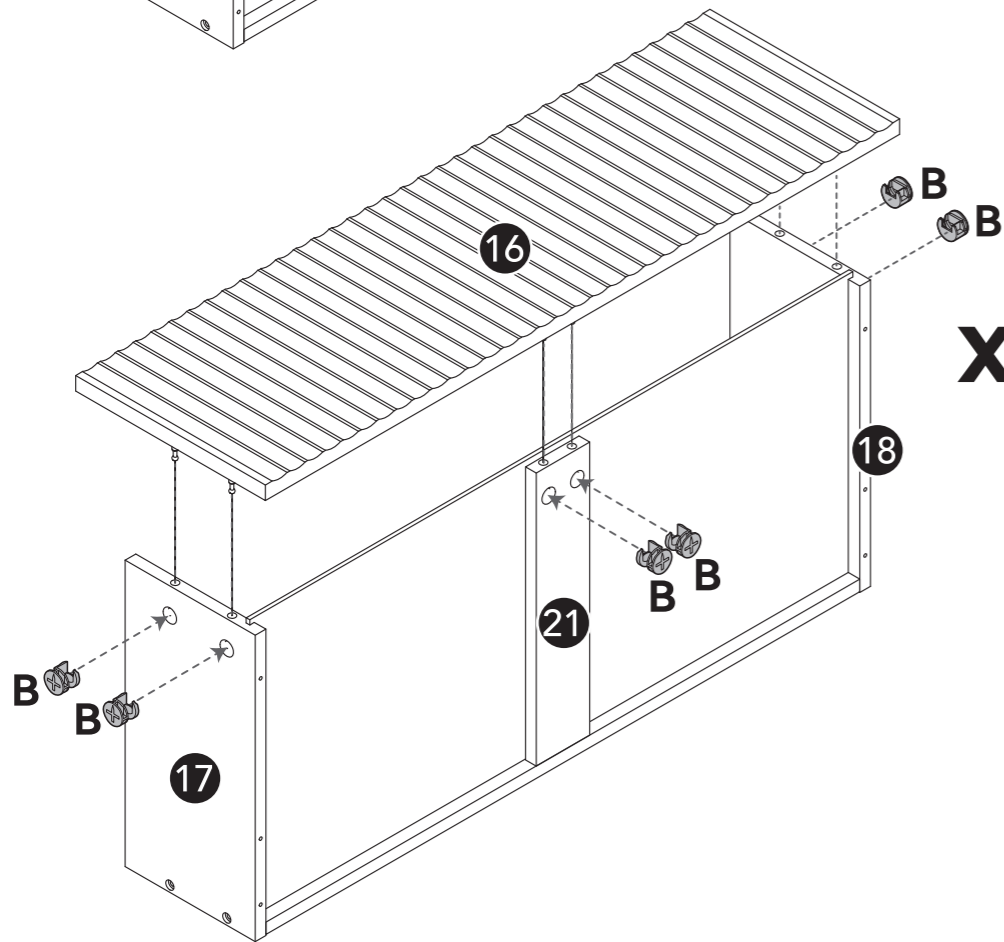
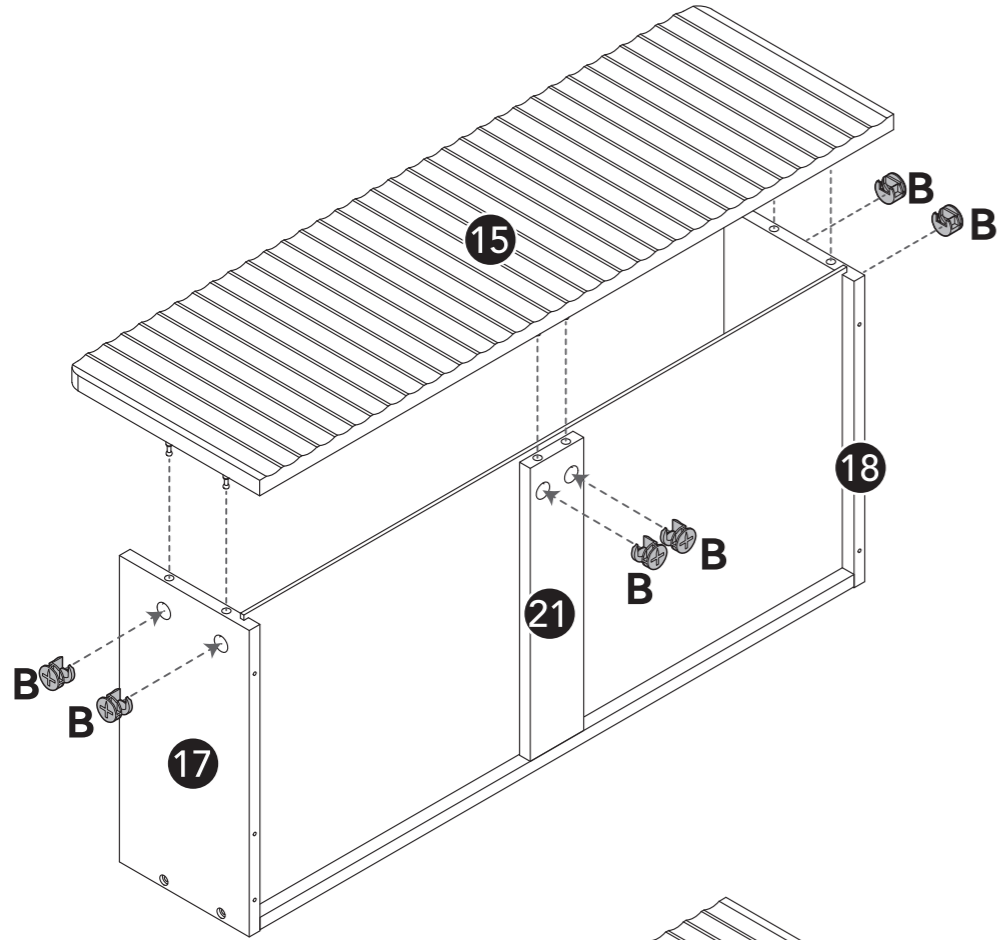
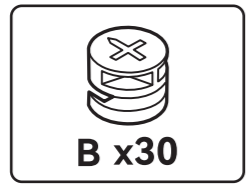
16



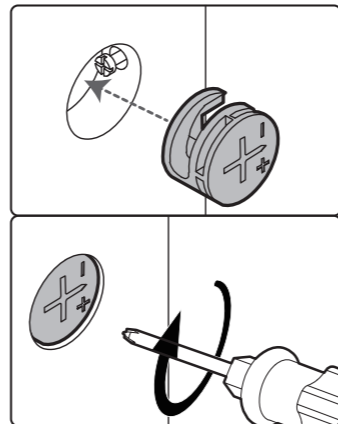
17



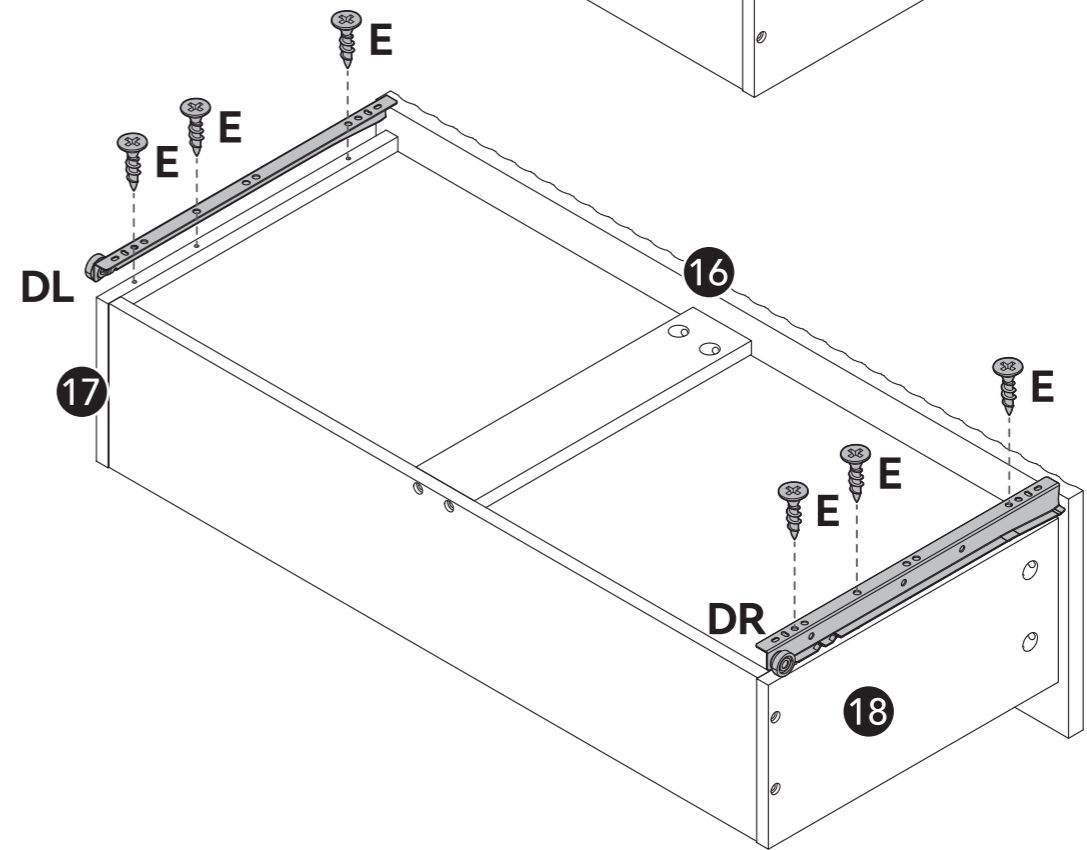
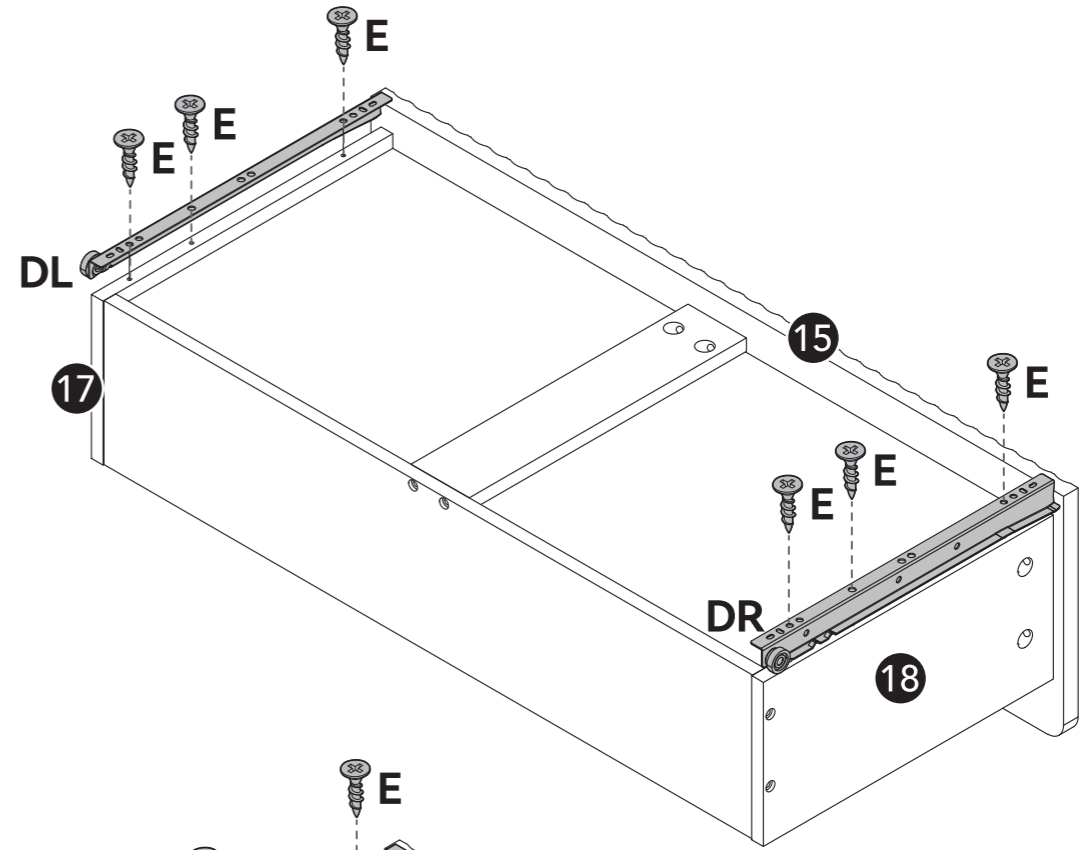
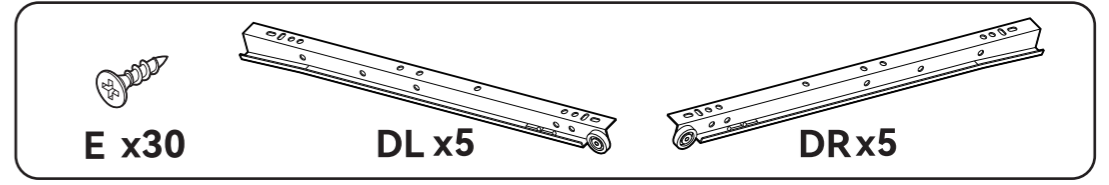
18



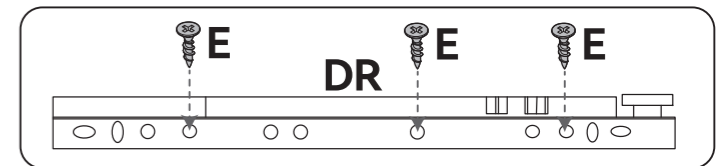
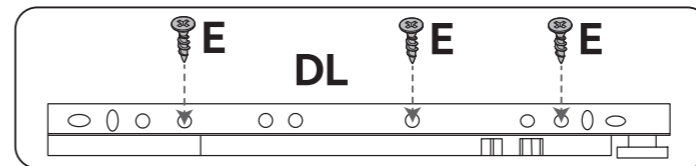
x 4



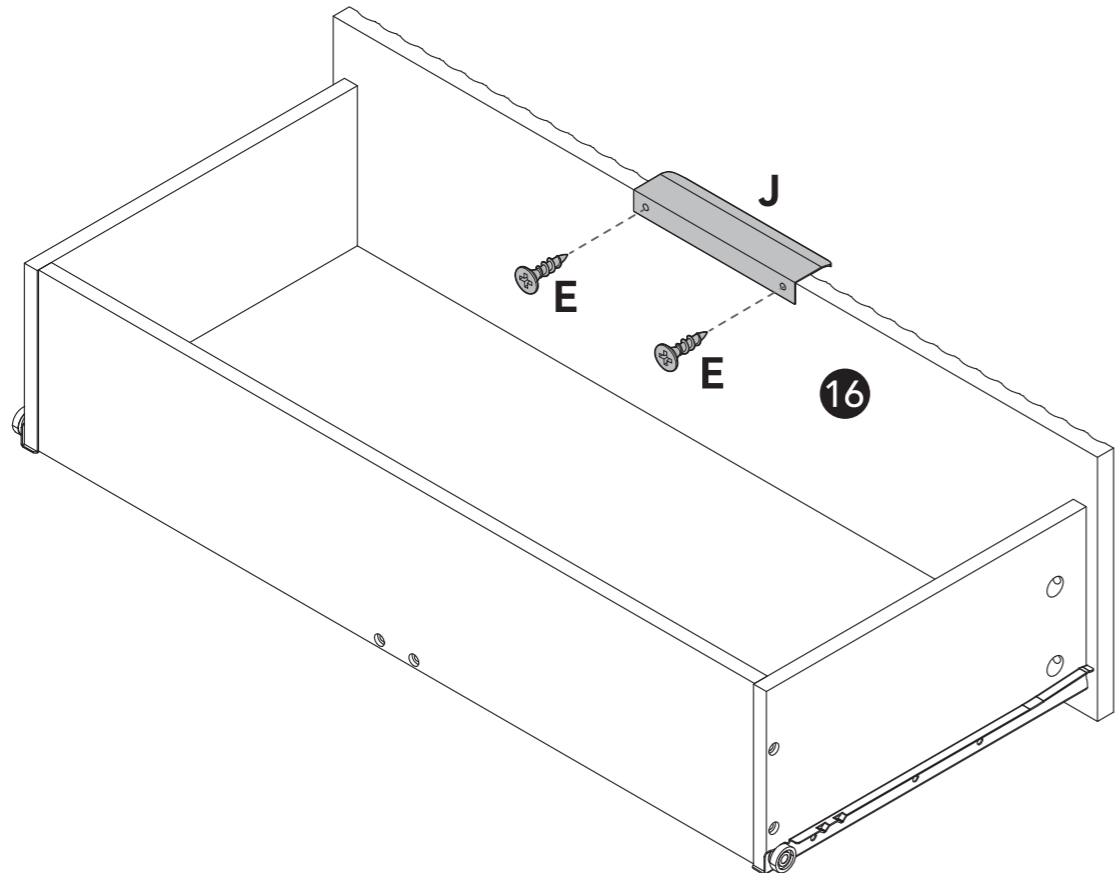
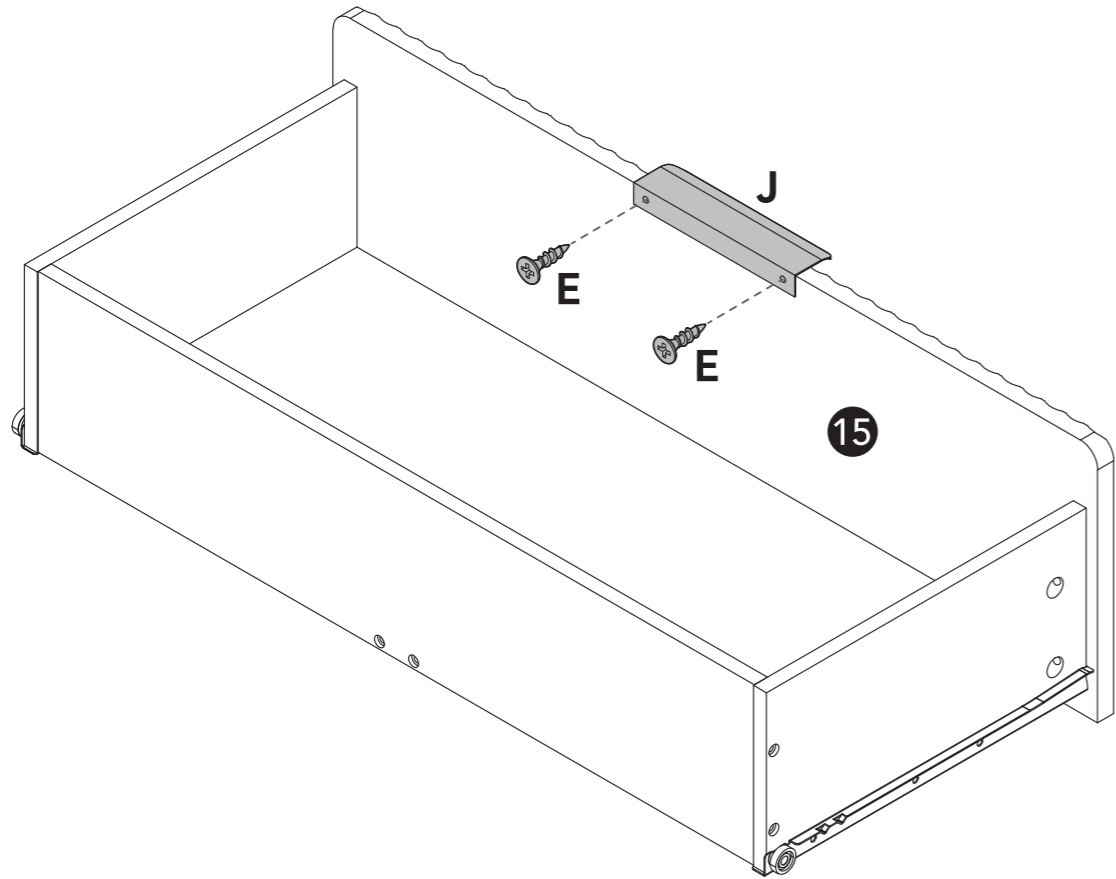
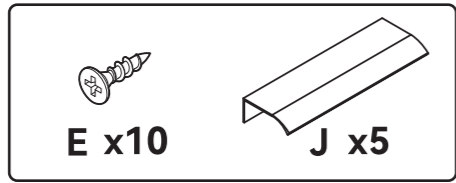
19



x 4

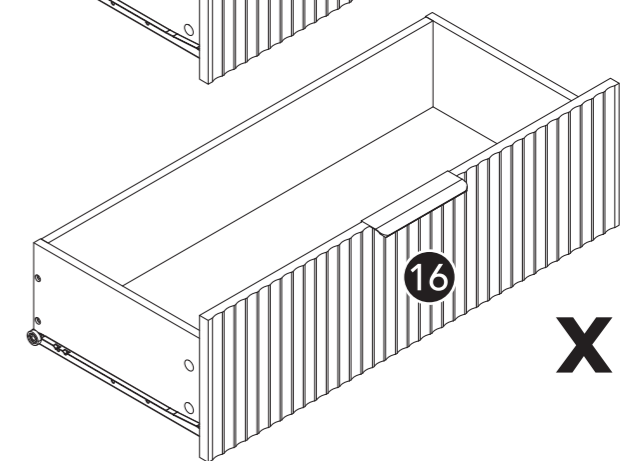
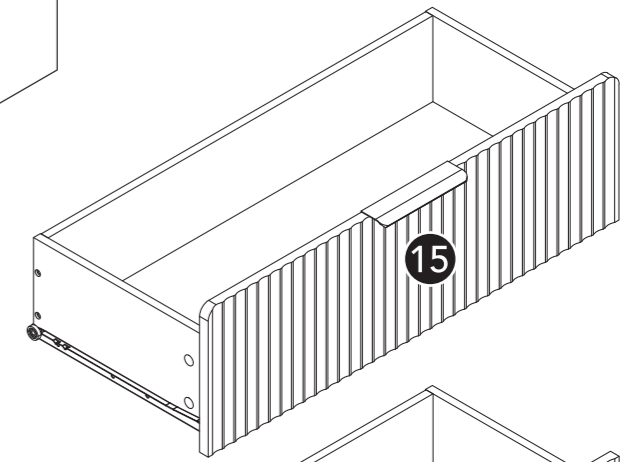
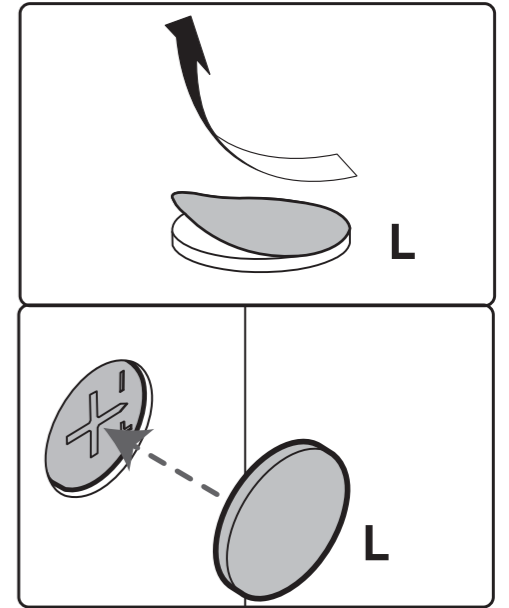
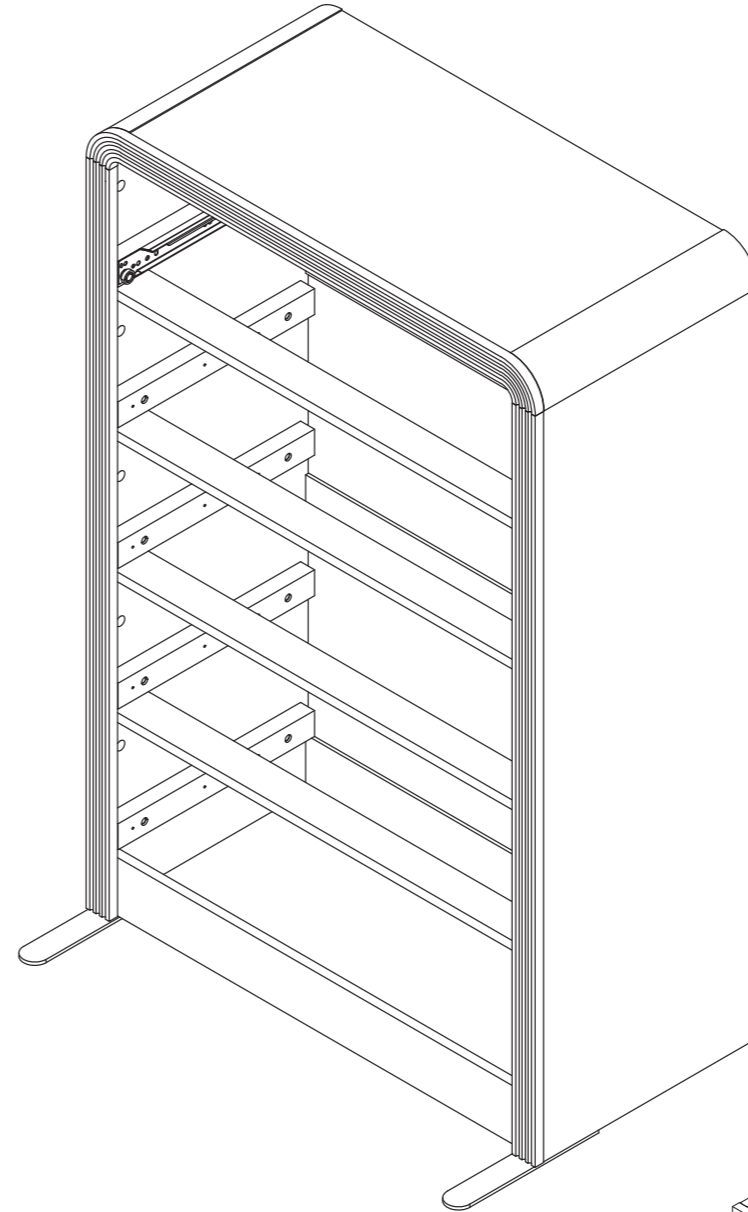
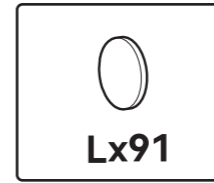


20



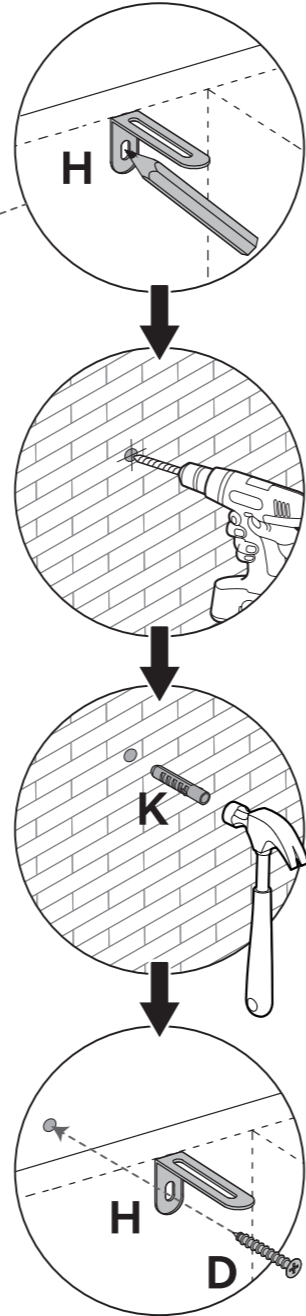
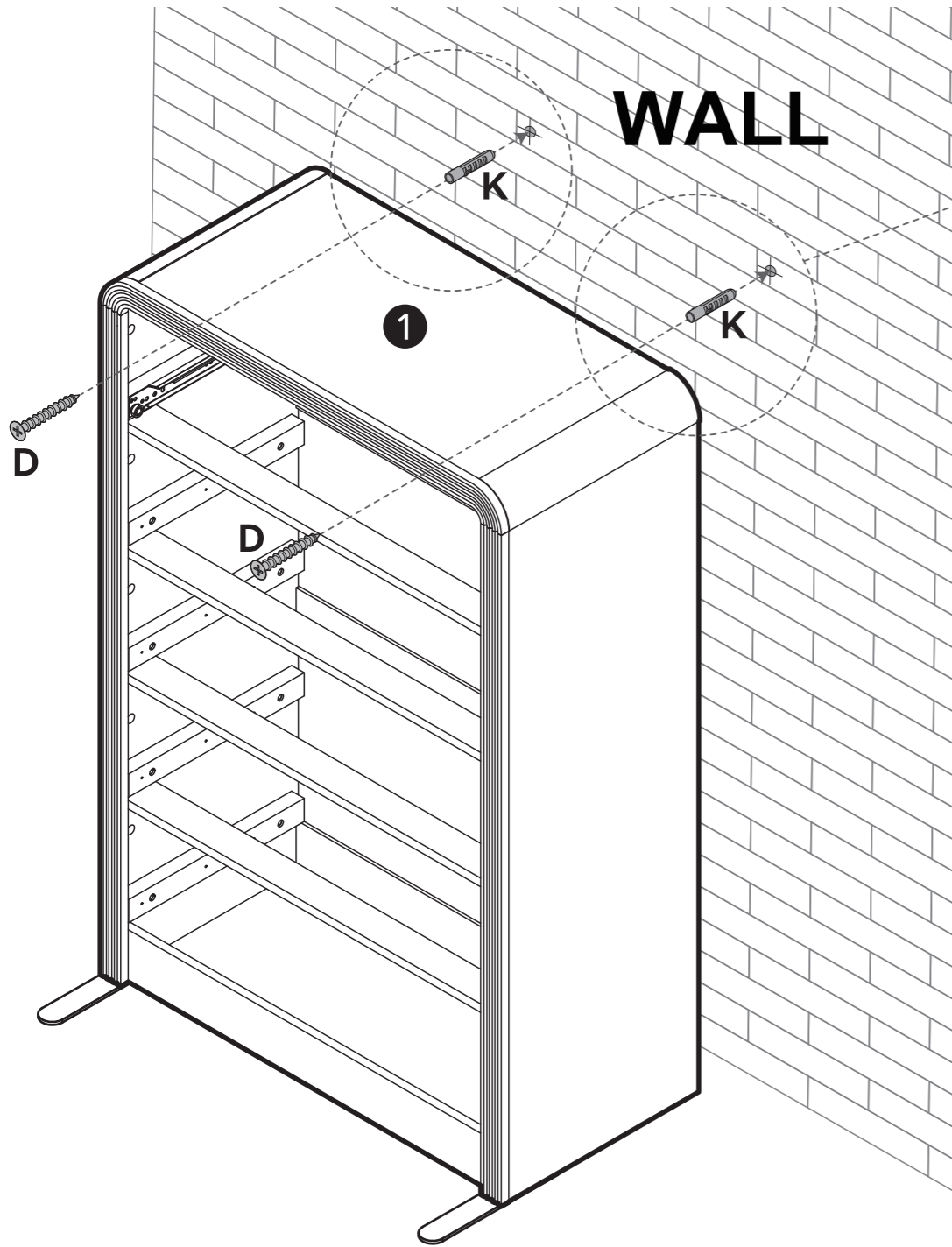
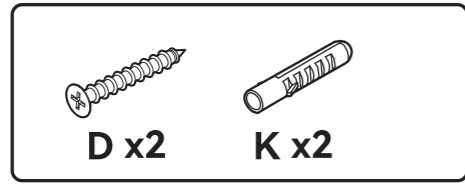
x 4

21



x 4

22



23

