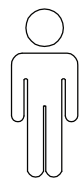
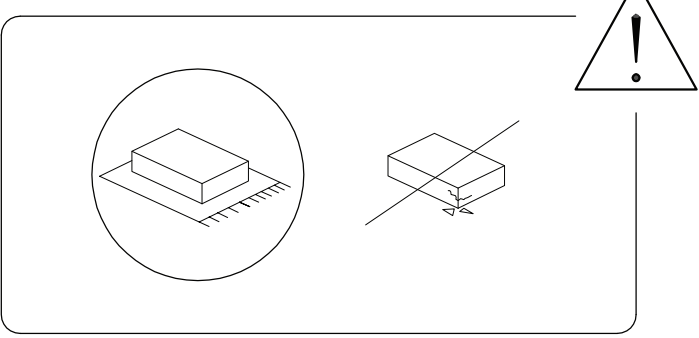
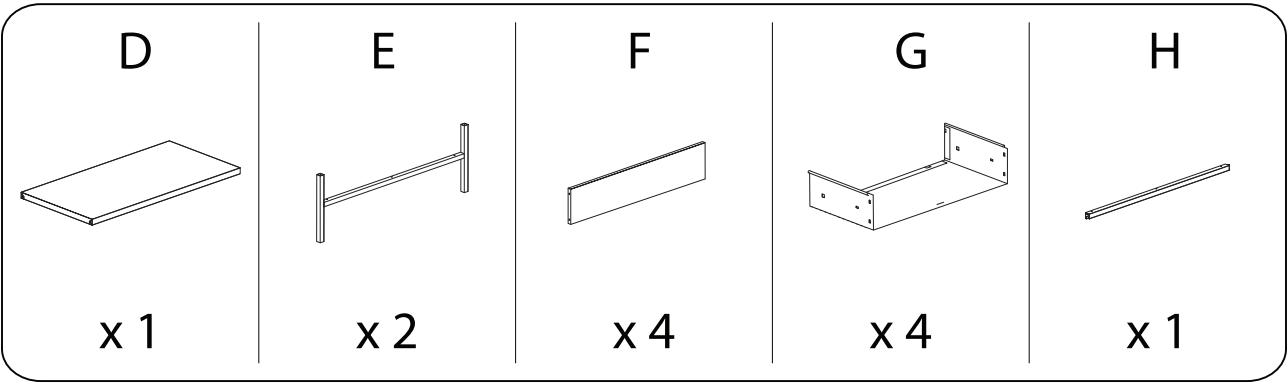
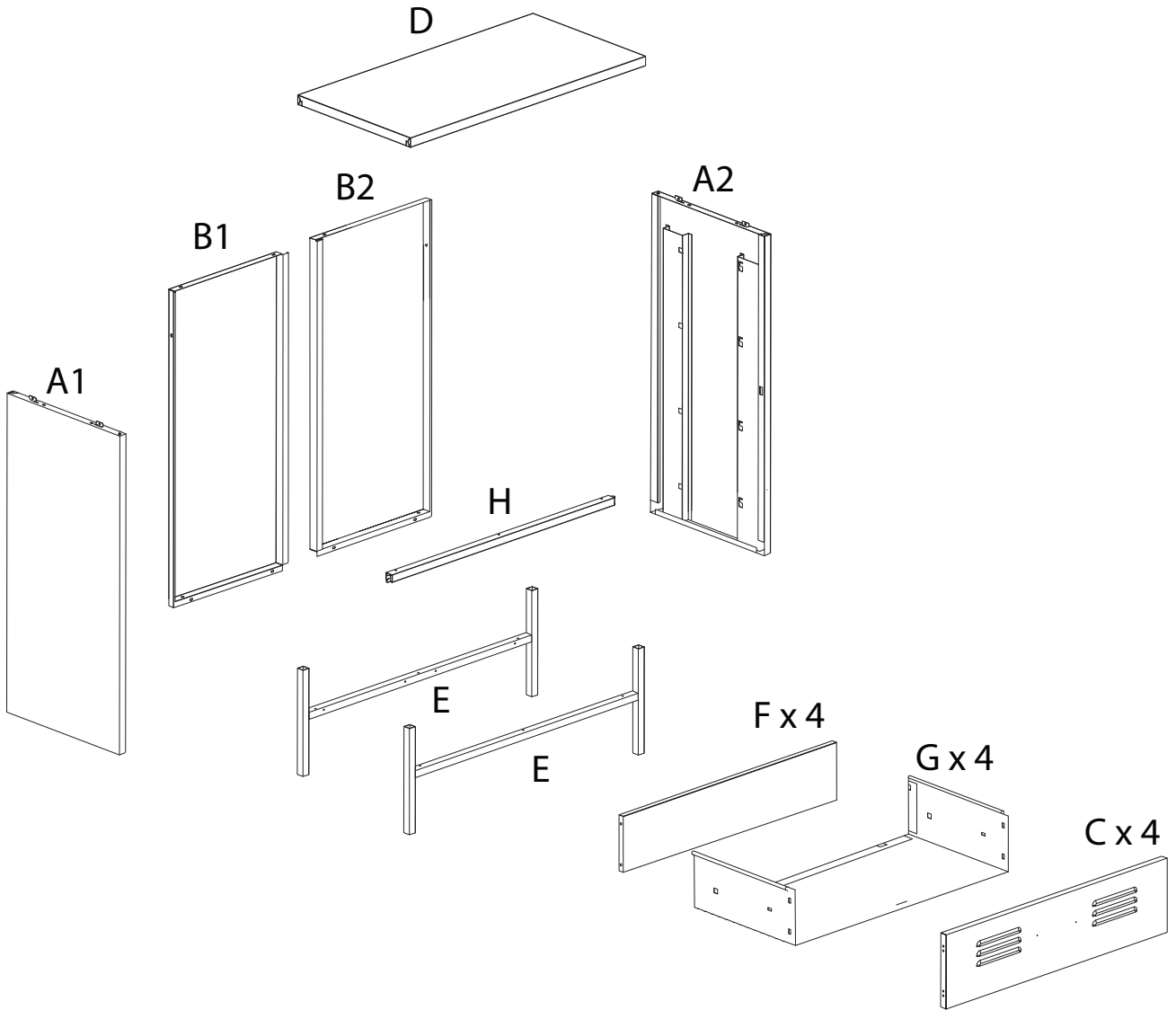
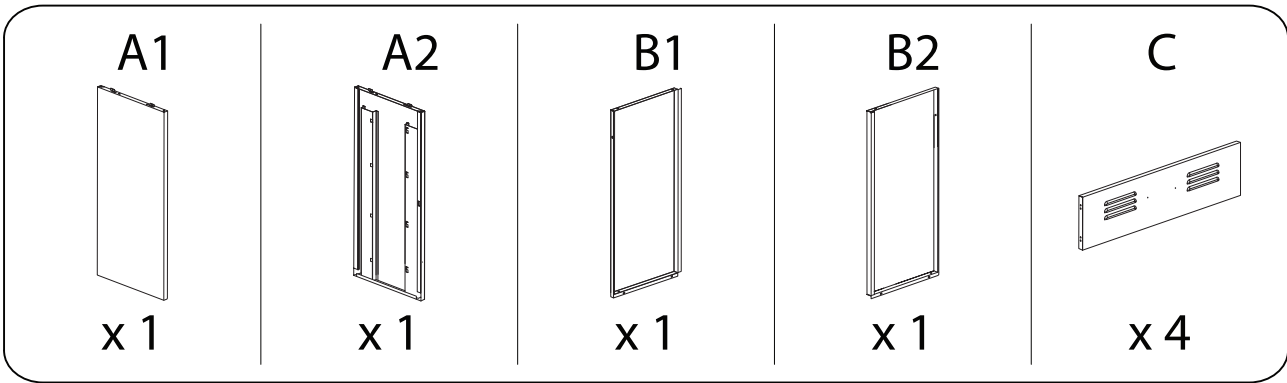


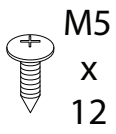
45'



2

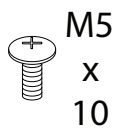


1



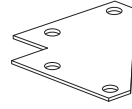
x 32

2



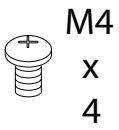
x 16

3



x 4

4



x 8

5



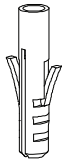
x 8

6



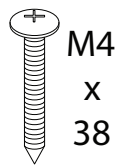
x 4

7



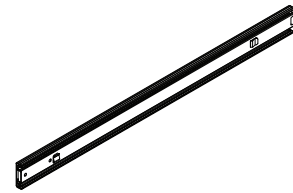
x 2

8



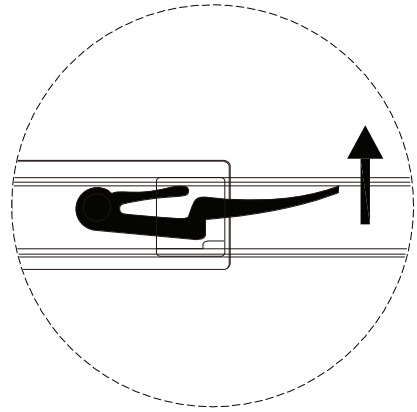
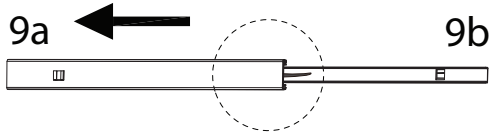
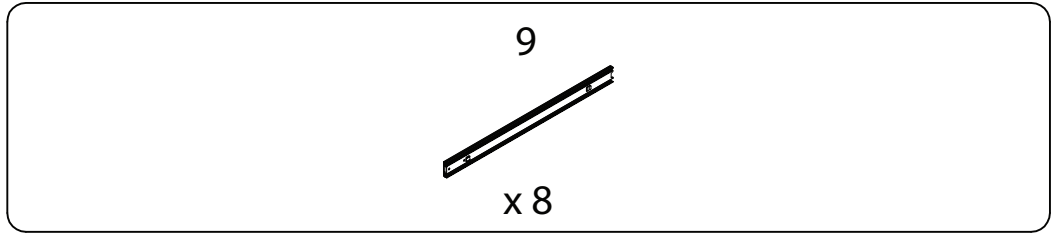
x 2

9

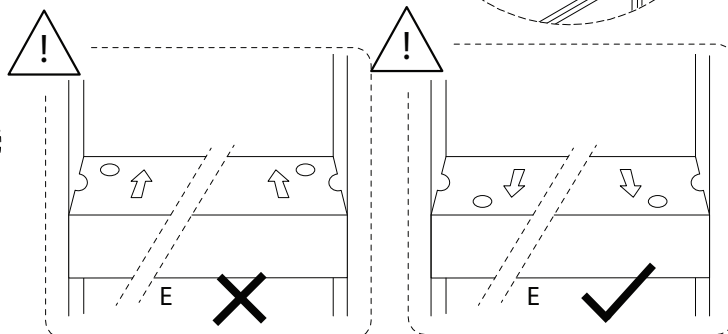
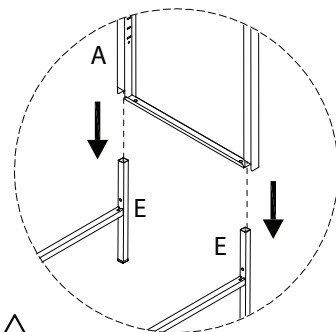
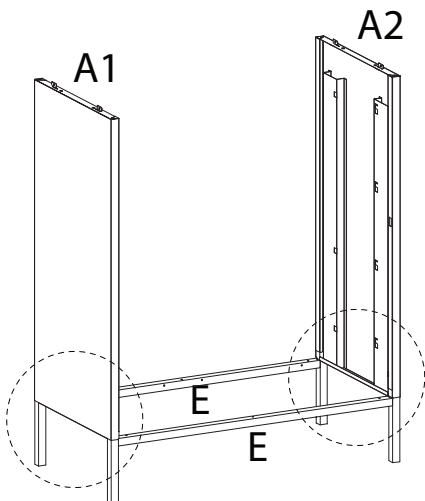
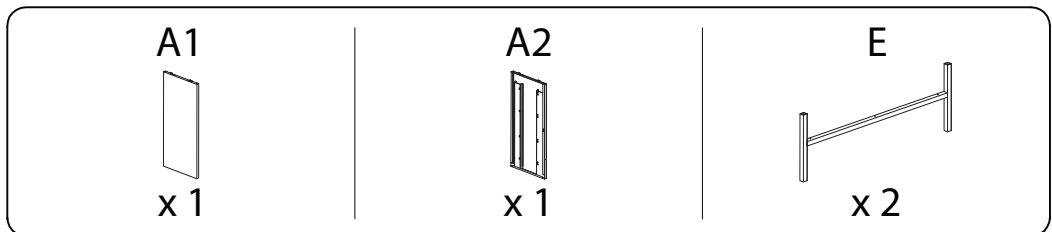


x 8

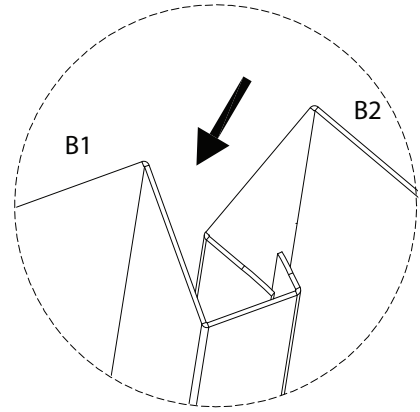
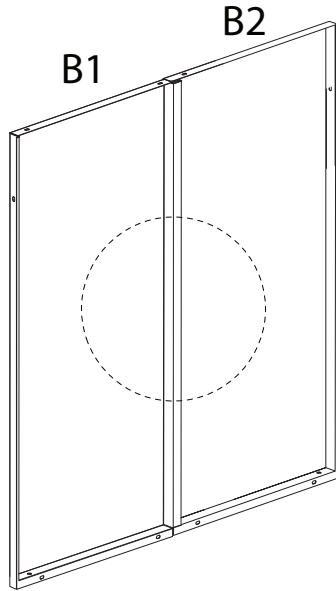
1



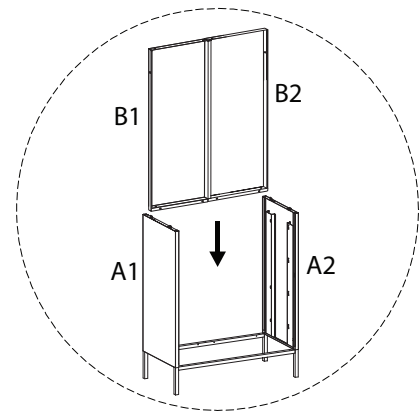
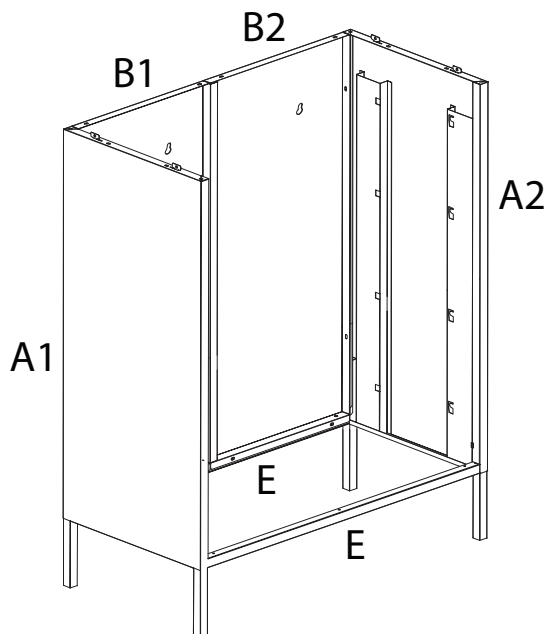
2



3



4

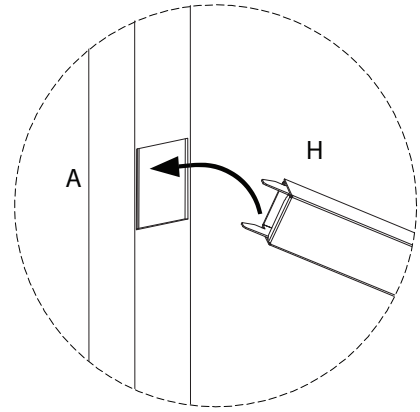
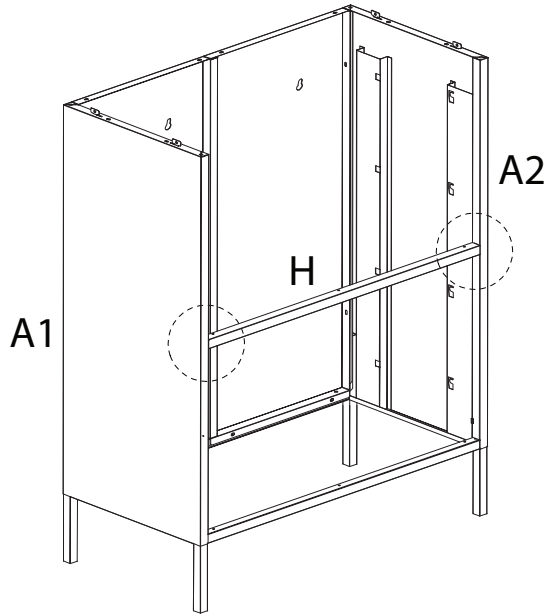


5

H



x 1

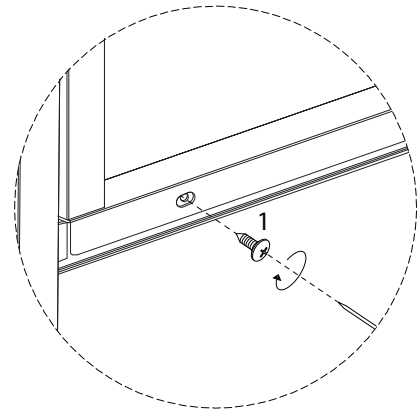
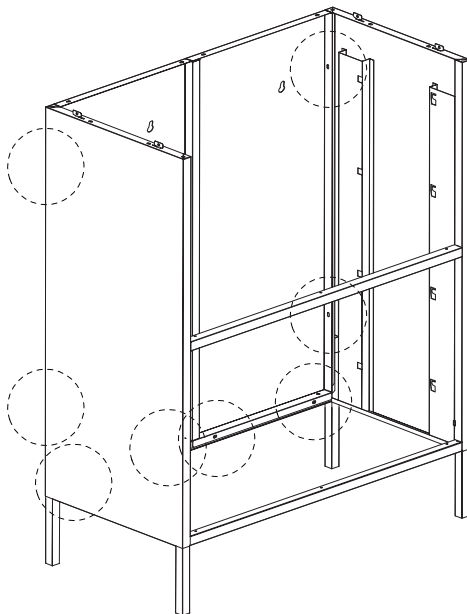


6

1



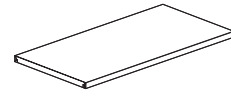
x 8



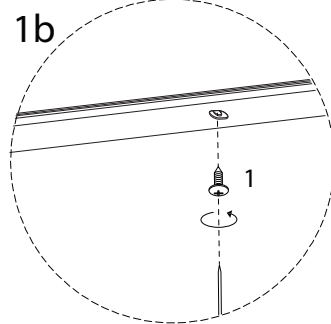
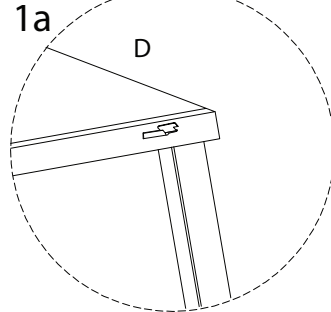
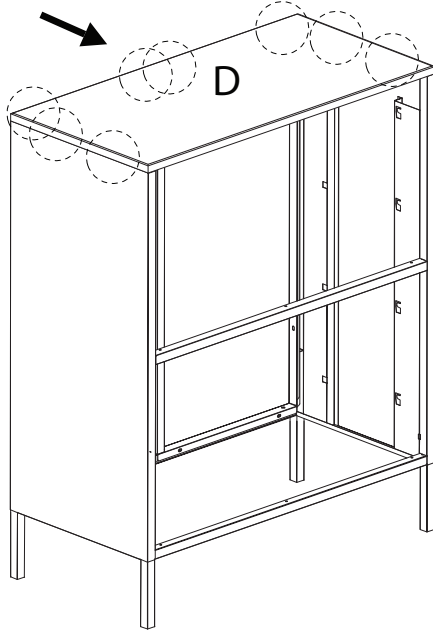
7

1
M5
x
12
x 8

D



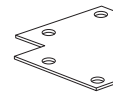
x 1



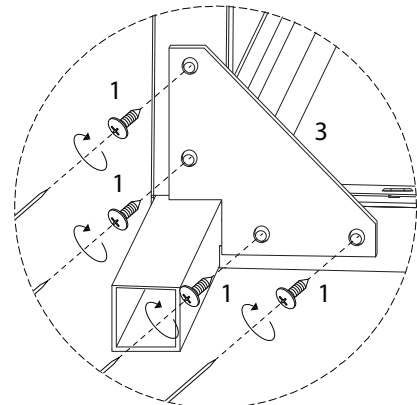
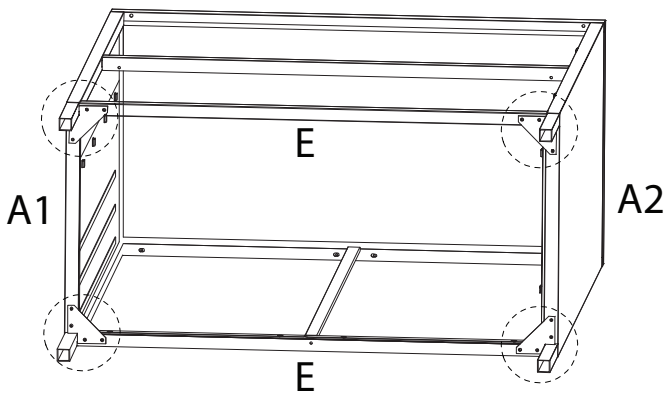
8

1
M5
x
12
x 16

3

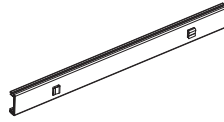


x 4

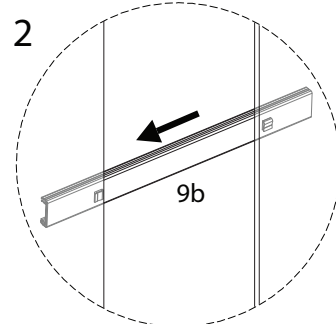
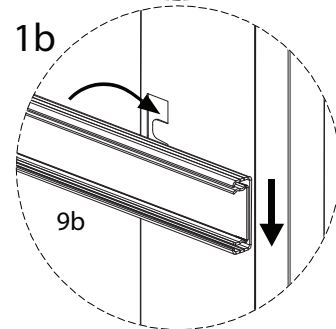
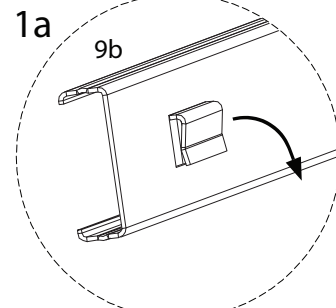
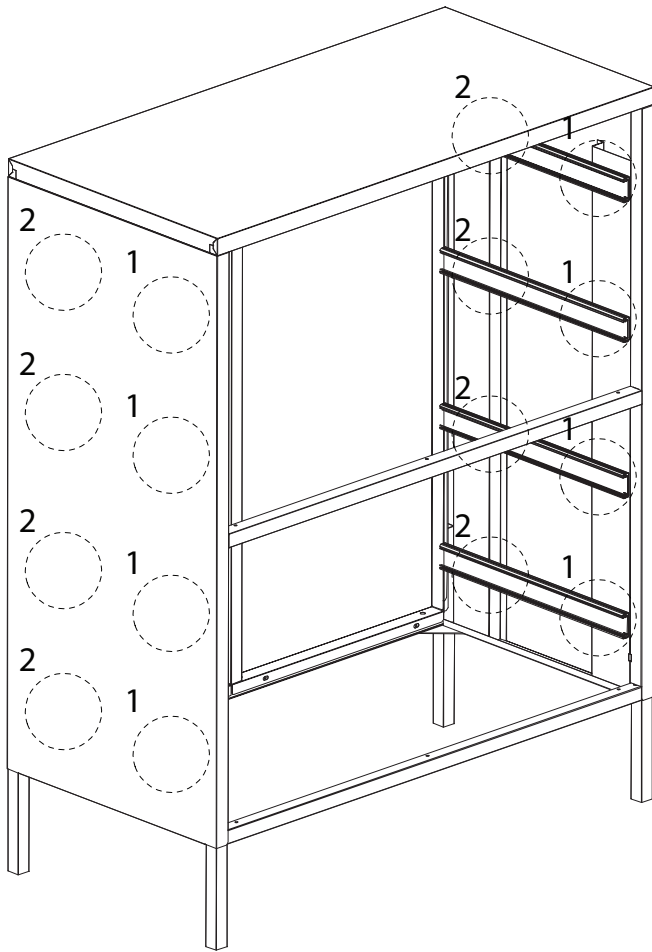


9

9b



x 8



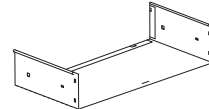
10 x 4

9a

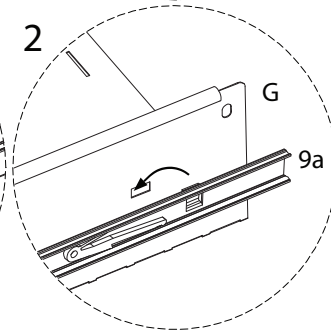
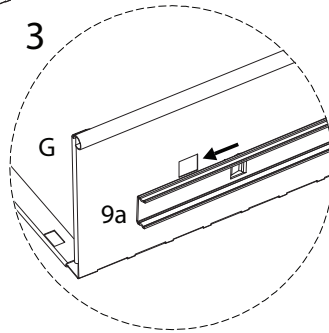
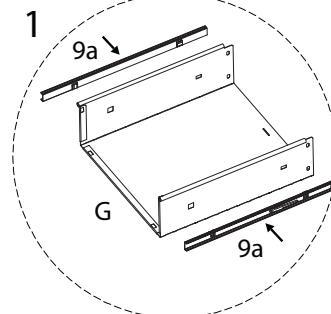
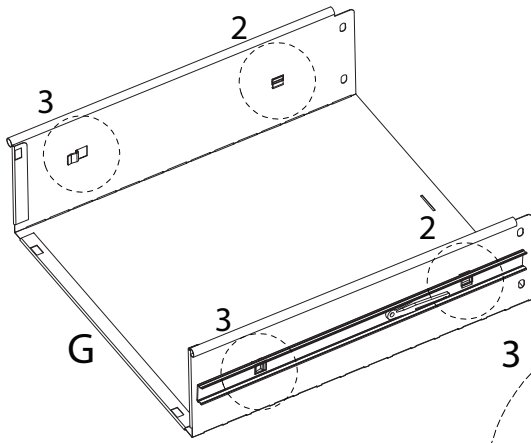


x 2

G

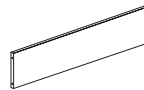


x 1

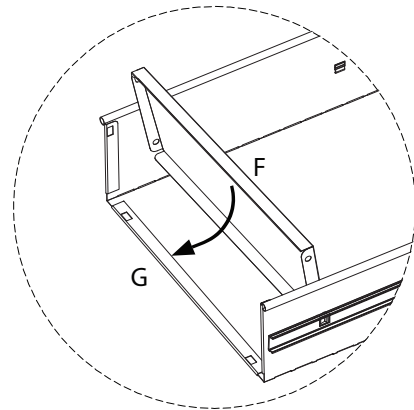
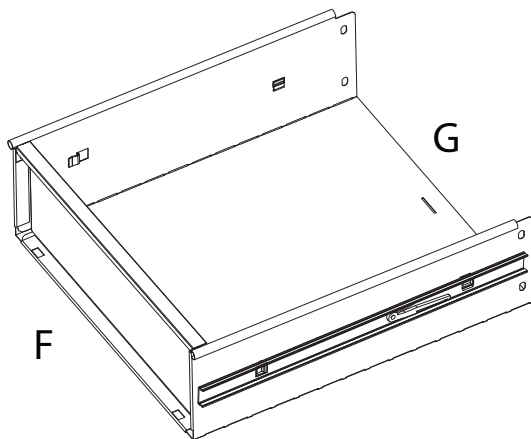


11 x 4

F



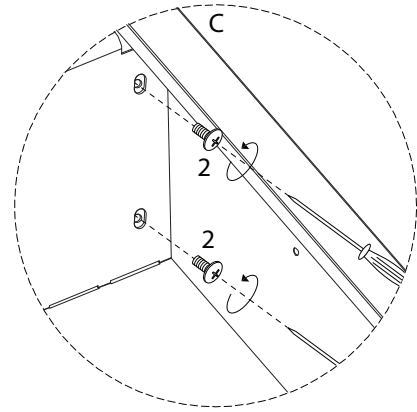
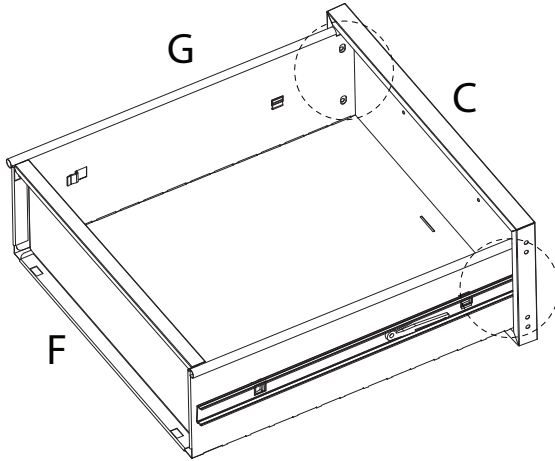
x 1



12 x 4

2
M5
x
10
x 4

C
x 1

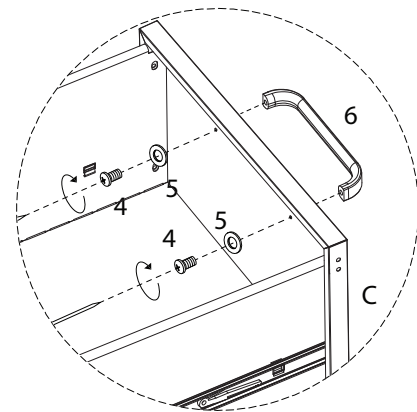
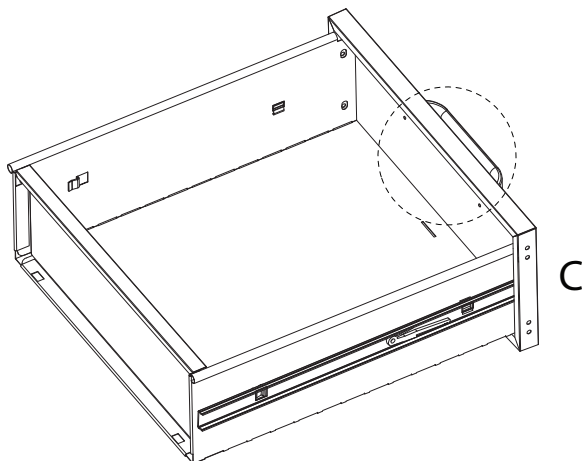


13 x 4

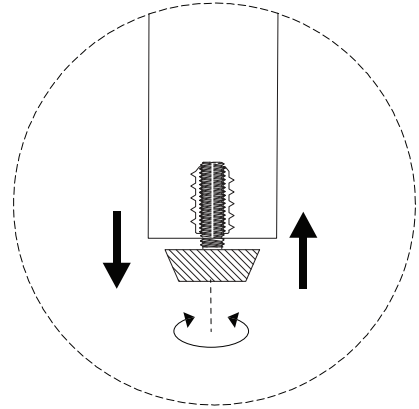
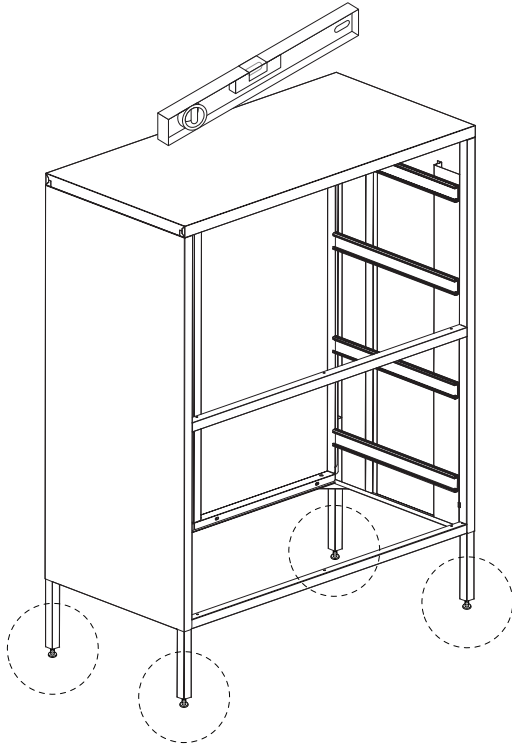
4
M4
x
4
x 2

5
x 2

6
x 1



14



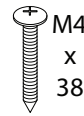
15

7

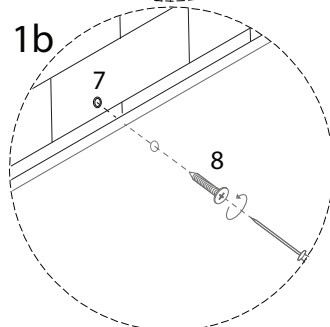
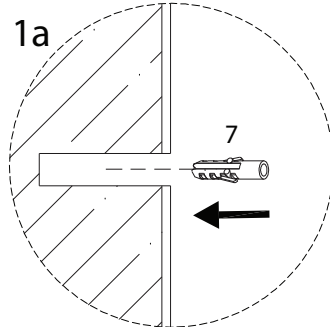
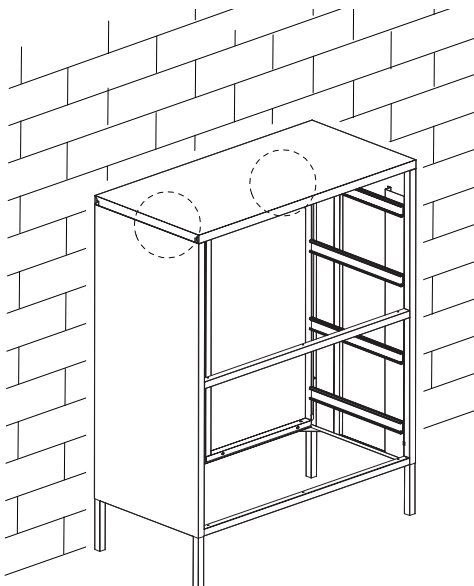


x 1

8



x 1



16

