

Assembly Directions for Conversation and 38" Round Table

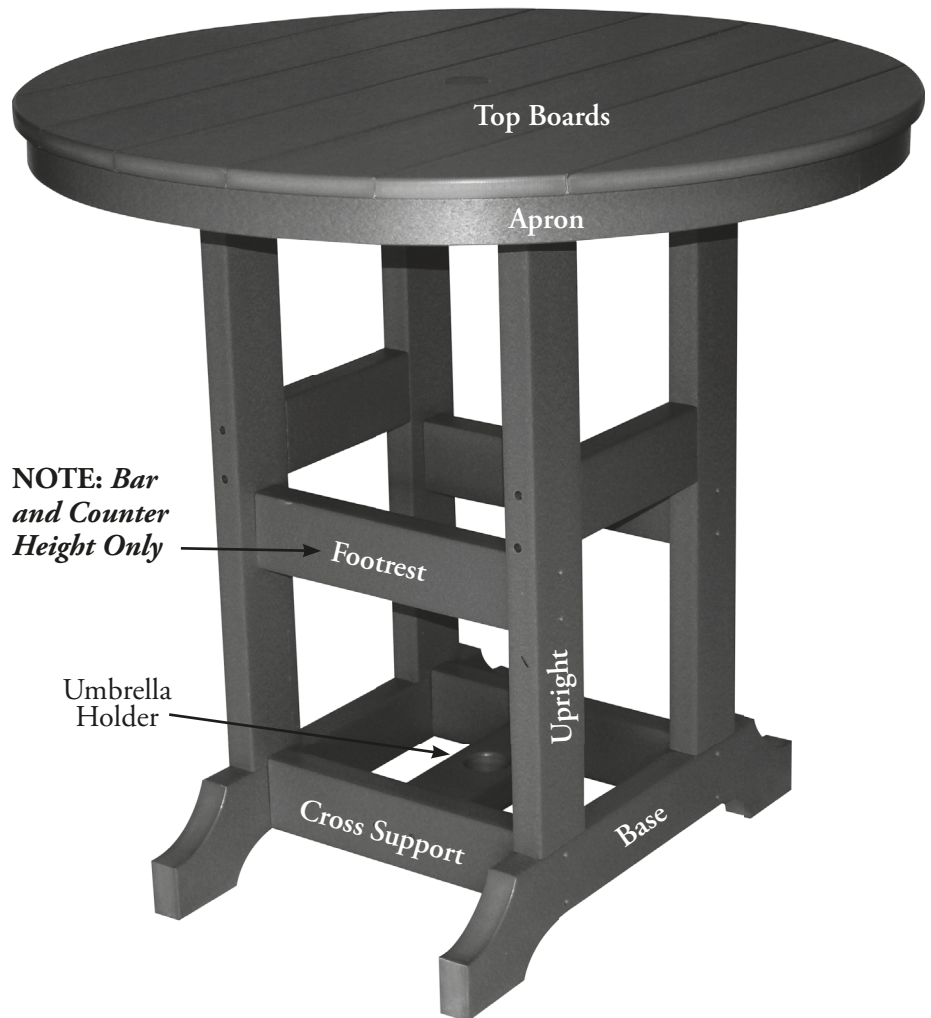
#GMRT0038D, #GMRT0038C, #GMRT0038B, #GCRT0038D, #GCRT0038C, #GCRT0038B, #PRCT0018



*Garden Classic
Rose II Table*



Round Conversation Table

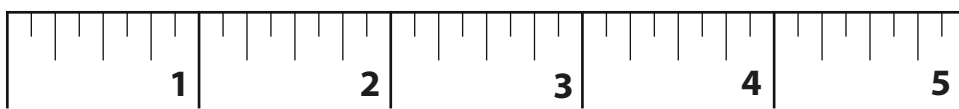


**NOTE: Bar
and Counter
Height Only**

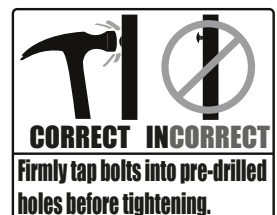
PACKAGE CONTENTS	
1	Top
2	Bases
1	Cross Support
2	Footrests (Bar and Counter Height Only)
4	Braces
1	Hardware Package

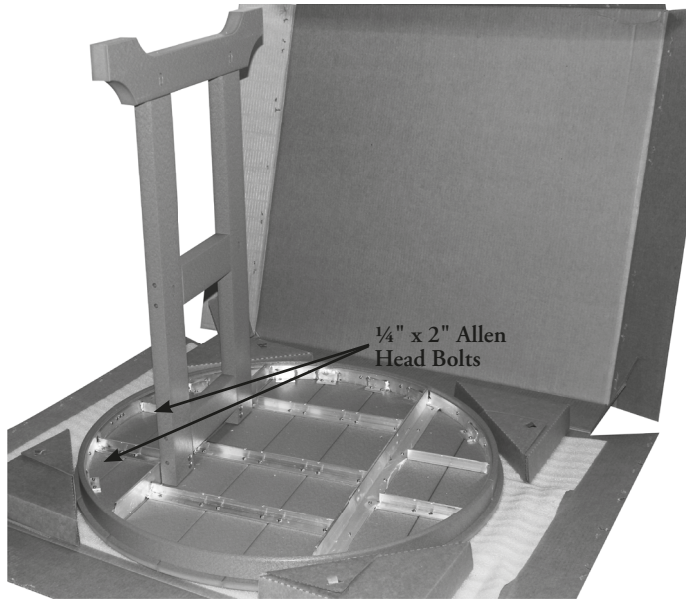
TOOLS NEEDED:
Hammer
$\frac{7}{16}$ " Wrench
Cordless Drill/Screwdriver
Allen Wrench (Included)

HARDWARE PACKAGE	
8	$\frac{1}{4}$ " x 2" Allen Head Bolts
8	$\frac{1}{4}$ " Flange Nuts
2	Umbrella Knobs
16	3" Screws
1	Allen Wrench

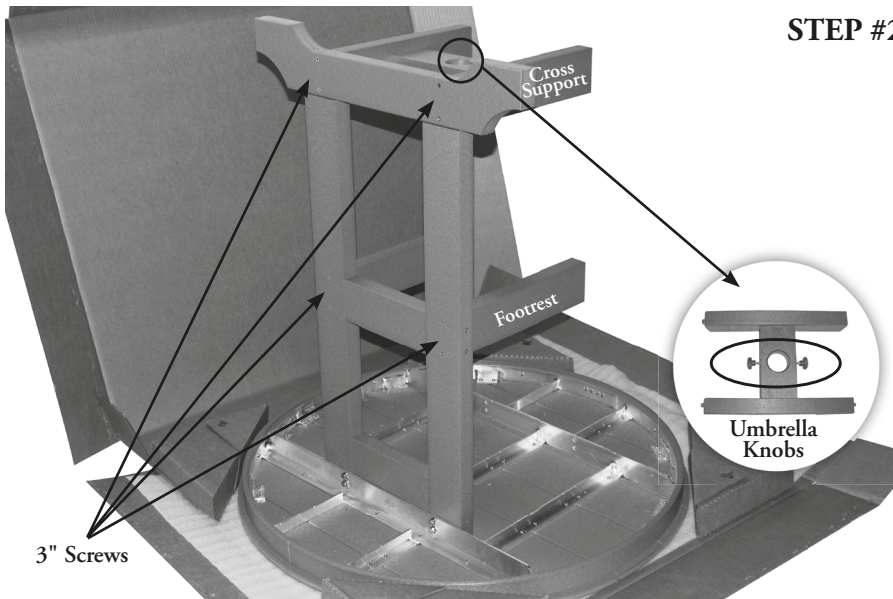


Use to measure bolts

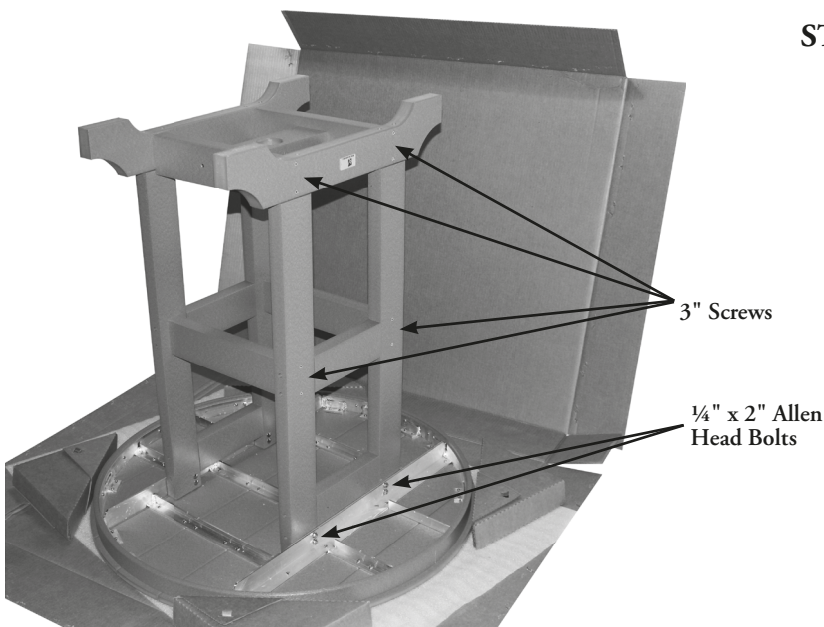




STEP #1 - Fasten one Base to the Aluminum Frame of the Top using 4- 1/4" x 2" Allen Head Bolts and 4- 1/4" Flange Nuts.



STEP #2 - First attach the Cross Support to the Base using 3" screws. Second attach the two Footrests to the Base using 3" screws (counter and bar height only).



STEP #3 - First fasten the Second Base to the Aluminum Frame of the Top using 4- 1/4" x 2" Allen Head Bolts and 4- 1/4" Flange Nuts. Second fasten the Footrests and Cross Support to the Base using 3" Screws.