

KITCHEN FAUCET

Read this manual carefully before use and keep it for future reference.

User Manual

Thank you for purchasing our Kitchen Faucet. It is a touchless kitchen faucet with multi-flow modes and 360° spout.

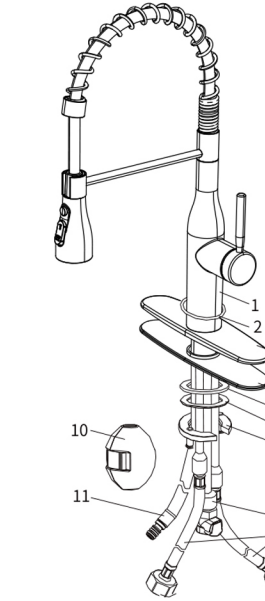
Contents

- 1.PRODUCT OVERVIEW -----02
- 2.PACKAGE CONTENT -----03
- 3.BEFORE INSTALLATION -----04
- 4.INSTALL THE FAUCET -----05
- 5.NOTE AND MAINTENANCE -----07
- 6.SPECIFICATIONS -----08

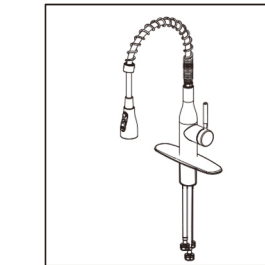
1.PRODUCT OVERVIEW

- 1.Faucet assembly
- 2.Base O-ring
- 3.Steel basement(Deck plate)
- 4.Basement mat(Deck mat)
- 5.Rubber gasket
- 6.Steel gasket
- 7.Locking nut
- 8.Quick connect inlet hose
- 9.Cold and hot water inlet hose
- 10.Weight(counterweight)
- 11.Pull hose

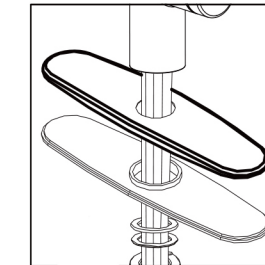
Carefully check package contents, if anything is missing or damaged, please contact online customer service for support. Email: After-Sales-Service-Desk@outlook.com



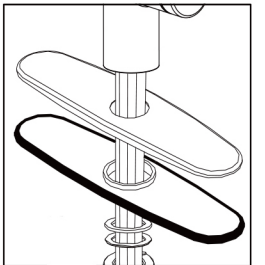
2.PACKAGE CONTENTS



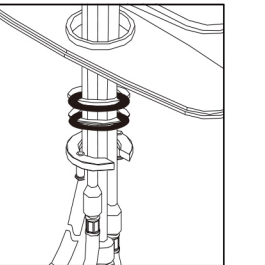
Pre-assembled Faucet ×1



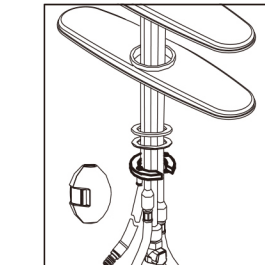
Steel Basement ×1



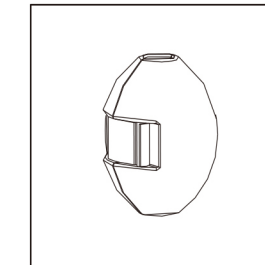
Basement Mat ×1



Steel Gasket ×1



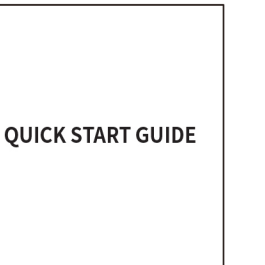
Pre-assembled Faucet ×1



Steel Basement ×1



Basement Mat ×1

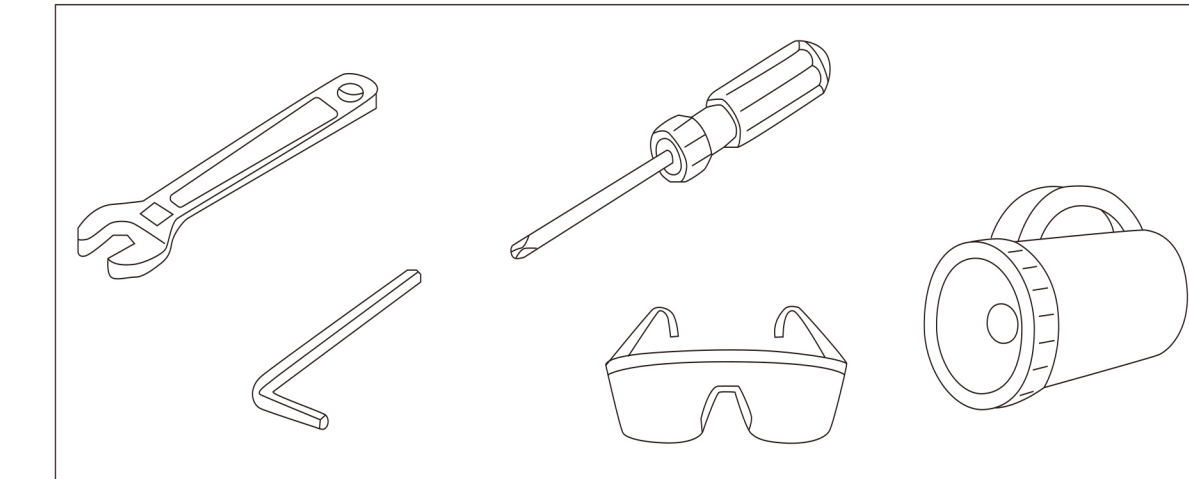


Steel Gasket ×1

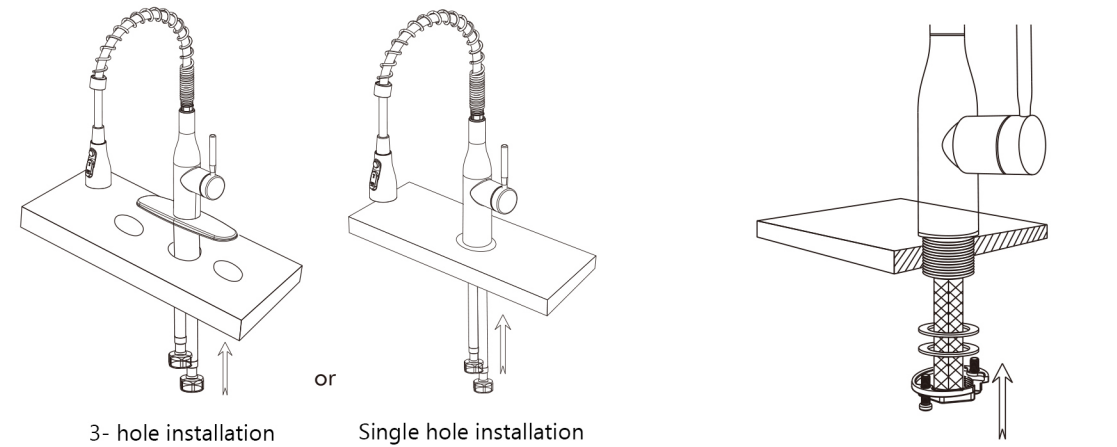
3.BEFORE INSTALLATION

- 1. The product has been inspected, debugged and disassembled according to the instructions.
- 2. Before installation, the dirties in the wall-embedded water pipes must be removed to ensure normal water flow.
- 3. The installation hole on the countertop should be between 33mm to 38mm, and the distance between the middle hole and the wall must be greater than 120mm. (Installation tool: wrench).

You May Need(Not included)



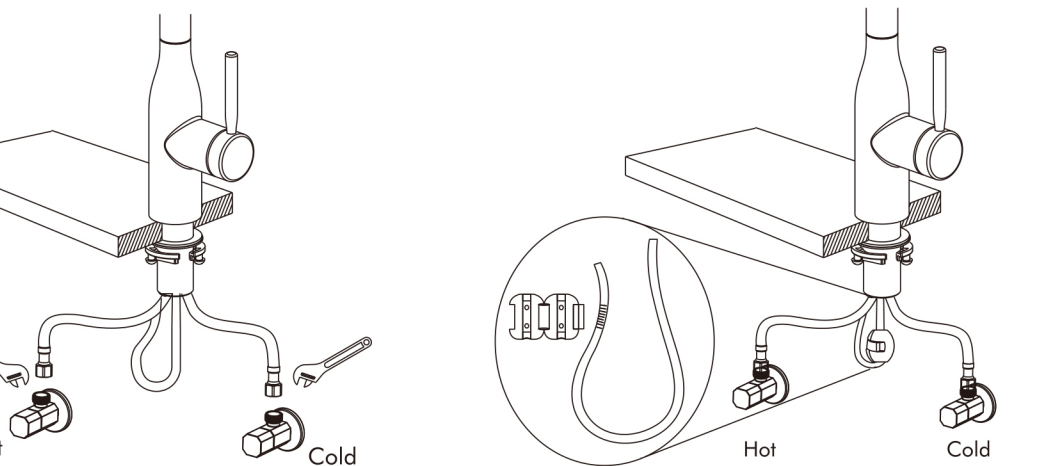
4. INSTALL THE FAUCET



1. Insert faucet into countertop. If a three hole counter, use the center hole.

2. Screw in the steel gasket and the locking nut by hands, and then lock the locking nut with a cross screw-driver.

4. INSTALL THE FAUCET



3. Using a crescent wrench, connect the hot water hose (red) and the cold water hose (blue) to the water supply on the wall.

4. Unlock the weight and clasp it to the mark on the cord as shown. Check for leaks.

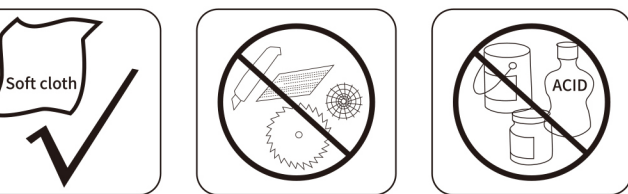
5. NOTE AND MAINTENANCE

Incorrectly installed or unapproved clip and hose may cause water leaks and property damage. Follow instructions to install hose and clip provided with this faucet.

1. Care should be given to the cleaning of this product. Although its finish is extremely durable, it can be damaged by harsh abrasives or polish. To clean, simply wipe gently with a damp cloth and blot dry with a soft towel.

2. Before using this product, please turn on the cold water first, and then turn on the hot water to avoid scalding.

3. We suggest that you clean the surface of your faucet as shown. Do not use acid detergents and abrasive cleansers.



6. SPECIFICATIONS

Performance index	Items	Specifications
Dimensions	L × W × H (inch)	9.8" * 11.0" * 16.9"
Main parameters	Mounting hole	1 or 3
	Main body material	SUS 304 stainless steel
	Spout rotates degree	360°
	Indicator markings	Red/Blue
	3 modes	Stream /Spray/ Blade Sweep

THANK YOU