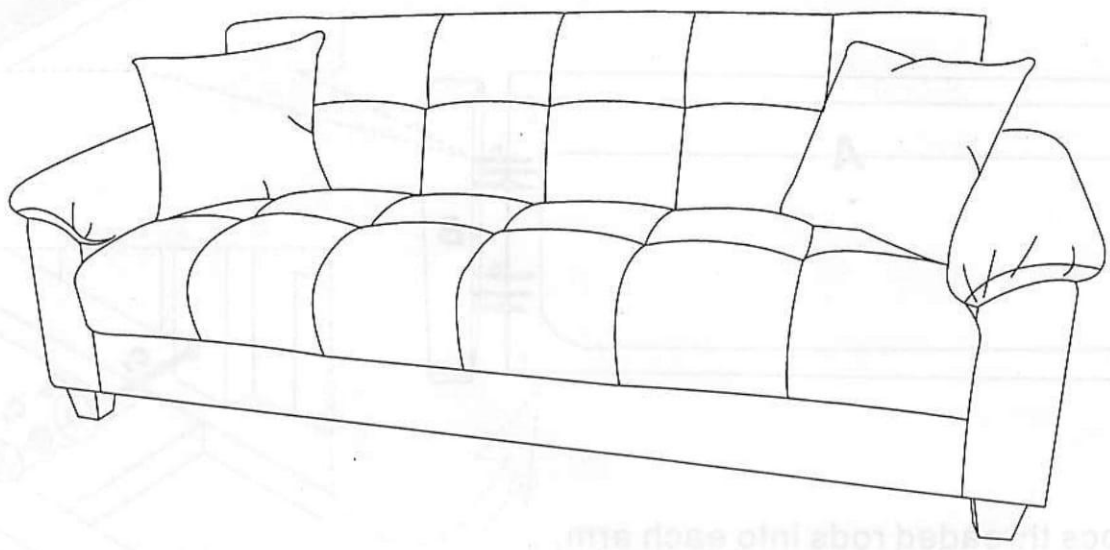
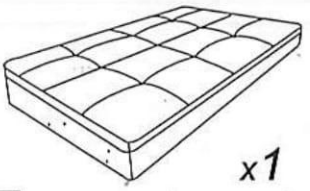
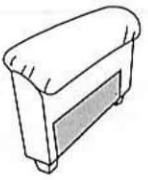
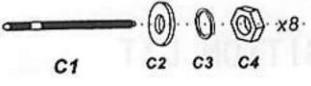

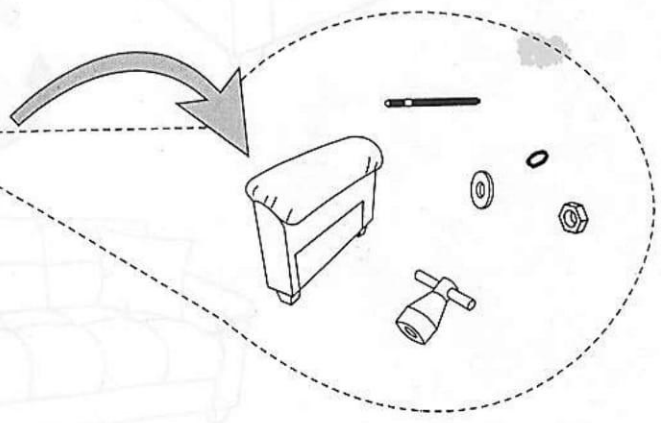
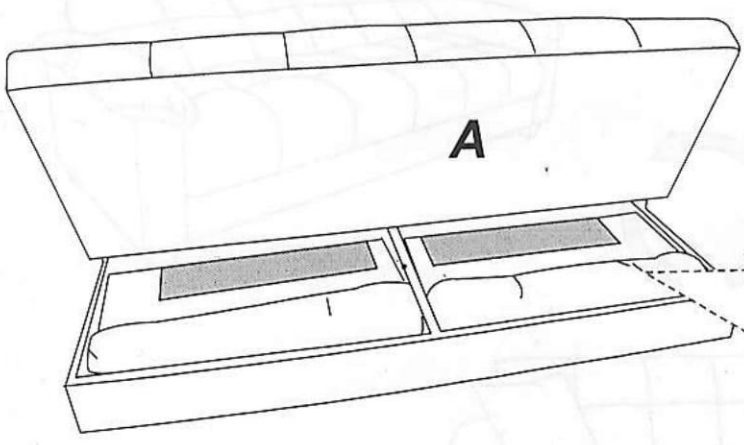


Assembly Instructions



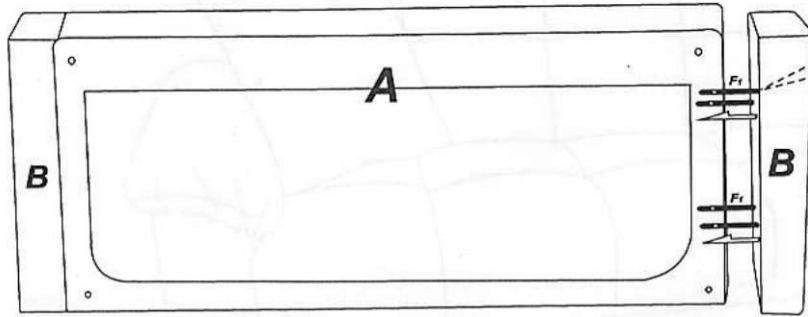
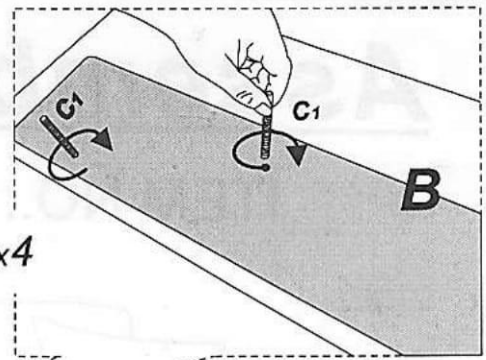
PARTS LIST

 <p>A x1</p>	 <p>B x2</p>	 <p>C C1 C2 C3 C4 x8</p>	 <p>D x1</p>
---	--	---	--

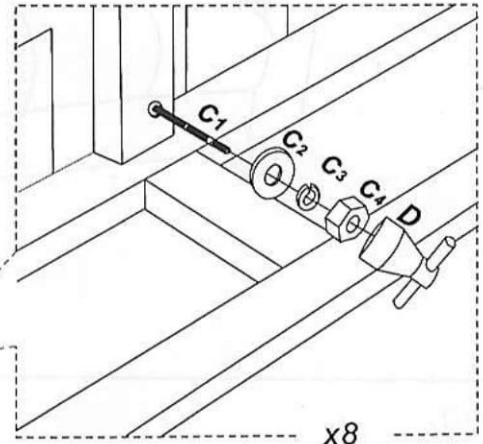


Take out two ARMRESTS contained in the storage of the SEAT as shown below.

With the assistance of another adult, place sofa upside down onto a clean, padded surface.



Insert 4pcs threaded rods into each arm, and then mount it onto the seat frame by tightening nut with spring washer & flat washer as shown using a wrench.



BED POSITION/POSITION LIT

