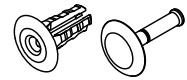
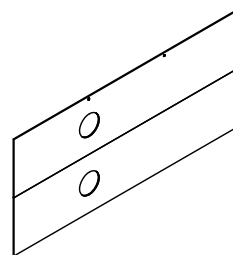
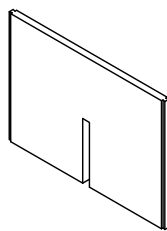
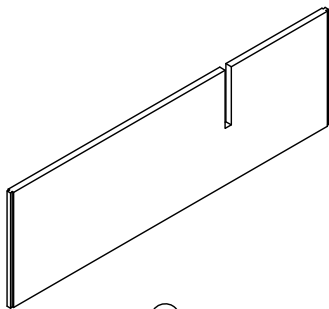
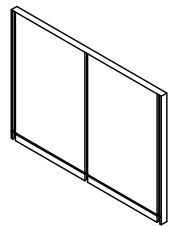
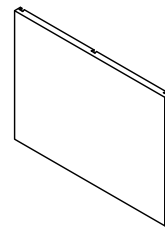
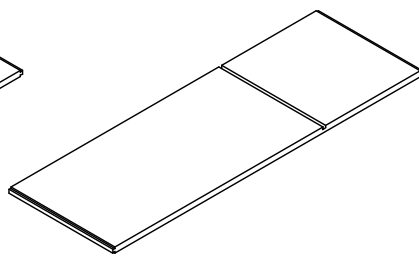
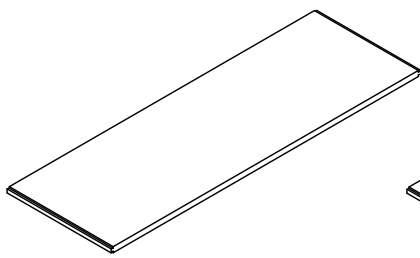
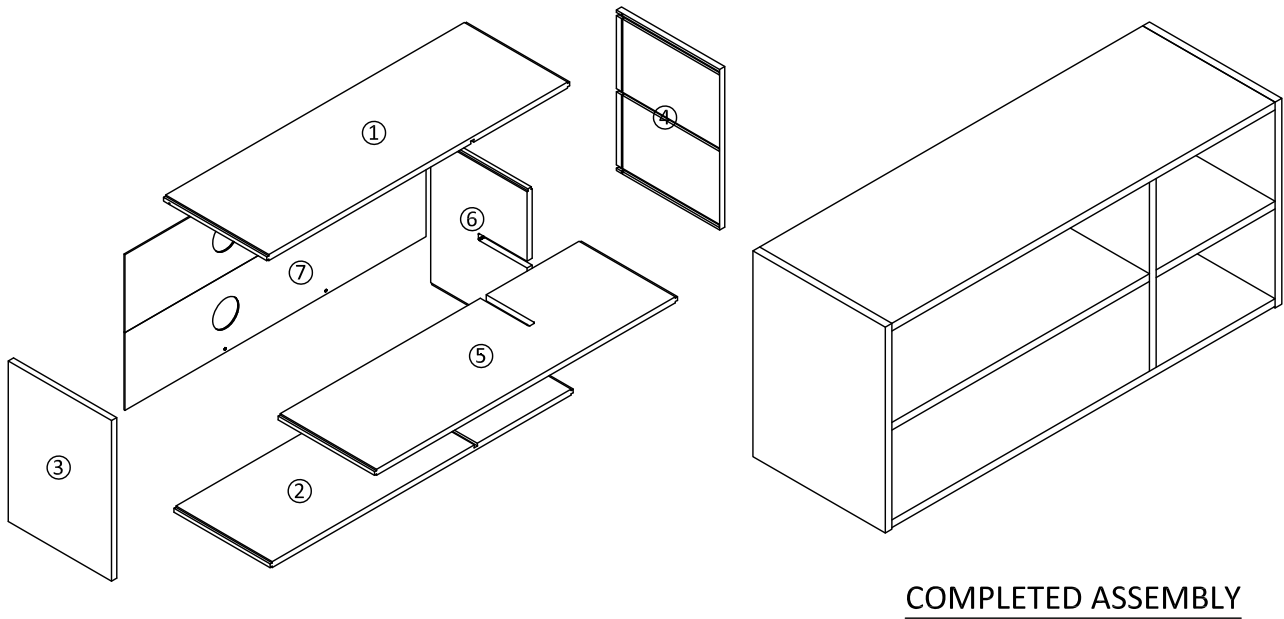


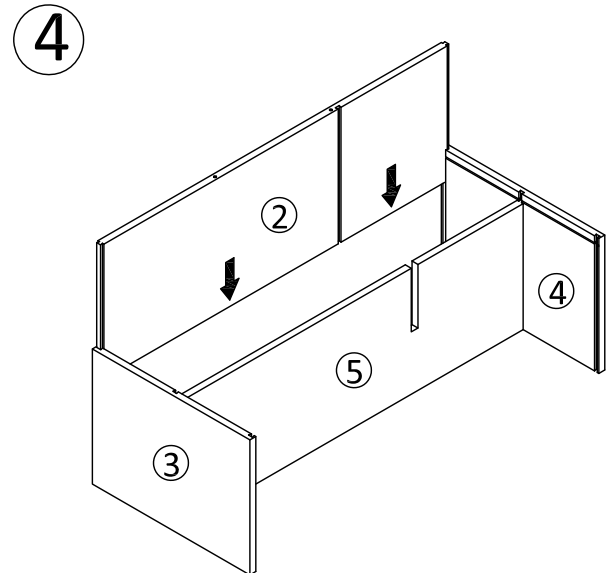
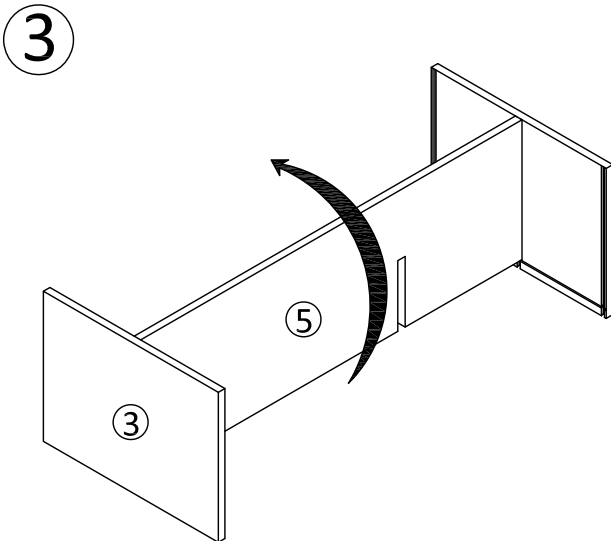
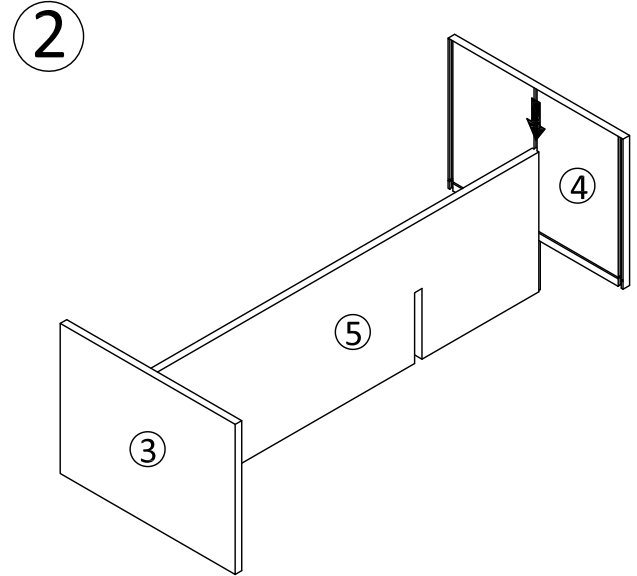
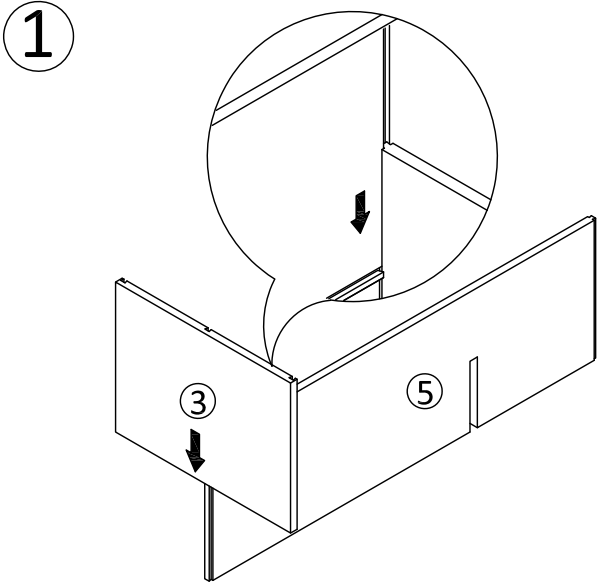
ASSEMBLY INSTRUCTIONS

MODEL : TV STAND

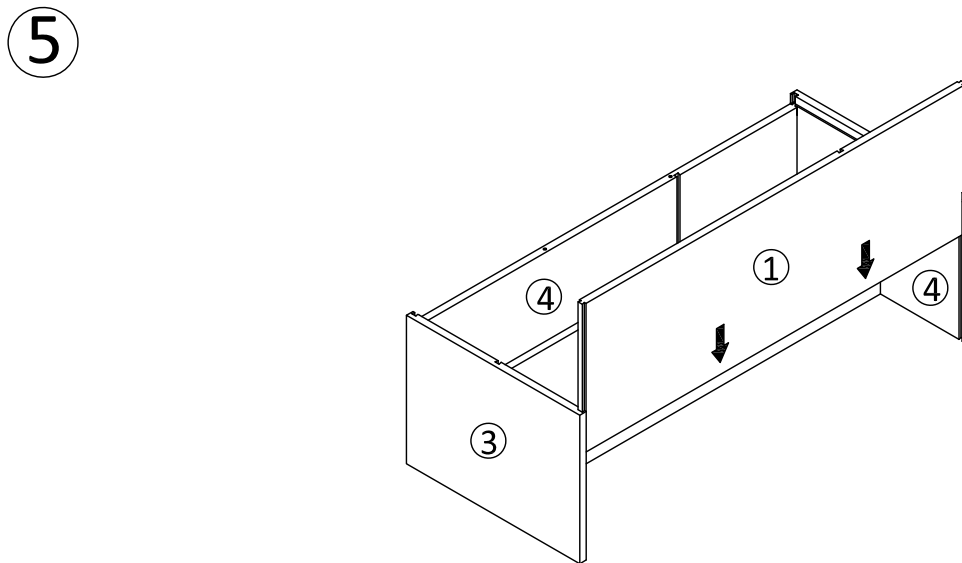


ASSEMBLY INSTRUCTIONS

MODEL : TV STAND

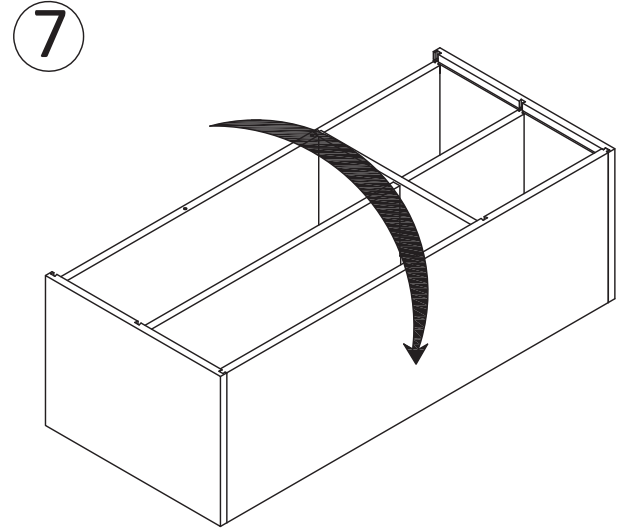
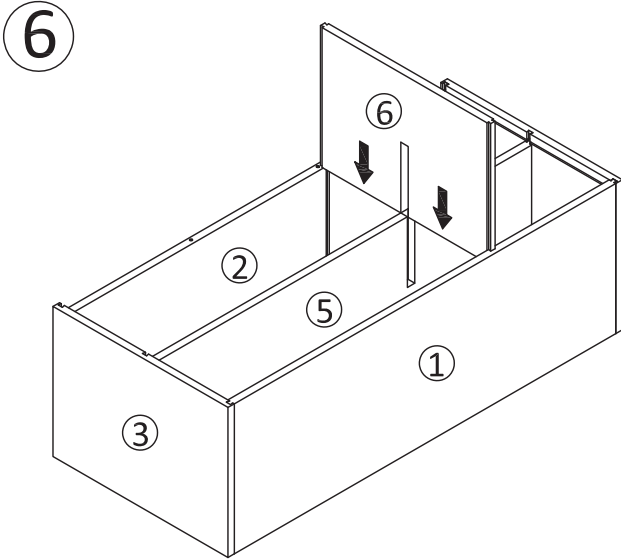


Rotate 180° For the next step assembly as shown



ASSEMBLY INSTRUCTIONS

MODEL : TV STAND



Rotate 90° For the next step assembly as shown

