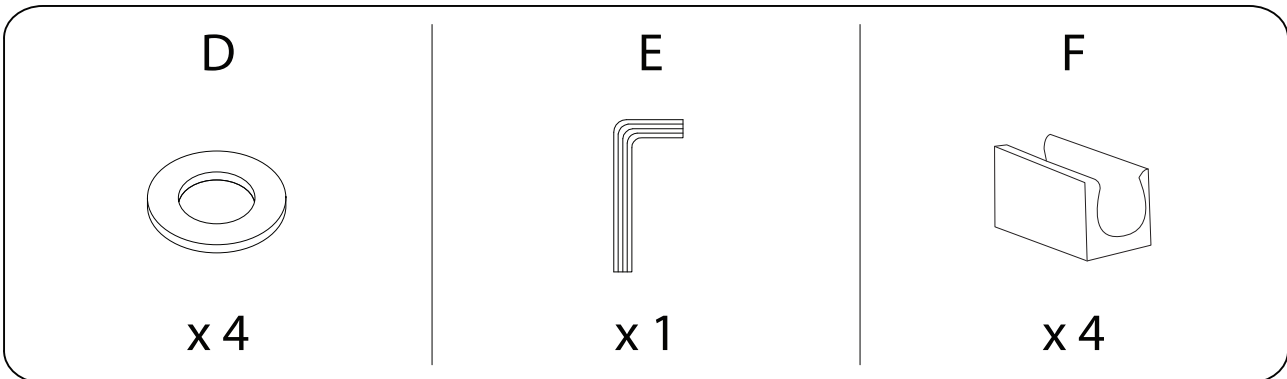
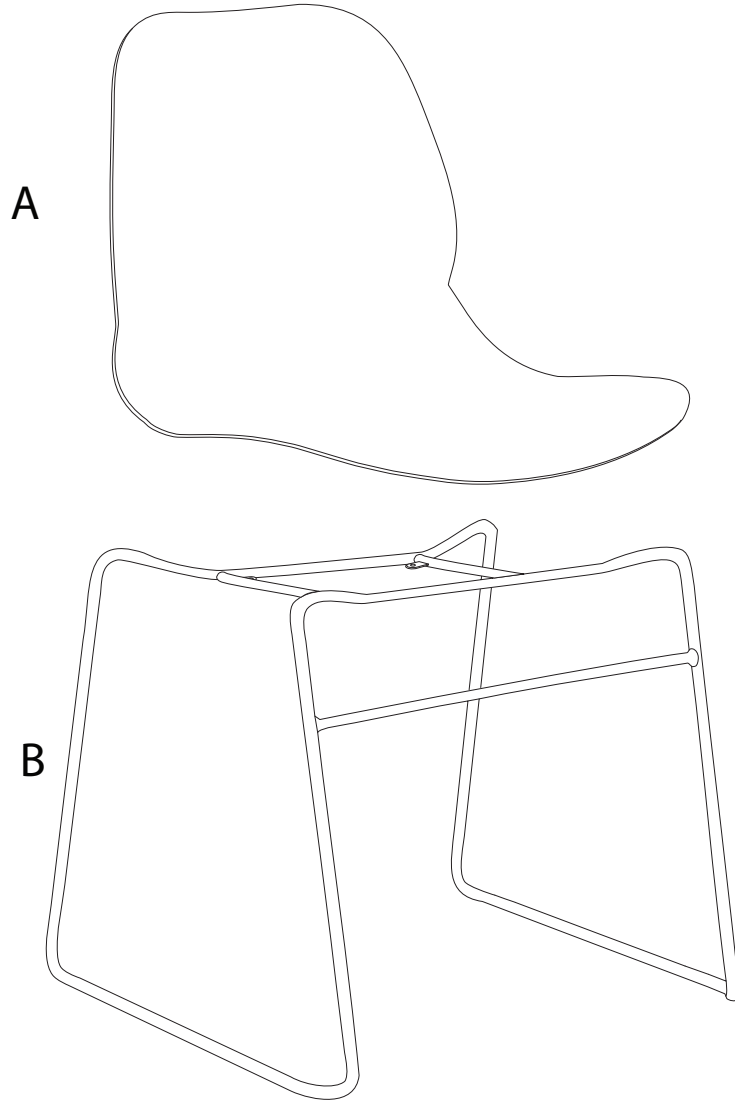
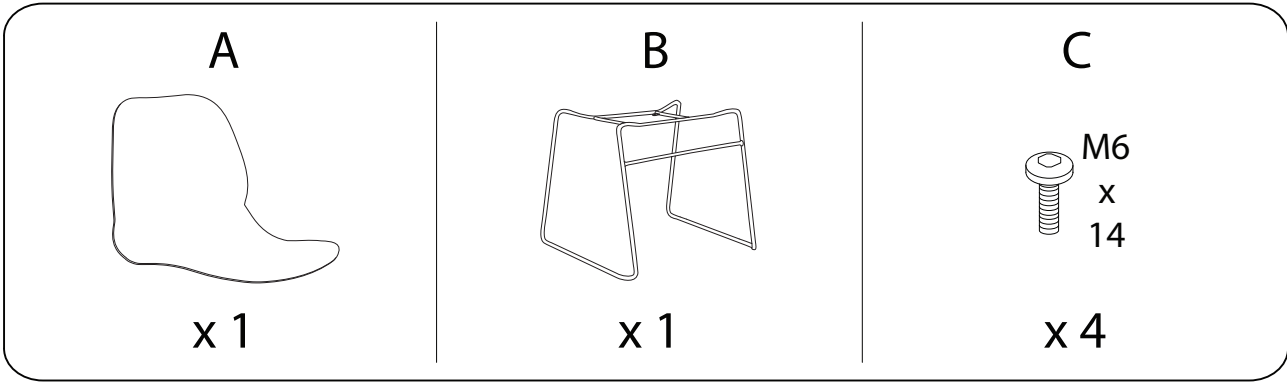
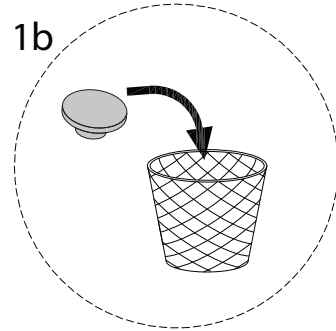
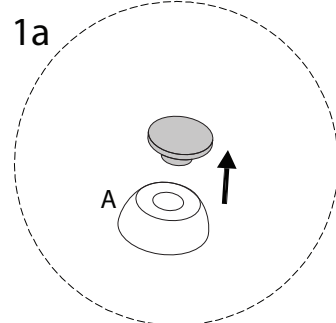
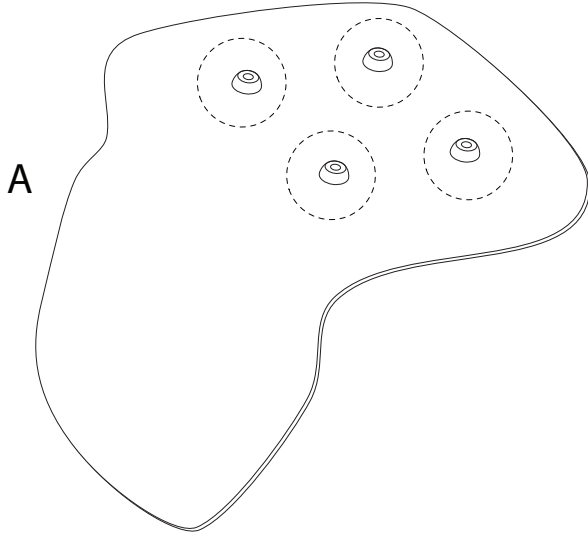


Diagram illustrating safety instructions for assembly:

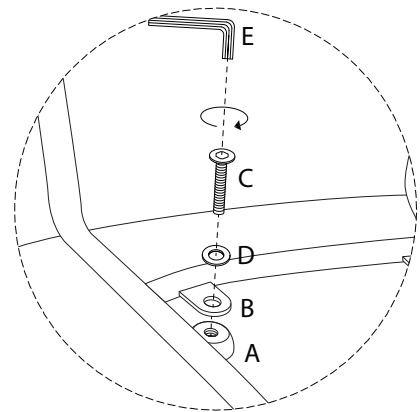
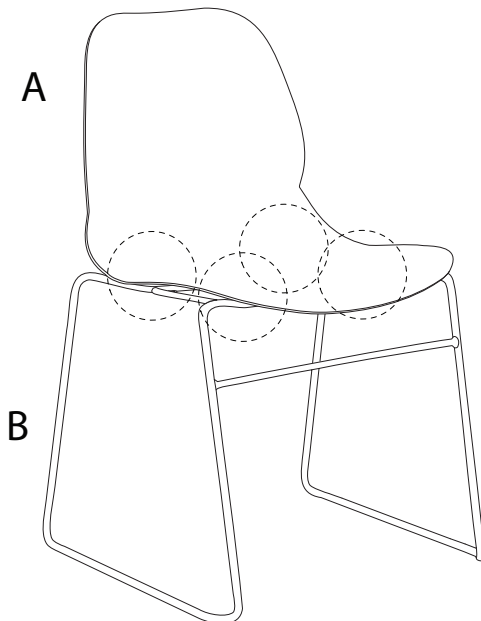
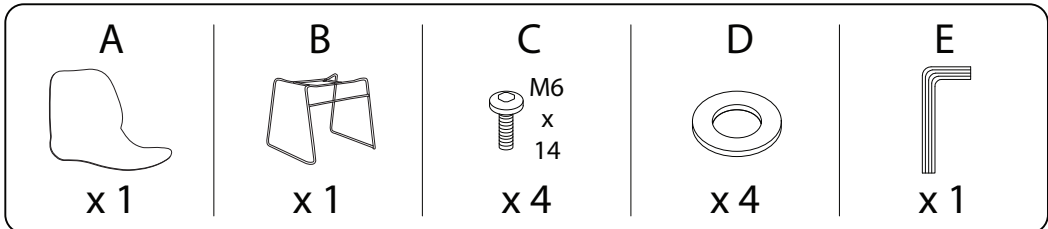
- Top Section:** Shows an L-shaped metal bracket and a power drill with a diagonal line through it, indicating that a power drill should not be used. A warning triangle with an exclamation mark is positioned to the right. Below this is a clock icon and the text "10'", indicating a 10-minute time limit.
- Bottom Section:** Shows a rectangular block being placed on a surface with a diagonal line through it, indicating that the block should not be placed on a soft or uneven surface. A warning triangle with an exclamation mark is positioned to the right. Below this is a person icon and the text "2", indicating that two people are required for assembly.



!

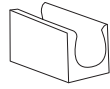


1



2

F



x 4

