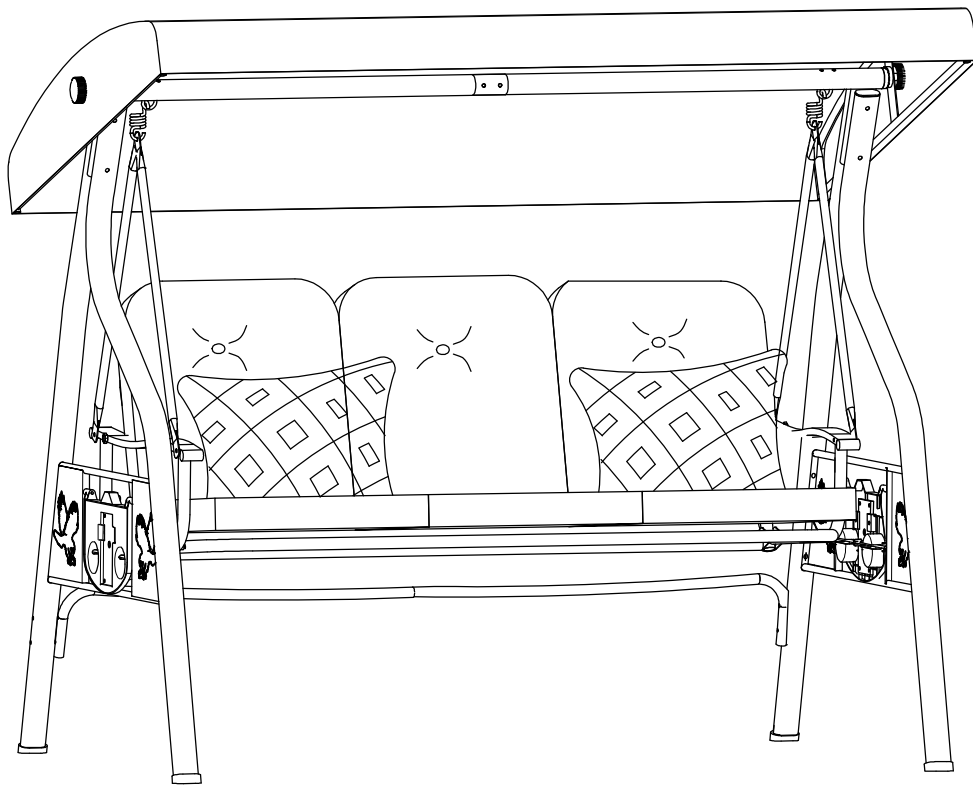


PATIO SWING

ASSEMBLY INSTRUCTION



If you have any questions, feel free to email us.

THANK YOU

Register and Get the Full Benefit

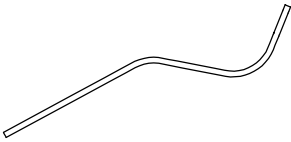
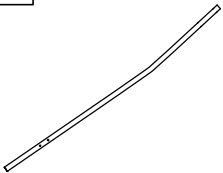
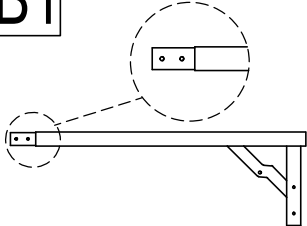

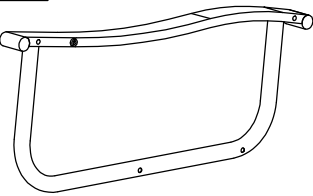
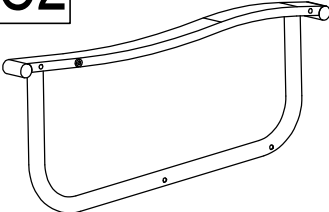
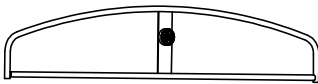
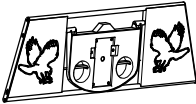

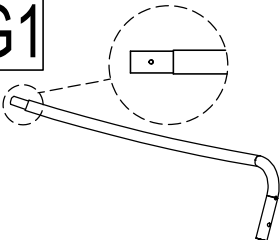
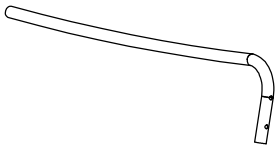
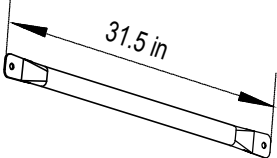


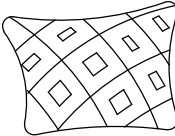
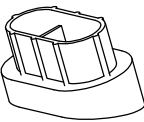
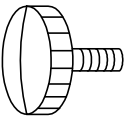
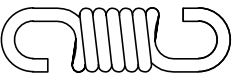
It's our way of saying thank you.

Register your product to enjoy a number of benefits:

- (1) 1-year warranty extension
- (2) 24/7 quicker service and product support
- (3) Chance to test new products for free
- (4) Get specific discount on shop items

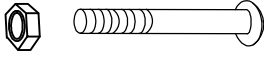
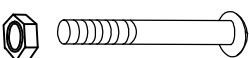
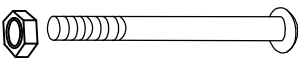
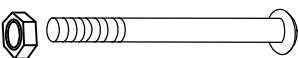
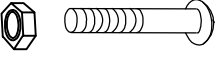
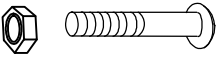
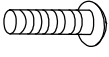
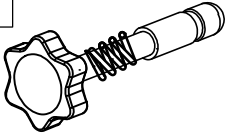



Assembly Instruction

Parts List

A1 	A2 	B1 	B2 
2PCS	2PCS	1PC	1PC
C1 	C2 	D 	E 
1PC	1PC	2PCS	2PCS
F 	G1 	G2 	H 
1PC	1PC	1PC	4PCS
I 	J 	K 	L 
1PC	3PCS	2PCS	4PCS
M 	N 		
2PCS	2PCS		

Assembly Instruction

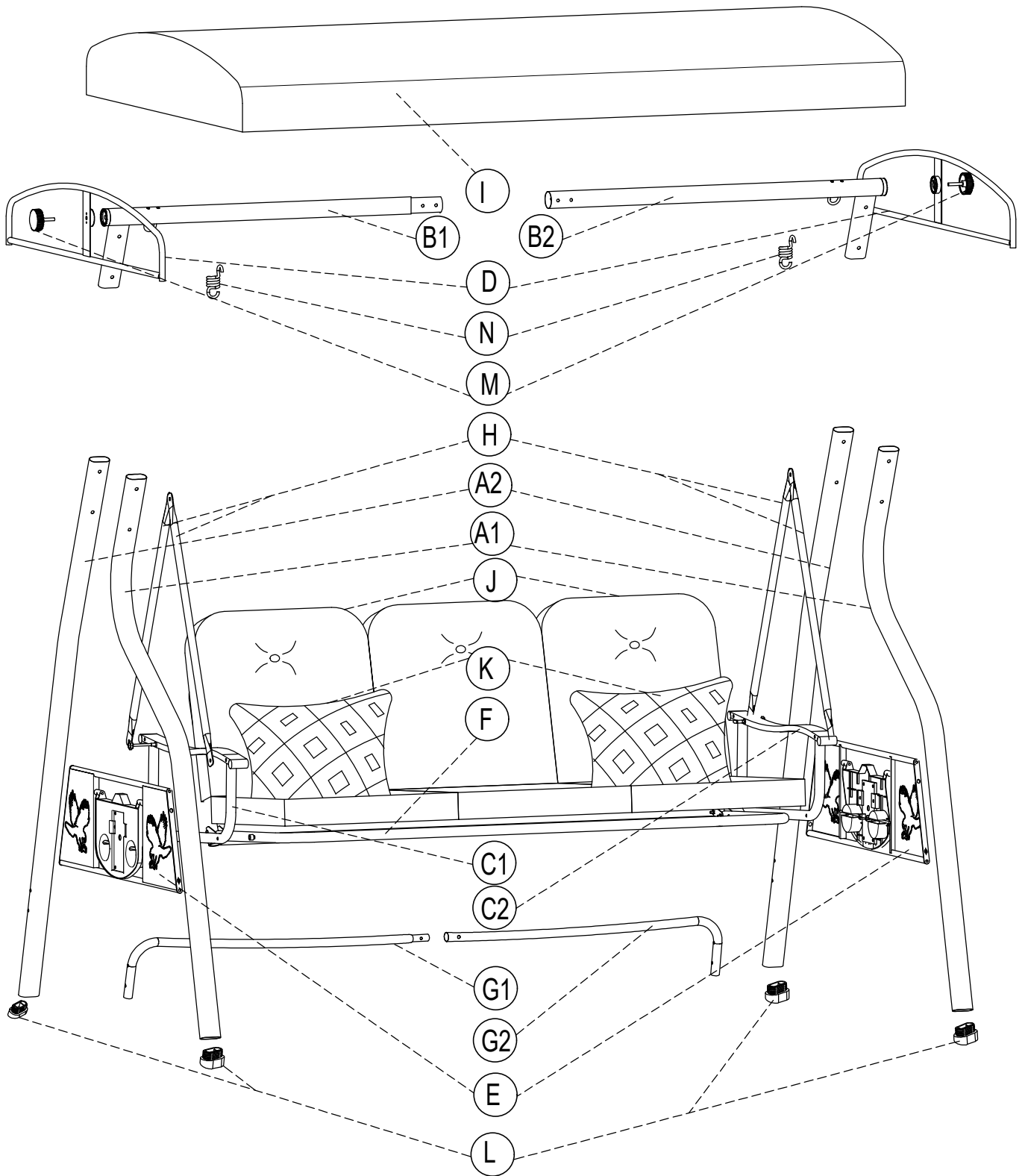
Parts List

#1	 M8*75mm 4PCS	#2	 M6*55mm 2PCS	#3	 M8*100mm 4PCS	#4	 M6*90mm 4PCS
#5	 M8*65mm 4PCS	#6	 M6*30mm 1PC	#7	 M6*15mm 8PCS	#8	 2PCS
#9	 4PCS	#10	 Wrench(M6-M8) 1PC	#11	 1PC		

DANGER

1. Please assemble according to the installation steps in the manual.
2. During the assembly process, please tighten the screws by 80%. After all the screws are assembled, they can be tightened by 100%.
3. During assembly, please install it on the carpet or soft grass to avoid product damage. Thank you.

Assembly Instruction



Assembly Instruction

STEP1

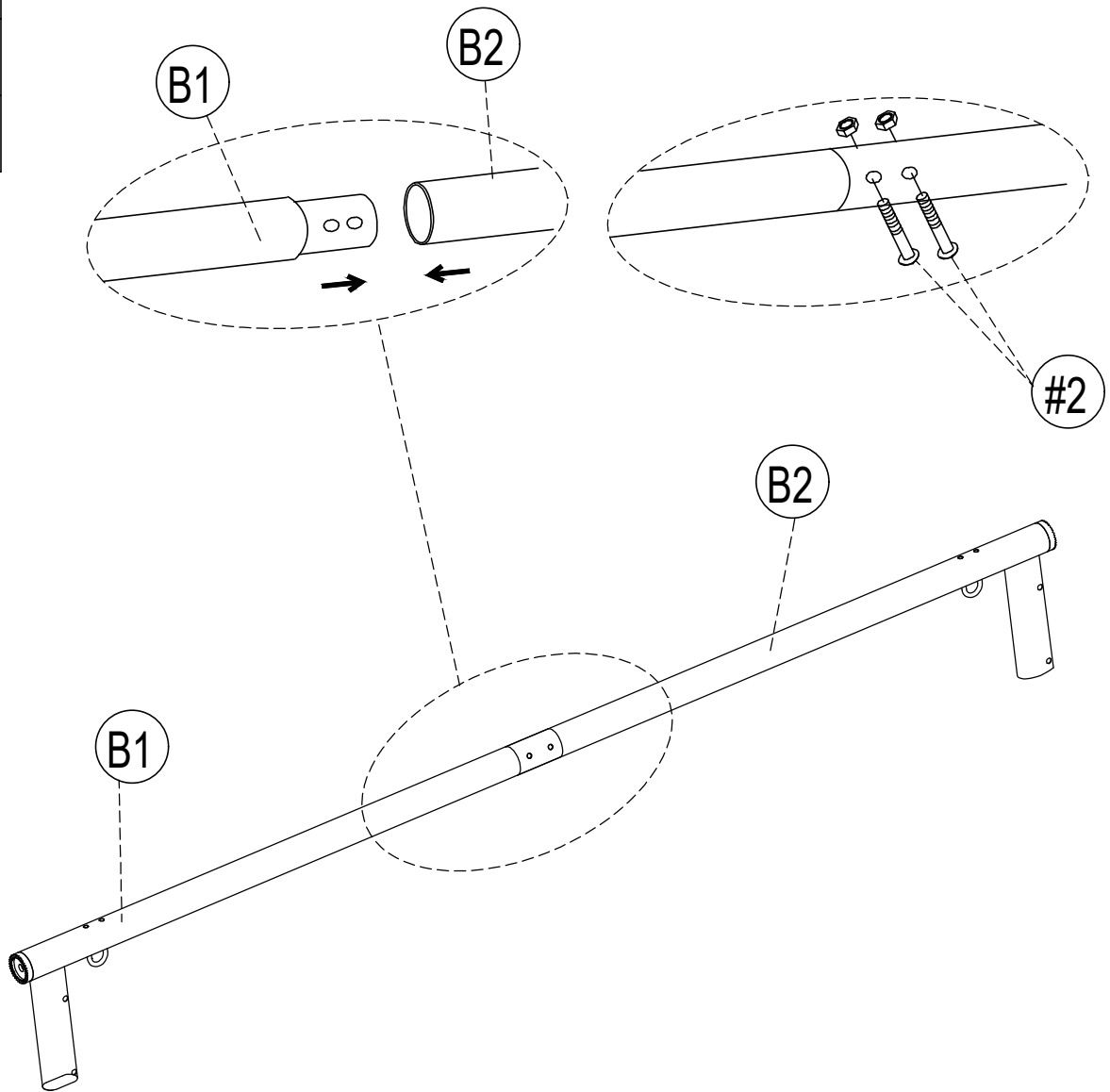
B1*1

B2*1

#2*2

#10*1

#11*1



Assembly Instruction

STEP2

A1*2

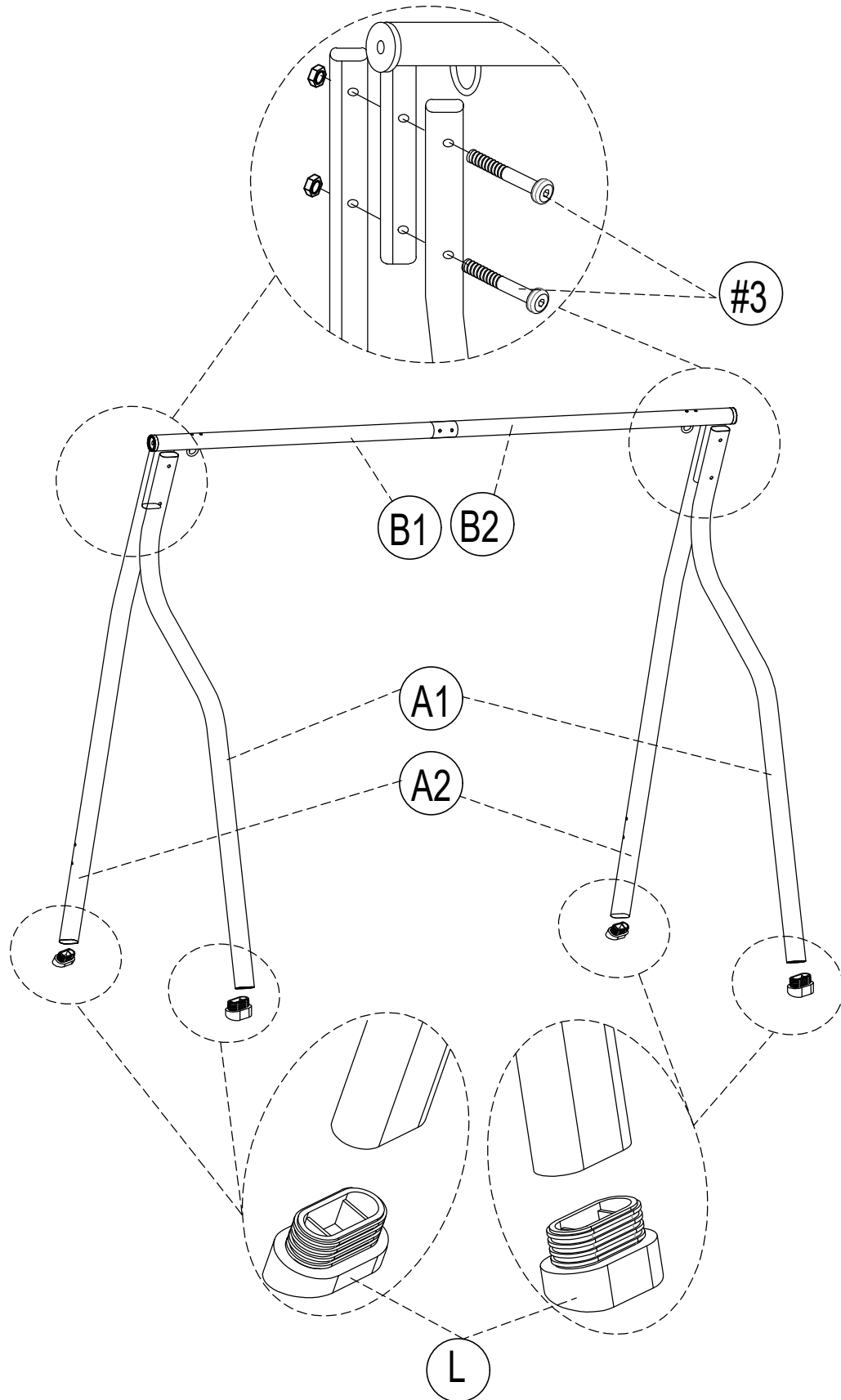
A2*2

L*4

#3*4

#10*1

#11*1



Assembly Instruction

STEP3

G1*1

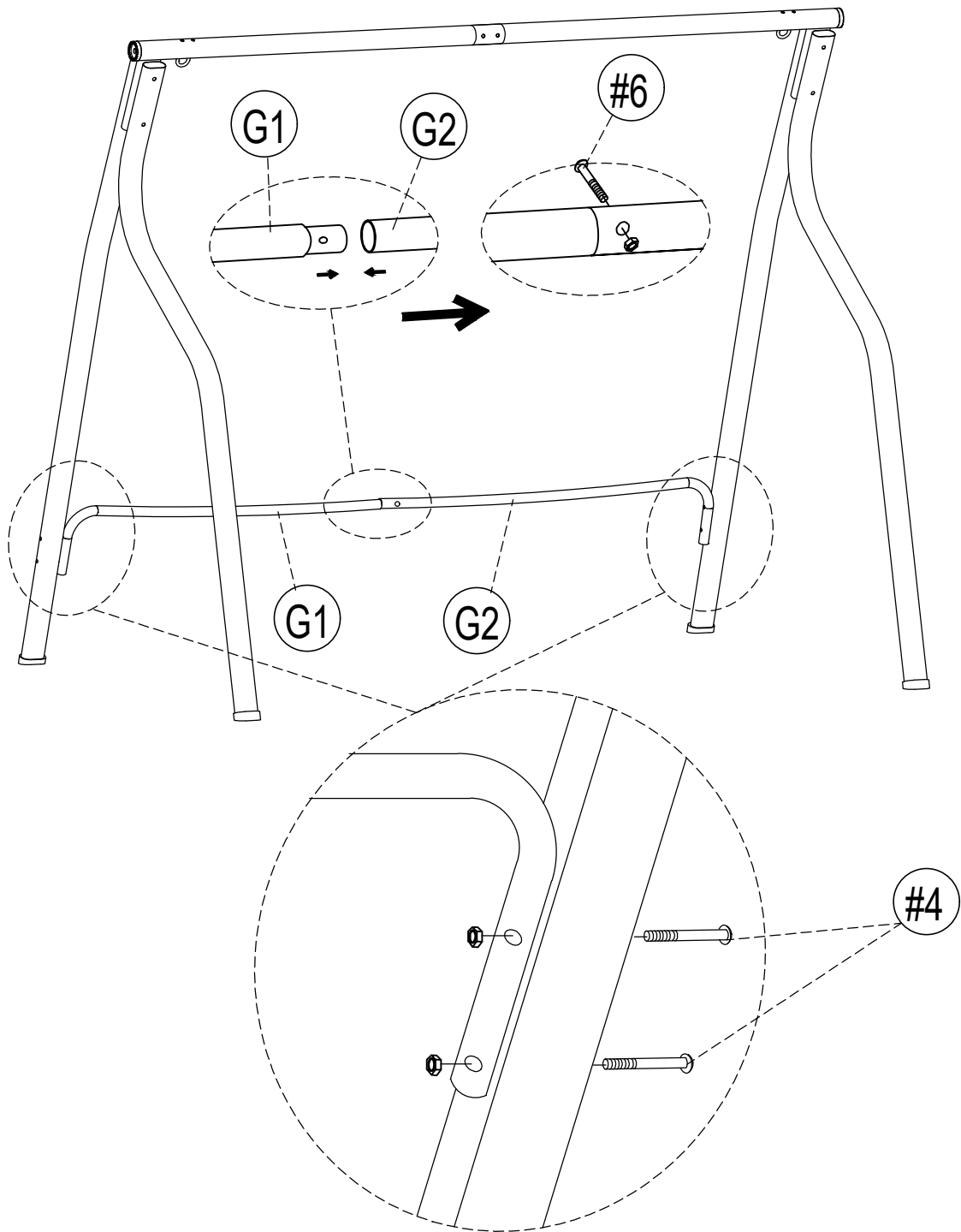
G2*1

#4*4

#6*1

#10*1

#11*1



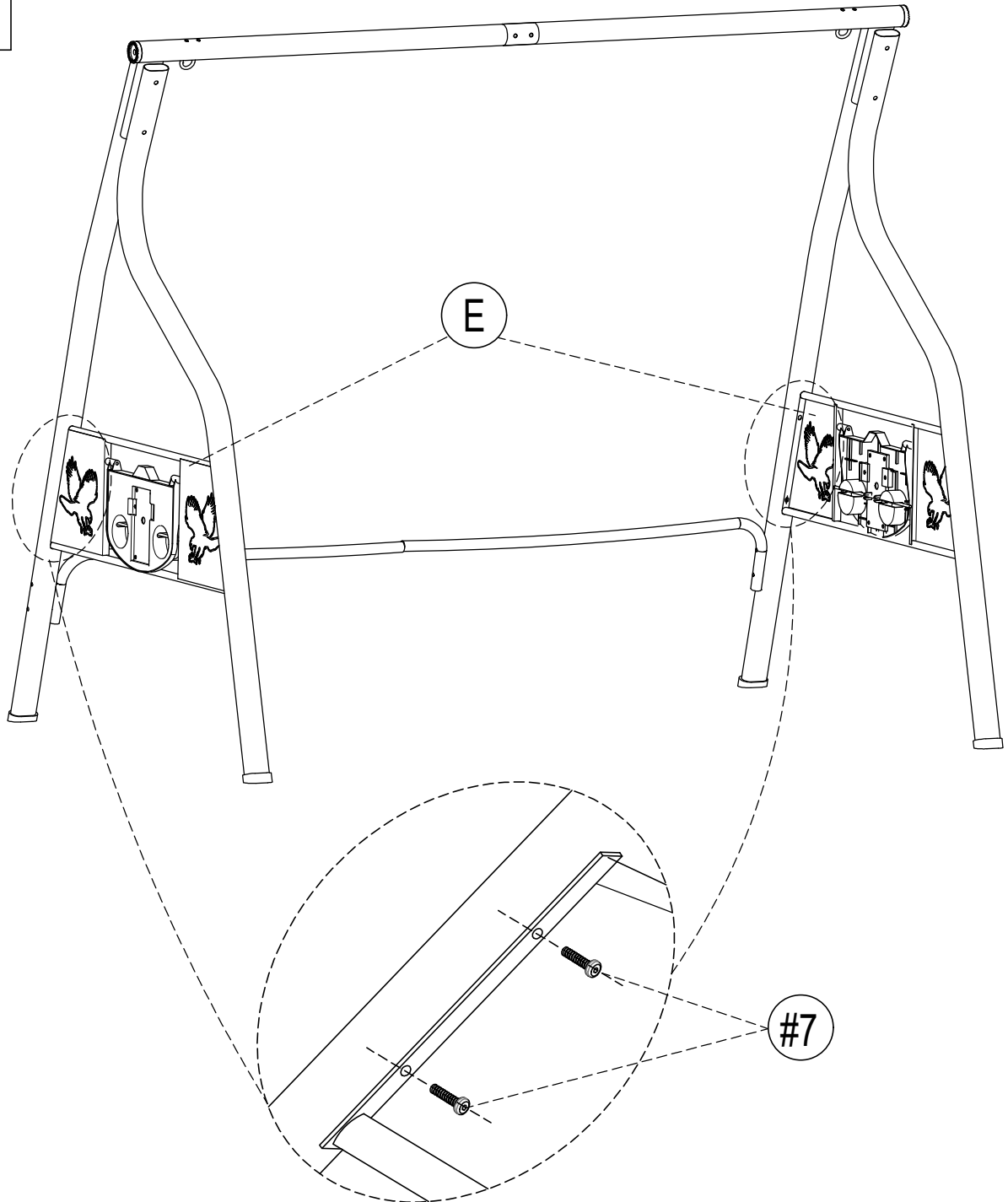
Assembly Instruction

STEP4

E*2

#7*8

#11*1



Assembly Instruction

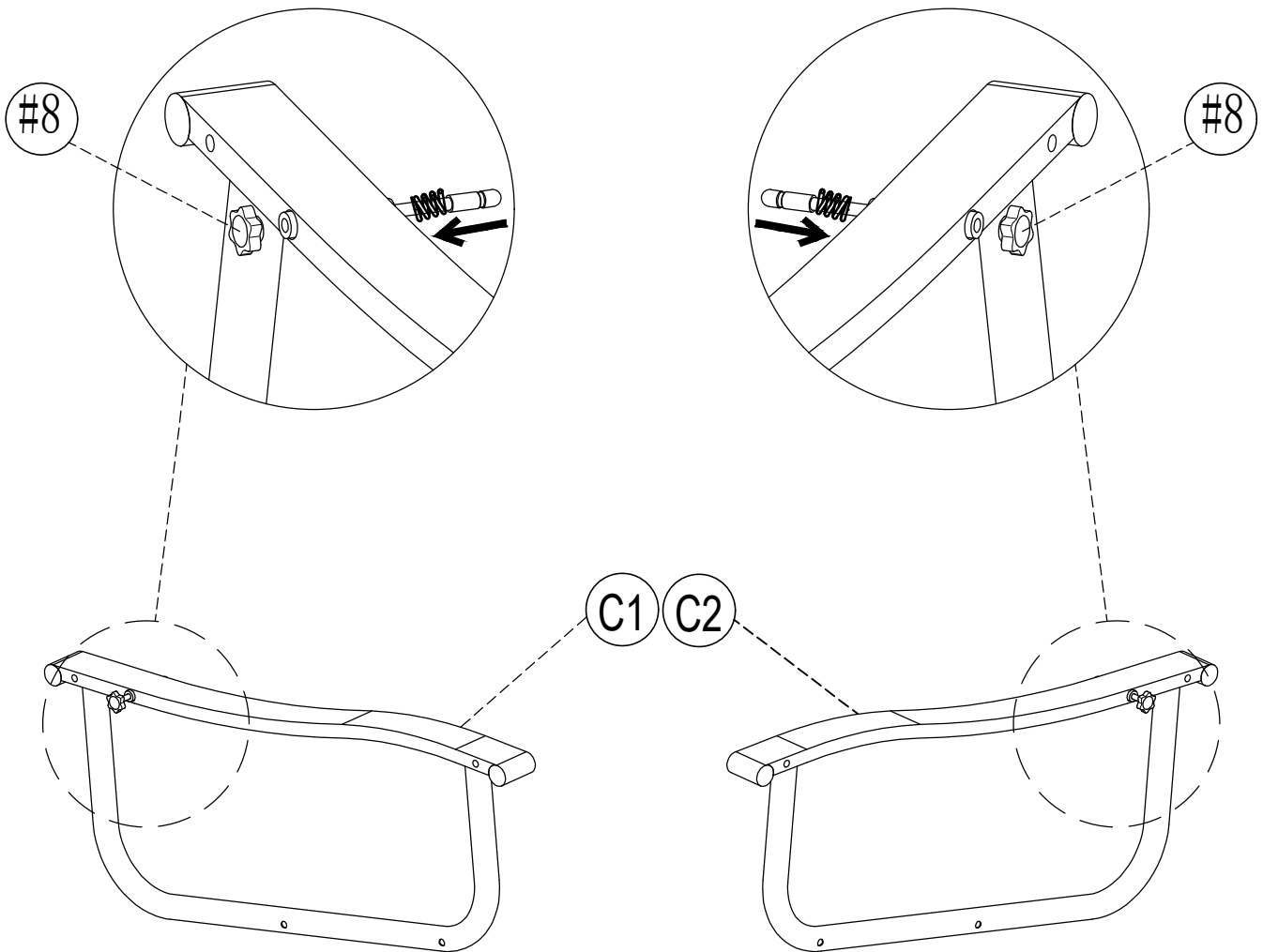
STEP5

C1*1

C2*1

#8*2

Please note: The plastic knobs of #8 is on the outside



Assembly Instruction

STEP 6

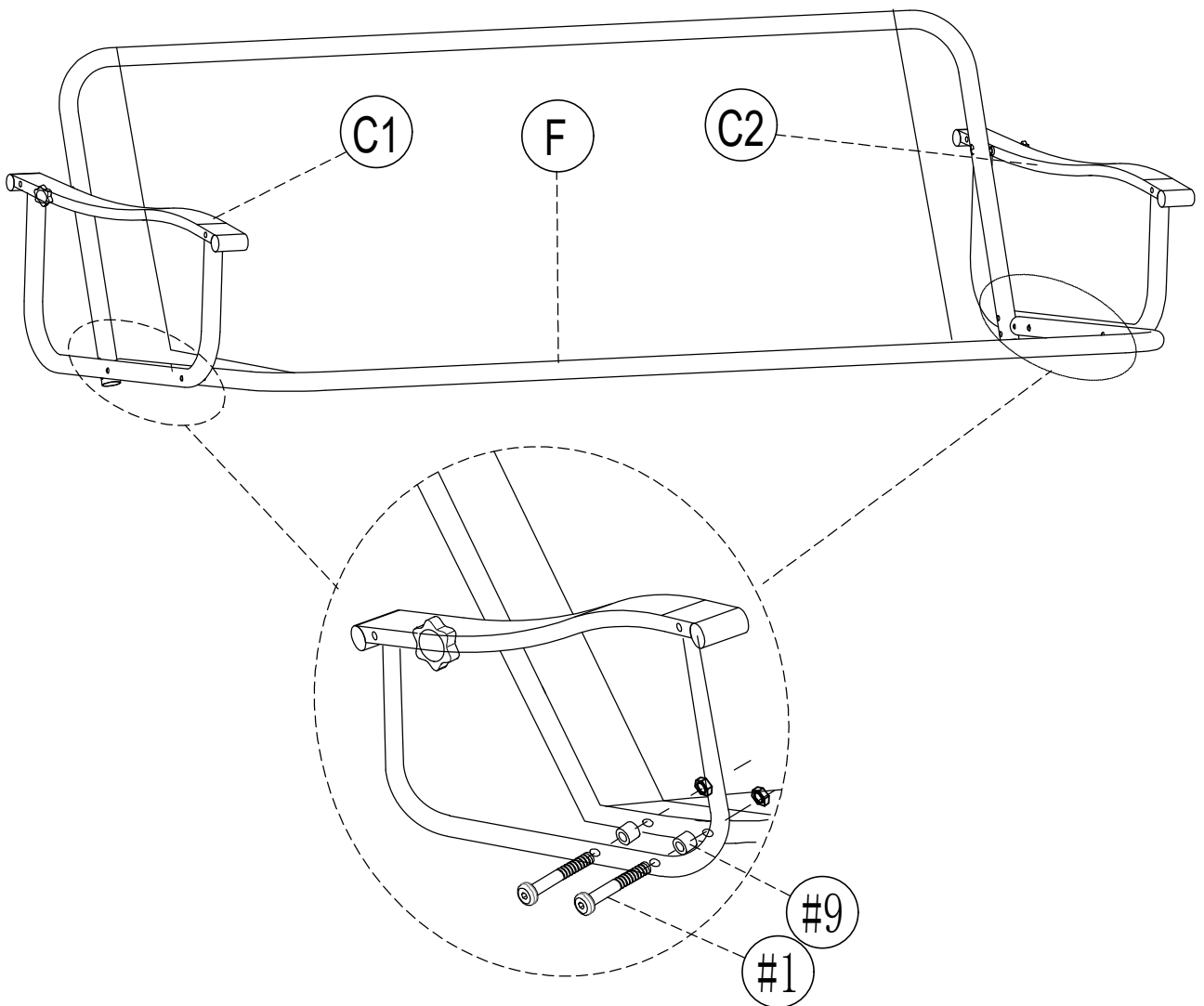
F*1

#1*4

#9*4

#10*1

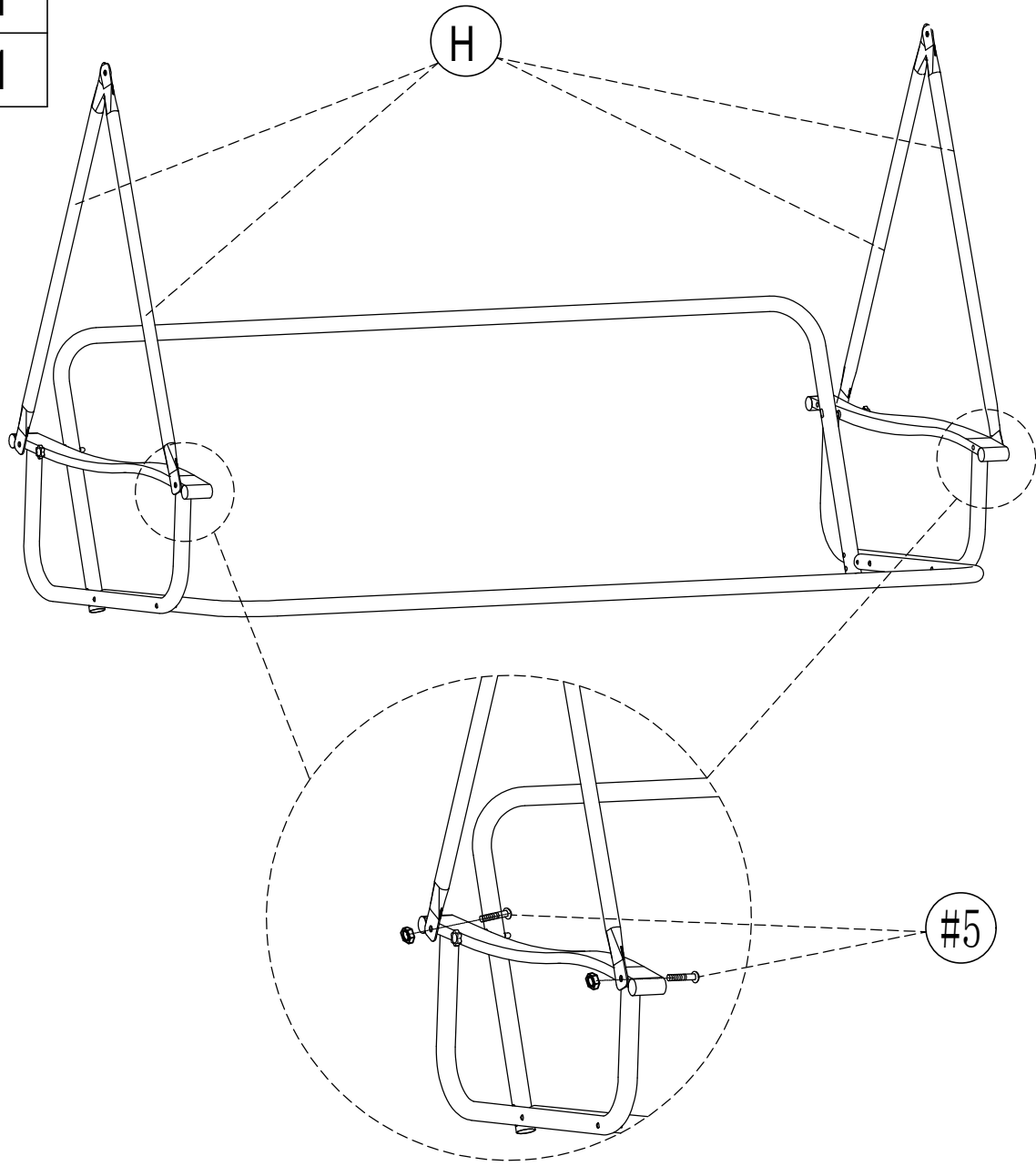
#11*1



Assembly Instruction

STEP 7

- H*4
- #5*4
- #10*1
- #11*1

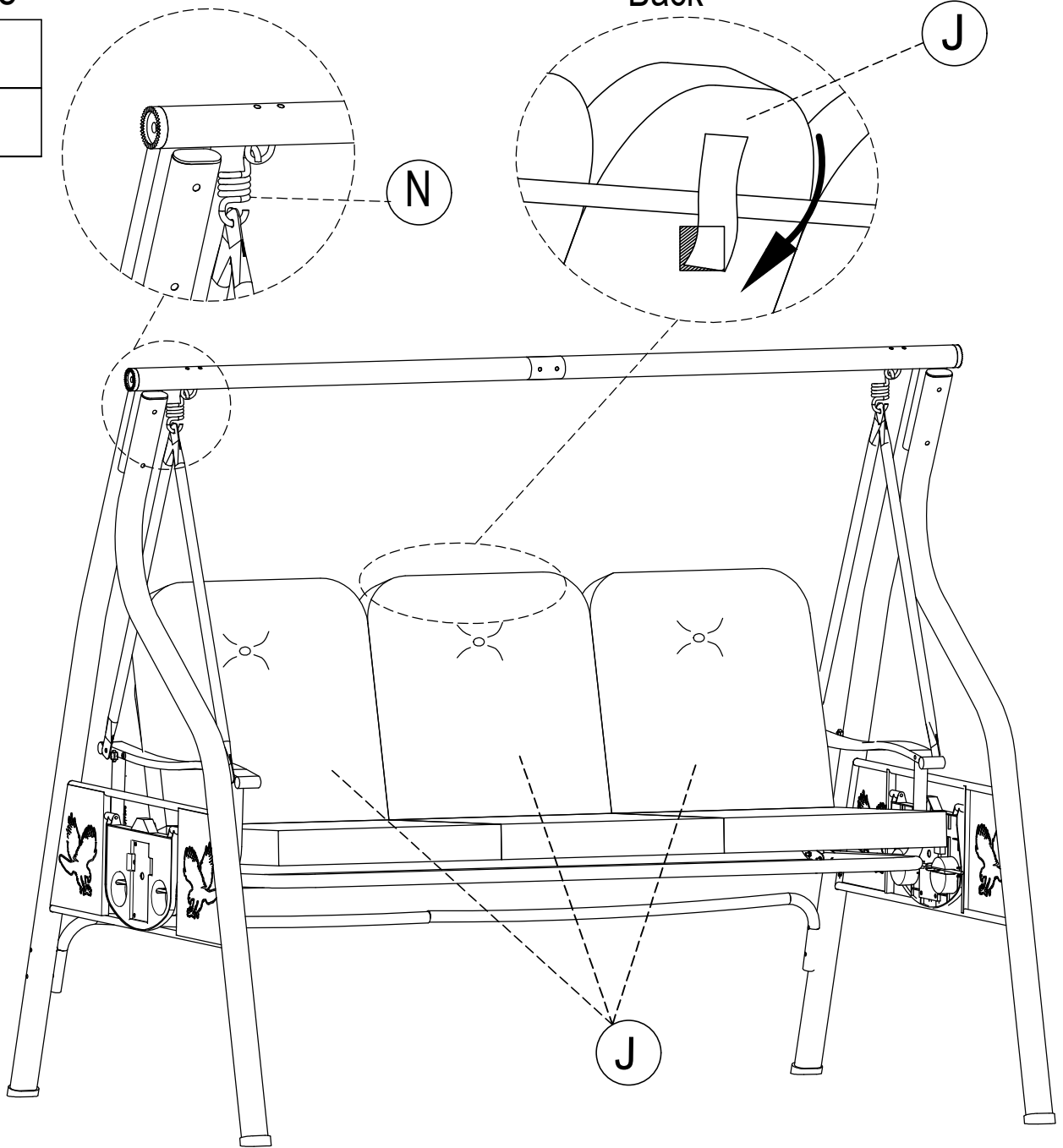


Assembly Instruction

STEP 8

J*3
N*2

Back



Assembly Instruction

STEP9

D*2

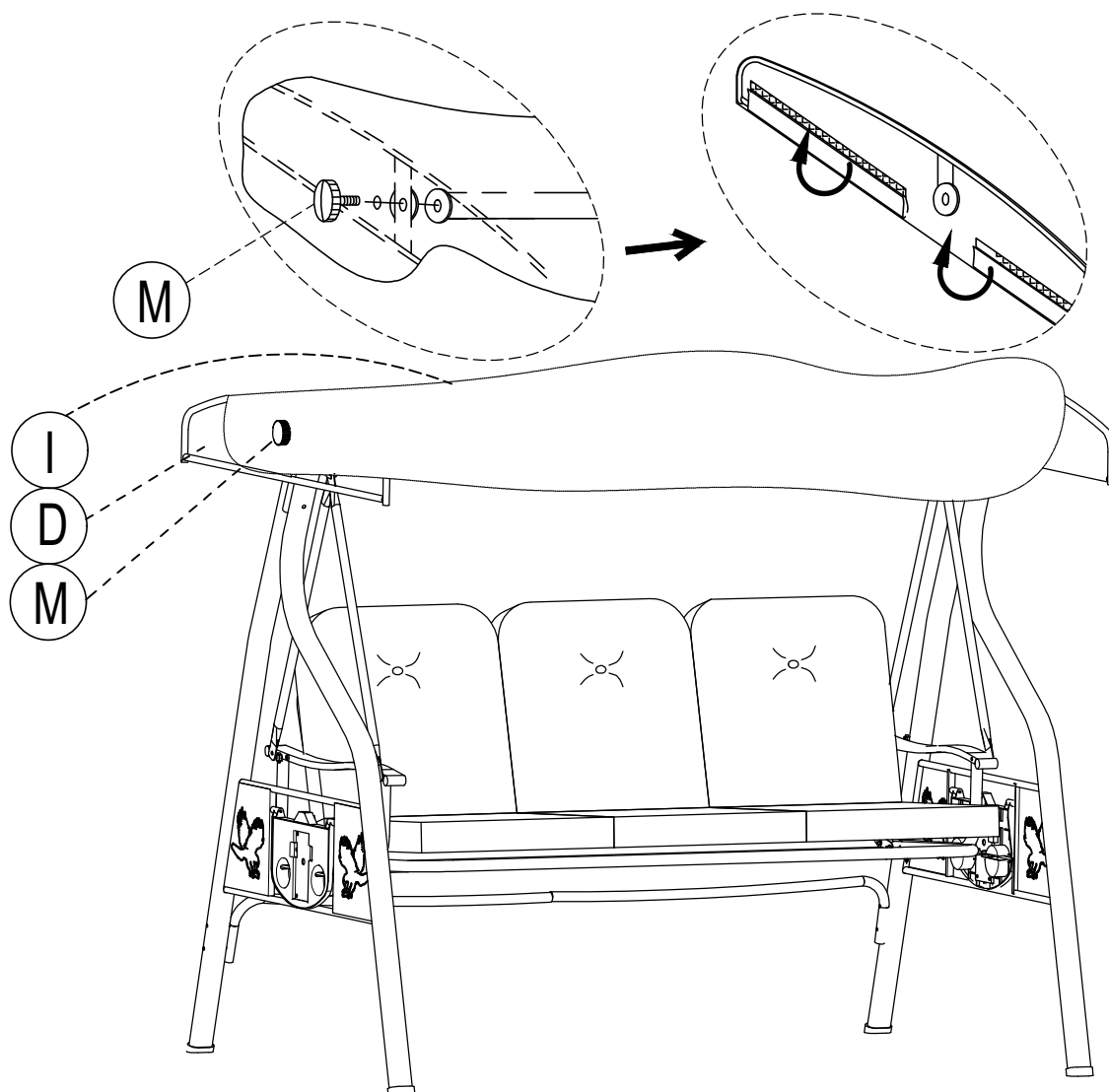
I*1

M*2

⚠ ATTENTION

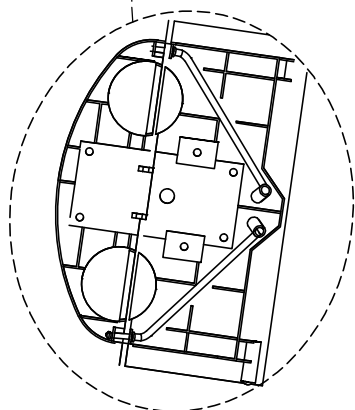
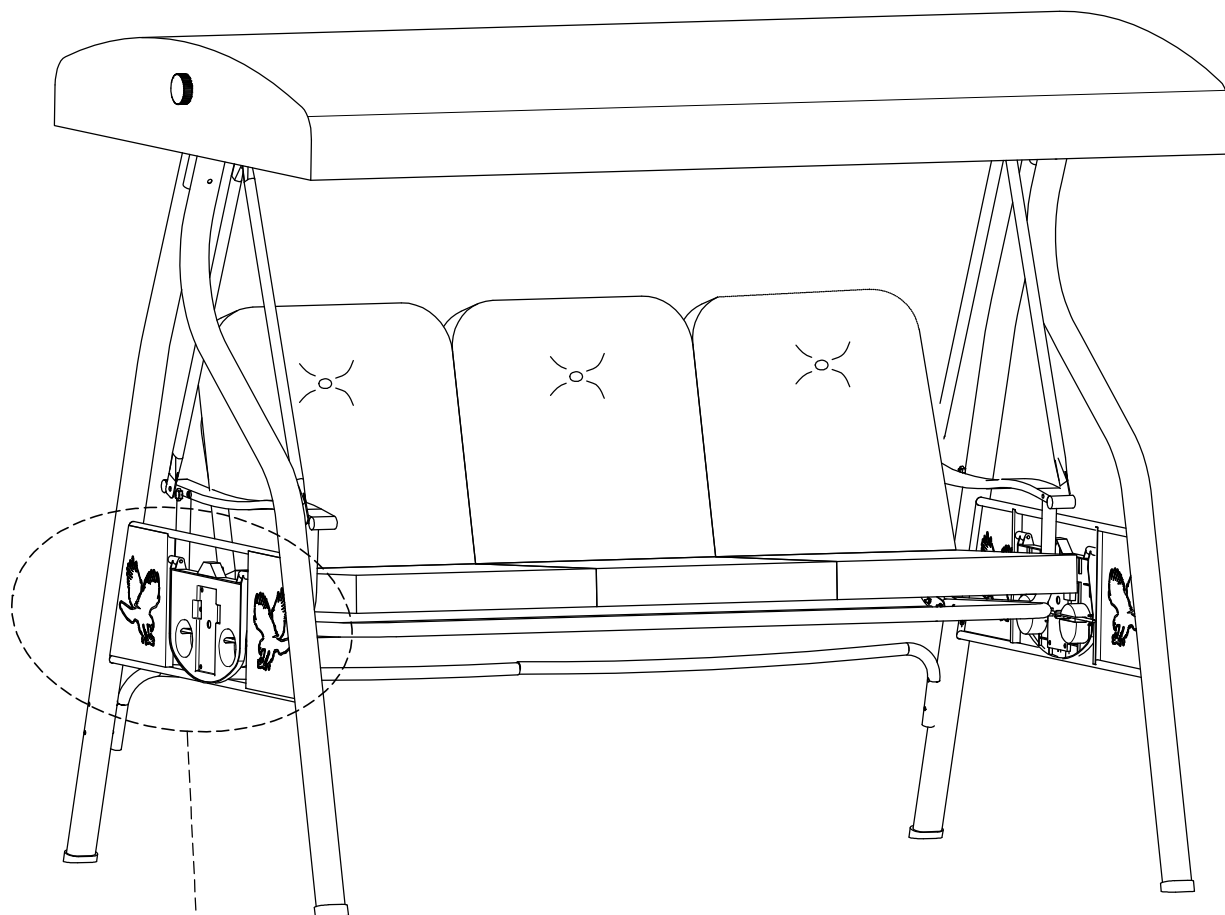
1.To adjust the angle of the canopy, please loosen the knobs on both sides, then align the gears and tighten.

2.If you find that the Velcro on one side of the canopy won't snap on, loosen the Velcro on the other side to adjust the distance. Both sides should maintain a tight feel.

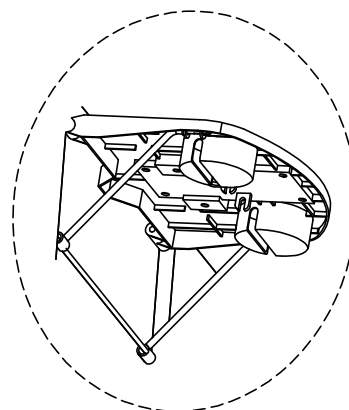


Assembly Instruction

STEP 10



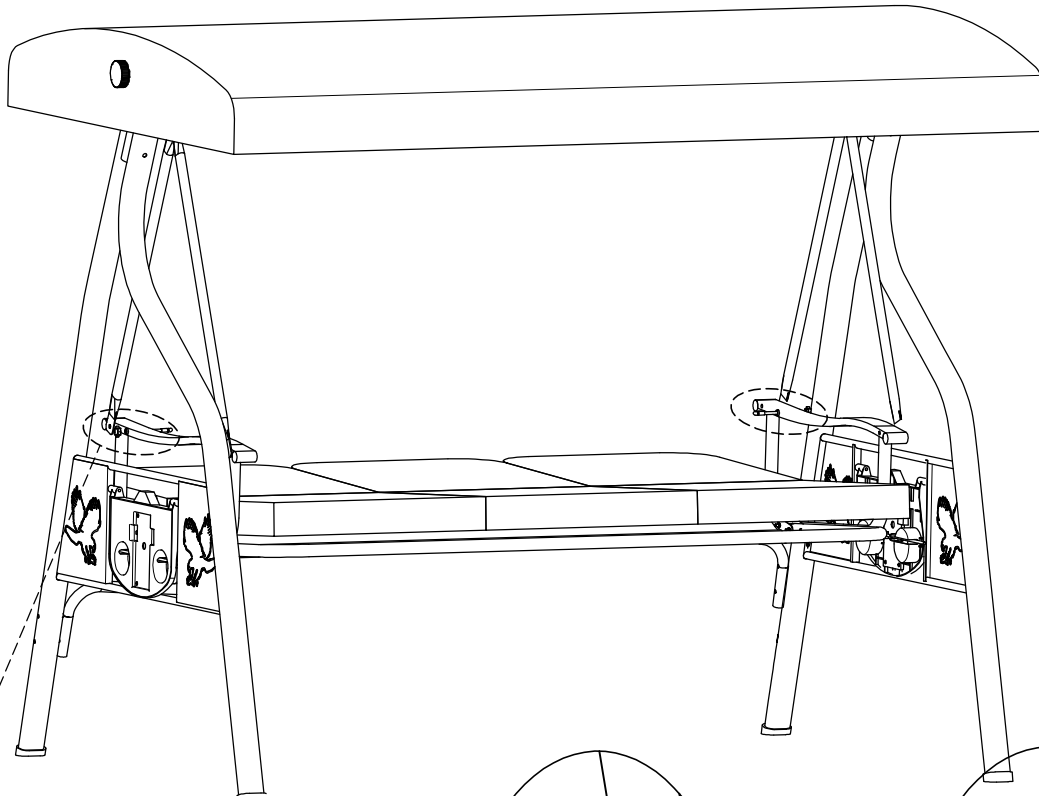
Retract bracket



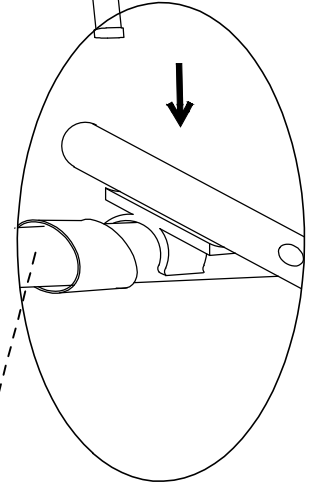
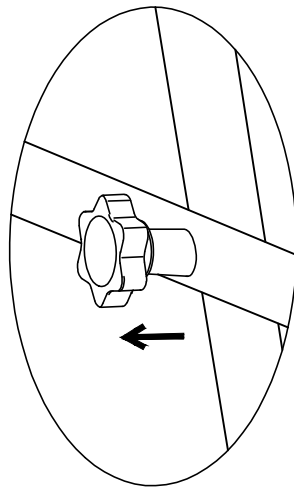
Release bracket

Assembly Instruction

STEP 11



Way to turn into a bed:
(1) Pull the knobs on both sides
(2) Fasten the plastic buckle



G1 G2

ATTENTION

1. After installation, make sure it is secure and tighten all screws to 100%.
2. Watch the knobs to avoid injury when lying down.

Assembly Instruction

STEP 12

K*2

