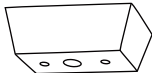



# ASSEMBLY INSTRUCTION

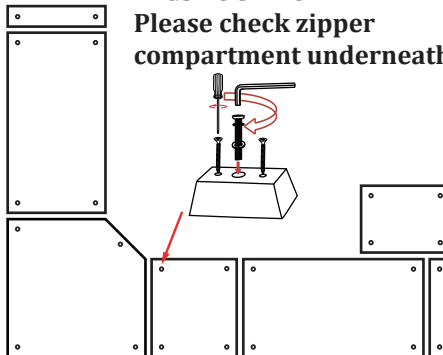
Please follow below Assembly Instruction step by step.

## HARDWEAR LIST

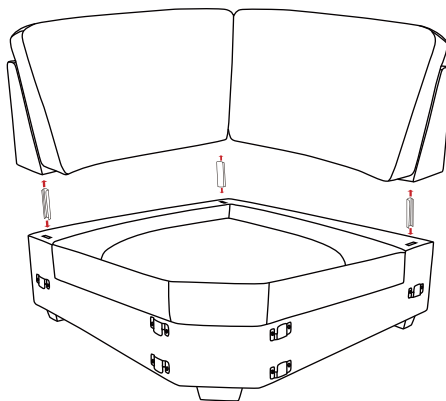
NO.	DESCRIPTION	QTY (pcs)
A	 leg	24
B		3

## STEP1

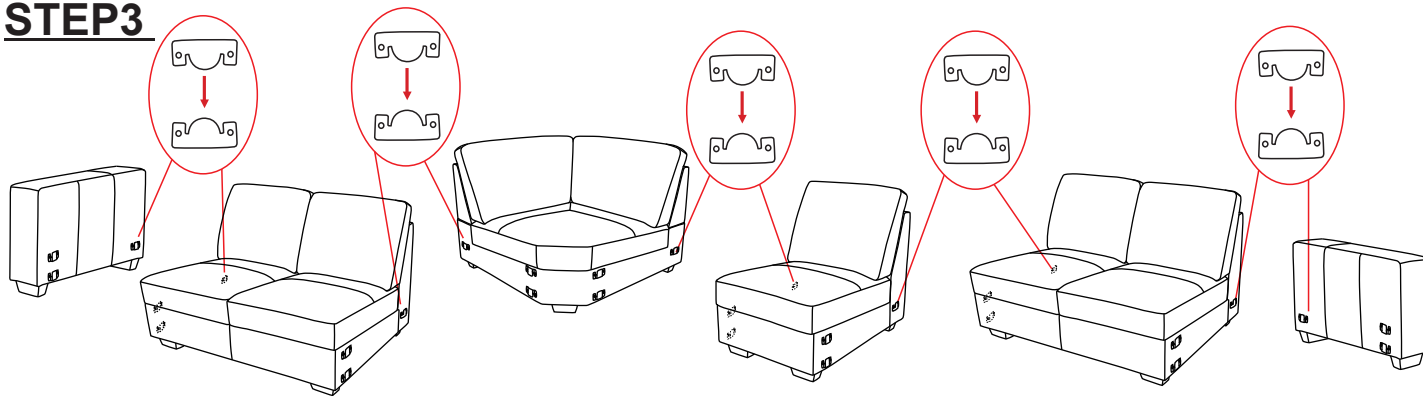
ATTENTION:  
LEGS LOCATION:  
Please check zipper  
compartment underneath the seat area.



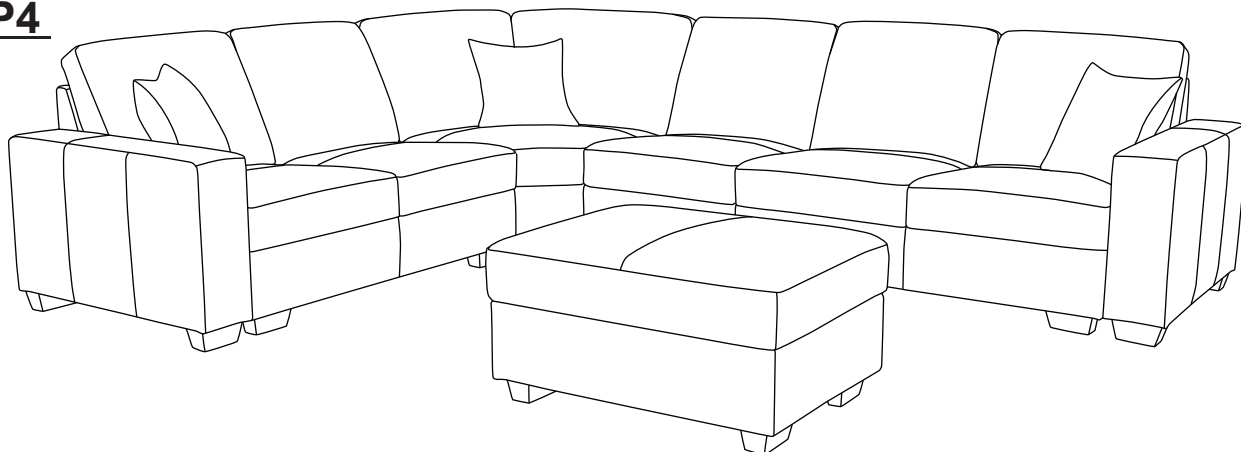
## STEP2



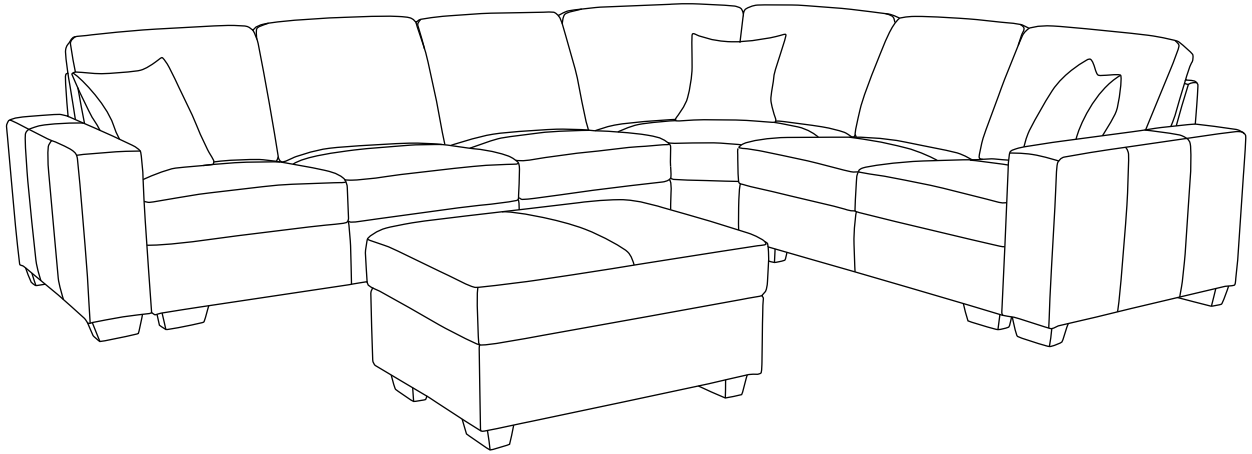
## STEP3



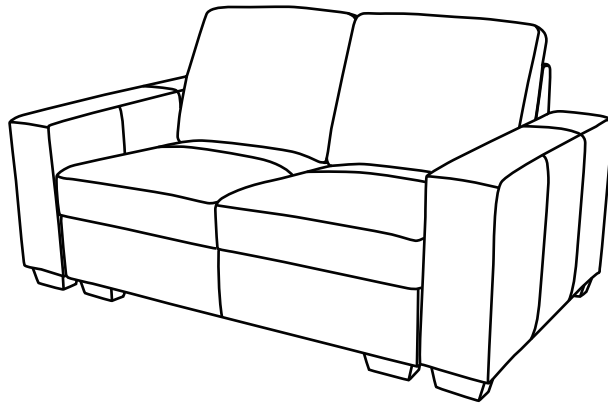
## STEP4



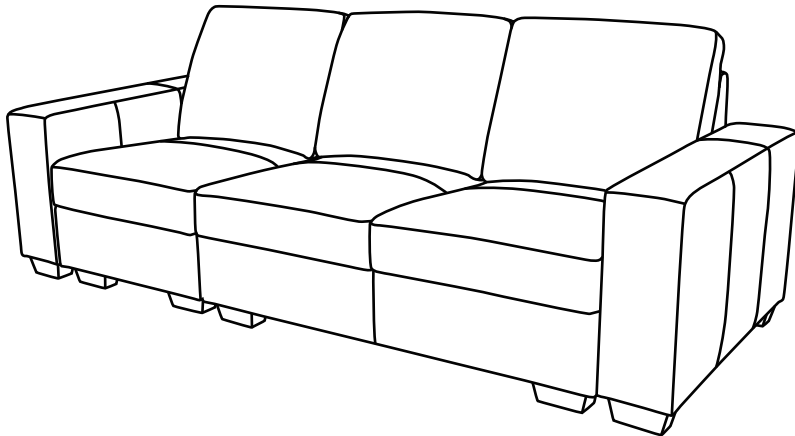
**STEP1**



**STEP2**



**STEP3**



**STEP4**

