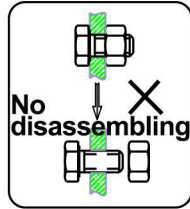


INSTALLATION STEPS

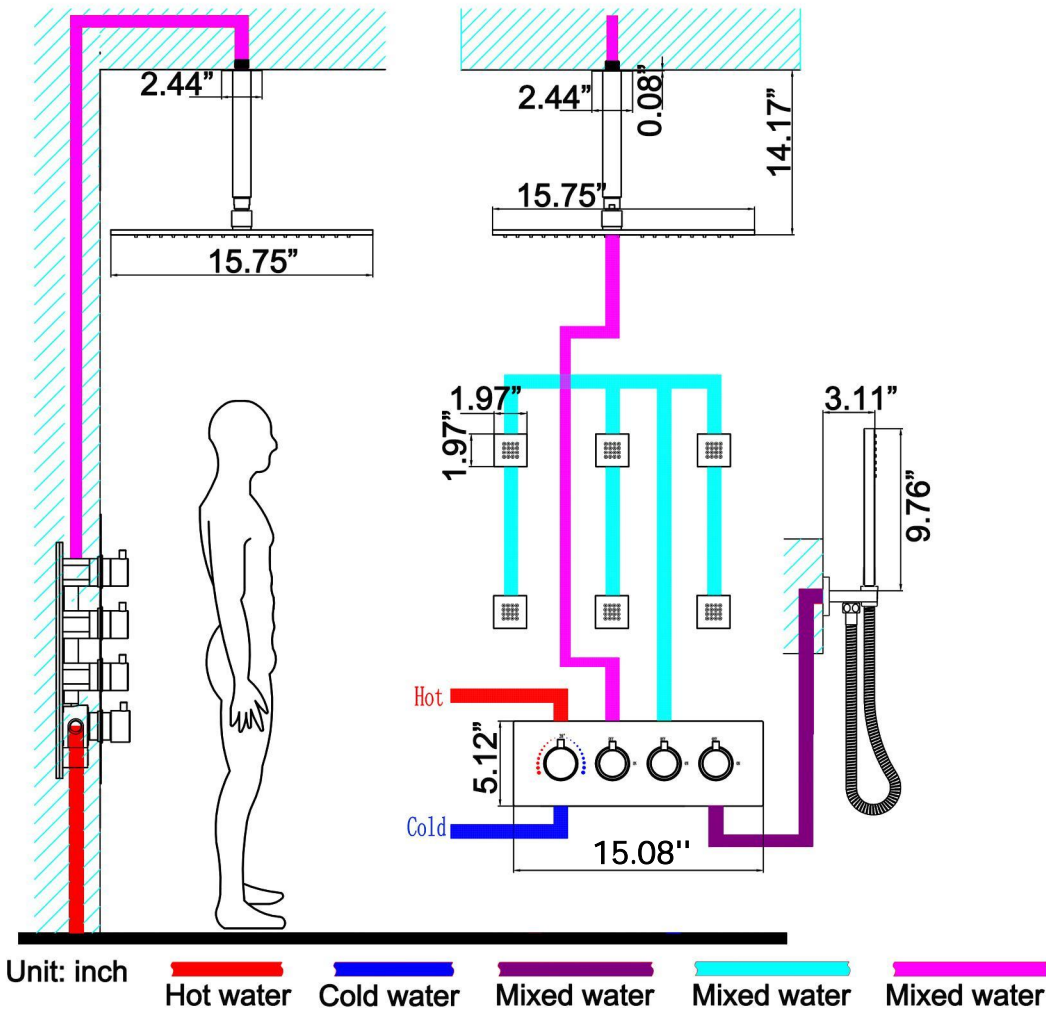
This product has been inspected and debugged by the factory to the best condition. Please do not disassemble and assemble it yourself.



Before installing the product, please be sure to remove sundries and sludge from the water pipe to prevent sundries from blocking the product.

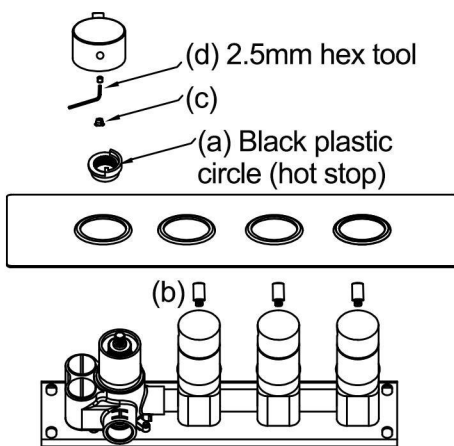


WATER PIPE INSTALLATION GUIDE

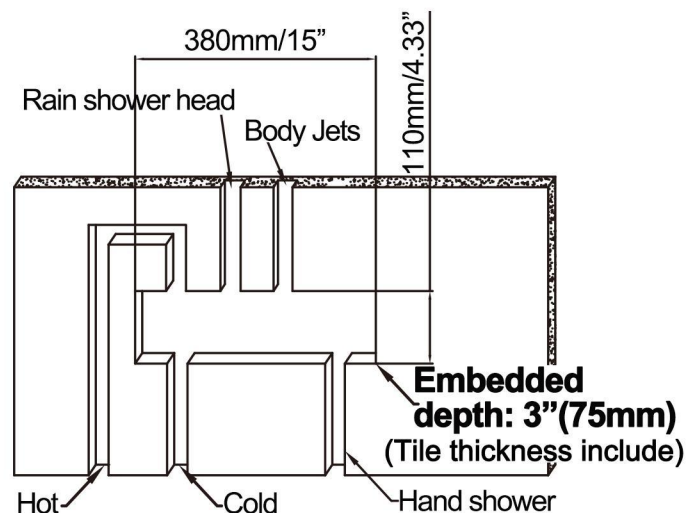


1. Insatallation Steps of Valve Body

1). Release the top 3 handwheel levers (b) counter-clockwise by hand to take off the knobs. Next take out the hole plug (c) at the bottom of temperature handle, then use 2.5mm hex tool to release the screw (d) to take off hand cover. Remove and keep the black plastic circle (a) till the final finish of installation and temperature adjustment.

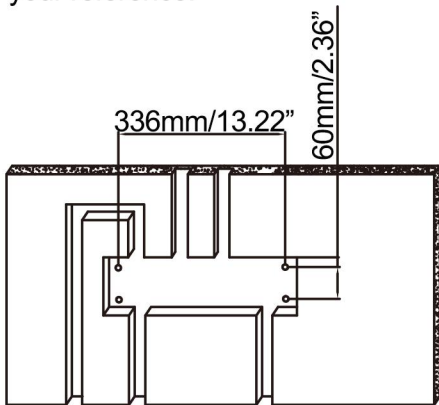


2). Turn off the water supply. Determine pipe length and depth. Set up the water lines. properly based on the actual condition. The above digram for plumber reference (Must pay attention-left is hot, right is cold.)

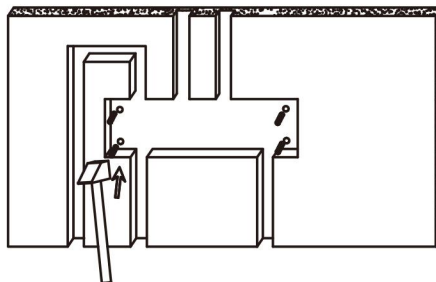


INSTALLATION STEPS

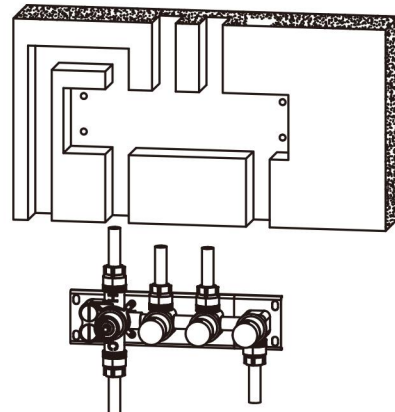
3). Drill 4 positioning holes for the valve body. The above diagram for your reference.



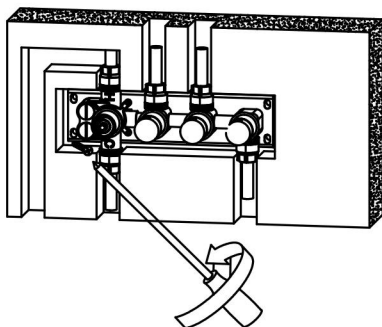
4). Hammer the 4 expansion screws into the holes.



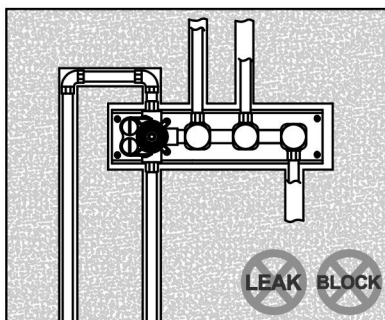
5). Fix the valve body with 4 positioning screws.



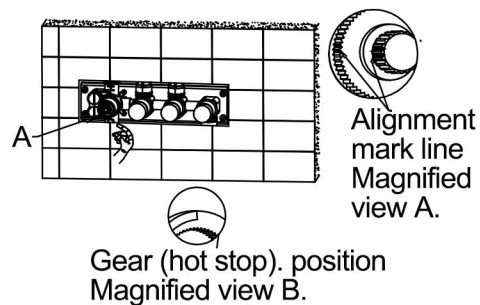
6). Use copper sleeve wrench to tighten the screws.



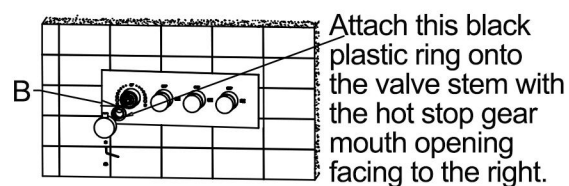
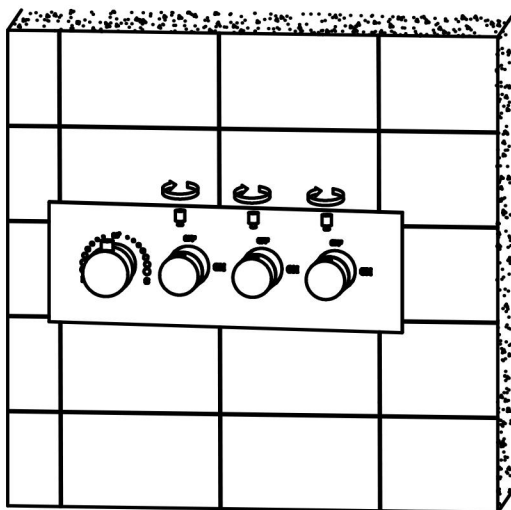
7). Connect the hot/cold inlets and outlets properly. Open the water supply to check and test, ensure there is no leakage or blockage at each connection.



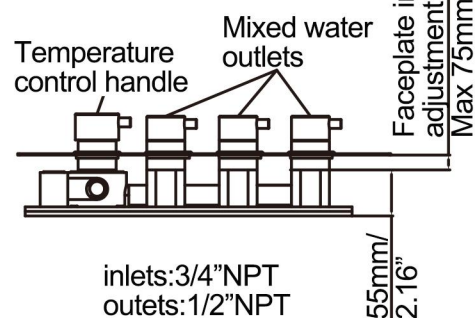
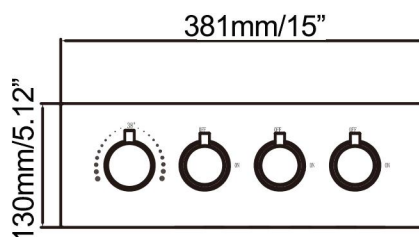
8). Temperature setting check.
 ① Rotate the valve core clockwise or counterclockwise by hand to align the 2 marks on the valve core teeth (enlarged view A);
 ② Attach the black gear ring on the valve core as picture directions; (enlarged view B). ③ Install the handle and plug as picture shows.



9). Screw the handwheel into the handles.



Please take accurate measurement according to the actual installation. Diagram only for your reference.



Faceplate installation adjustment distance
Max 75mm/2.95"

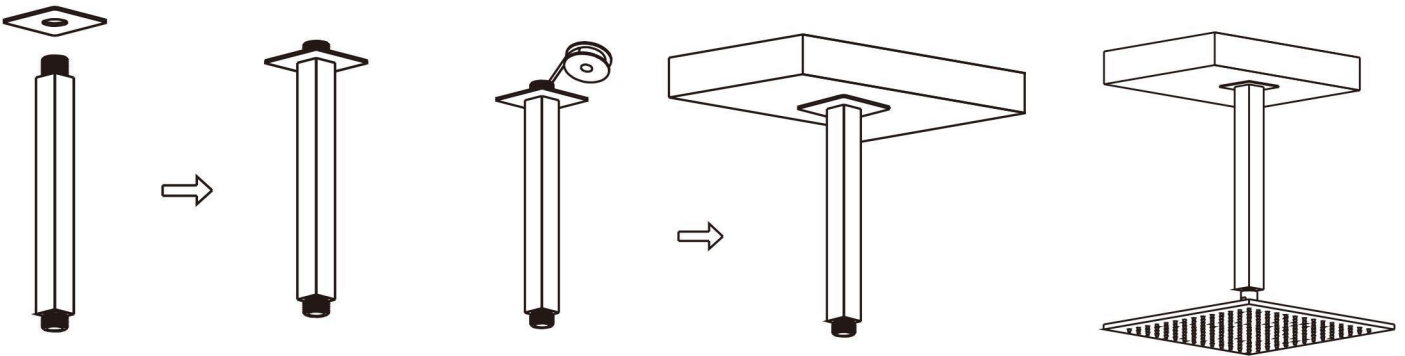
INSTALLATION STEPS

2. Installation Steps of Rain shower

1). Attach the cover plate to the longer tail of the shower arm.

2). Wrap shower arm longer thread with Teflon tape; then tighten it clockwise on the water outlet connector on the ceiling.

3). Screw the shower head clockwise onto the lower end of the shower pipe.

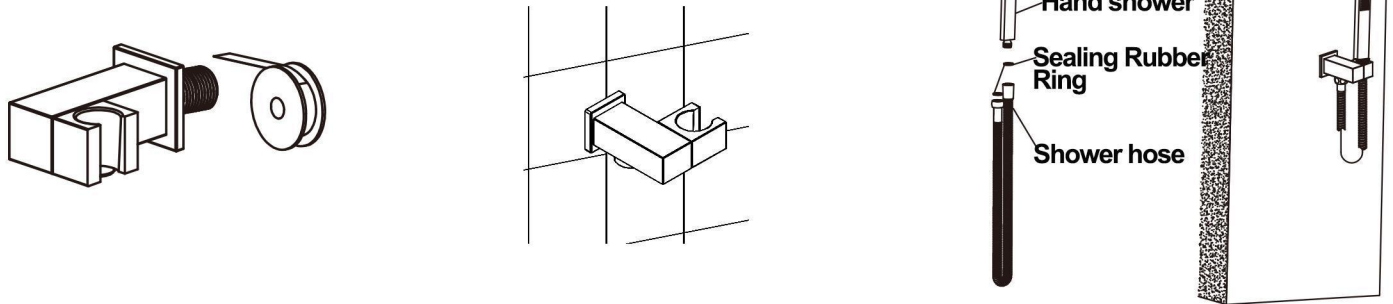


3. Installation Steps of Hand Shower

1). Wrap supply elbow thread with Teflon tape and attach cover plate to it.

2). Install the shower holder on the water inlet and tighten it clockwise.

3). Connect the hand shower with the shower holder with the shower hose.

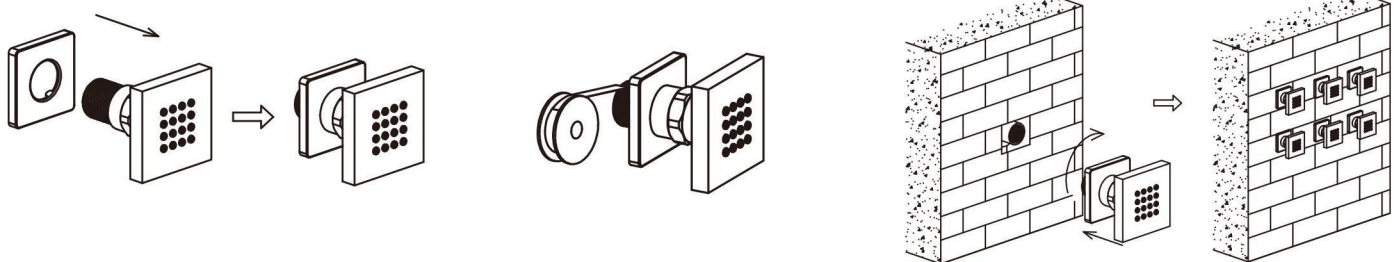


4. Installation Steps of Body Jets.

1). Attach the cover plate to body jets.

2). Apply Teflon tape to threaded tail of the body jets.

3). Use a wrench to screw the jet heads clockwise into the body spray outlets.



CLEANING CARE

In order to keep the appearance of product clean, bright and good performance, please take care of the product as follows;

1. Rinse with water only and dry with soft cotton cloth;
2. Use mild liquid and colorless glass cleaner to remove surface dirt and scale film, or use polish without abrasive effect;
3. Do not use abrasive detergent, polish, emery cloth, paper towel or scraper, etc;
4. Do not use acid cleaner, or cleaner and soap with insoluble gran etc;
5. In the process of use, mud may accumulate in the bubbler and make the water flow show, The bubbler can be unscrewed, rinsed with water, and then installed back in place.



Product size

