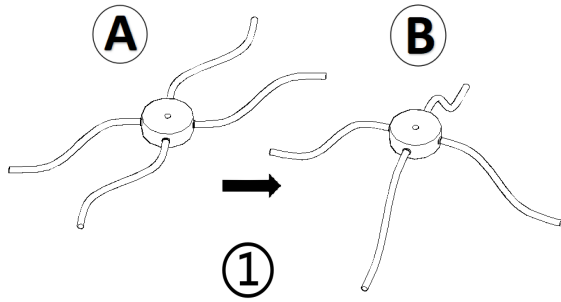
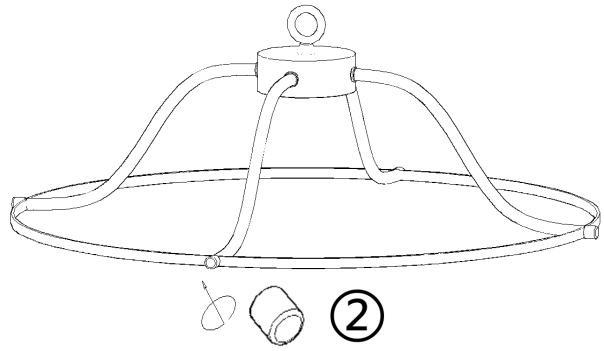


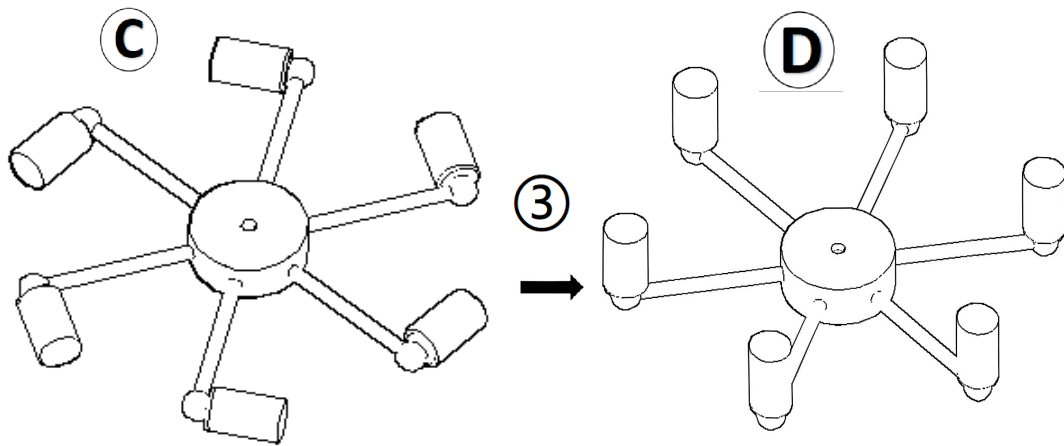
# Installation Instruction



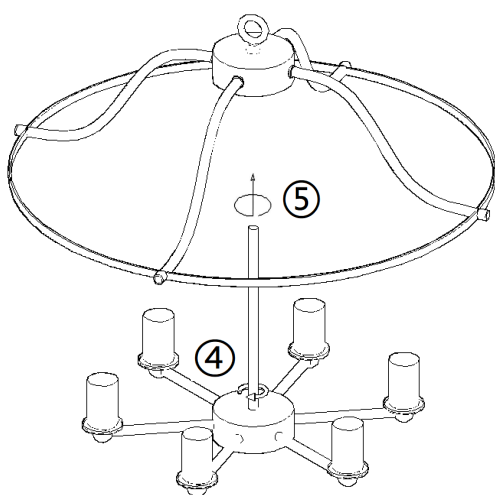
1. Adjust the direction of metal profile like picture B shown.



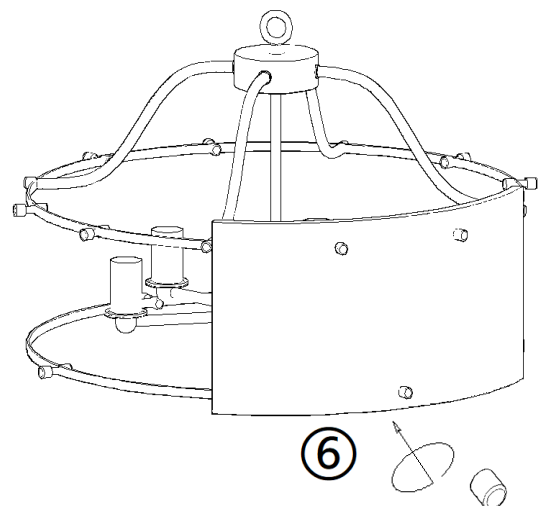
2. Install the metal ring to the frame with end cap.



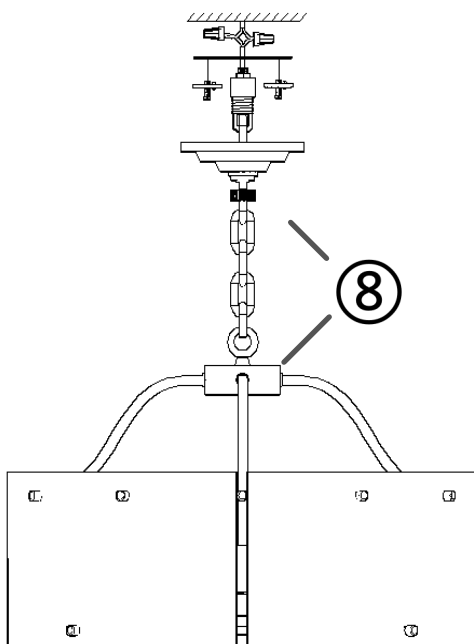
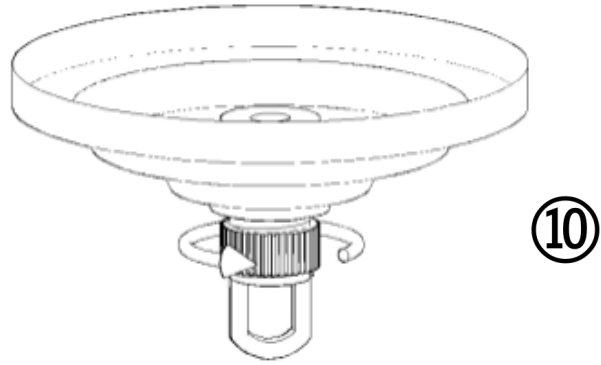
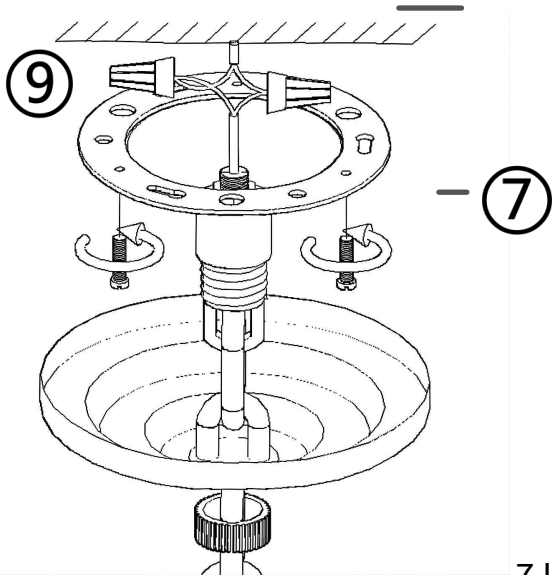
3. Upward the bulb holder 90 degree likd picture D.



4. Let the wire of the fixture go through the hanging tube, rotate to install the tube to the fixture.  
5. Let the wire go through the metal frame, rotate to fasten the frame to the fixture.



6. Install the glass pieces to the metal frame with end cap.



7. Install the bracket to the ceiling junction box with screw.

8. Connect the chain to the light fixture, let the chain and wire go through the ring and canopy, after that hang the chain to the ring of bracket.

9. Connect the wire to the house line with cap connector.

10. Fasten the canopy to the bracket by rotate the ring, and install the bulbs (bulb not included in the package).

## Notice

1. Check whether all of accessories are in the package when receive the product.
2. Please read carefully before installation.
3. Make sure that the electricity is powered off during installation.
4. Only a professional electrician should install this kind of product!