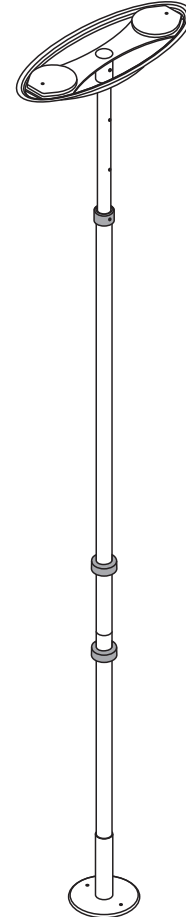


### Technical Data Sheet

#### Product Specification

The support pole shall be installed using a tension fit with non marking rubber pads on the ceiling plate and base plate. The support pole shall be constructed of 1.5" tubing. The product shall have a satin powder coat finish. The product shall have a weight capacity of 300 lbs/136 kg. The support pole with pivot bar shall be HealthCraft Products model UPOLE-P-\_\_\_\_ (see table below for appropriate product code).

Complies with ASTM F3186-24 - Standard Specification for Adult Portable Bed Rails and Related Products.



#### Key Features

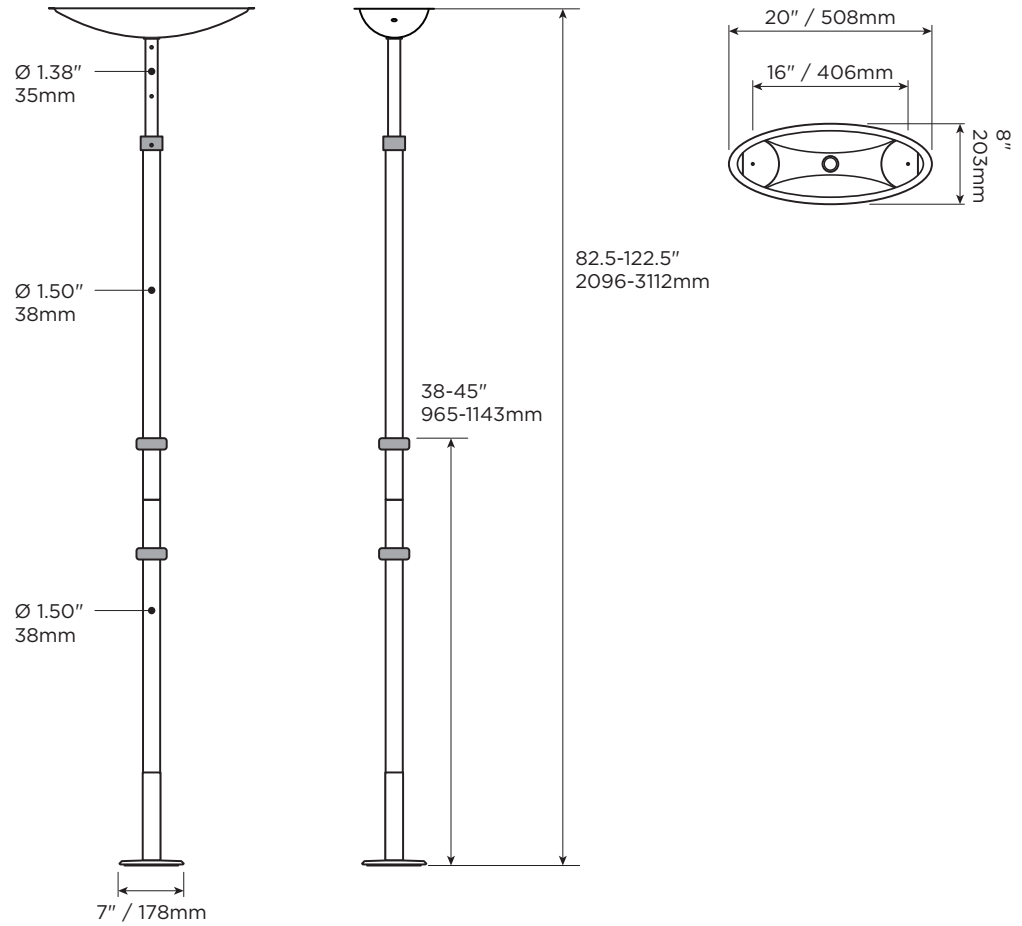
- Tension Fit
- Satin Powder Coat Finish
- No Damage Installation

#### Specified Model

Model	Weight Capacity	Ceiling Height	Material
UPOLE-P-CW	300 lbs / 136 kg	82.5-122.5" / 2096-3112mm	Steel

### Technical Data Sheet

#### Product Dimensions



#### Shipping Dimensions

Model	Height (H)	Width (W)	Depth (D)	Weight
UPOLE-P	6" / 15cm	10" / 25cm	47" / 120cm	21.2lbs / 9.6kg

