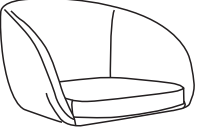


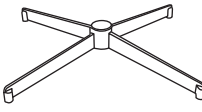





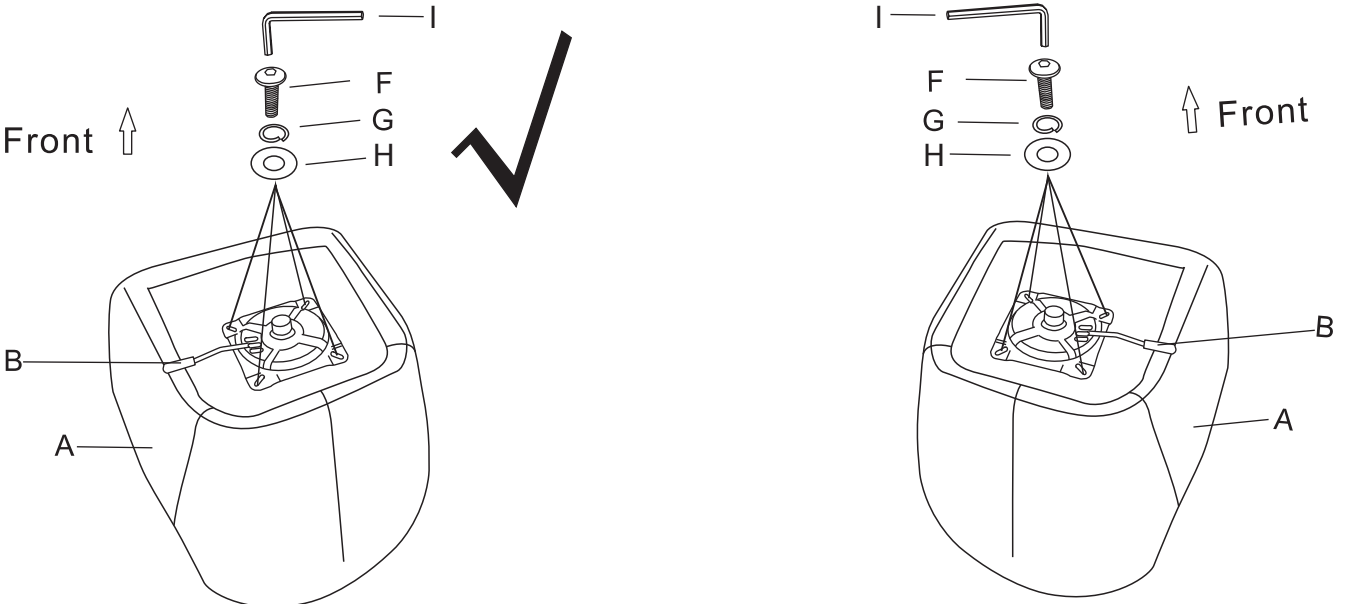


# ASSEMBLY INSTRUCTION

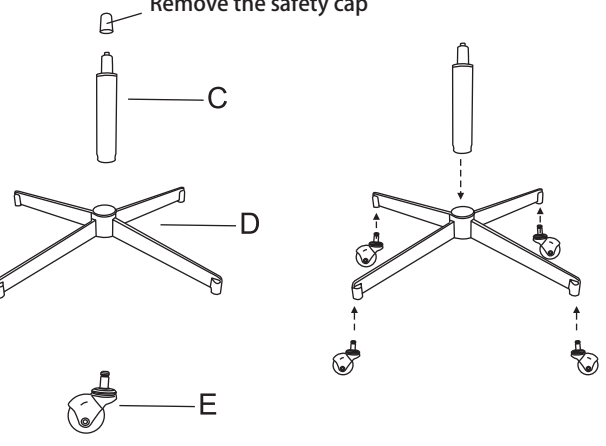
- Ax1 
- Bx1 
- Cx1 
- Dx1 
- Ex4 
- Fx4 
- Gx4 
- Hx4 
- I x1 

**Step 1** Please pay attention to the installation direction

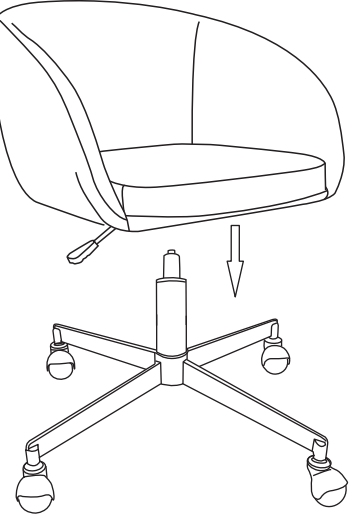


**Step 2**

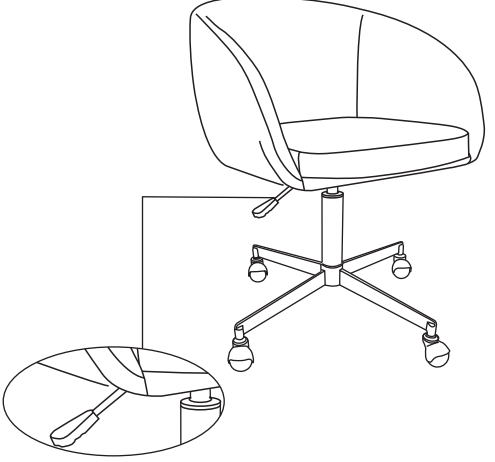
Remove the safety cap



**Step 3**



**Step 4**



Functions: Up/Down  
 Pull the handle up without sitting on the seat to make it up.  
 Pull the handle up with sitting on the seat to make it down.