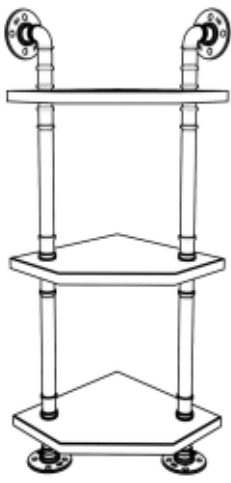







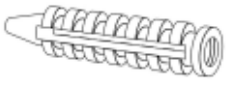


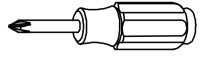



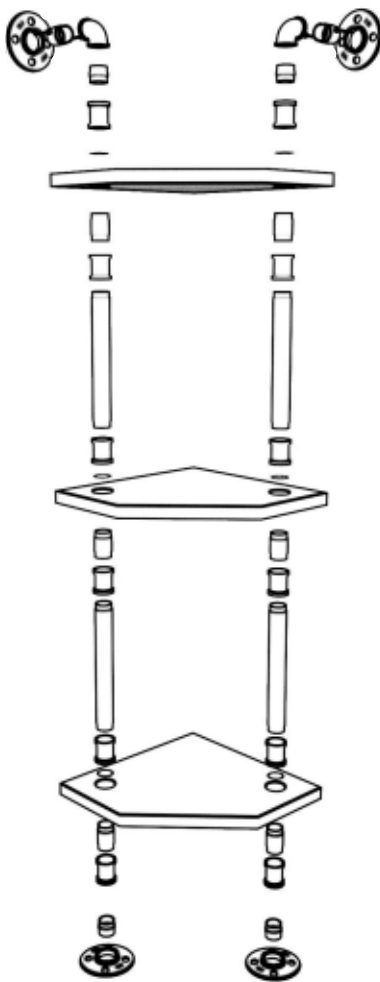
SKU: 6090-BS303BRN

ASSEMBLY INSTRUCTION

| | | | |
|--|--|---|--|
|  | <p>A</p>  <p>4 PCS</p> | <p>B</p>  <p>12PCS</p> | |
| | <p>C</p>  <p>2PCS</p> | <p>D</p>  <p>12PCS</p> | |
| <p>E</p>  <p>4PCS</p> | <p>F</p>  <p>3PCS</p> | <p>G</p>  <p>6PCS</p> | <p>H</p>  <p>8PCS</p> |
| <p>I</p>   <p>8PCS</p> |   <p>1PC</p> | | |

Please unscrew all spare parts before assembling.
 If you find the screw thread is rusty, please don't worry,
 it will not affect the installation and use.

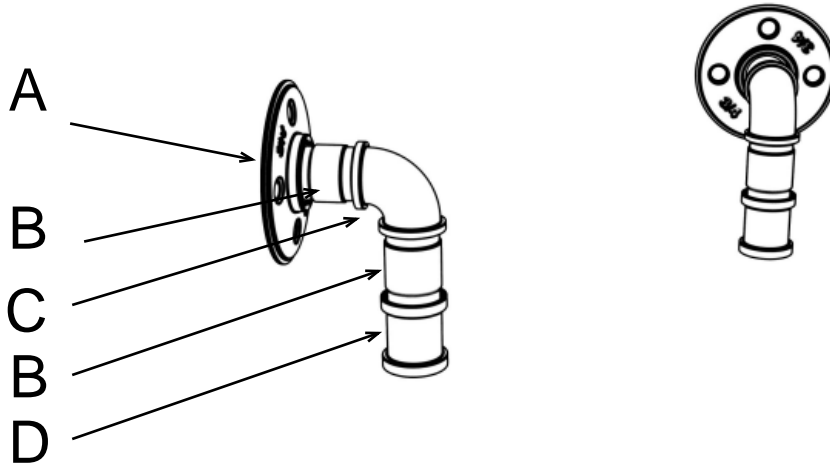
SKU: 6090-BS303BRN
ASSEMBLY INSTRUCTION



Decomposition Diagram

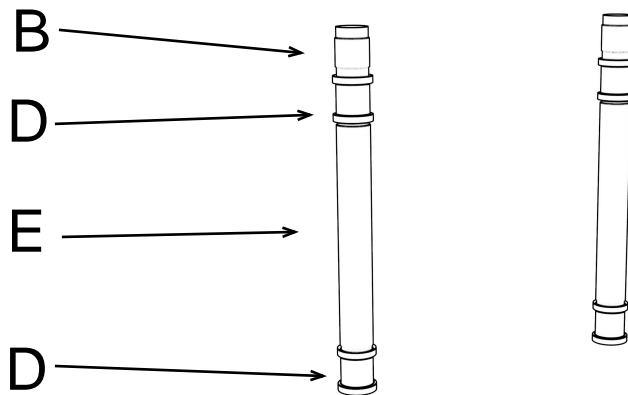
SKU: 6090-BS303BRN
ASSEMBLY INSTRUCTION

STEP 1



2PCS

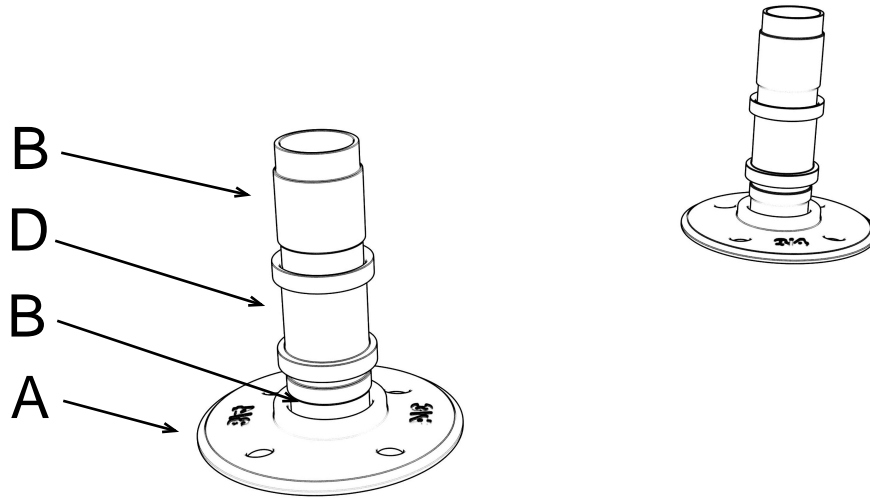
STEP 2



4PCS

SKU: 6090-BS303BRN
ASSEMBLY INSTRUCTION

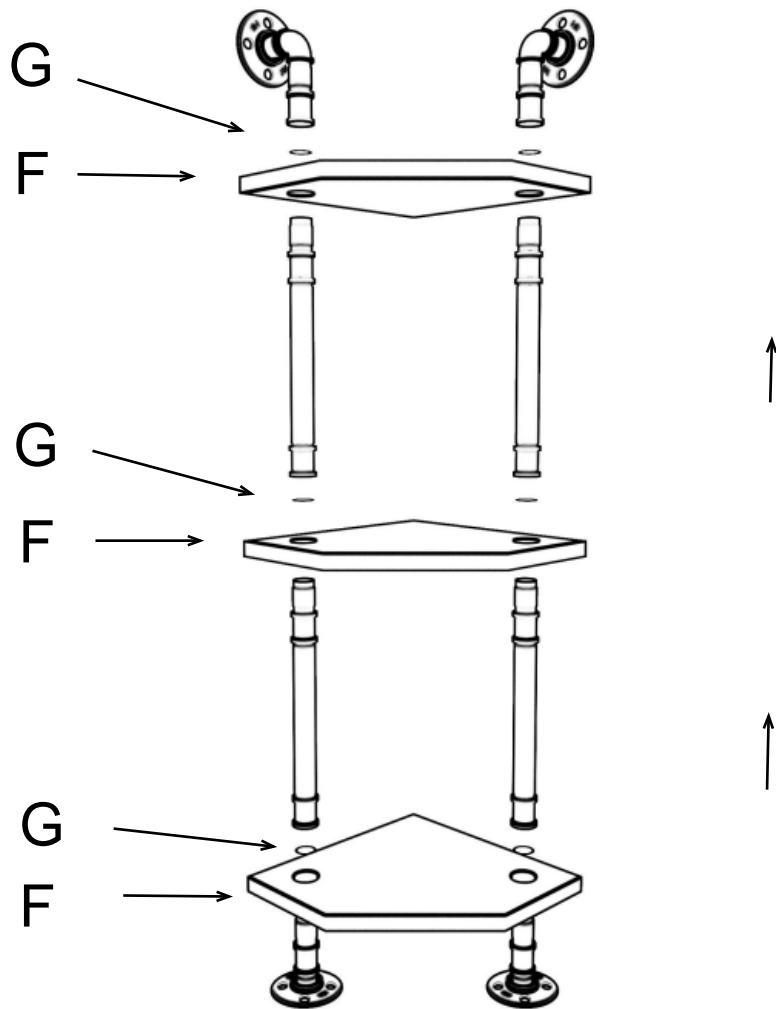
STEP 3



2PCS

SKU: 6090-BS303BRN
ASSEMBLY INSTRUCTION

STEP 4



SKU: 6090-BS303BRN
ASSEMBLY INSTRUCTION

STEP 5

