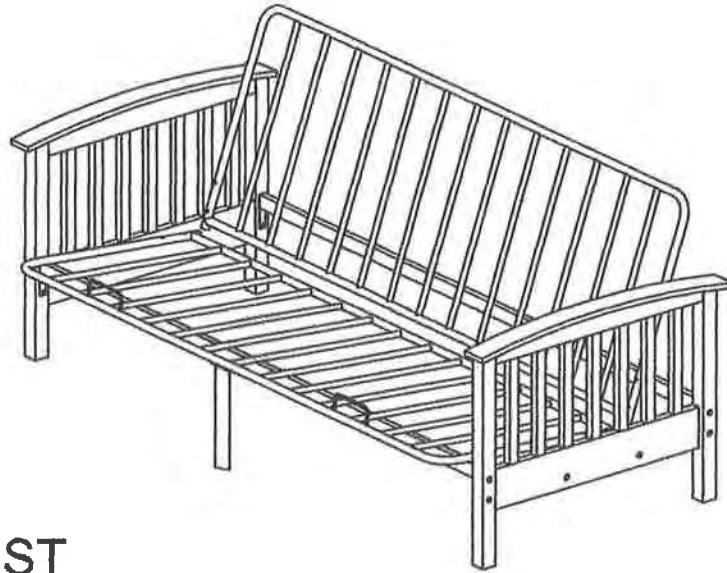







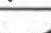



# ASSEMBLY INSTRUCTIONS



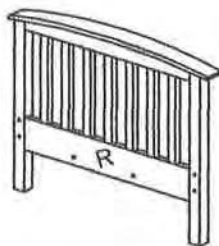
## HARDWARE LIST

REF		HARDWARE NAME	QTY
A		M8x30 BOLT	4 PCS
B		M8x40 BOLT	8 PCS
C		M8x60 BOLT	8 PCS
D		CURVE WASHER M8	8 PCS
E		FLAT WASHER	12 PCS
F		M8 NUT	16 PCS
G		HOOK	1 PC
H		ALLEN KEY M8	1 PC
I		OPEN SPANNER M8	1 PC

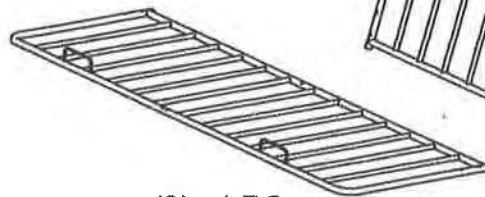
## PART LIST



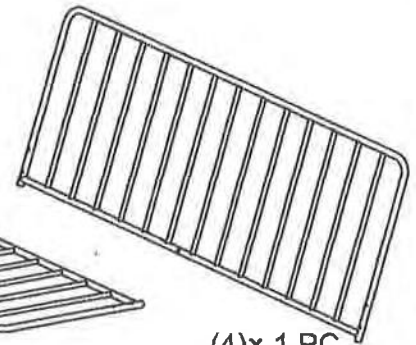
(1)× 1 PC



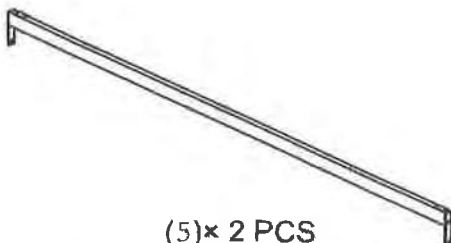
(2)× 1 PC



(3)× 1 PC



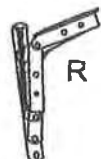
(4)× 1 PC



(5)× 2 PCS

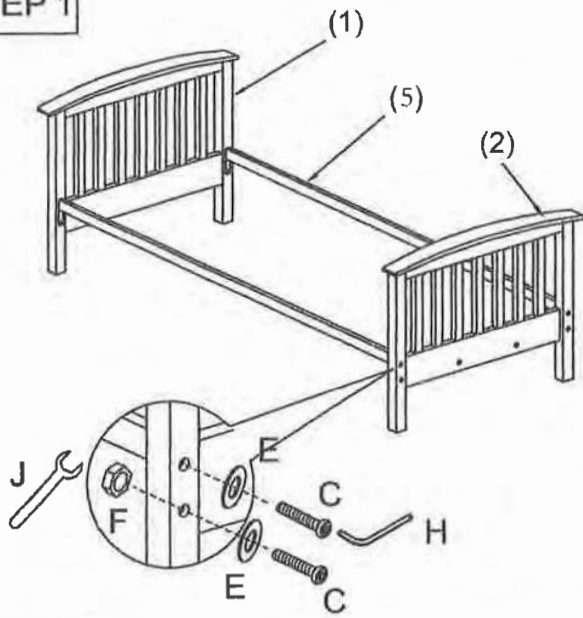


(6)× 1 PC

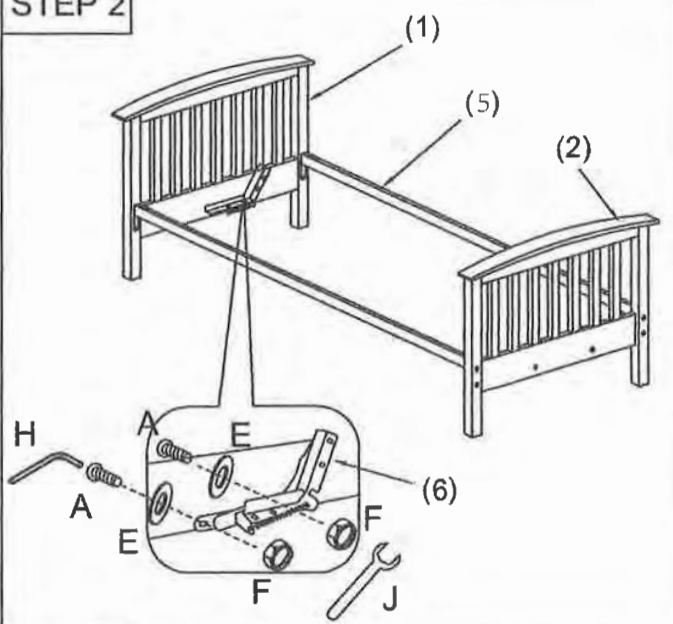


(7)× 1 PC

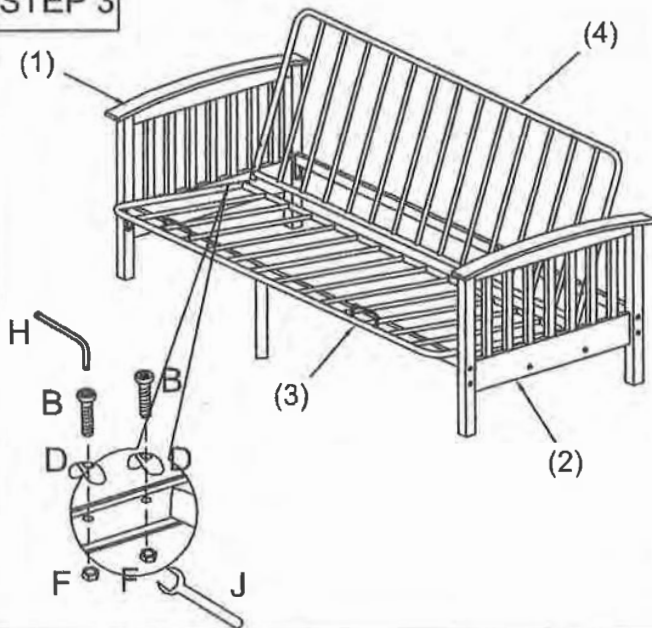
STEP 1



STEP 2



STEP 3



STEP 4



STEP 5



FULLY SETUP

