

# Technical Specification

## Dog shower attachment

S7927X

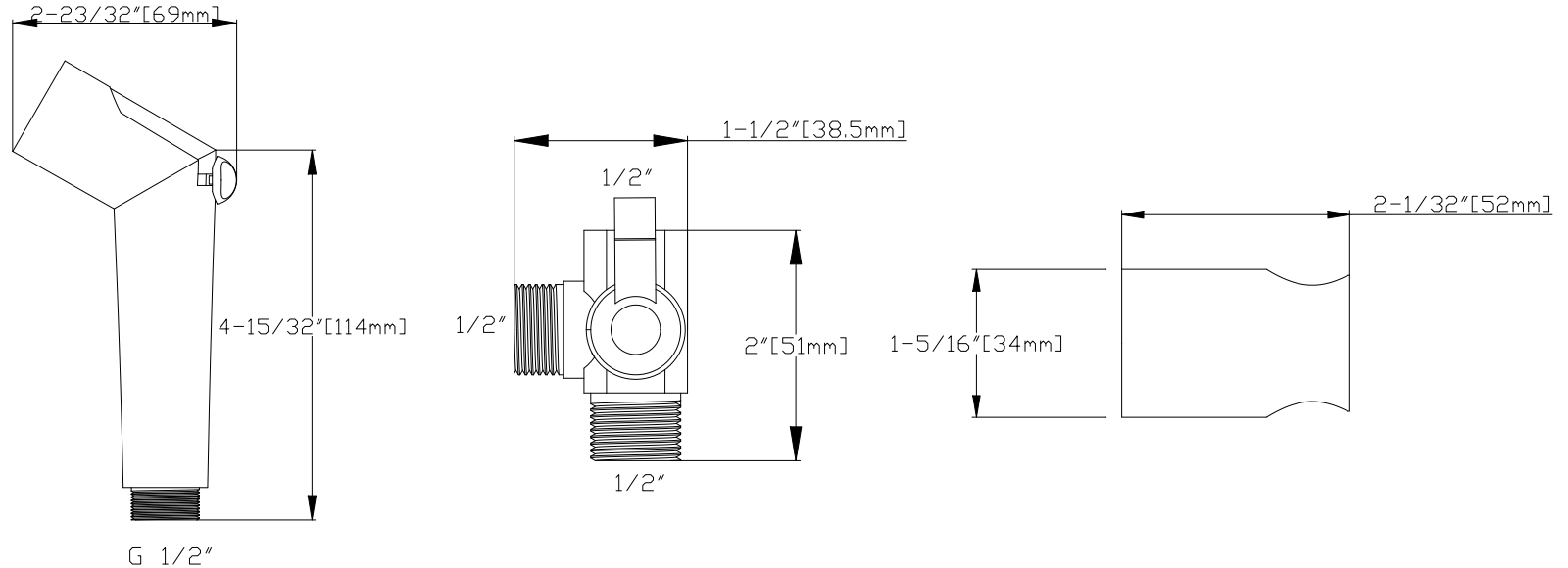
### Stock Numbers:

- S7927C Chrome
- S7927N Brushed Nickel
- S7927D Matte Black

### Features

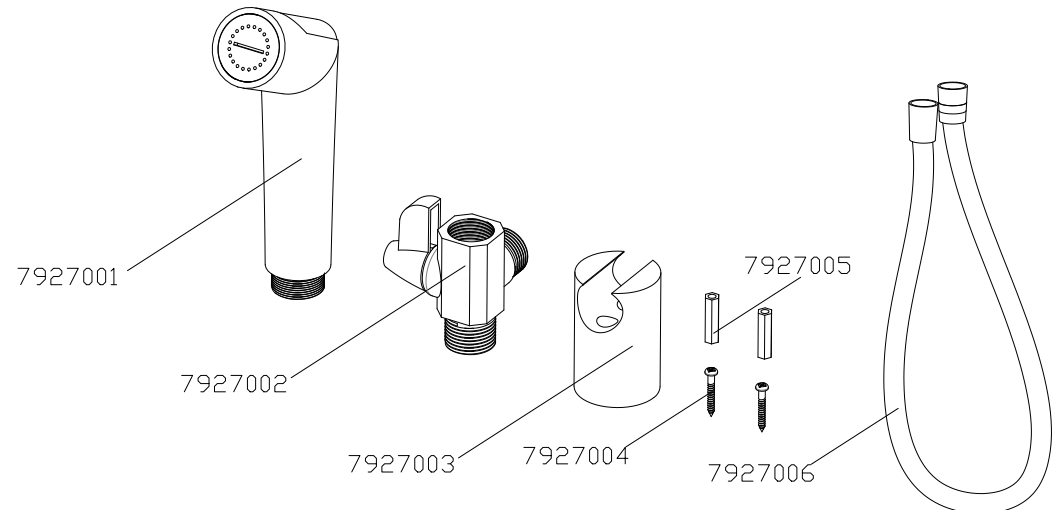
1. Solid brass diverter valve instead of plastic valve, ensures durability.
2. Sprayer with flow regulating button, easy to control flow pressure and flow rate with your fingertips, soft and gentle water will let your pets enjoys the bathe!
3. Perfect ergonomic designed sprayer, comfortable to hold. Even your hands with shampoo or soap, you still can operate easily
4. 8 Feet extra long hose provides enough activity scope for bathing your pets

### Dimensions:



### Part list

Code	Name	QTY
792701	Sprayer	1
792702	Shower arm diverter	1
792703	Shower holder	1
792704	Screws	2
792705	Anchor	2
792706	Shower hose	1



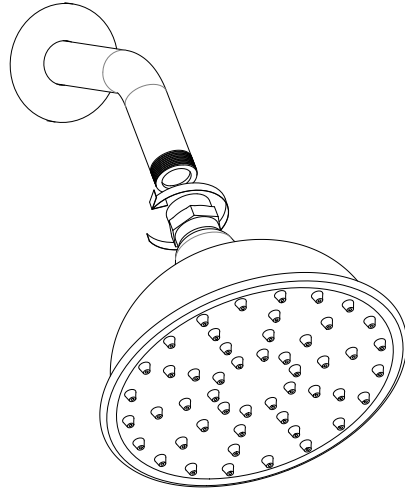
### Specification

Diverter material: Brass  
 Finish: CH/BN/MB  
 Sprayer materials: Plastic  
 shower hose: 8 Feet  
 Shower holder materials: Plastic

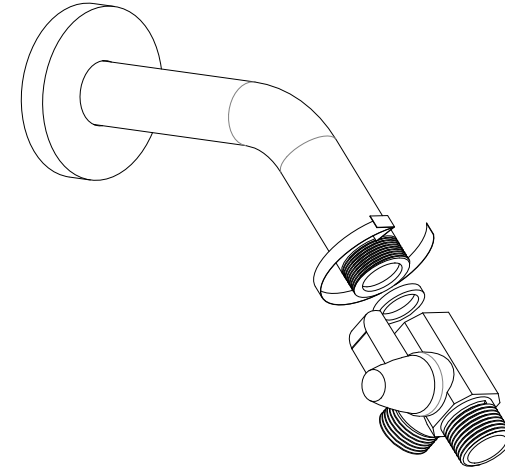


# Installation Instructions

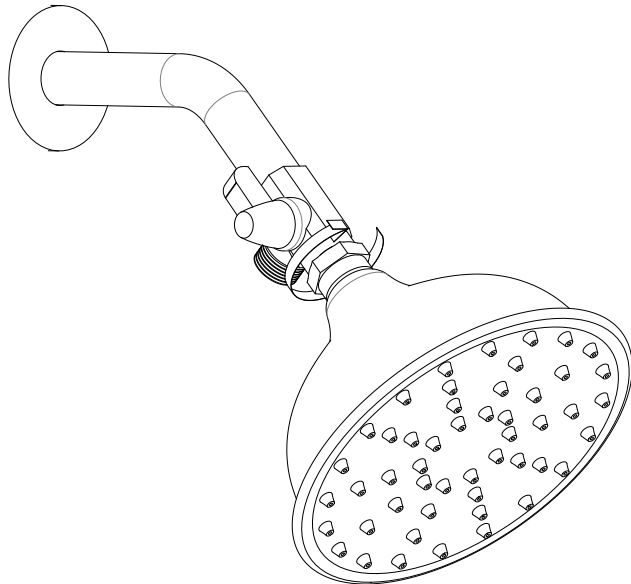
**STEP 1** Remove the existing shower head from shower arm.



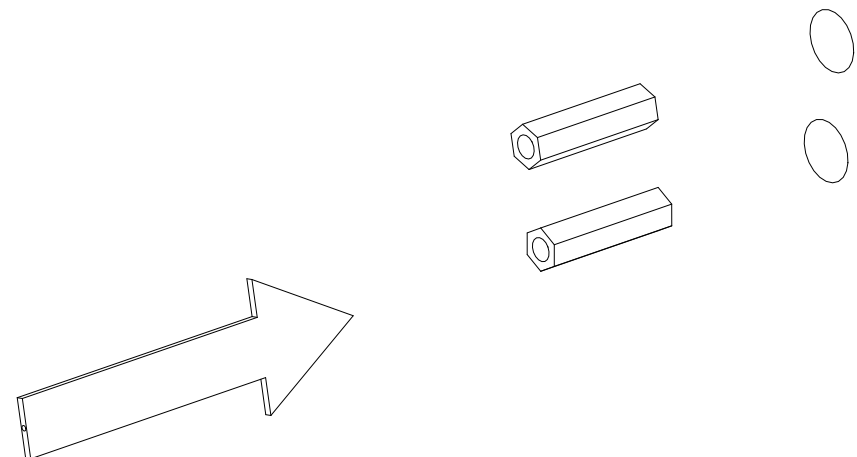
**STEP 2** Attach the shower diverter to shower arm



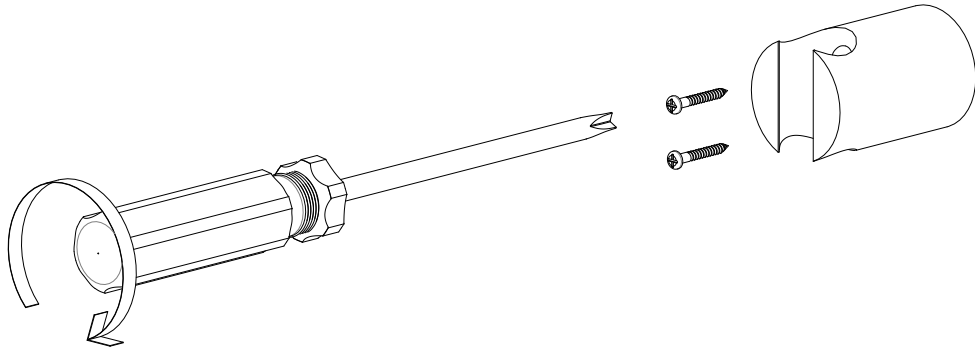
**STEP 3** Install the shower head to diverter outlet



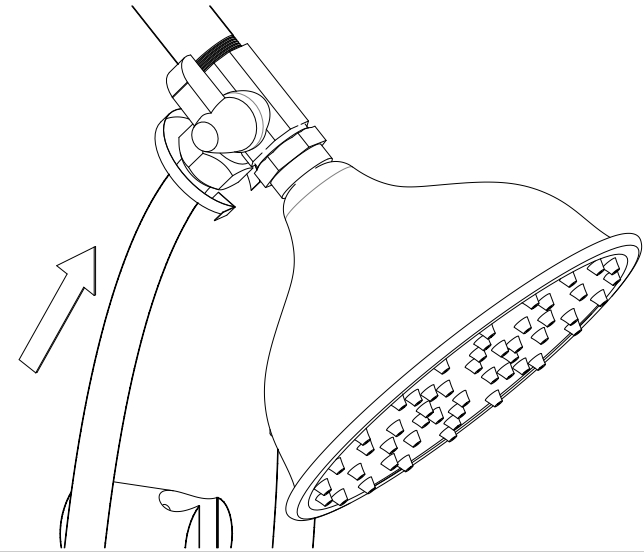
**STEP 4** Drill the hole and install Anchors to the wall



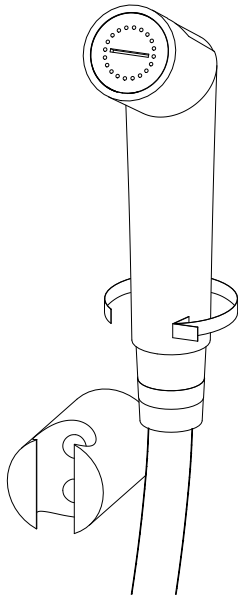
**STEP 5** Mount the shower holder to finish wall by screws



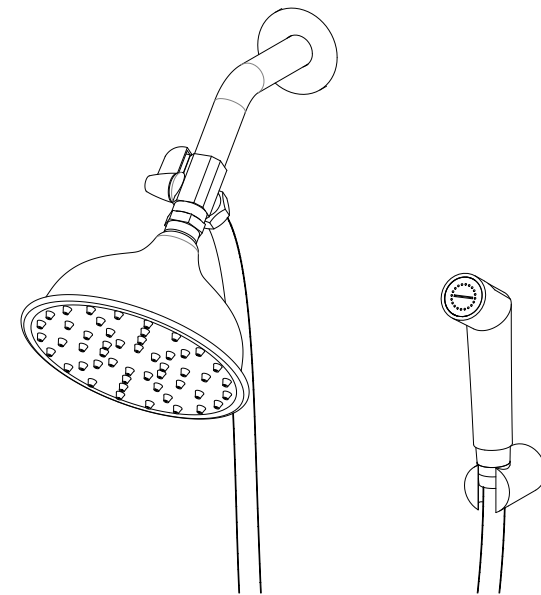
**STEP 6** Connect shower hose to diverter outlet



**STEP 7** Connect the sprayer to shower hose



**STEP 8** Function and leaking inspect. Install finish



# Maintain Instructions

Modern lavatory faucets, kitchen faucets, and showers consist of very different materials to comply with the needs of the market with regard to design and functionality. To avoid damage and returns, it is necessary to consider certain criteria when cleaning.

## Cleaning Materials for faucets and showers

Acids are a necessary ingredient of cleaning materials for removing lime, however please pay attention to the following points when cleaning faucets and showers:

- Only use cleaning materials which are explicitly intended for this type of application.
- Never use cleaning materials which contain hydrochloric, formic, phosphoric, or acetic acid, as they cause considerable damage.
- Never mix one cleaning material with another.
- Never use cleaning materials or appliances with an abrasive effect, such as unsuitable cleaning powders, sponge pads, or micro fiber cloths.

## Cleaning instructions for faucets and showers

Please follow the cleaning material manufacturer's instructions. In addition, pay attention to the following points:

- Clean the faucets and showers as and when required.
- Use the amount of cleaning product and the amount of time recommended by the manufacturer. Do not leave the cleaner on the fixture longer than necessary.
- Regular cleaning can prevent calcification, if scale deposits are noticed on the faucet surface or the spout, you can clean it by a commercial limescale remover, such as Lime-Away® or CLR®. Dilute the remover according to the label instructions.
- The faucets might have some rusty if your faucet under hard water condition, please rub it with aluminum foil dipped in water until the surface is nice and smooth, and wipe it use a small amount of chrome polish or maybe something like car wax (such as Meguiar®, Turtle Wax®) or polish.
- For stainless steel faucet and spout both made of solid stainless, normally this finish has not protective coating on it (in particular waterfall spout inside), stainless steel is by its material nature very tarnish resistant, but by no means tarnish or stain proof. This finish might oxidize naturally over time and react to its environment. Keep your stainless fixture wiped clean and dry and use only a cleaner specifically made for stainless steel (such as Weiman®, CLR®).
- When using spray cleaners, spray first onto a soft cloth or sponge, never spray directly onto the faucet as droplets can enter openings and gaps and cause damage.
- After cleaning, rinse thoroughly with clean water to remove any cleaner residue.

## Important

Residues of liquid soaps, shampoos, and shower foams can also cause damage, so rinse with clean water after using.

**Please note:** if the surface is already damaged, the effect of cleaning materials will cause further damage.

**Components with damaged surfaces must be replaced or injury could result.**

**Damage caused by improper treatment is not covered under the warranty.**

**SUMERAIN SANITARY INDUSTRY  
CO., LIMITED [ASIA]**

Factory Address: Shuikou Industrieller  
Park, Kaiping State,  
Guangdong Province,  
China

Web: [www.sumerain.com](http://www.sumerain.com)

E-mail: [supports@sumerain.com](mailto:supports@sumerain.com)

Tel: +1-866-203 0866

**SUMERAIN®**