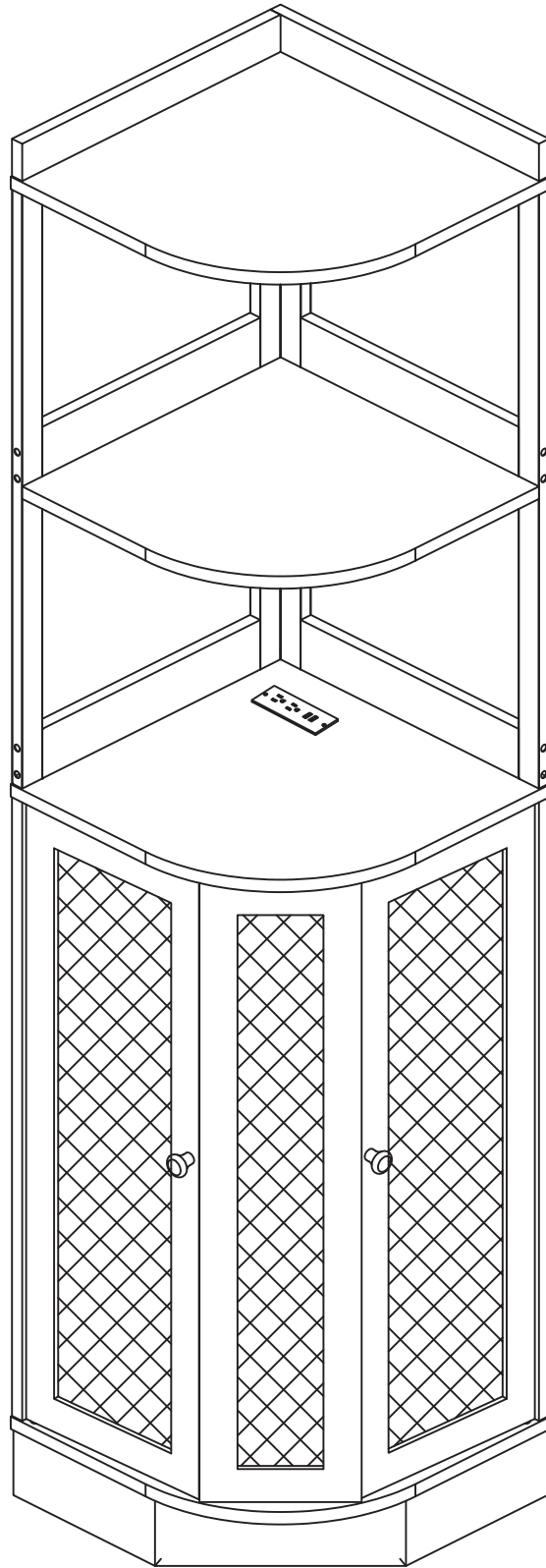
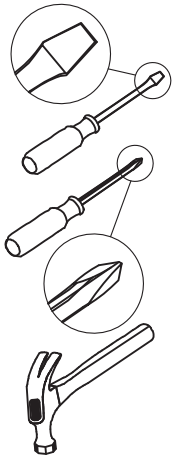


# Corner Bar Cabinet



# Before You Start



Read through each step carefully and follow the proper order

Separate and count all your parts and hardware

Give yourself enough room for the assembly process

Have the following tools: Flat Head Screwdriver, #2 Phillips Head Screwdriver and Hammer

Caution: If using a power drill or power screwdriver for screwing, please be aware of to slow down and stop when screw is tight. Failure to do so may result in stripping the screw.

**The remote control comes with no button battery, please equip yourself.**

# Helpful Hints

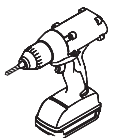
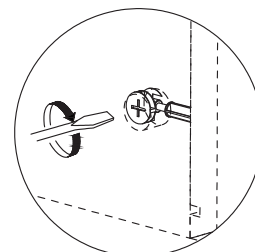
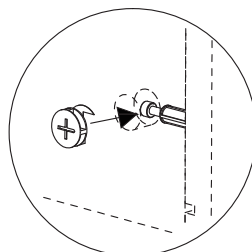
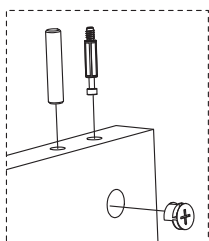
PEOPLE NEEDED FOR ASSEMBLY: 1-2

- Open your item in the area you plan to keep it to avoid excessive heavy lifting
- Identify, sort and count the parts before attempting assembly.
- Compression dowels are lightly tapped in with a hammer.
- Slides are labeled with an **R** (right) and **L** (left) for proper placement.
- Make sure to always face the point on the top of the Cam Lock towards the outer edge.
- Use all the nails provided for the back panel and spread them out equally.
- Back panel must be used to make sure your unit is sturdy.
- Do NOT use harsh chemicals or abrasive cleaners on this item.
- Never push, pull, or drag your furniture.

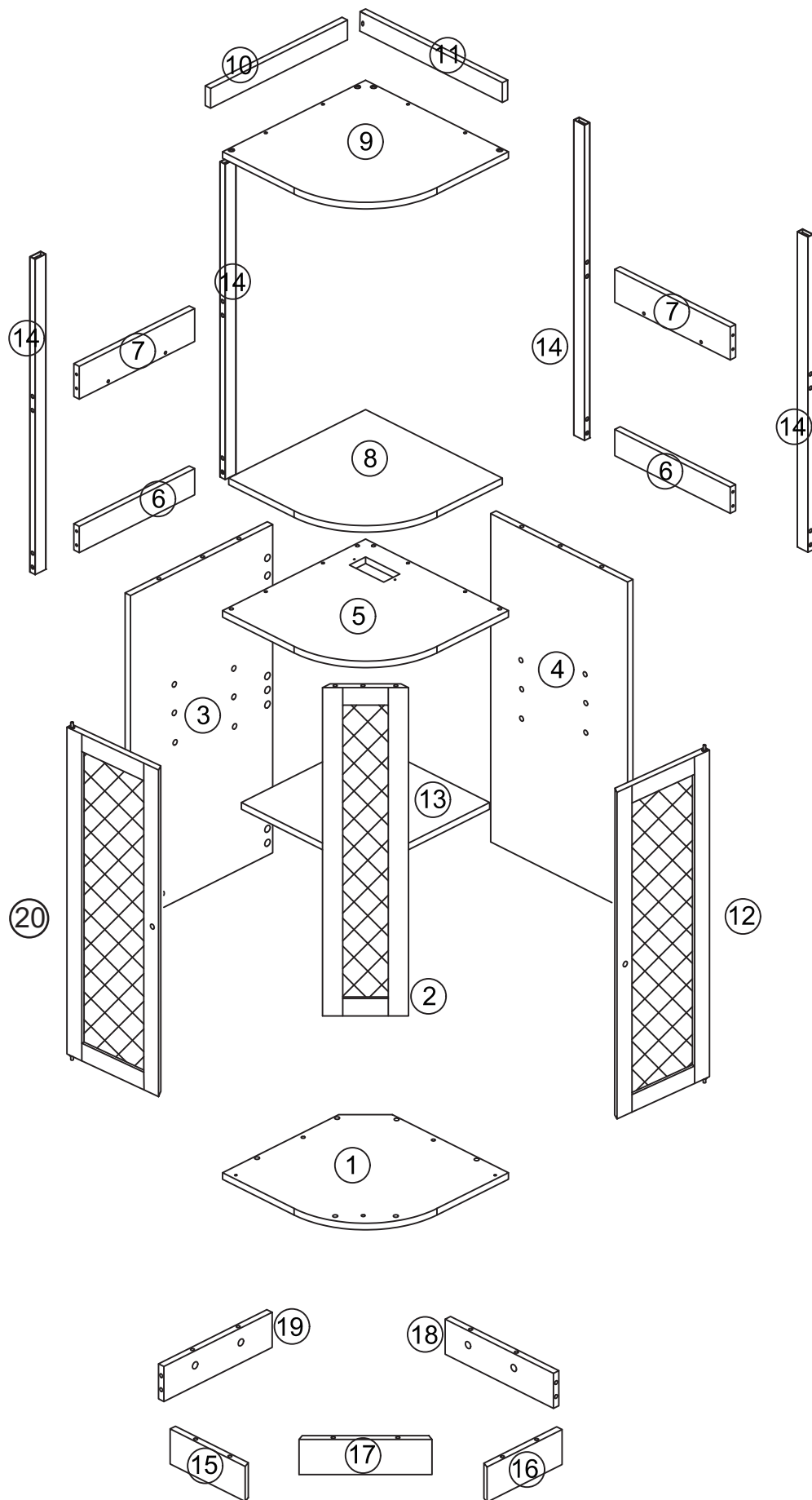


## REMARK:

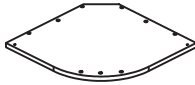
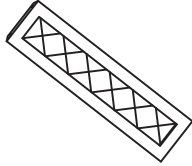

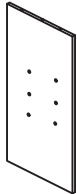


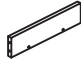
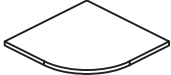










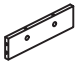

### MIN FIX POSITION






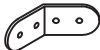

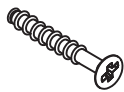
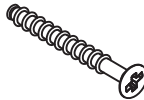


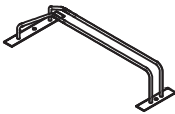
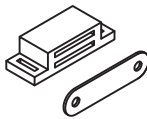

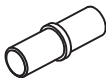

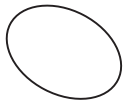

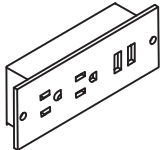

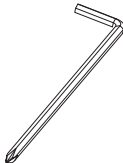
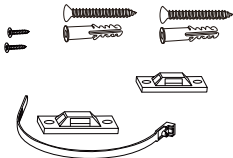
# Exploded Drawing



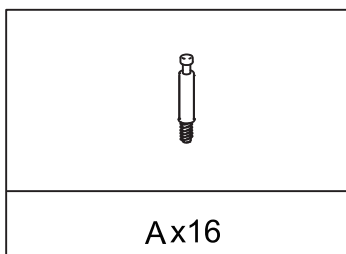
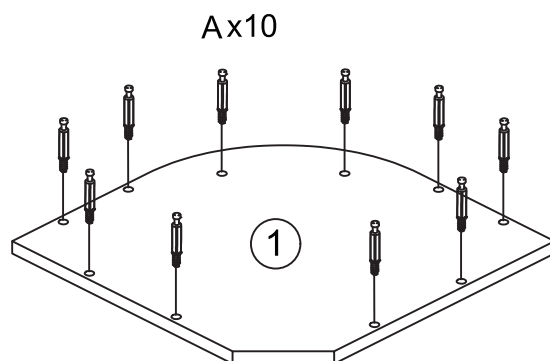
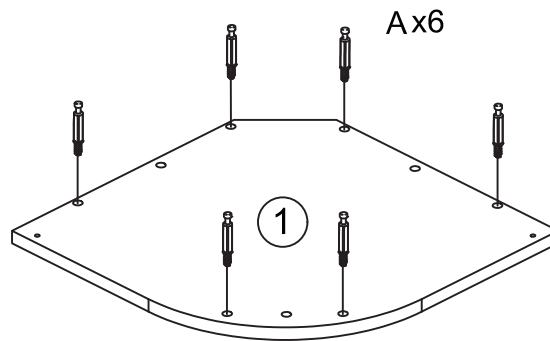
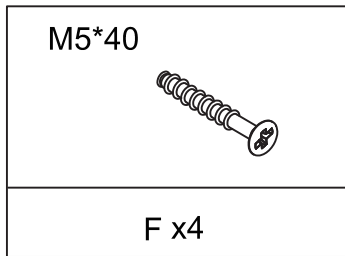
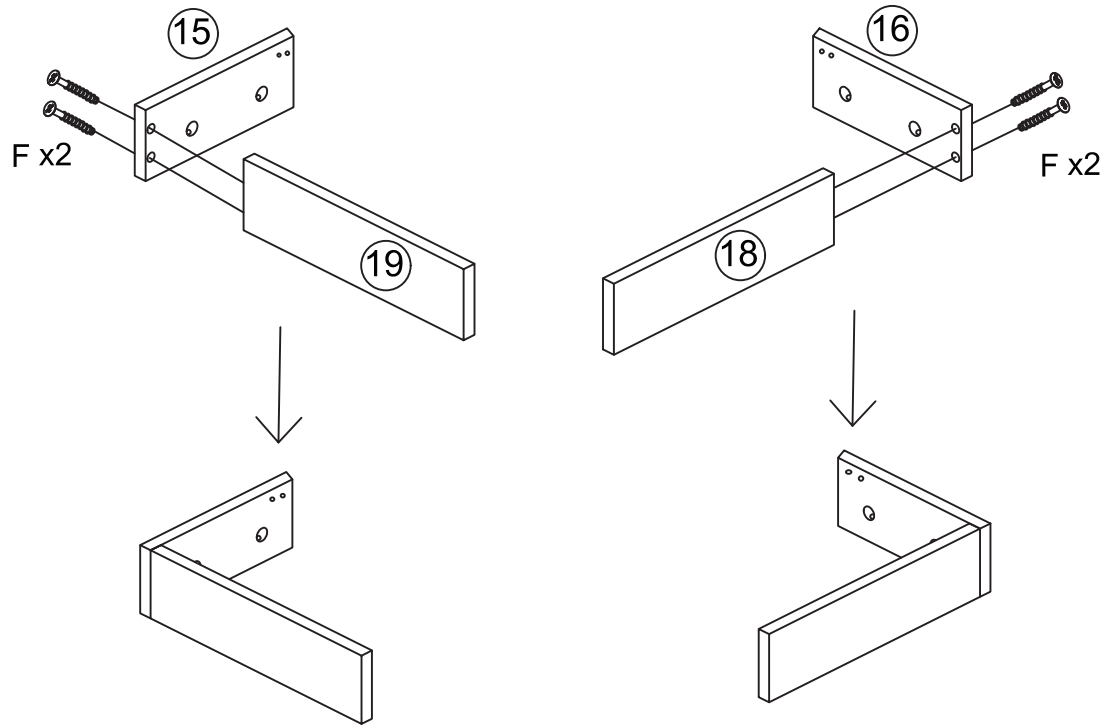
# Parts

Board  ① x1	Middle door  ② x1	Board  ③ x1	Board  ④ x1
Board  ⑤ x1	Wood lath  ⑥ x2	Wood lath  ⑦ x2	Board  ⑧ x1
Board  ⑨ x1	Wood lath  ⑩ x1	Wood lath  ⑪ x1	Right door  ⑫ x1
Board  ⑬ x1	Metal rack  ⑭ x4	Wood base lath  ⑮ x1	Wood base lath  ⑯ x1
Wood base lath  ⑰ x1	Wood base lath  ⑱ x1	Wood base lath  ⑲ x1	Left door  ⑳ x1

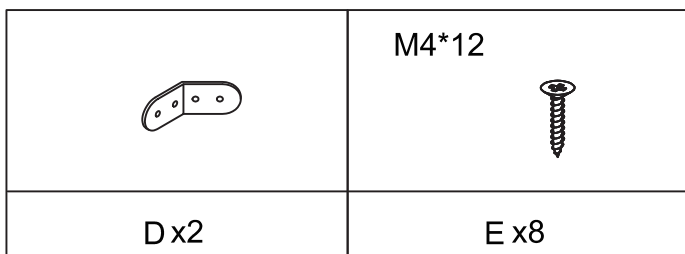
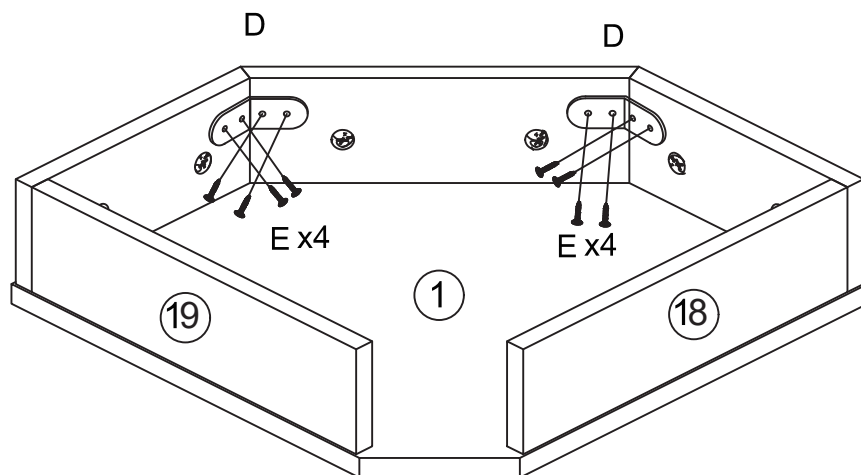
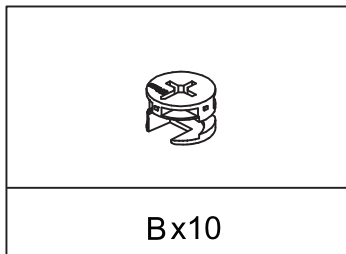
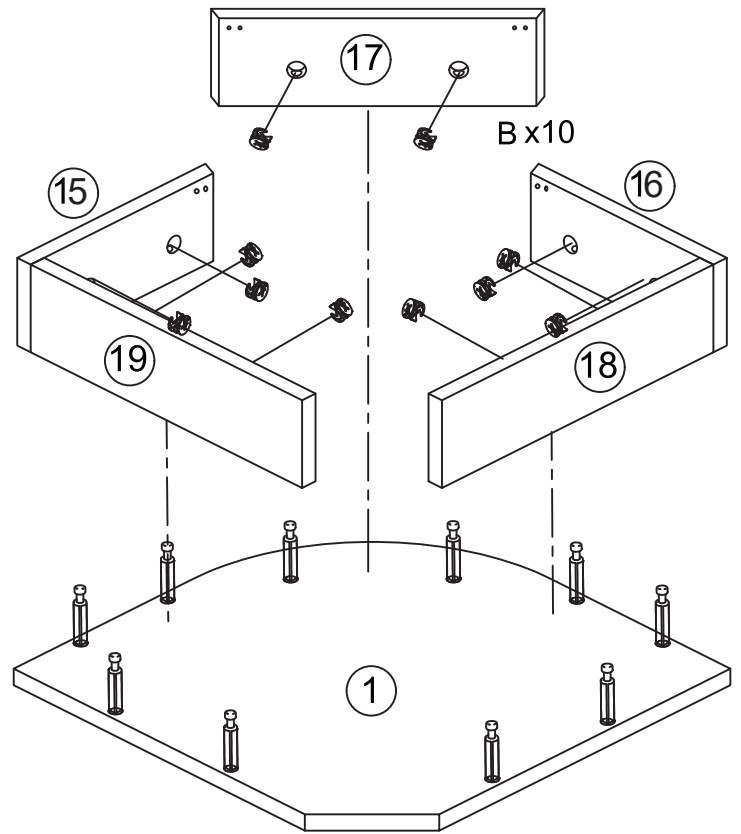
# Accessory Parts List

<p>Bolt</p>  <p>Ax25</p>	<p>Cam lock</p>  <p>B x25</p>	<p>Wooden dowel</p>  <p>8*40</p> <p>Cx10</p>	<p>Metal connector</p>  <p>Dx2</p>
<p>Screw</p>  <p>M4*12</p> <p>Ex14</p>	<p>Bolt</p>  <p>M5*40</p> <p>F x17</p>	<p>Bolt</p>  <p>M6*50</p> <p>Gx16</p>	<p>Bolt</p>  <p>M6*25</p> <p>Hx8</p>
<p>Door knob screw</p>  <p>I x2</p>	<p>Wine rack</p>  <p>J x2</p>	<p>Magnetic door catch</p>  <p>K x2</p>	<p>Screw</p>  <p>M3*14</p> <p>L x8</p>
<p>Shelf support pin</p>  <p>Mx6</p>	<p>Door knob</p>  <p>Nx2</p>	<p>Hold sticker</p>  <p>O</p>	<p>Door support pin</p>  <p>P x4</p>
<p>Ac power socket</p>  <p>Qx1</p>	<p>LED strip</p>  <p>Rx1</p>	<p>Key wrench</p>  <p>S x1</p>	<p>Anti tipping fixing strap</p>  <p>Tx2</p>

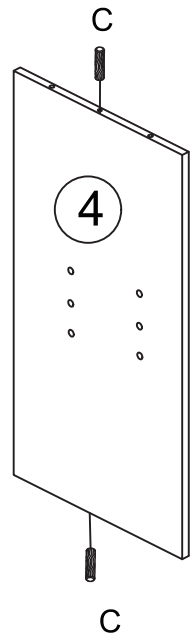
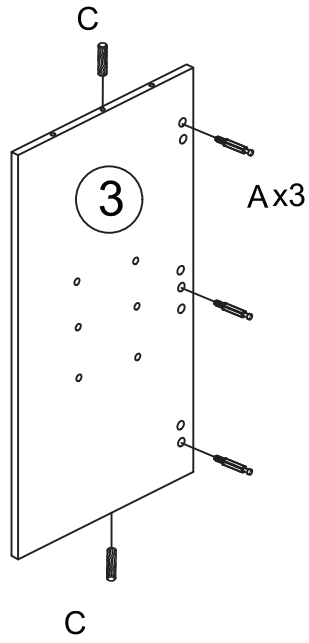
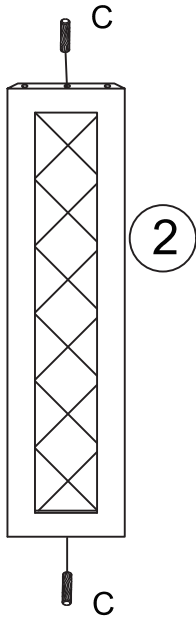
# Step 1





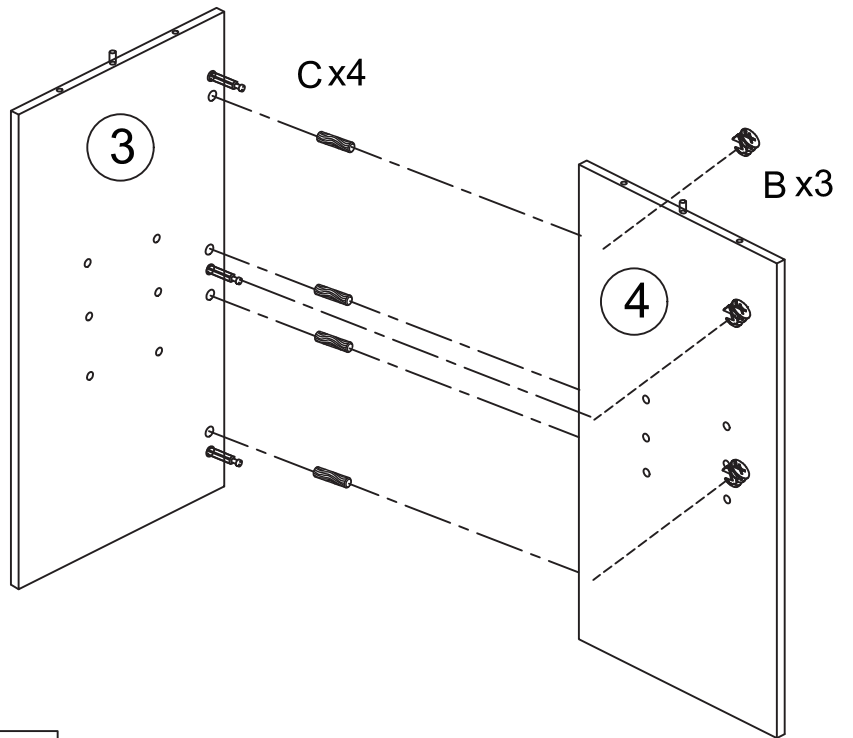
# Step 2





# Step 3

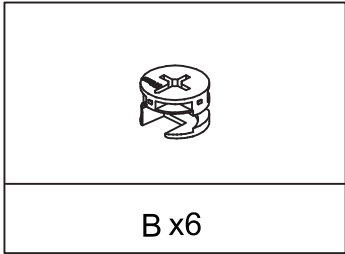
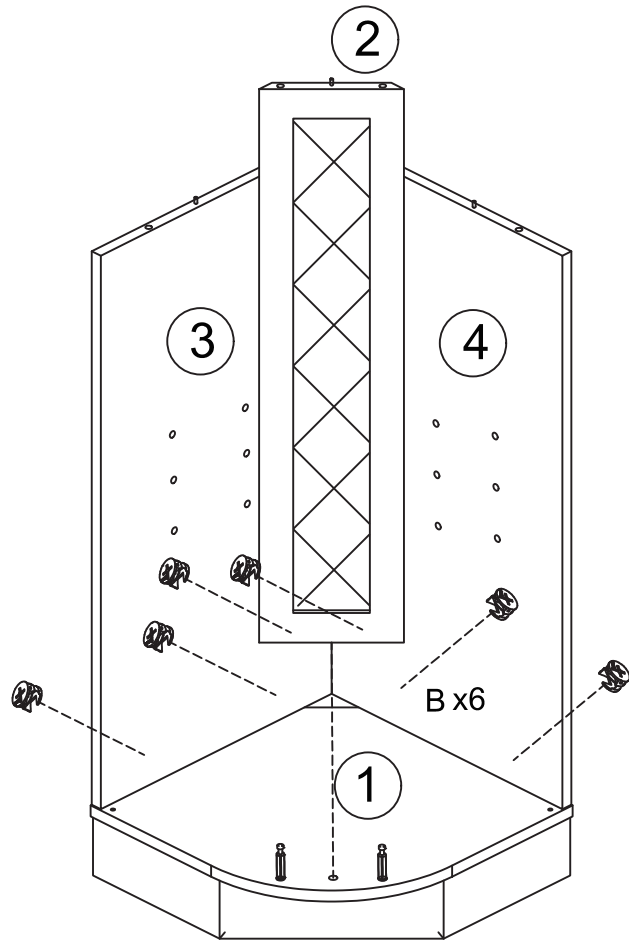


8*40 	
Cx6	Ax3



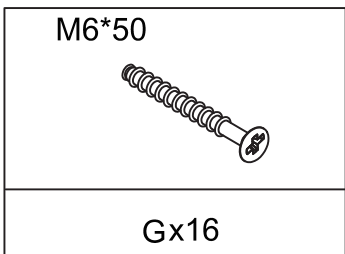
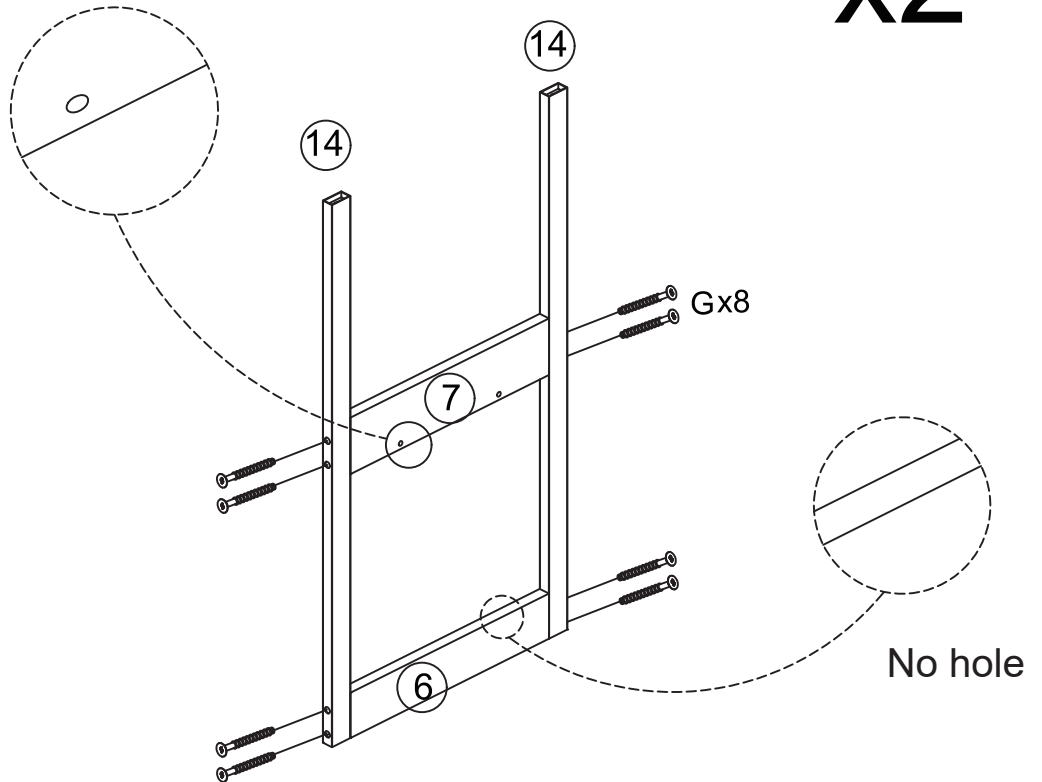
	8*40 
Bx3	Cx4

# Step 4

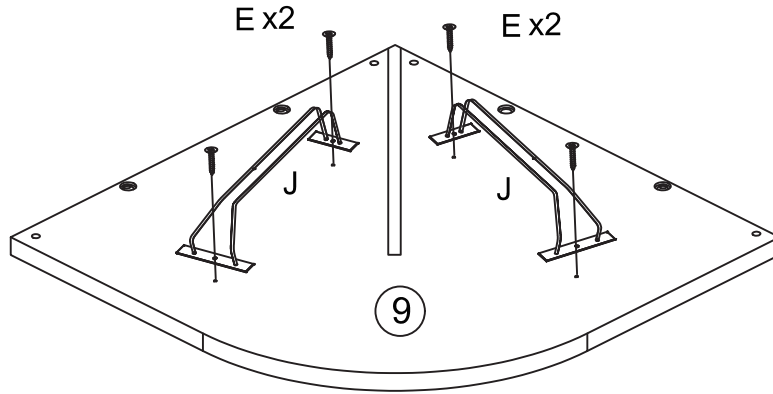



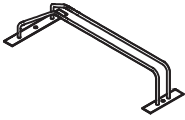
x2

Big holes facing out



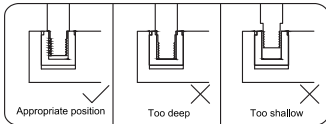
# Step 5



M4*12 	
E x4	J x2

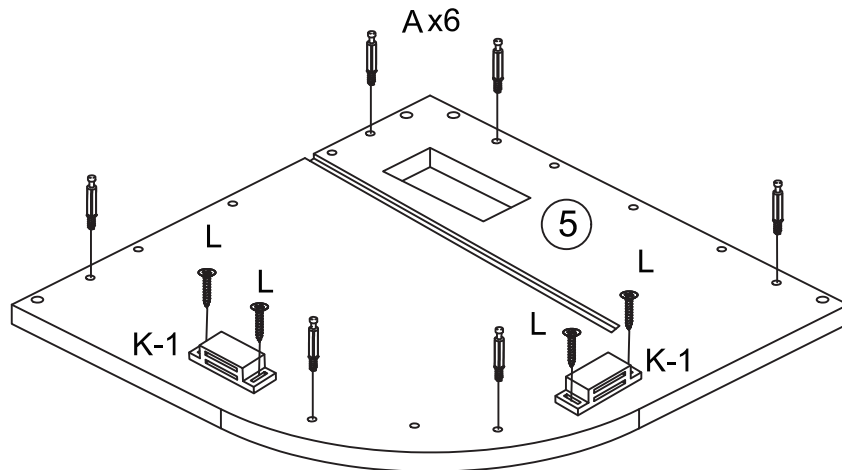
**REMARK:**

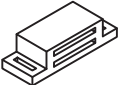



Please do not screw **A** too deep or too shallow.



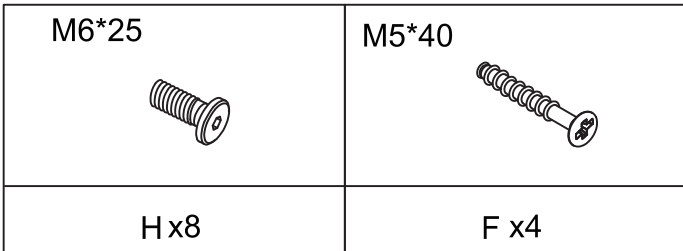
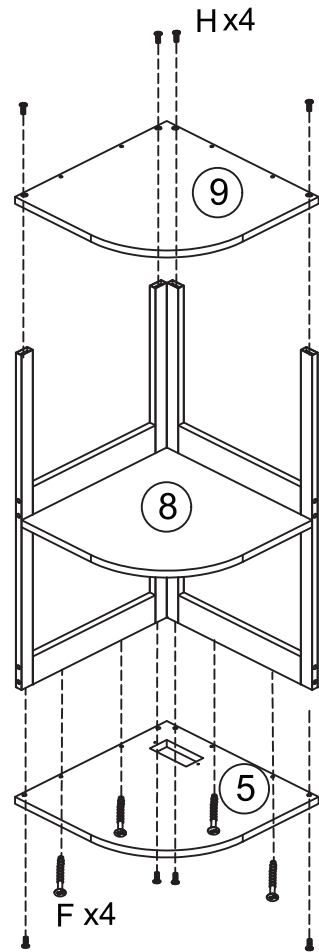
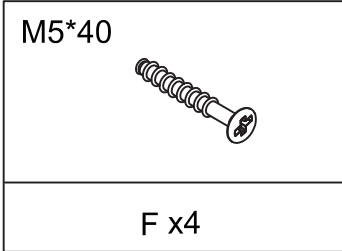
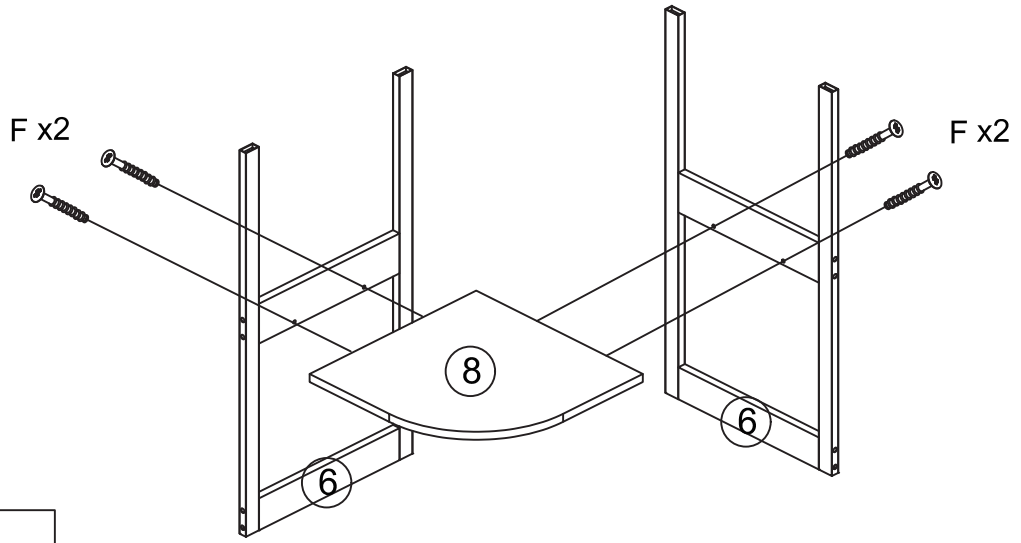
**REMARK :**

Put a blanket under the board to avoid scratch or damage.



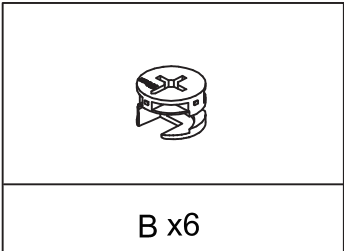
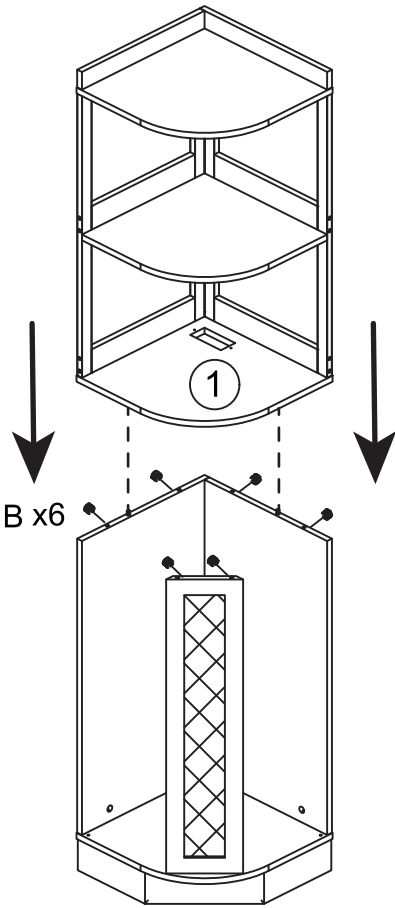
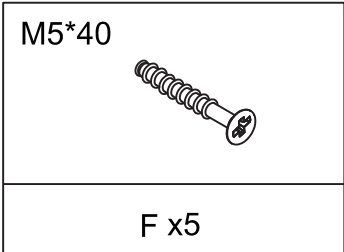
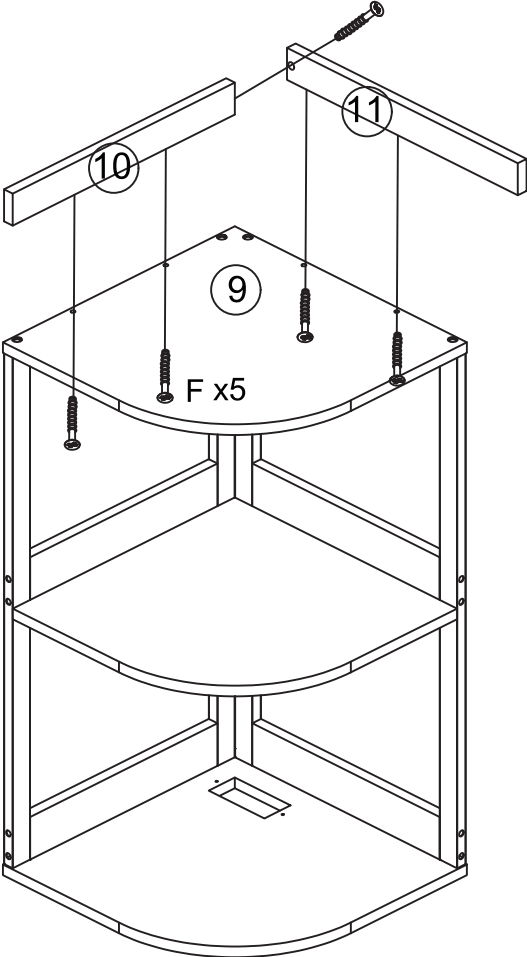
K-1 	K-2 	M3*14 	
K x2		L x4	A x6

# Step 6

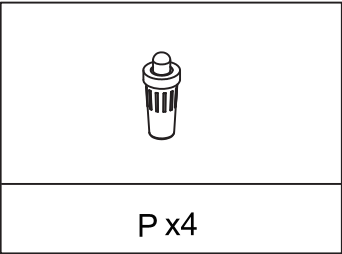
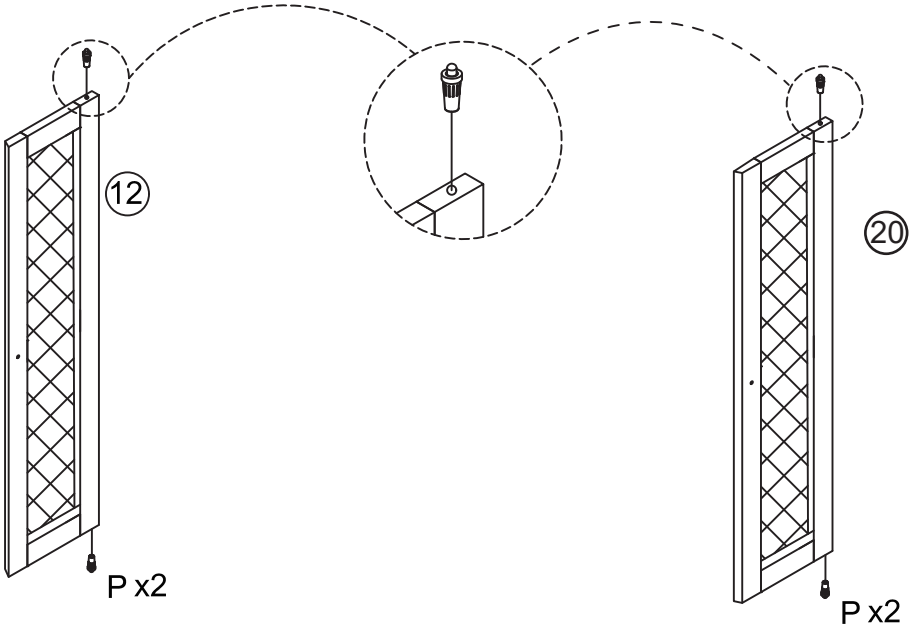
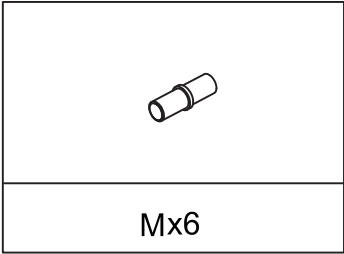
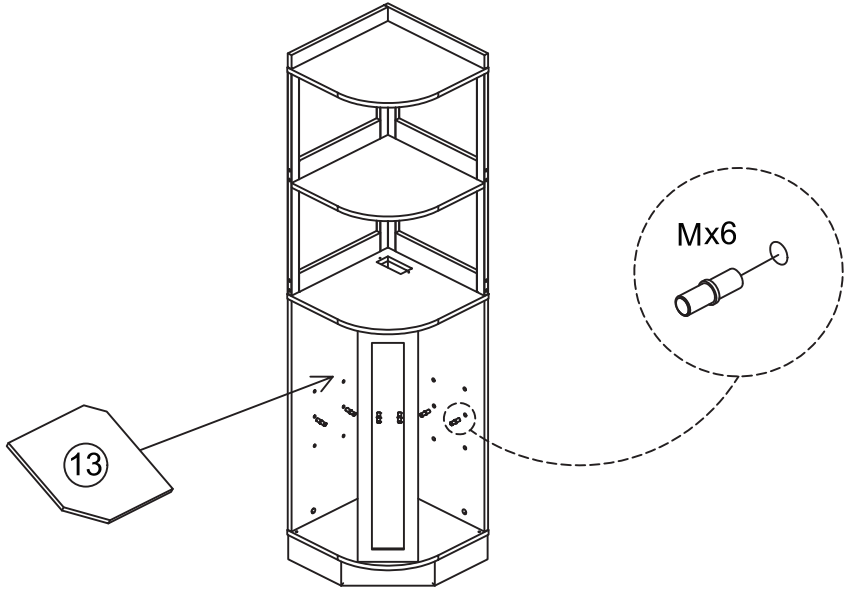


H x4

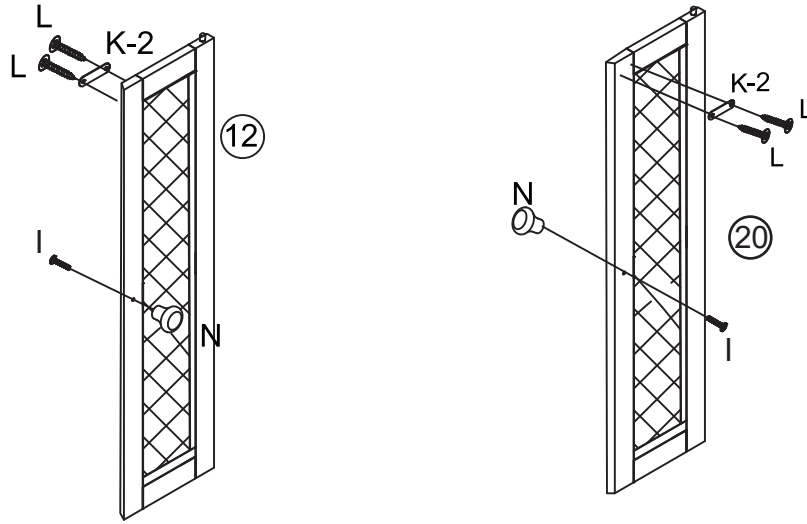
# Step 7


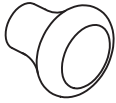
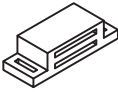
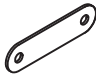



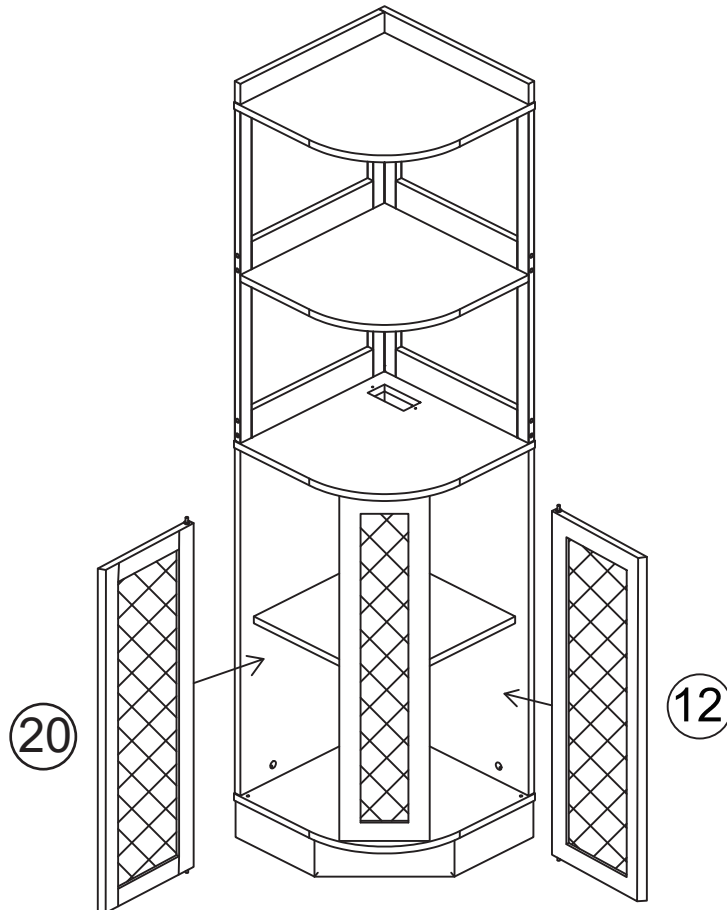
# Step 8



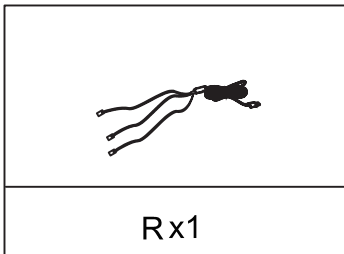
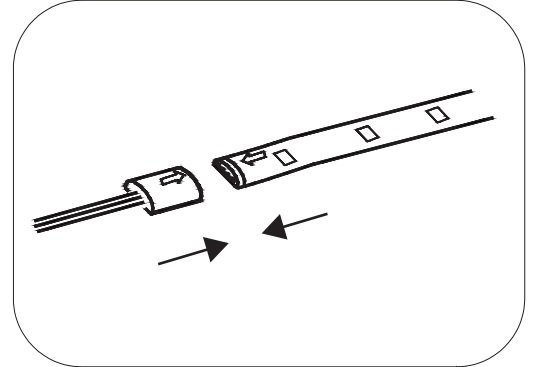
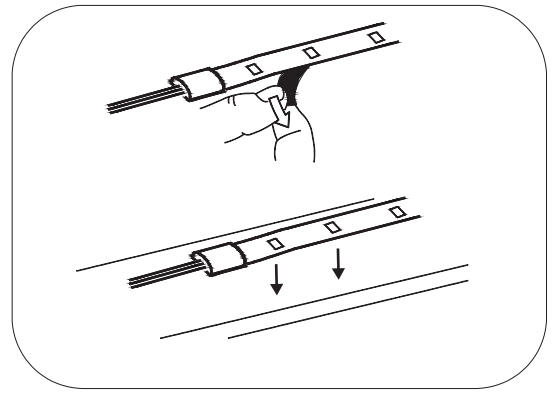
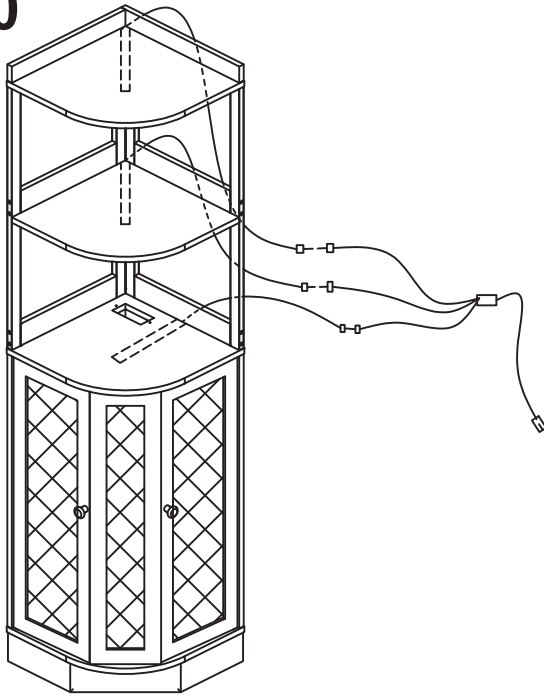
# Step 9



				
I x2	Nx2	K x2		L x4

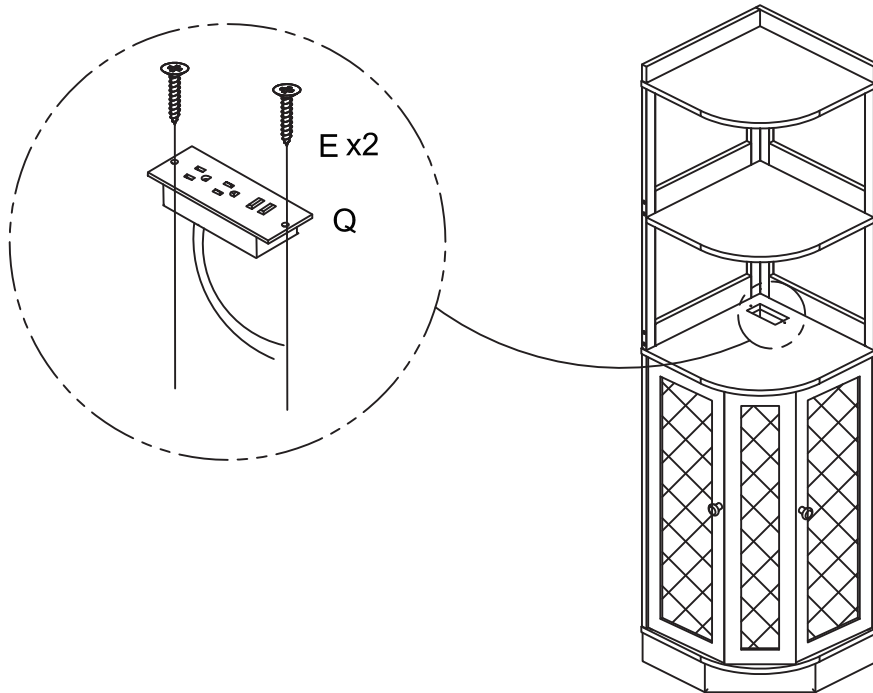


# Step 10



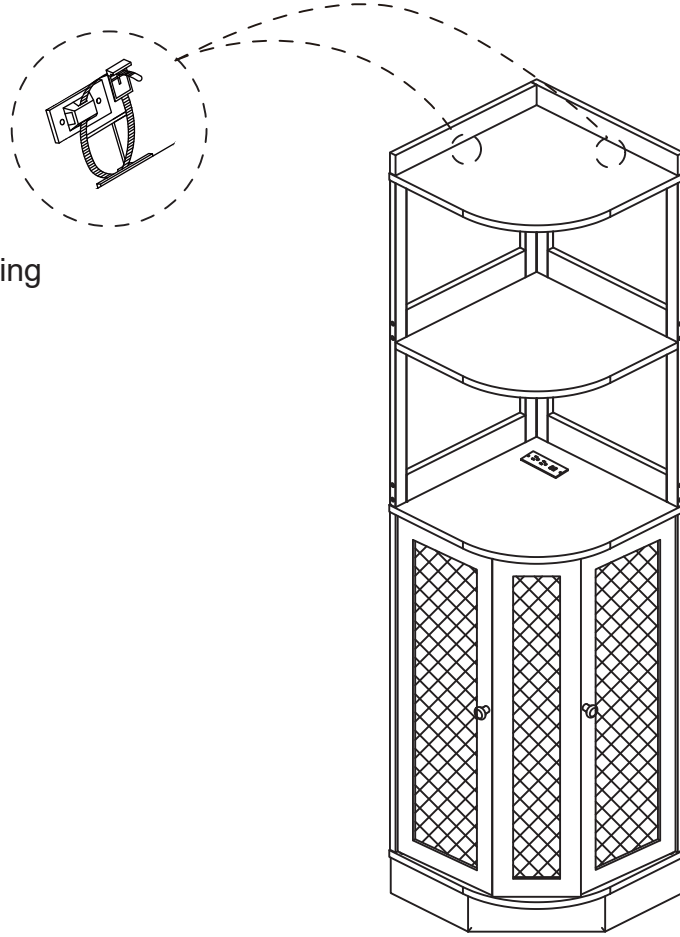
LED strip can be gently through the slotted position, pay attention to the direction of the connection, adjust the position can be torn off the back of the strip 3M adhesive.

Warm Tips: When testing the light strip, that the remote control is no button battery, you need to equip yourself.thank you!

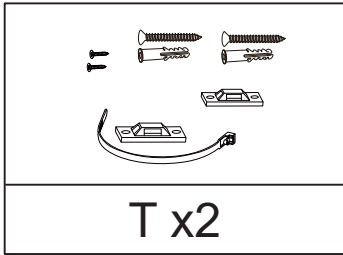


	M4*12 
Qx1	E x2

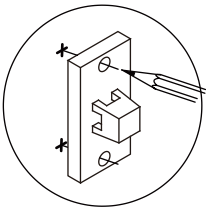
# Step 11



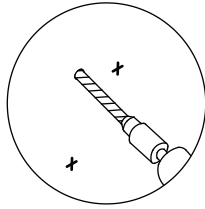
Anti tipping installation schematic:  
You can decide to install an anti tipping fixing strap according your needs.



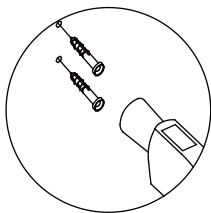
## Installation Steps



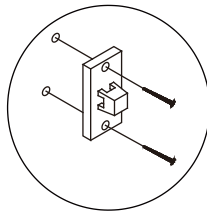
1, Mark the wall



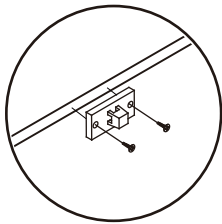
2, Drill holes in the wall



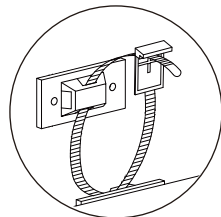
3, Push in the plastic plug



4, Insert long screws into the wall to fix the clasp



5, Secure the clasp with short screws at the ⑨ board side



6, Push the plastic tie through the holes in the two clasps and tighten it.

Tips: The screws that leak outside cabinet can be added O hole sticker or not by yourself.