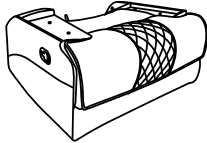
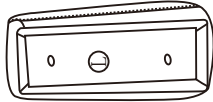
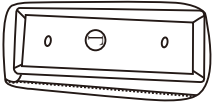
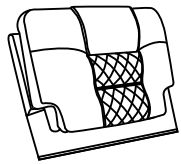

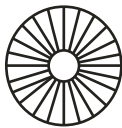



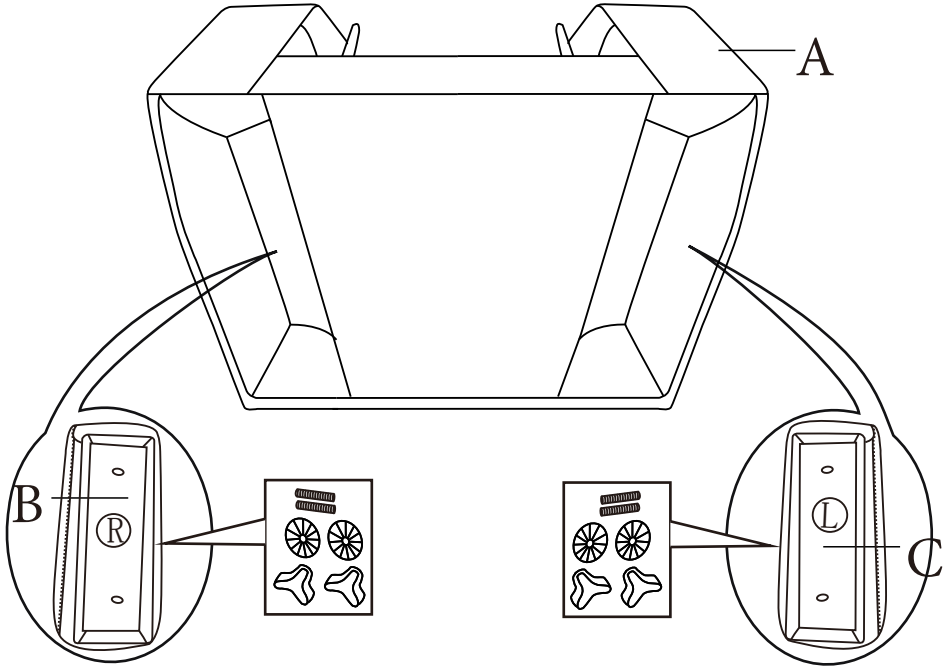
ASSEMBLY INSTRUCTION SWIVEL GLIDER RECLINING CHAIR

The Metal pin are all wrapped together and placed on the back of the armrest
 NOTE: Do not use power tools for assembly. Power tools increase the risk of over tightening which leads to splitting or cracking the wood.

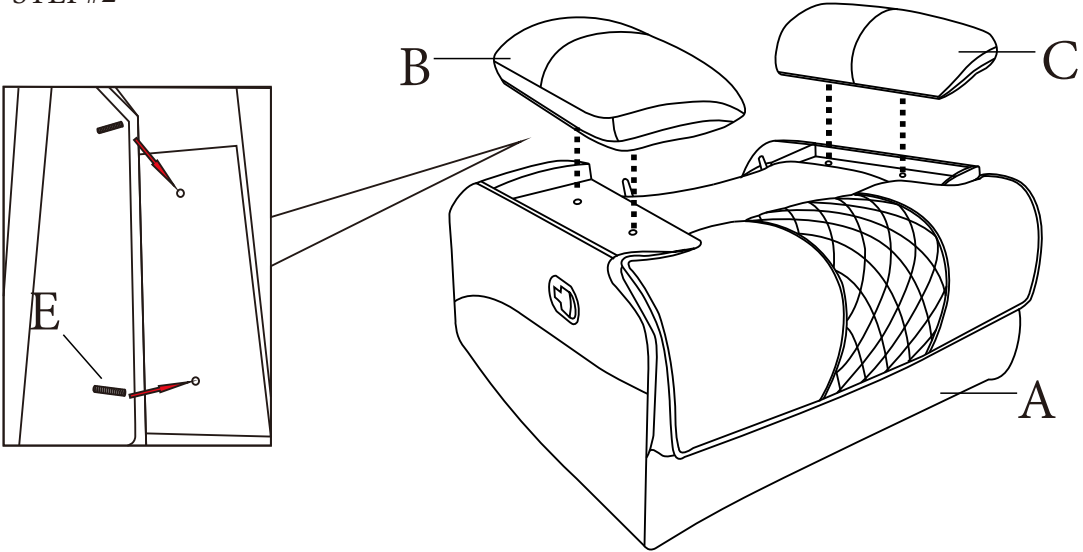
COMPONENT LIST (CHAIR)

NO.	DRAWING	QTY	DESCRIPTION
A		1	SEAT
B		1	LSF ARM
C		1	RSF ARM
D		1	BACKREST
E		4	THREADED BOLT M6*6CM
F		4	WASHER
G		4	STAR KNOB

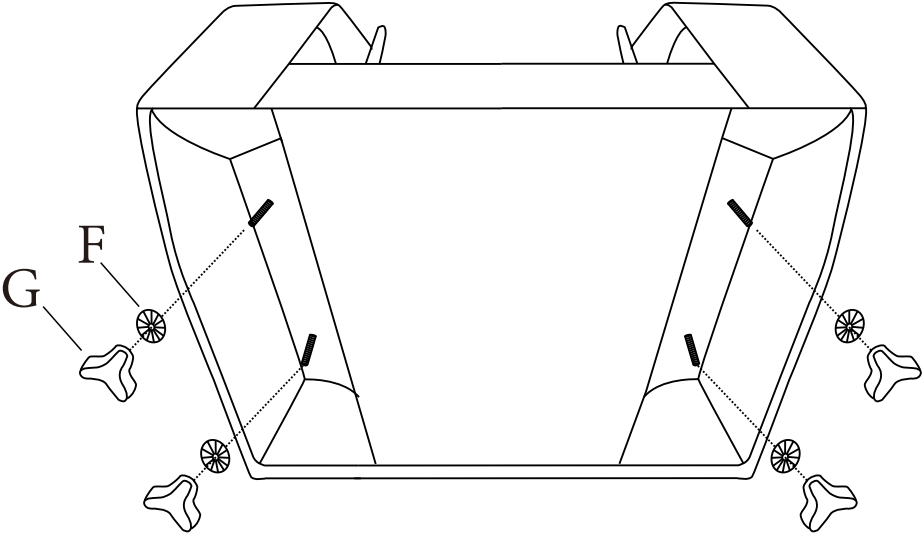
STEP#1



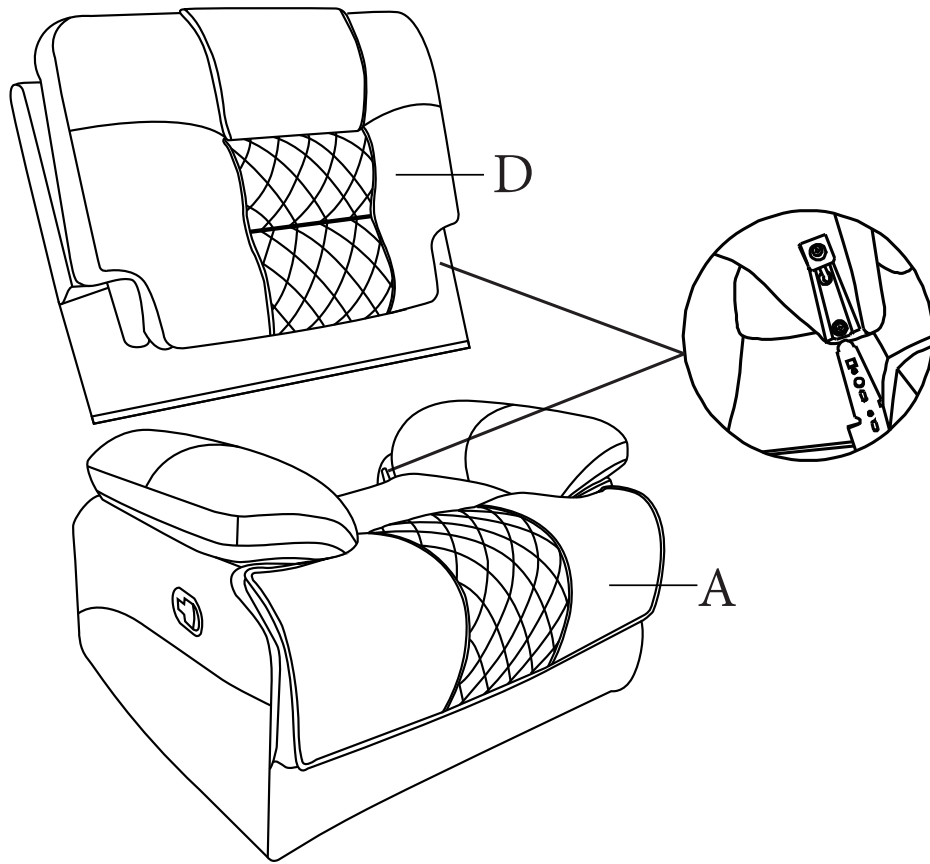
STEP#2



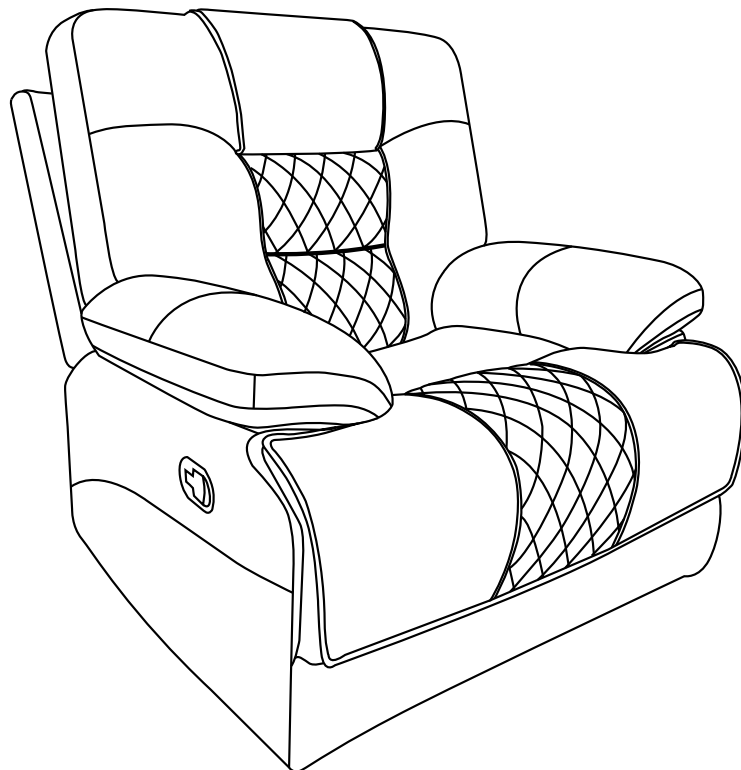
STEP#3

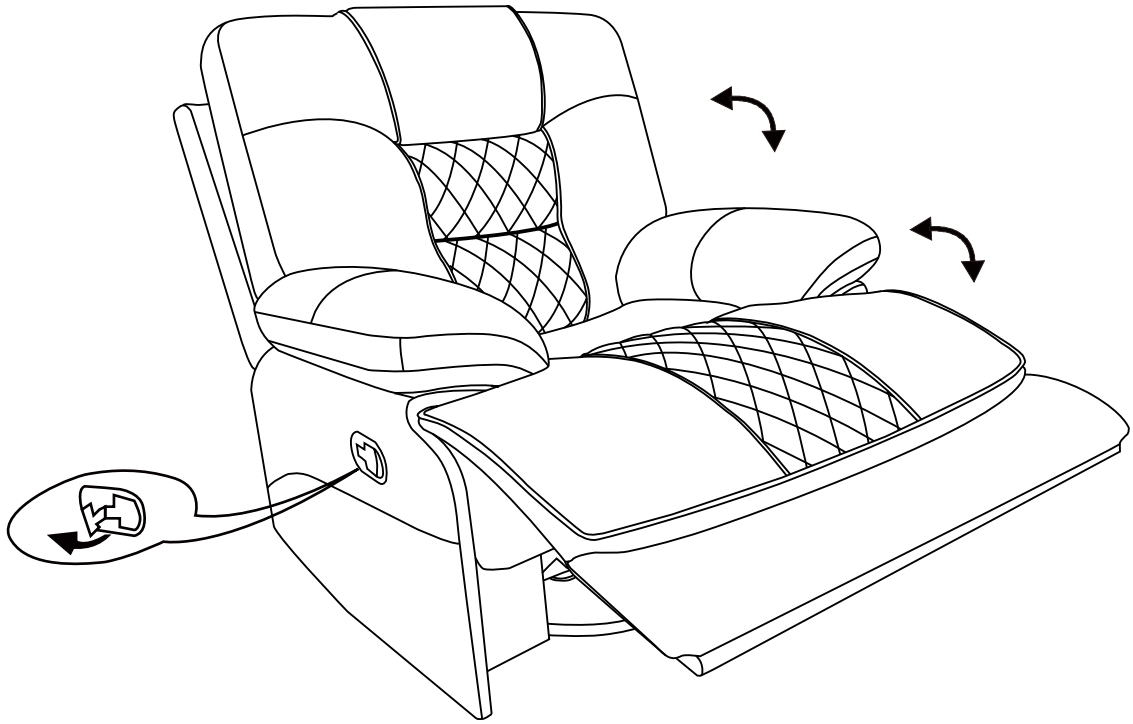


STEP#4



STEP#5





Care Instruction for Leather Air Furniture:

In order to maintain the original appearance of your leather air furniture, please follow below simple care procedures:

- Avoid exposing furniture directly to sunlight or heating and air conditioning outlets. Sunlight and / or exposure to heating and air conditioning outlets will fade / damage leather air furniture.
- Do not place your upholstered furniture too close to windows, radiators, or vents and be sure to use window, radiators, or vents.
- Vacuum or wipe with a soft brush to remove dust.



- For items used on wooden floor, hard surfaces or carpets, it is recommended to install protective pads.
- Under all legs supports to avoid / prevent from damages / scratches discoloration.