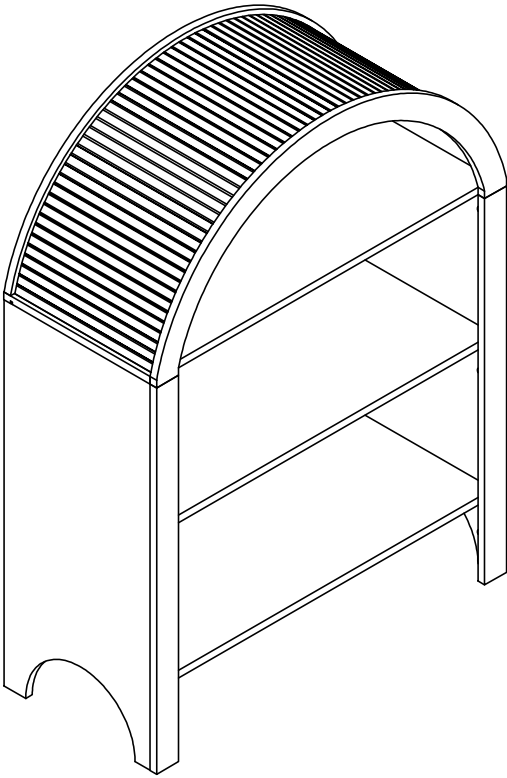
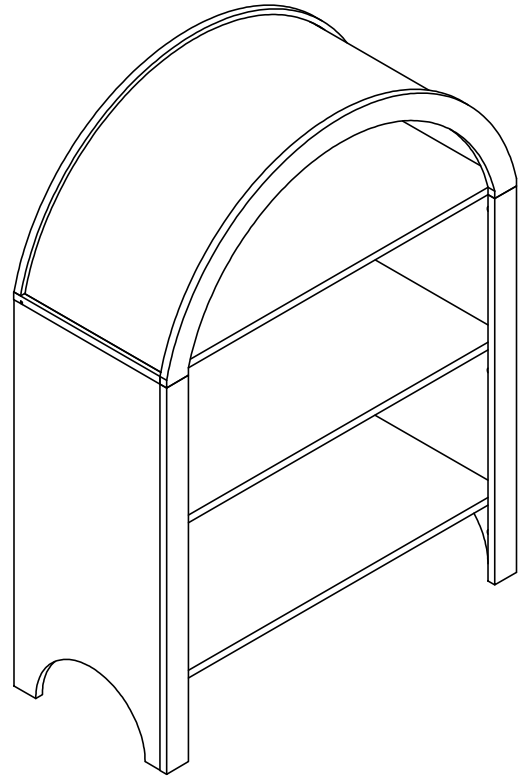


Installation Instruction



OR



Assembling

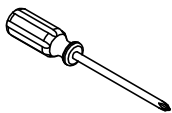
Estimated time for assembly



45 : 00

What you need

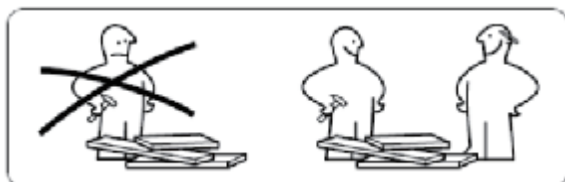
- Use the packaging carton as a working surface to prevent product damage during assembly
- Phillips head screwdriver



Weight Limitation



100 | **35**
lbs table top lbs per

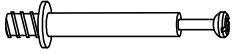


What' included

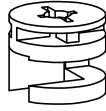
Code	Description	Qty
A	Cam Bolt M6X35MM	26
B	Cam Lock 15X12MM	26
C	Wooden Dowel M8X30MM	12
D	Screw M4X40MM	5
E	Screw M3.5X14MM	2
F	Anchor	2
G	L-shaped metal sheet	2
H	Screw M3.0X14MM	12
I	The back button	12
J	Foot nail	4
K	Circular hole Decals	26
L	Shelf Holder	4

The Hardwares

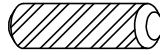
(A)



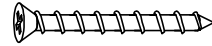
(B)



(C)



(D)



(E)



(F)



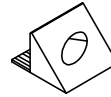
(G)



(H)



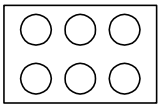
(I)



(J)



(K)



(L)



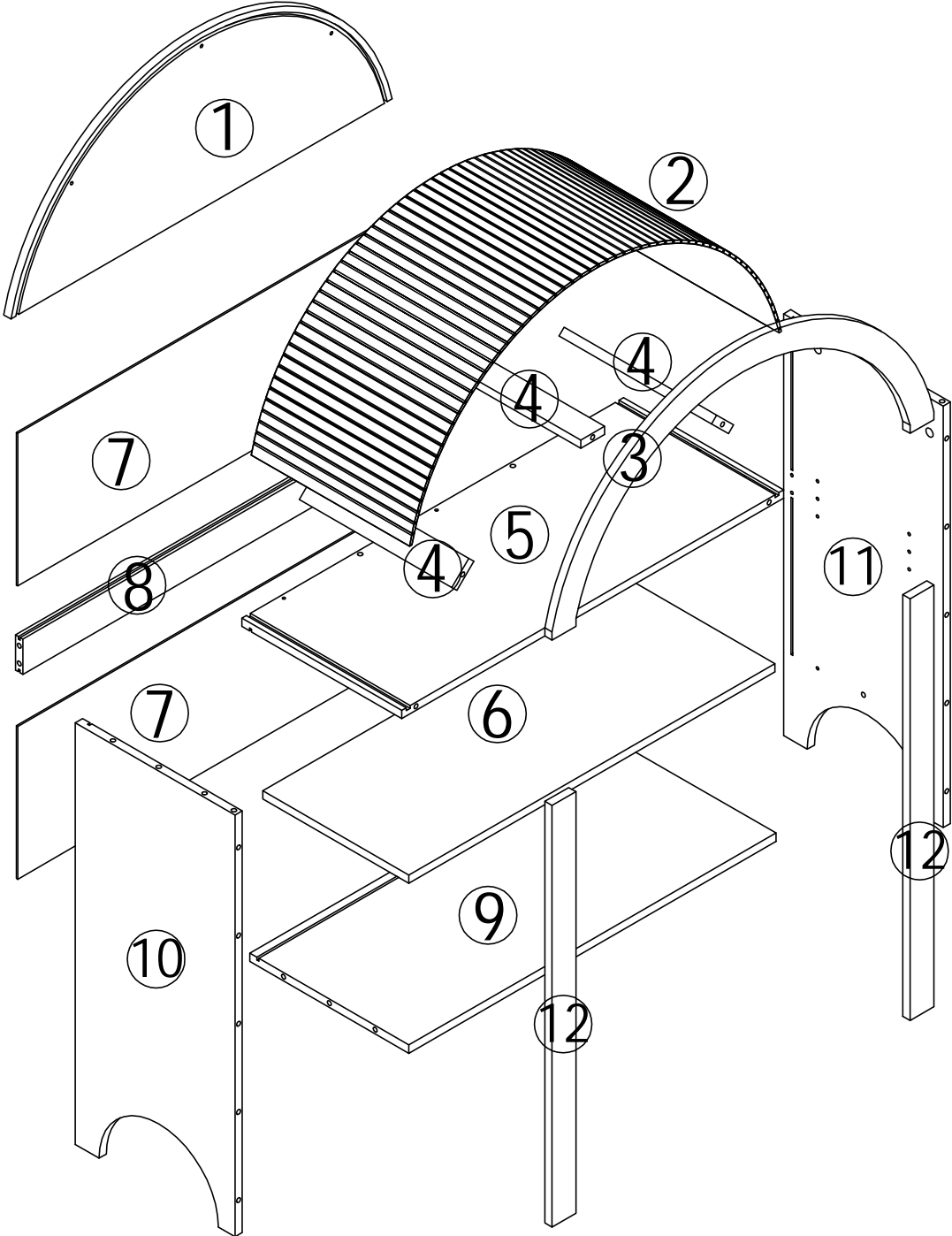
IMPORTANT:

1. Do not tighten bolts / screws completely until all bolts / screws are lined up and inserted into holes.
2. Do not over tighten screws and bolts to avoid stripping
3. Please use hand tools to assemble this product. Do not use power tools.

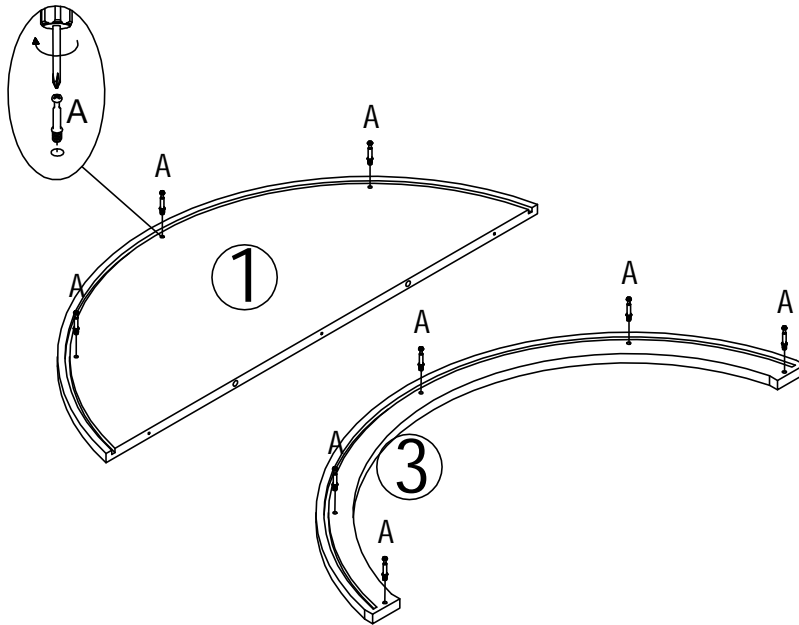
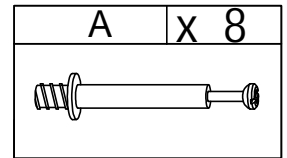
Included Accessories

Code	Description	Qty
1	Top back panel	1
2	Top plate	1
3	Curved strip	1
4	Reinforcing strip	3
5	Cabinet top	1
6	Movable laminated plate	1
7	Backboard	2
8	Back tie	1
9	Bottom panel	1
10	Left side panel	1
11	Right side panel	1
12	Decorative strip	2

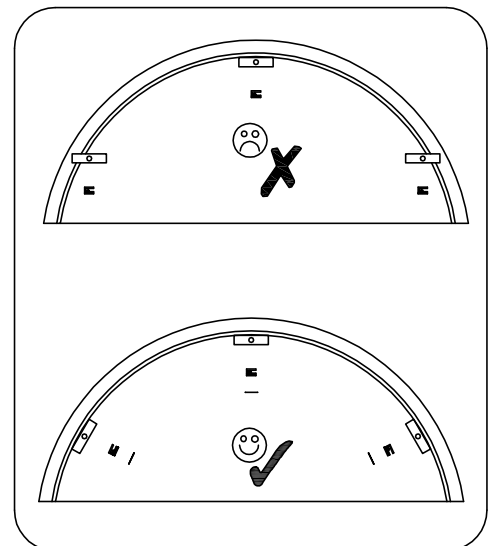
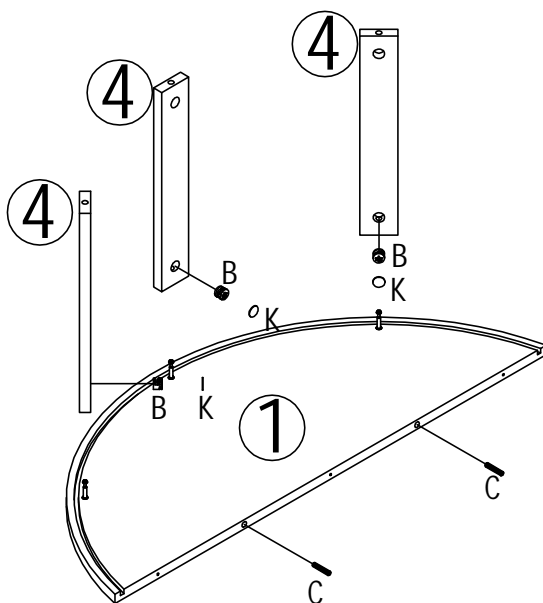
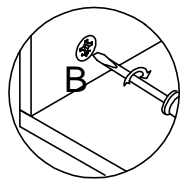
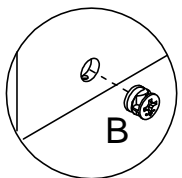
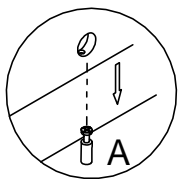
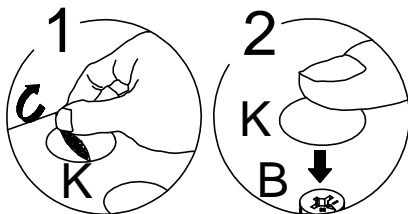
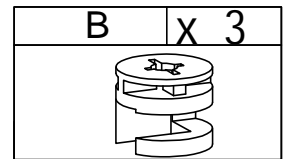
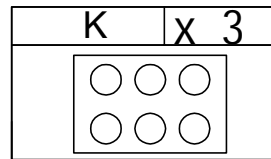
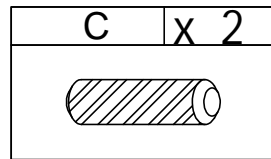
The Accessoriss



Step 1

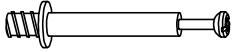


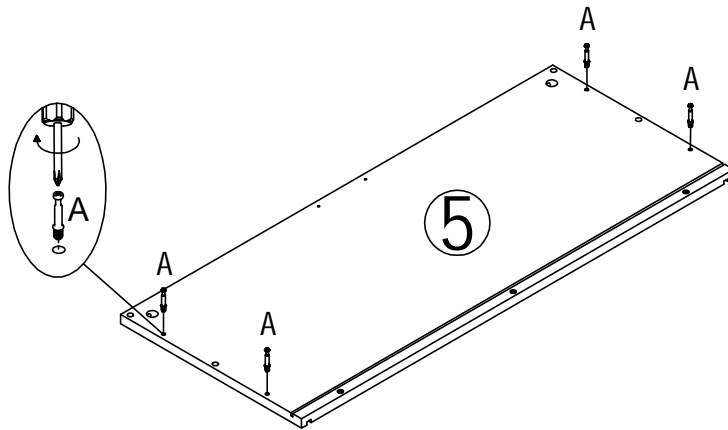
Step 2



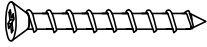
Please refer to the figure to install board 4

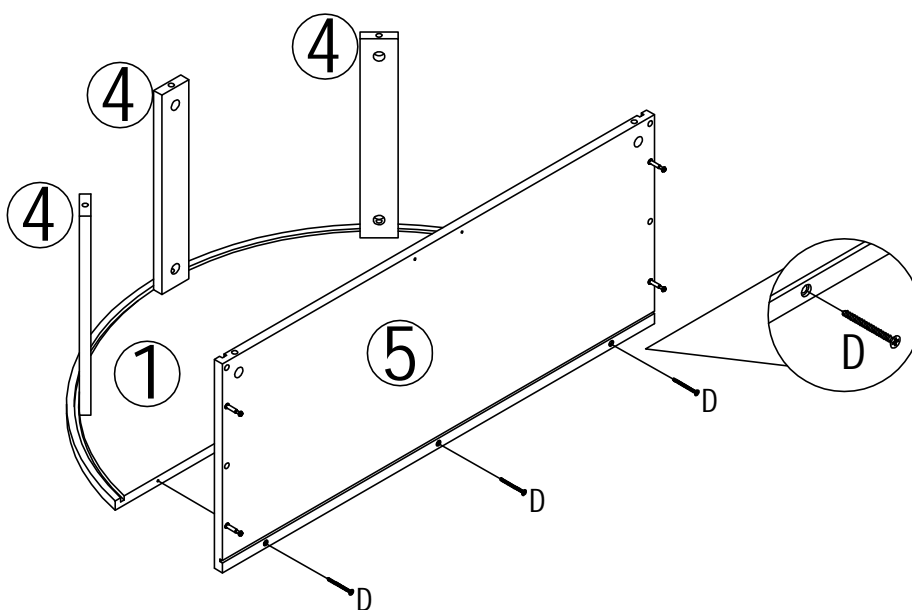
Step 3

A	X 4
	



Step 4

D	X 3
	

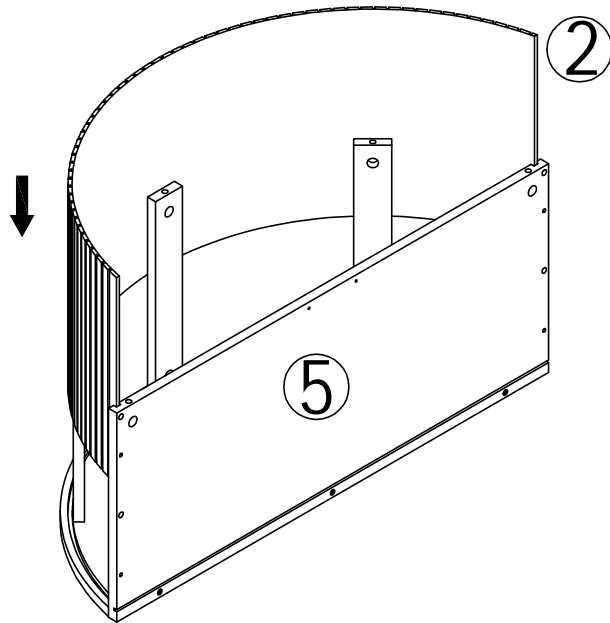


Step 5

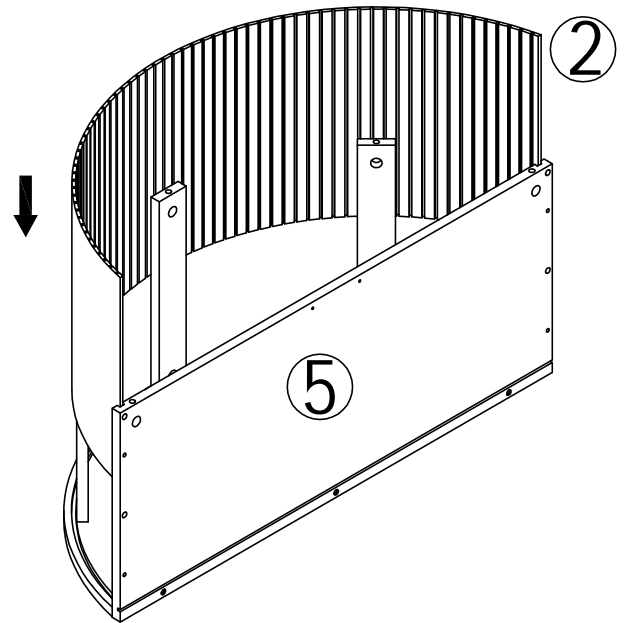
Step 5 You can select 1 or 2 installation modes

1.The linen faces in, the groove faces out

2.The linen faces out, the groove faces in

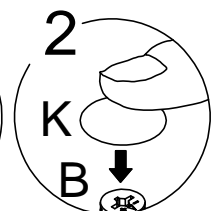
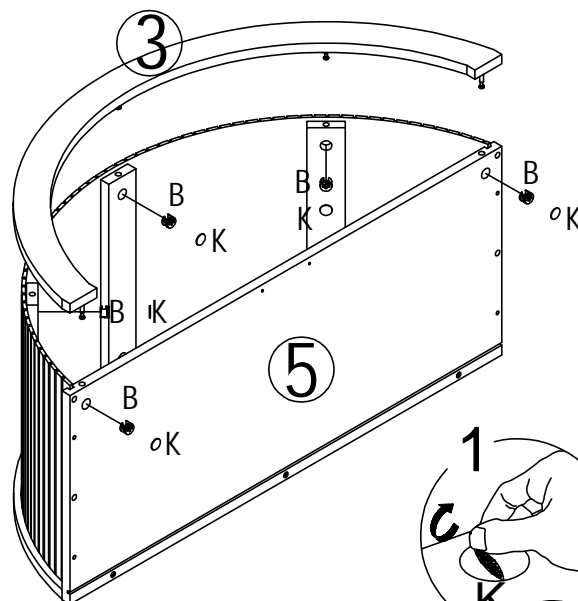
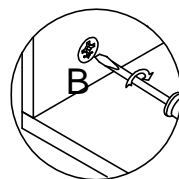
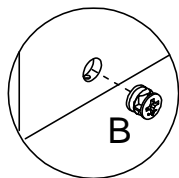
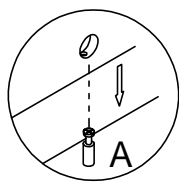
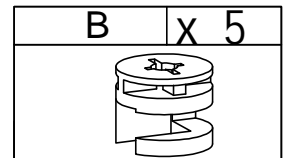
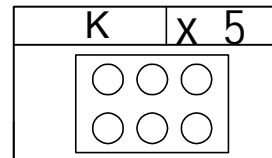


OR




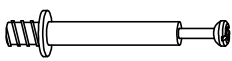
The subsequent installation method is the same. The figure shows only the way the linen faces in and the groove faces out

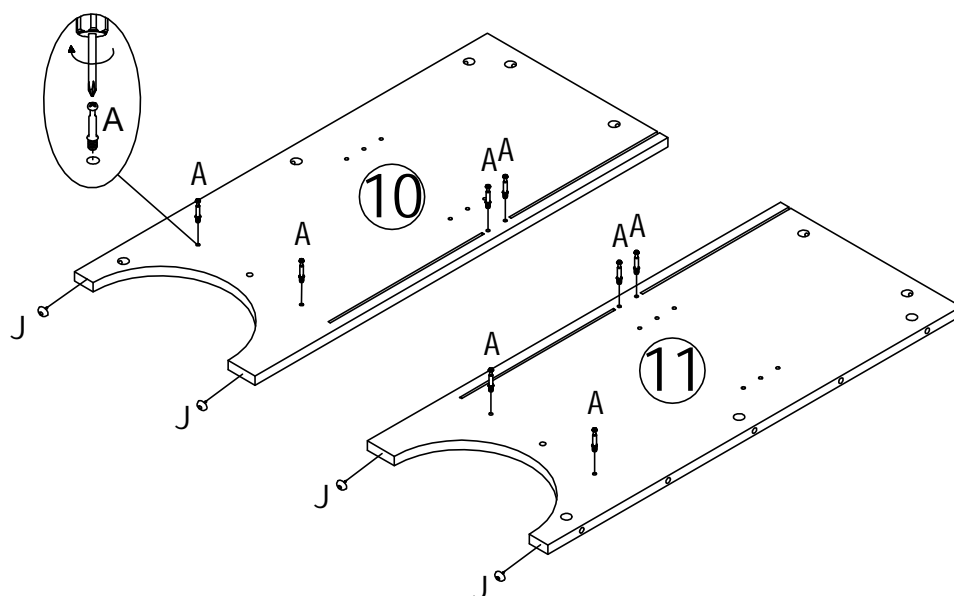
Step 6



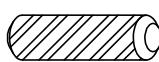
Step 7

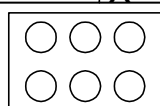
J	x 4
	


A	x 8
	

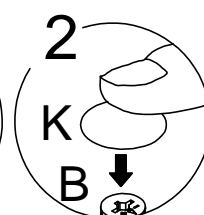
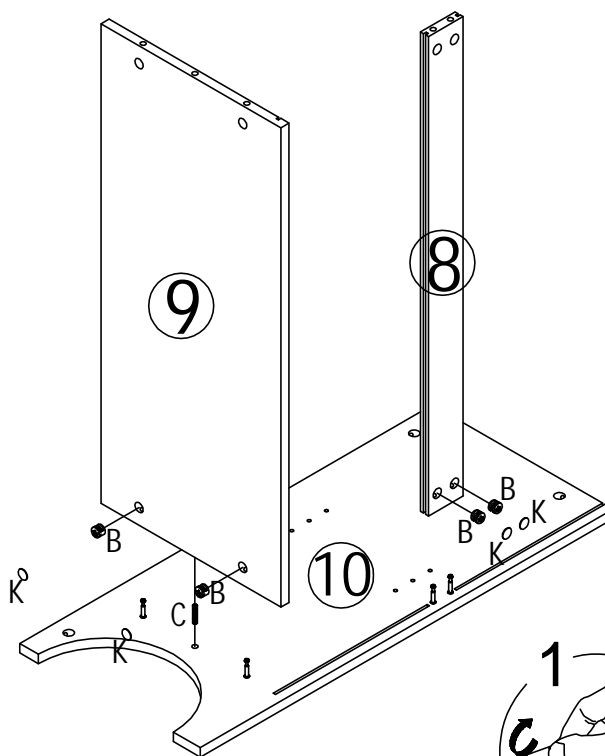
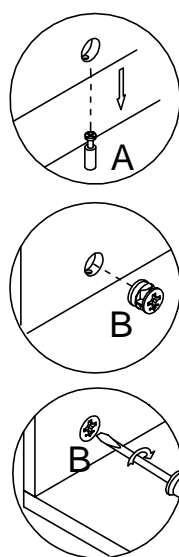


Step 8

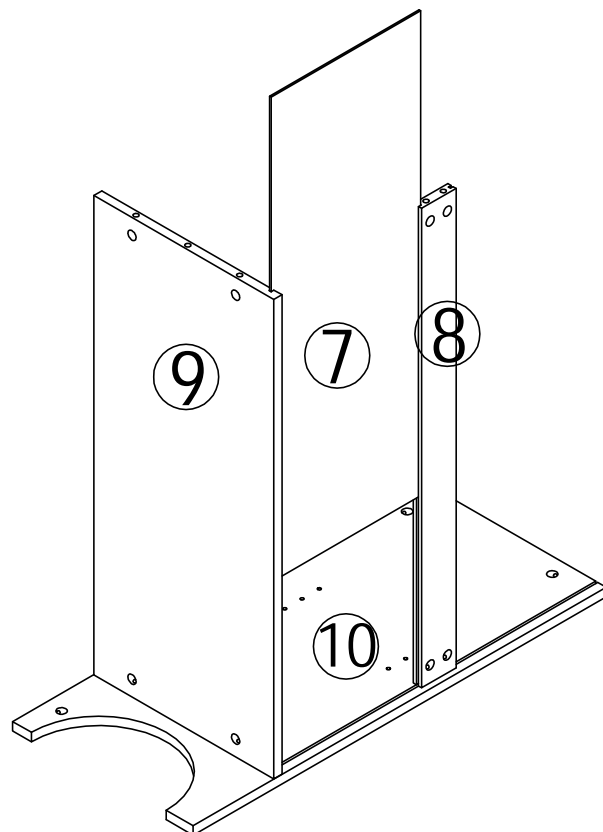
C	x 1
	

K	x 4
	

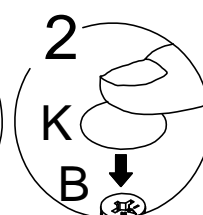
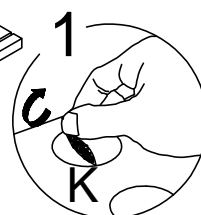
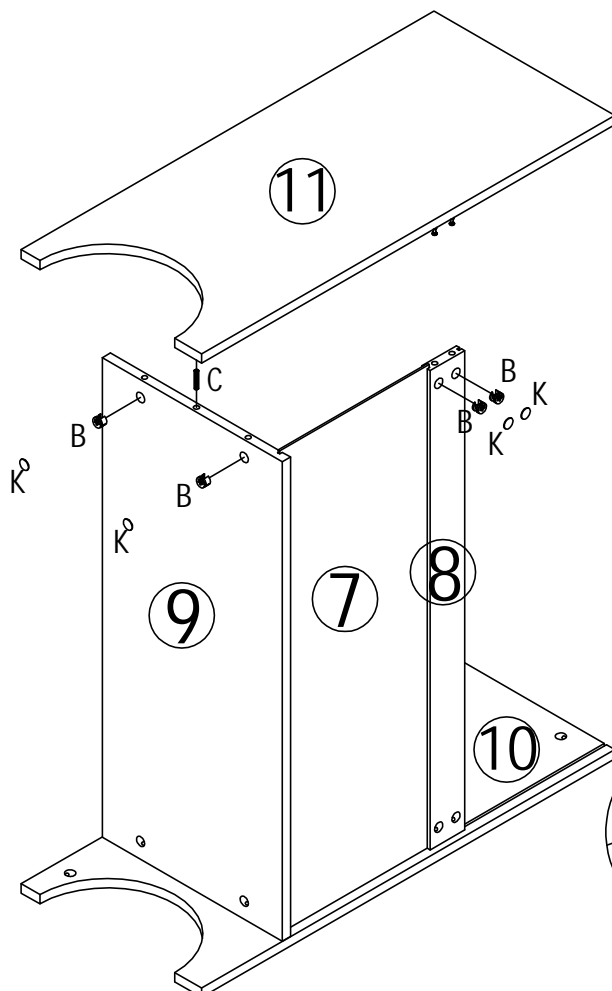
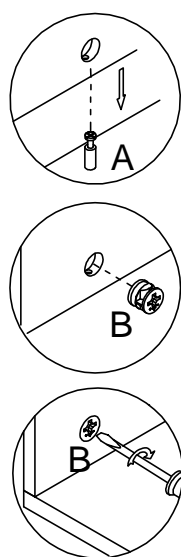
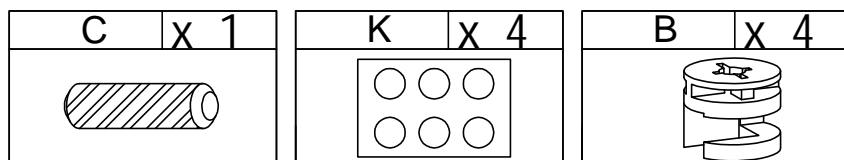
B	x 4
	



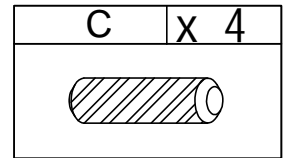
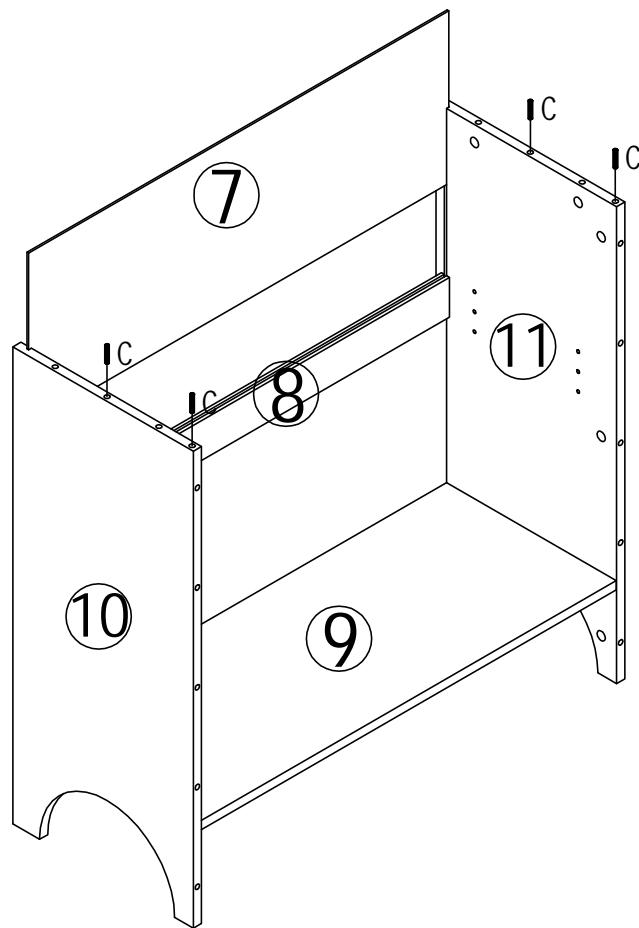
Step 9



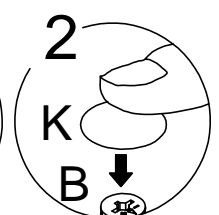
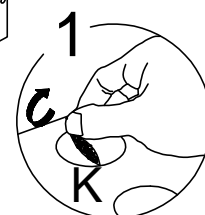
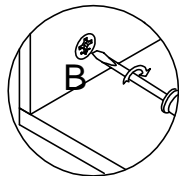
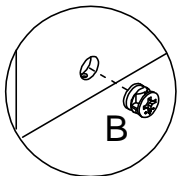
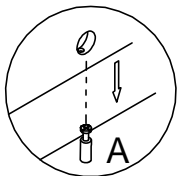
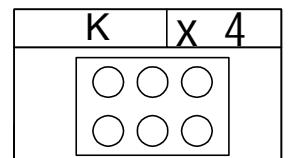
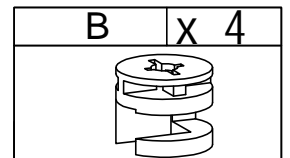
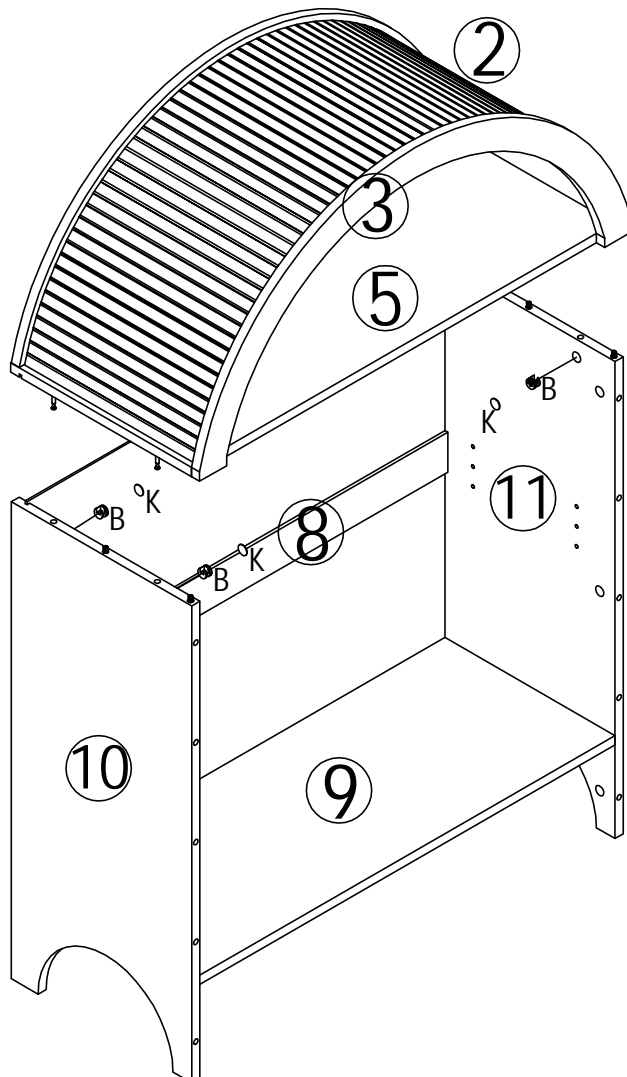
Step 10



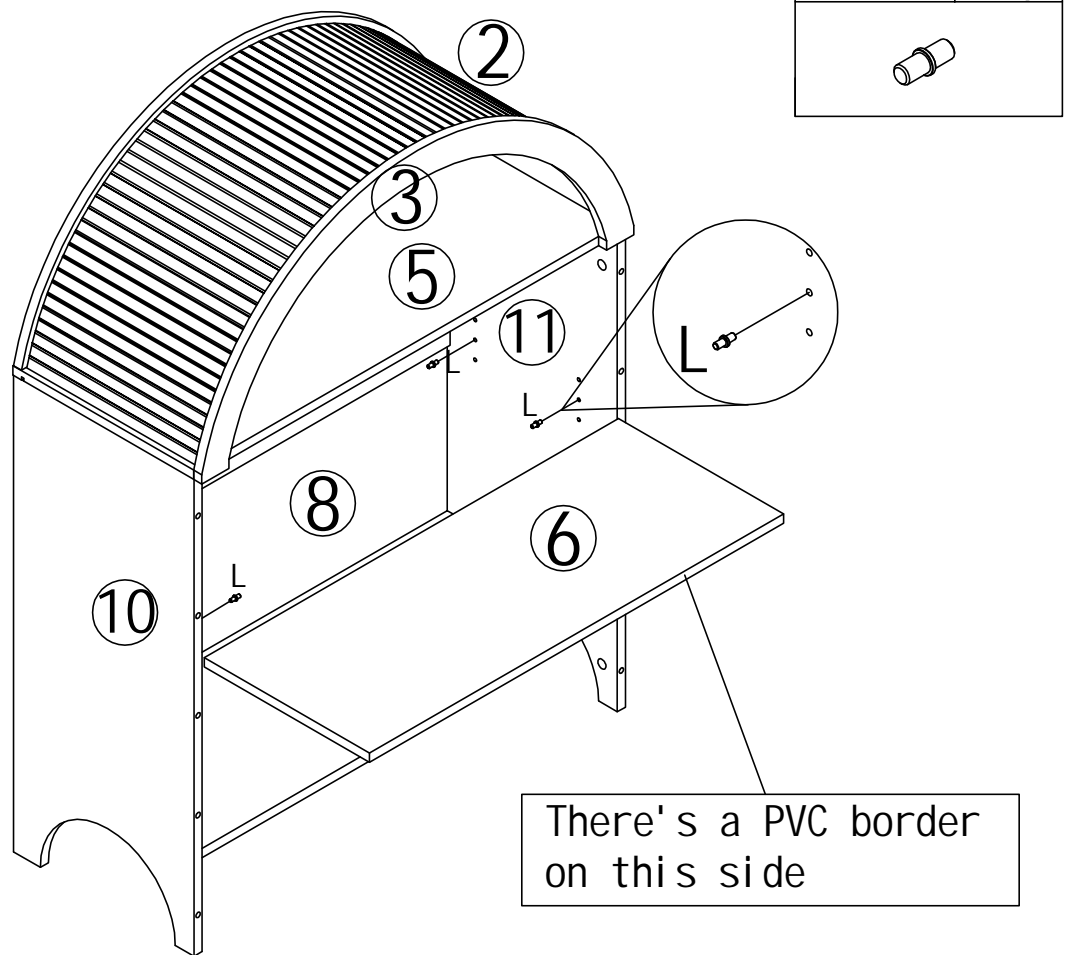
Step 11



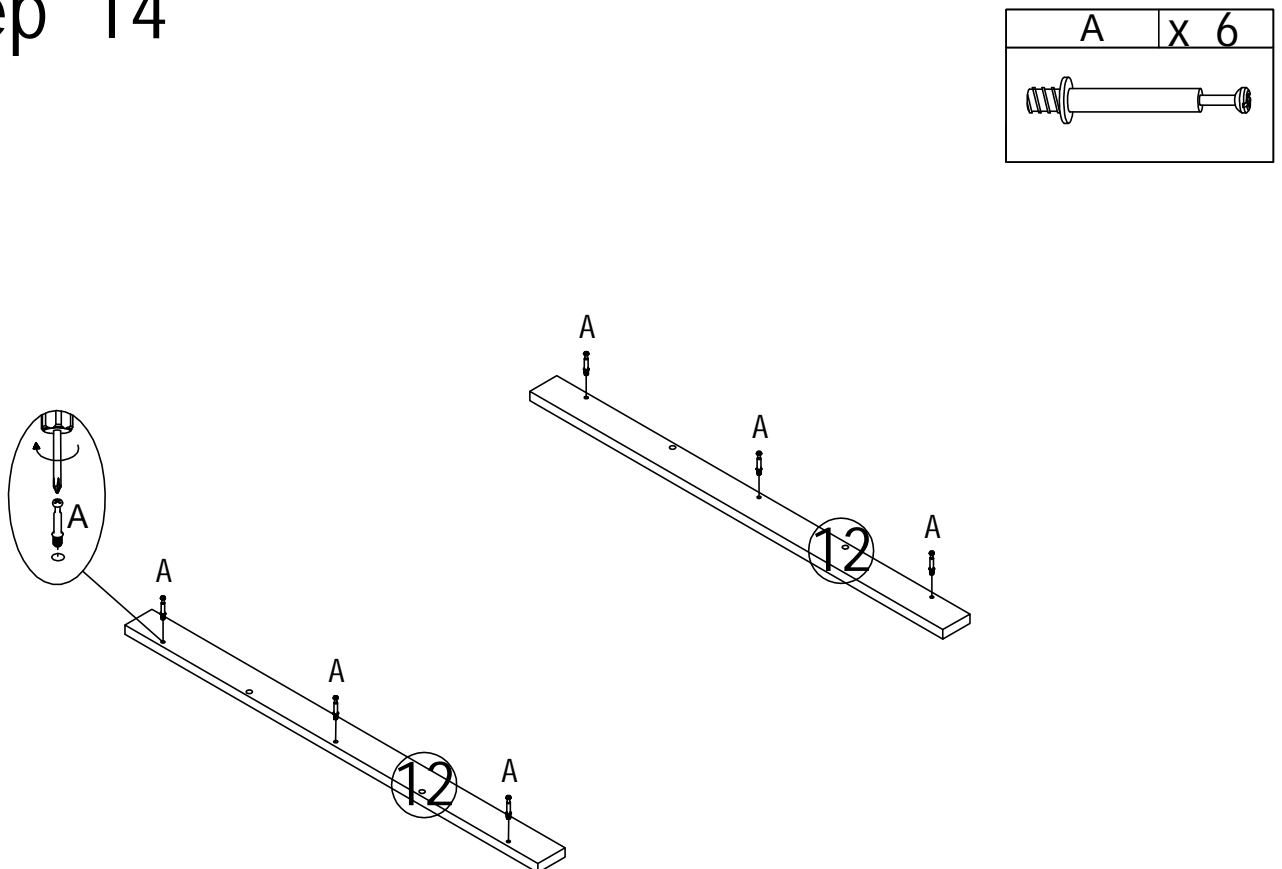
Step 12



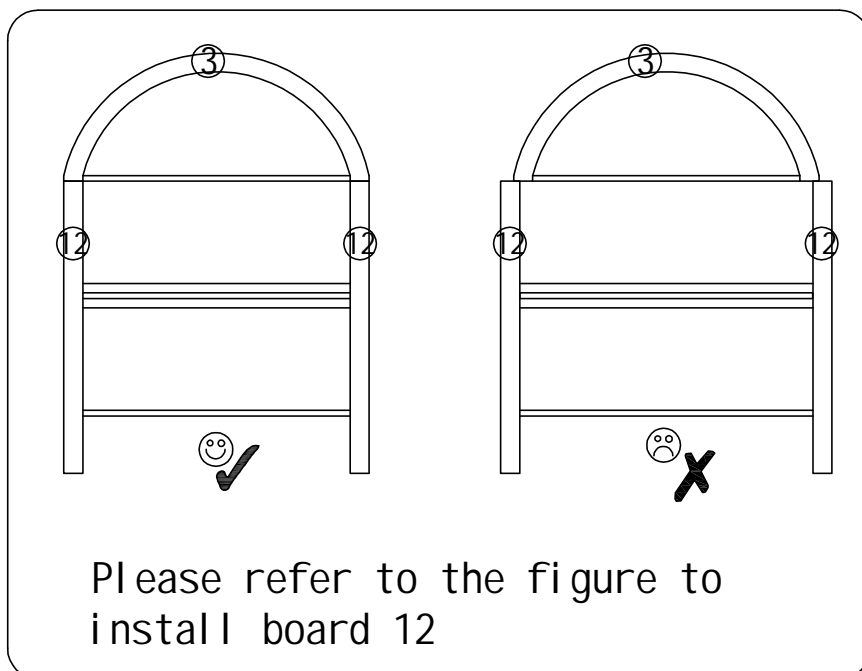
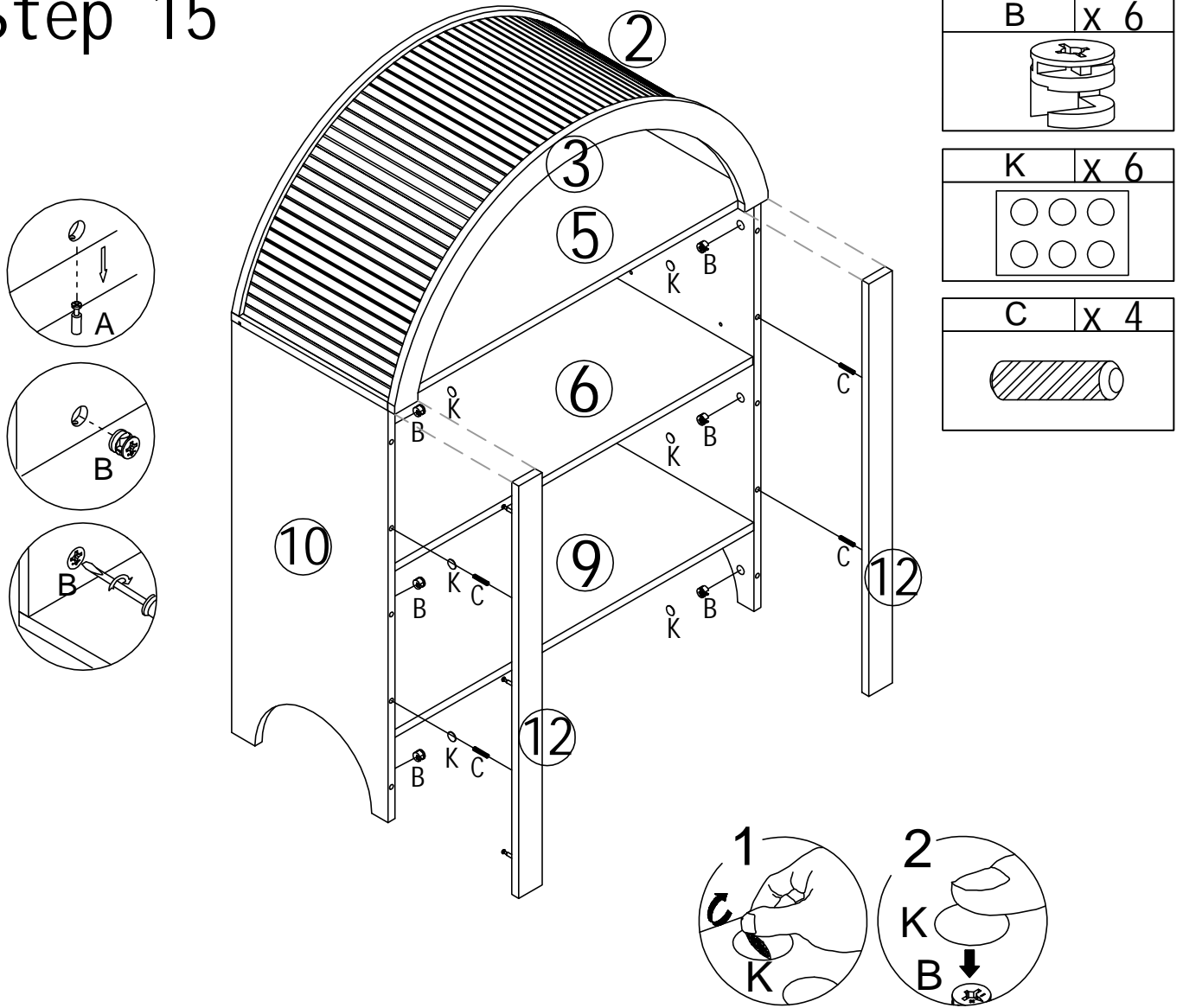
Step 13



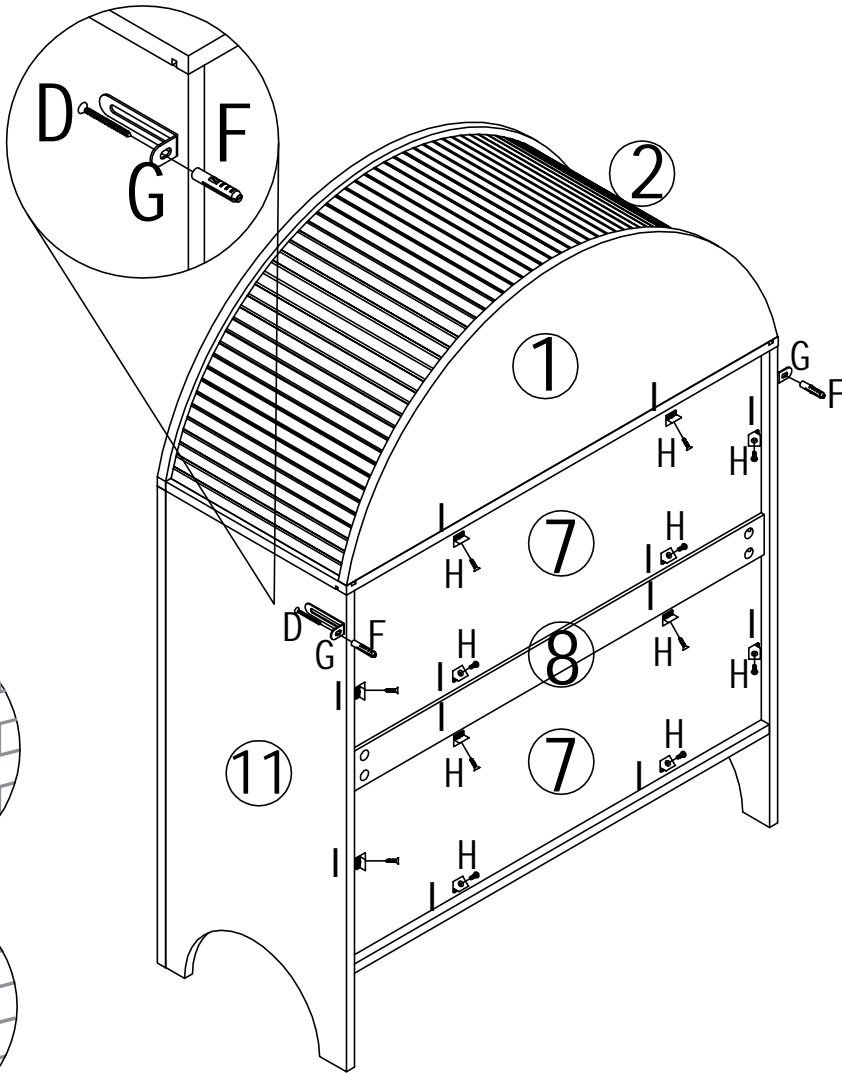
Step 14



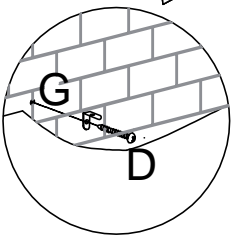
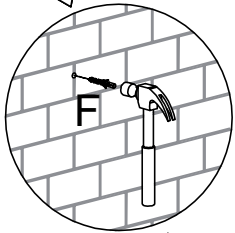
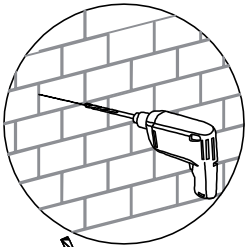
Step 15




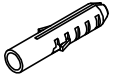
Step 16

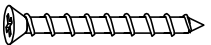


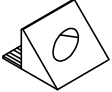
drill hole in wall




H	x 12
	

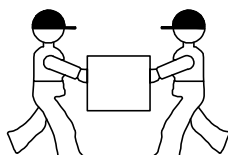
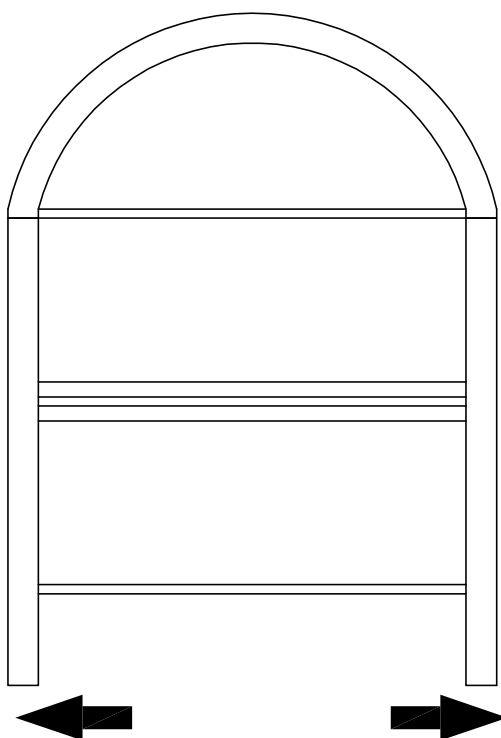
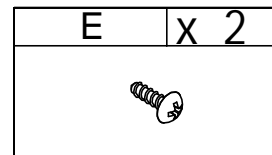
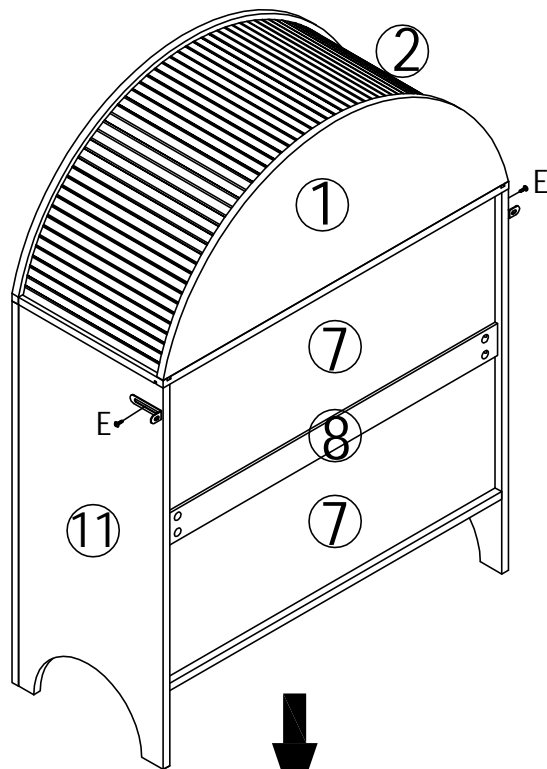
F	x 2
	

D	x 2
	

I	x 12
	

G	x 2
	

Step 17



Two people work together to move the cabinet.
Make sure you lift it off the ground.
Don't push and pull.