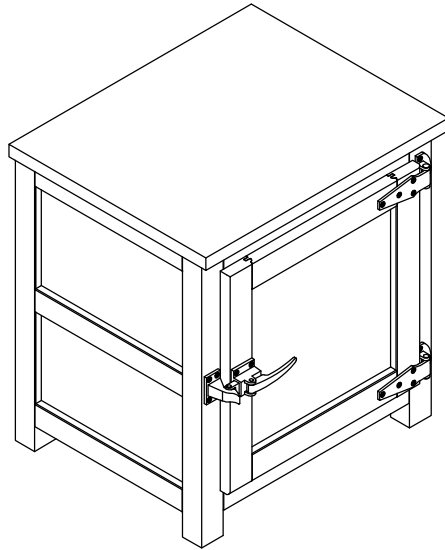
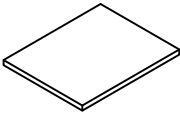
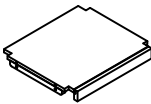

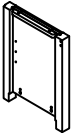
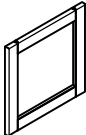
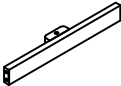
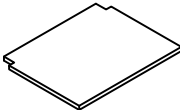
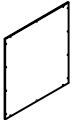


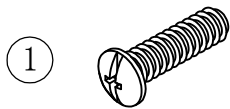
Plow & Hearth

59F83 WAL Portland Side Table Assembly Instruction



PARTS AND HARDWARE LIST

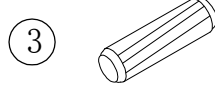
| | | | |
|---|---|--|---|
|  |  |  |  |
| A Top: 1PC | B Base: 1PC | C Left panel:1PC | D Right Panel 1PC |
|  |  |  |  |
| E Door: 1PC | F Front rail:1PC | G Shelf: 1PC | H Back panel:1PC |



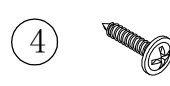
1 Bolt
QTY. 18



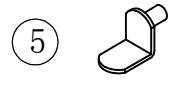
2 Washer
QTY. 18



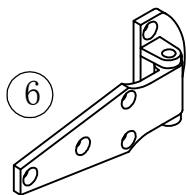
3 Dowel
QTY. 24



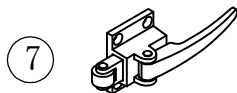
4 Screw
QTY. 14



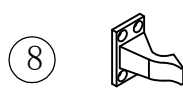
5 Shelf Pin
QTY. 4



6 Cabinet Door Hinge
QTY. 4



7 Male buckle
QTY. 1

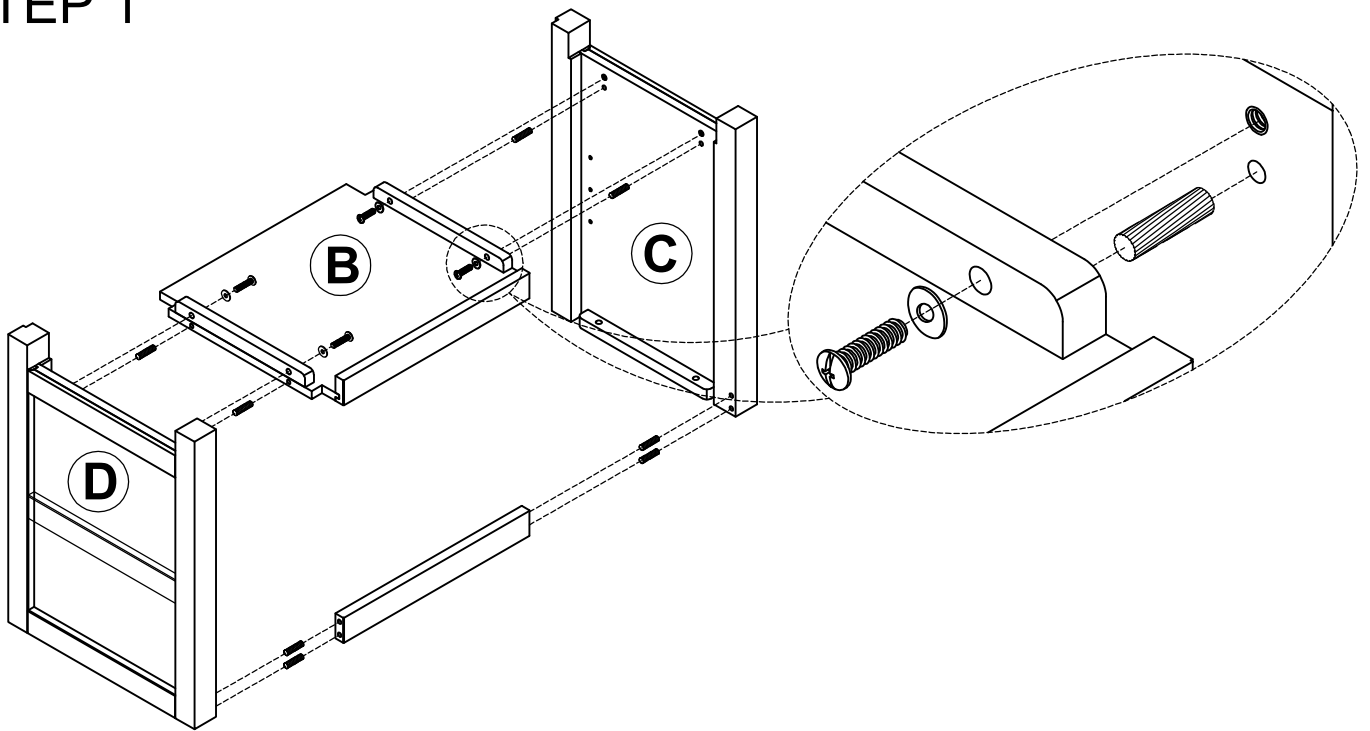





8 Parent lock
QTY. 1



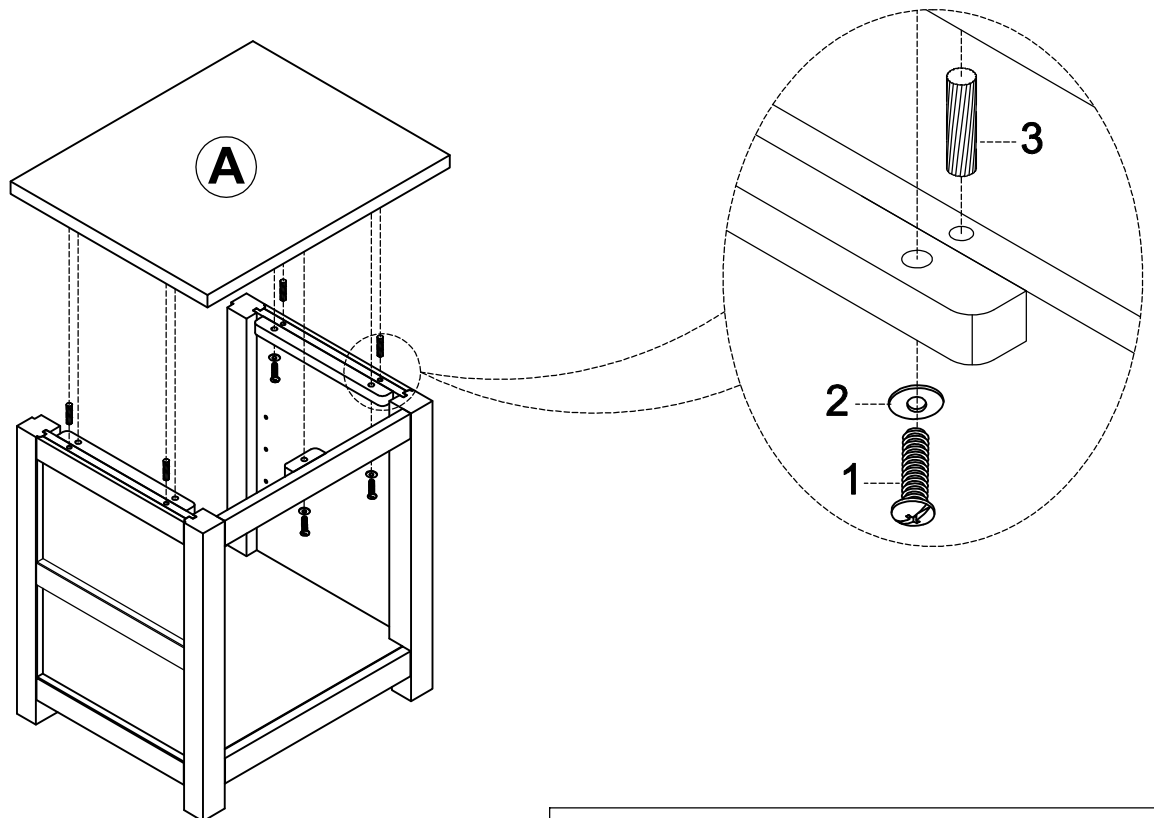
9 Hinge Screw
QTY. 36



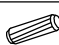
STEP 1



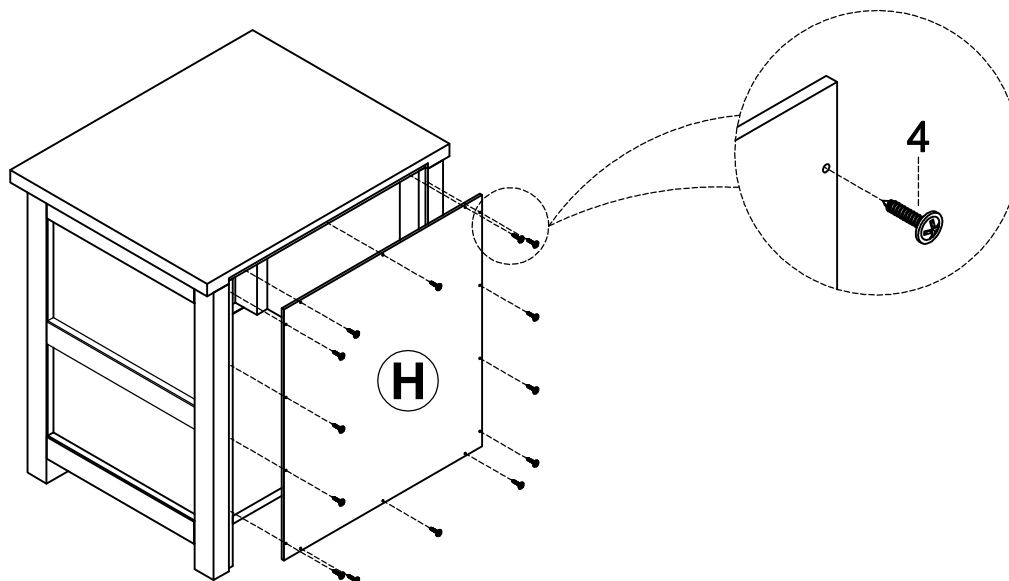
| HARDWARE BAG | | | | |
|--------------|---|-------------|-------------|------|
| 1 |  | ALLEN BOLT | 1/4**1-1/4" | 4PCS |
| 2 |  | FLAT WASHER | 1/4**19MM | 4PCS |
| 3 |  | WOOD PLUG | 8*30MM | 8PCS |

STEP 2



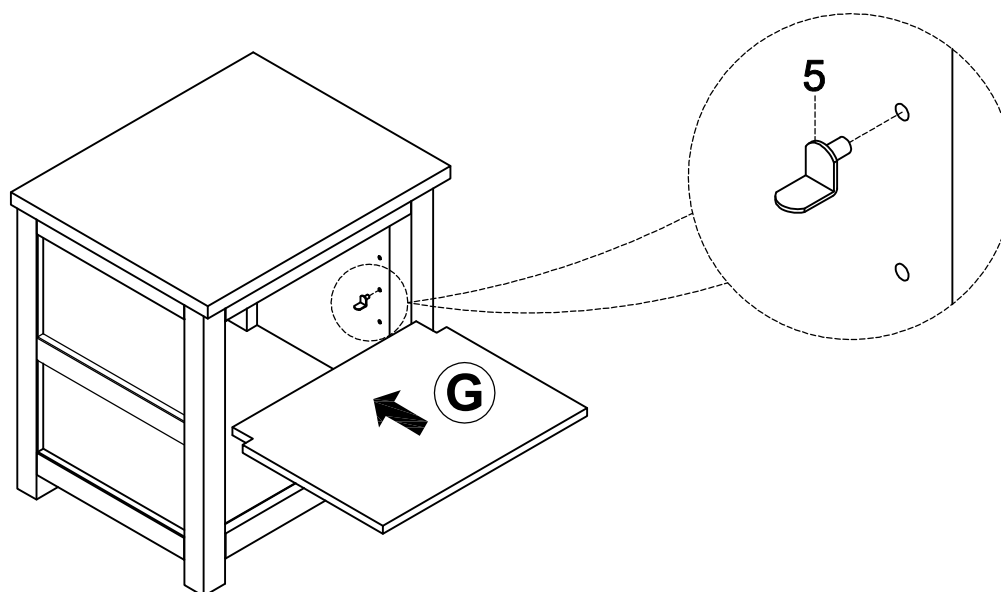
| HARDWARE BAG | | | | |
|--------------|--|-------------|-------------|------|
| 1 |  | ALLEN BOLT | 1/4**1-1/4" | 5PCS |
| 2 |  | FLAT WASHER | 1/4**19MM | 5PCS |
| 3 |  | WOOD PLUG | 8*30MM | 4PCS |

STEP 3



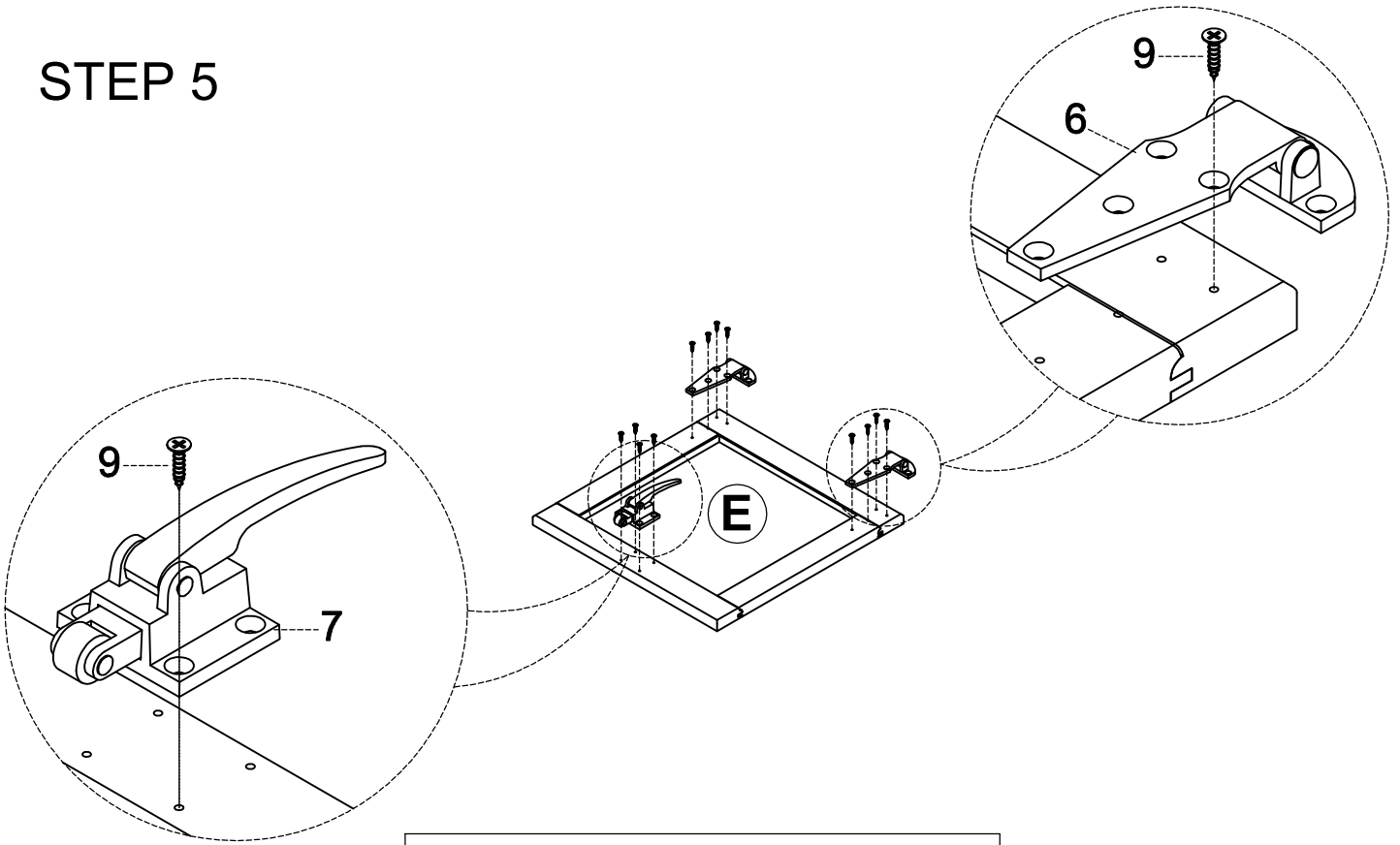
| HARDWARE BAG | | | | |
|--------------|---|-------|--------|-------|
| 4 |  | SCREW | 3*15MM | 14PCS |




STEP 4



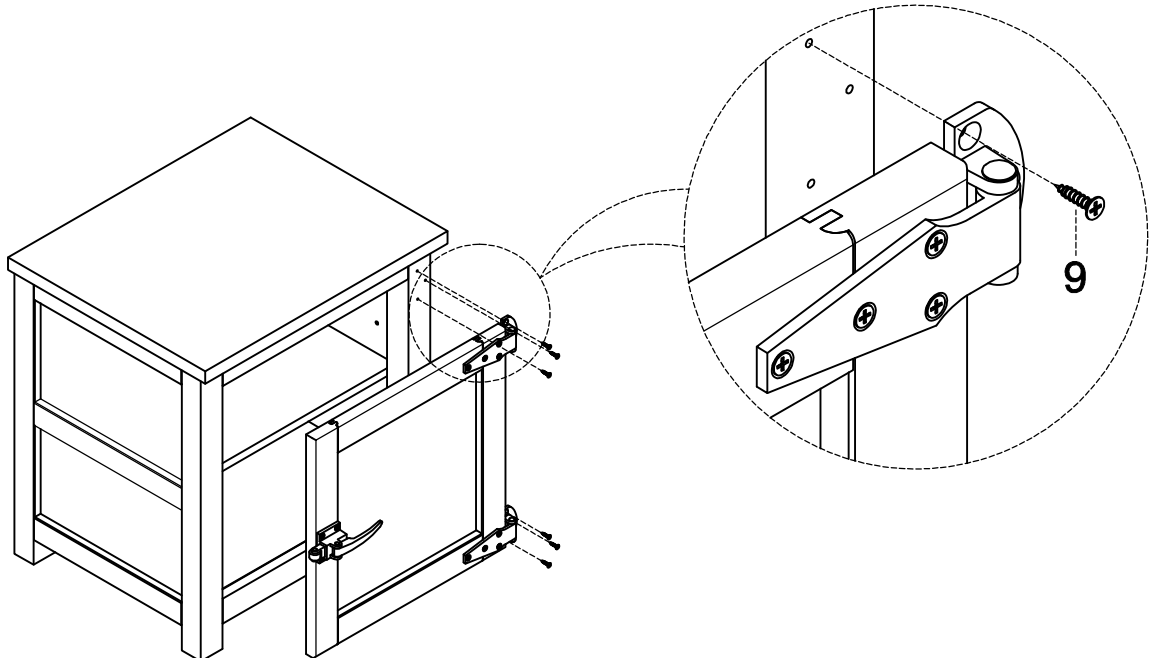
| HARDWARE BAG | | | | |
|--------------|---|-----------|--|------|
| 5 |  | SHELF PIN | | 4PCS |

STEP 5



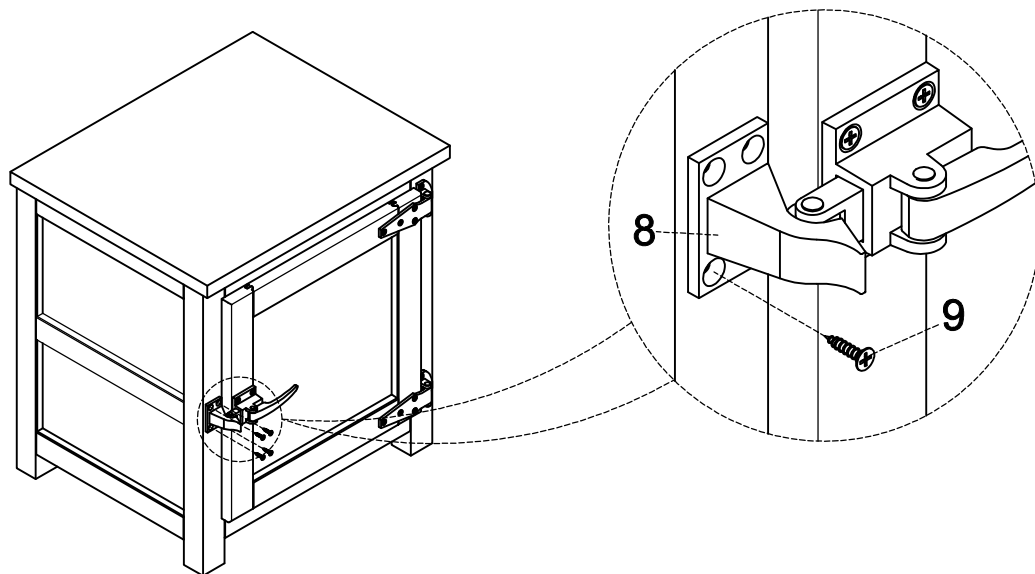
| HARDWARE BAG | | | | |
|--------------|---|--------------------|--------|-------|
| 6 |  | Cabinet Door Hinge | | 2PCS |
| 7 |  | Male buckle | | 1PC |
| 9 |  | Hinge Screw | 4*15MM | 12PCS |



STEP 6



| HARDWARE BAG | | | | |
|--------------|---|-------------|--------|------|
| 9 |  | Hinge Screw | 4*15MM | 6PCS |

STEP 7



| HARDWARE BAG | | | | |
|--------------|---|-------------|--------|------|
| 8 |  | Parent lock | | 1PCS |
| 9 |  | Hinge Screw | 4*15MM | 4PCS |

STEP 8

