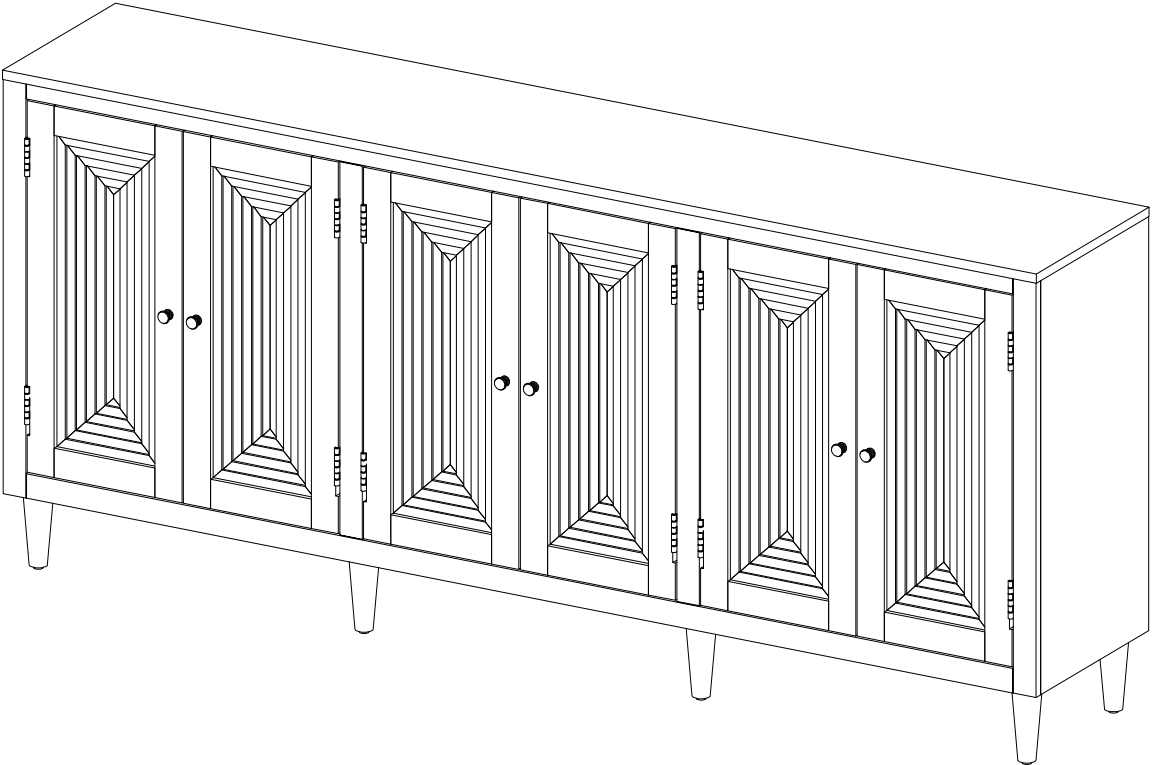
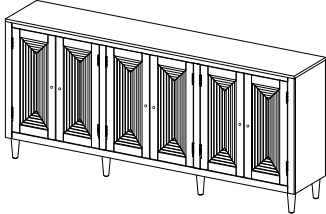
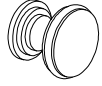
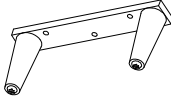








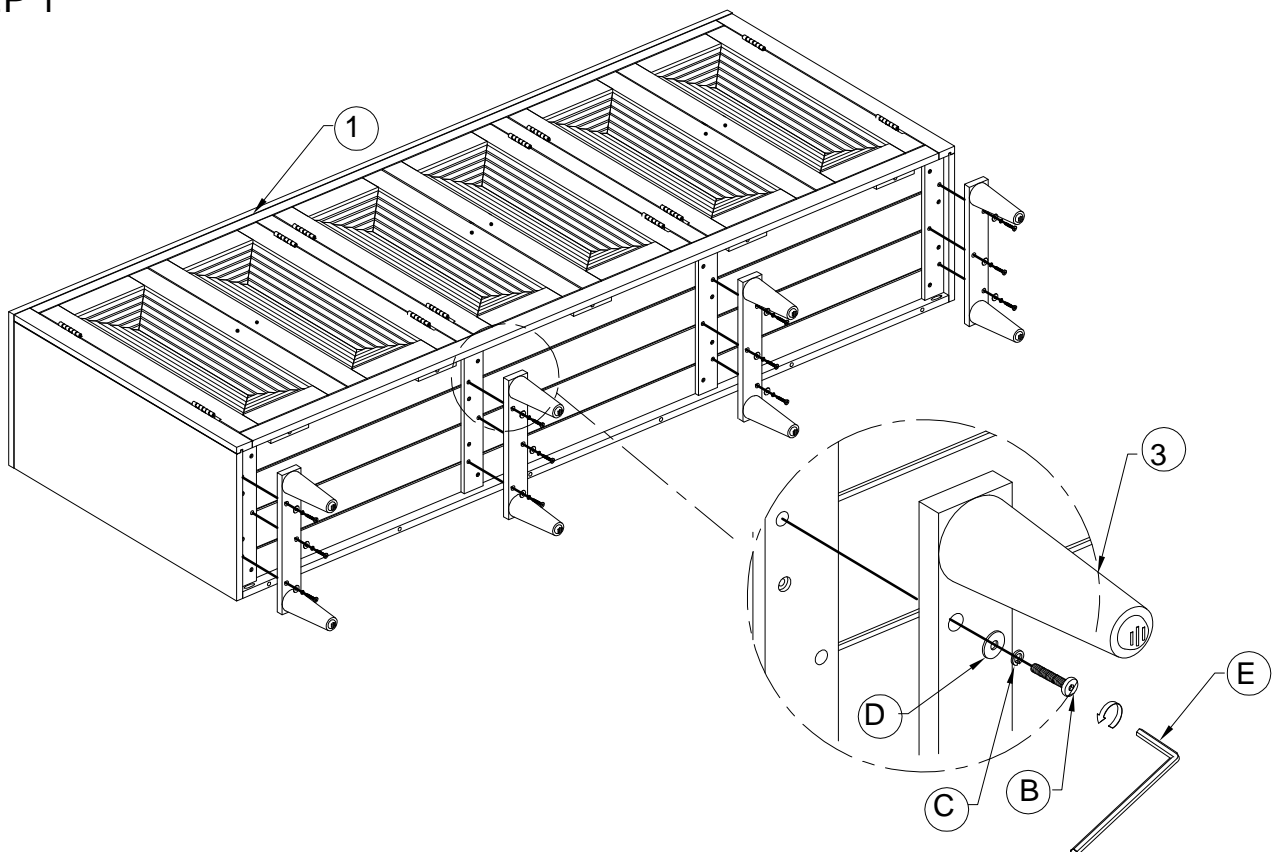
# ASSEMBLY INSTRUCTION

PRODUCT NAME : GREY 6 DOOR SIDEBORD



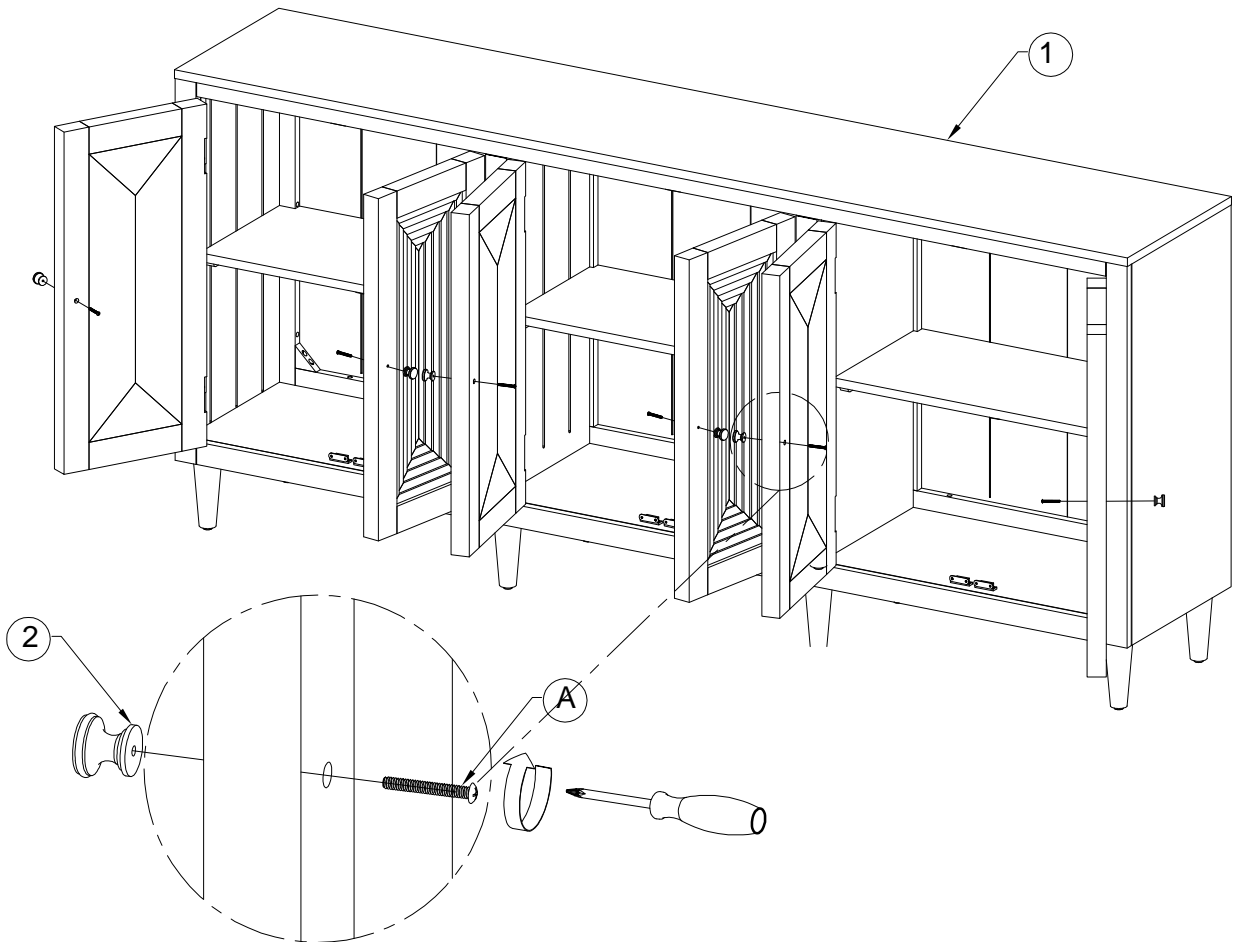
PARTS LIST:			QTY
1	Body		1pc
2	Handle		6pcs
3	leg		4pcs
HARDWARE:			QTY
A.	Umbrella Bolt $\text{Ø}5/32'' \times 1\ 1/2''$		6 pcs
B.	Bolt $\text{Ø}5/16'' \times 1\ 1/4''$		12 pcs
C.	Lock Washer $\text{Ø}5/16''$		12 pcs
D.	Flat Washer $\text{Ø}5/16''$		12 pcs
E.	$\text{Ø}5\text{mm}$ Allen Wrench		1pc
F.	Tipping - Restraint		1 set

## STEP 1



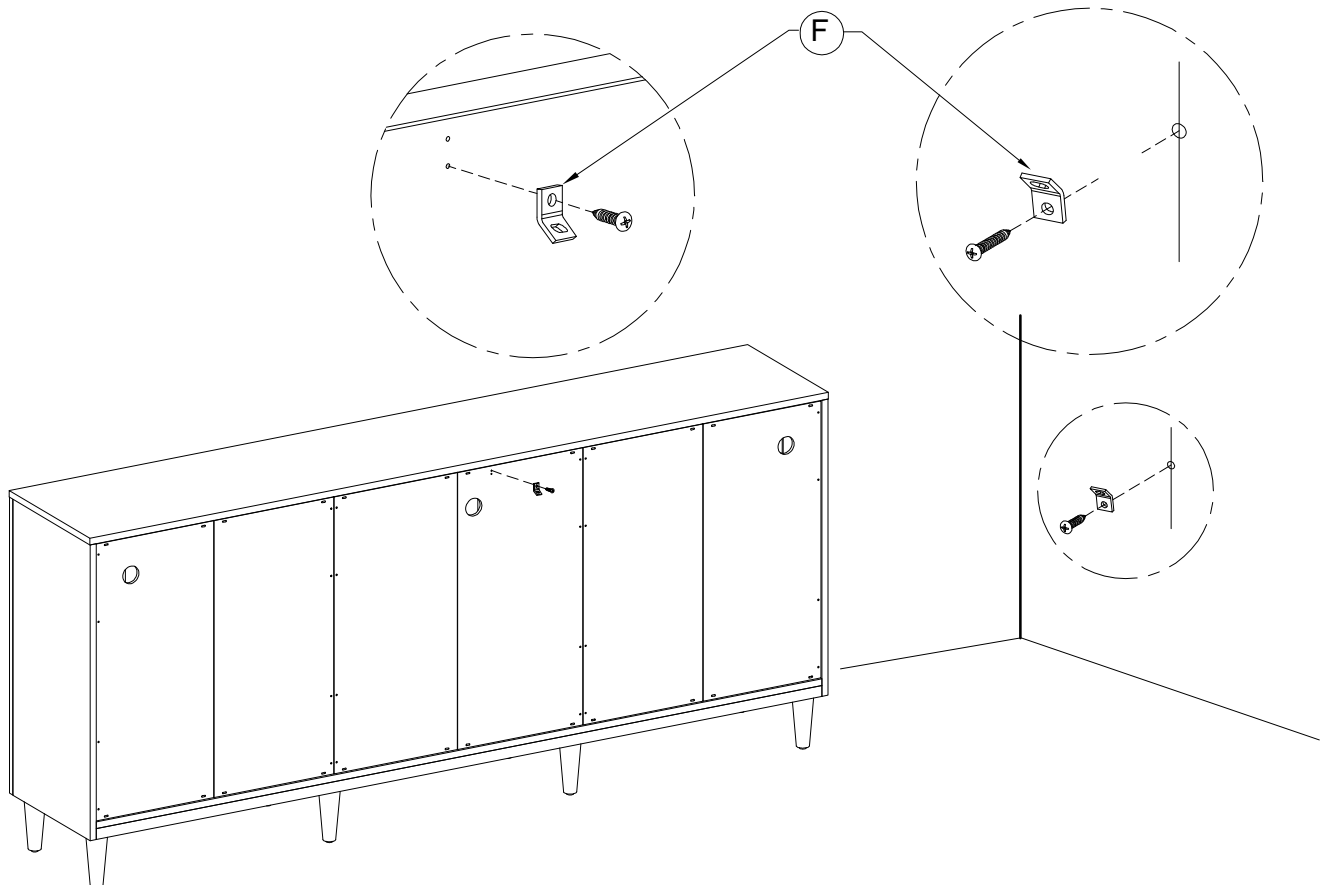
Lay the case down on the foam sheet, assemble legs (3) to the body (1) from bottom using bolt (B), flat washer (C), lock washer (D) allen wrench (E).

## STEP 2



Attach the supplied handle (2) to the door with bolt (A) using a screwdriver (not provided) as shown.

## STEP 2



# STEP 3

