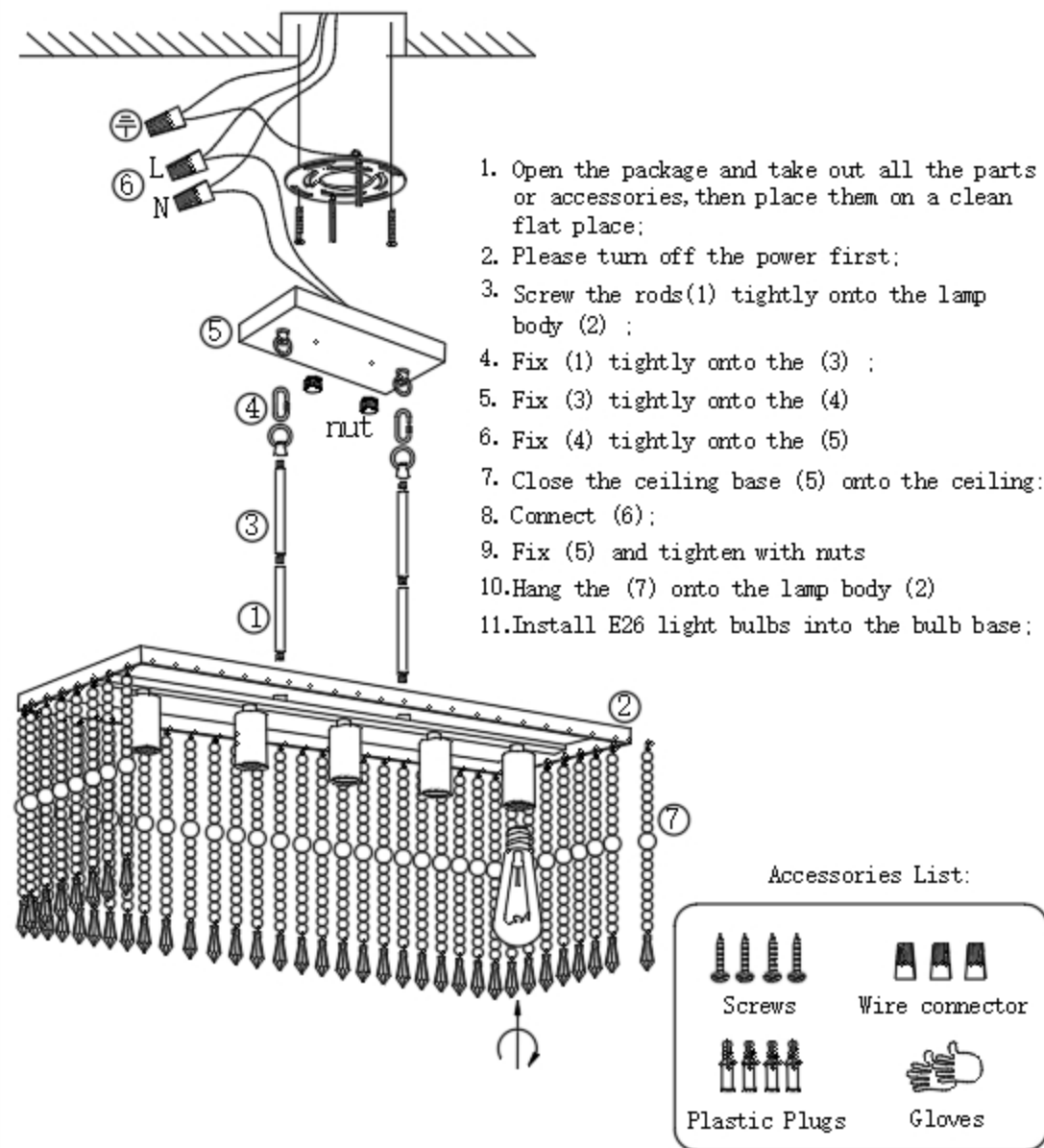


# Installation Instructions

## PART LIST AND ASSEMBLY ILLUSTRATION

Note: Some parts may be pre-installed or pre-assembled.

Note: Please read all instructions before assembly or install the product, if have any question, contact us in time.



## TOOLS REQUIRED



Safety goggles



Measuring tape



Phillips screwdriver



Flathead screwdriver



Electric drill



Wire strippers



Wire cutters



Ladder



Electrical tape



Pliers

**WARNING:** (To reduce the risk of fire, electric shock, or injury to persons):

- We suggest installation by a licensed electrician.
- Please read the instruction carefully and save it as you may need it at later time.
- Before you start, NEVER attempt any work without shutting off the electricity until the work is done. A). Go to the main fuse, or circuit breaker, box in your home. place the main power switch in the "OFF" position. B). Place the wall switch in the "OFF" position.
- Mounting surface should be clean, dry, flat, strong enough and 1/4" larger than the canopy on all side. Any gaps between the mounting surface and canopy exceeding 3/16" should be corrected as required.
- Make sure that the ceiling or wall can stand the weight of the lamp before fixture.
- Make sure the voltage you are using is 120V . The maximum wattage is 40W per bulb.
- Keep the lamp away from acidic and basic objects in case of damaging the surface of the lamp.
- When replacing bulb, you should turn off or unplug the lamp and you must wait until it is cool as bulbs get hot quickly.
- The safety instructions appearing in this manual are not meant to cover all possible conditions that may occur. It must be understood that common sense, caution and care must be used with any electrical products.
- Do not touch the bulb or lamp shade during the lighting fixture working.
- An individual grounding conductor of a chain-and-canopy suspended Luminaire shall be interwoven through the chain from the luminaire to the canopy.