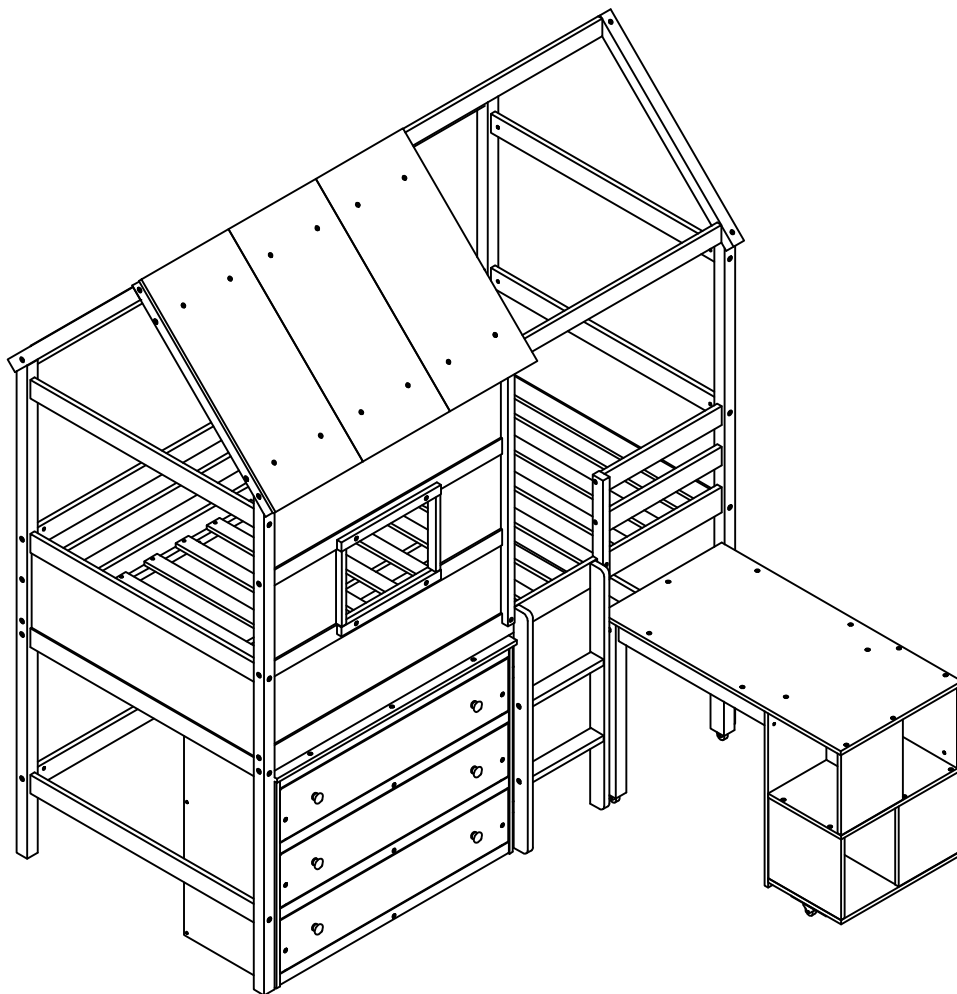


# ASSEMBLY INSTRUCTIONS

## TWIN HOUSE BED WITH DESK AND CHEST



**WF305559/WF305560/WF305561**

## SAFETY WARNINGS AND GENERAL NOTES:

Follow the information on the warnings on the loft bed end structure and on the carton. Do not remove the warning label from the bed. Always use the recommended size mattress on mattress support, or both, to help prevent the likelihood of entrapment or falls.

The top surface of the mattress must be at least 5\*inch (127mm) below the upper edge of the guardrail.

Do not allow children under 6 years of age to use the upper bunk.

Periodically check and ensure the guardrail, ladder and other components are in their proper position, free from damage, and all connectors are tight.

Do not allow horseplay on or under beds.

Always prohibit jumping on the bed.

Prohibit more than one person on upper bunk.

Always use the ladder for entering and leaving the upper bunk.

Do not use substitute parts. Contact the manufacturer or dealer for replacement parts.

Use of a night-light may provide added safety precaution for a child using the upper bunk.

Always use guardrails on both long sides of the upper bunk.

If the loft bed will be placed next to a wall, the guardrail that runs the full length of the bed should be placed against the wall to prevent entrapment between the bed and the wall.

The use of water or sleep flotation mattresses is prohibited.

**STRANGULATION HAZARD**-Never attach or hang items to any part of the loft bed that are not designed for use with the bed.

Keep these instructions for future reference.

We recommend assembling your loft bed on the shipping carton to protect your floor or carpet.

Be certain all staples are out of the box before beginning assembly on the shipping carton.

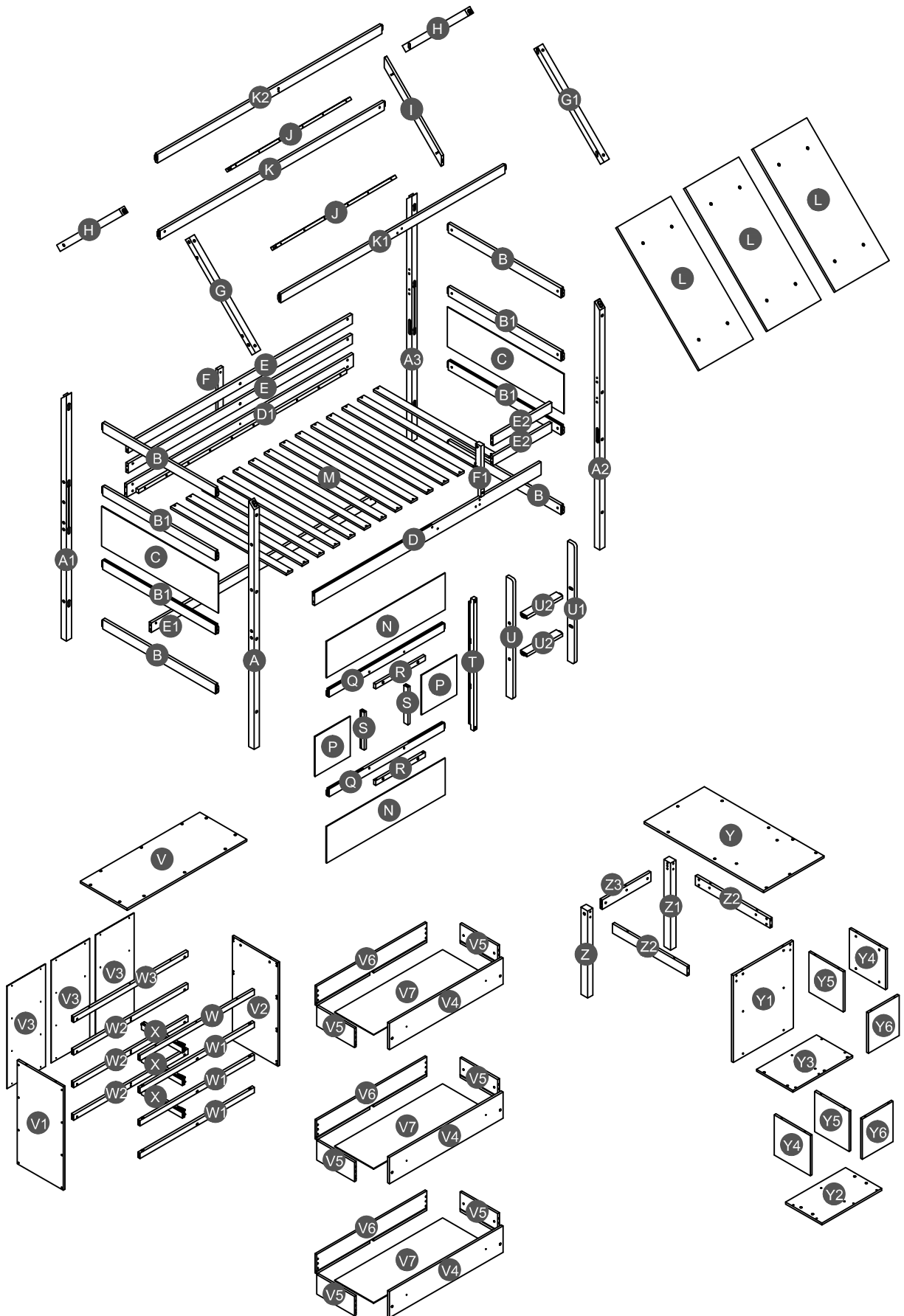
**USE ONLY MATTRESSES WHICH ARE 74"-75" LONG AND 38 1/2" WIDE ON UPPER BUNKS. ENSURE THICKNESS OF MATTRESS DOES NOT EXCEED 6".**

**SURFACE OF MATTRESS MUST BE AT LEAST 5" (127MM) BELOW THE UPPER EDGE OF GUARDRAILS.**

Replacement Parts:

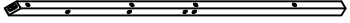

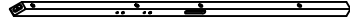

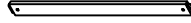
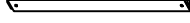


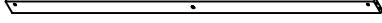


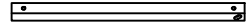
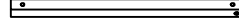
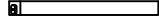
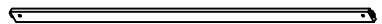
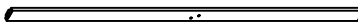




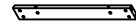
Replacement Parts, including additional guardrails, may be obtained from any of our (GIGACLOUD TECHNOLOGY (USA) INC. 18961 ARENTH AVENUE, CITY OF INDUSTRY , CA, 91748.) dealers

# Detail View



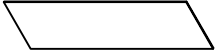
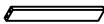
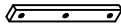
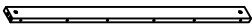




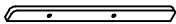
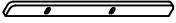


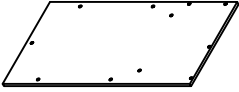
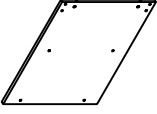

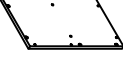


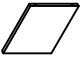
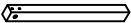
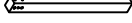

# Part List

WF305559

<p><b>A</b></p>  <p>Leg (Left Front) - 1pc</p>	<p><b>A1</b></p>  <p>Leg (Left Back) - 1pc</p>	<p><b>A2</b></p>  <p>Leg (Right Front) - 1pc</p>
<p><b>A3</b></p>  <p>Leg (Right Back) - 1pc</p>	<p><b>B</b></p>  <p>Horizontal bar FB/HB - 4pcs</p>	<p><b>B1</b></p>  <p>Horizontal bar FB/HB - 4pcs</p>
<p><b>D</b></p>  <p>Side rail (Front) - 1pc</p>	<p><b>D1</b></p>  <p>Side rail (Back) - 1pc</p>	<p><b>E</b></p>  <p>Long guard rail (back) - 2pcs</p>
<p><b>E1</b></p>  <p>Lower long guard rail (back) - 1pc</p>	<p><b>F1</b></p>  <p>Support guard rail (Left) - 1pc</p>	<p><b>G</b></p>  <p>Upper (Left Front) - 1pc</p>
<p><b>G1</b></p>  <p>Upper (Right Front) - 1pc</p>	<p><b>H</b></p>  <p>Upper (Back) - 2pcs</p>	<p><b>K</b></p>  <p>Upper horizontal (back) - 1pc</p>
<p><b>K1</b></p>  <p>Upper horizontal (front) - 1pc</p>	<p><b>K2</b></p>  <p>Upper horizontal (divider) - 1pc</p>	<p><b>M</b></p>  <p>Slat - 14pcs</p>
<p><b>R</b></p>  <p>Horizontal bar (front) - 2pcs</p>	<p><b>T</b></p>  <p>Vertical bar (front) - 1pc</p>	<p><b>Z2</b></p>  <p>Apron - 2pcs</p>

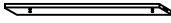


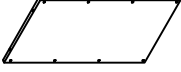

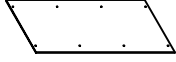
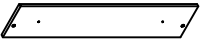


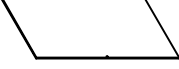
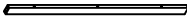


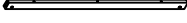
# Part List

## WF3035560 - Hardware inside

<b>C</b>  Side panel HB/FB - 2pcs	<b>E2</b>  Short guard rail (front) - 2pcs	<b>F</b>  Vertical guard rail (back) - 1pc
<b>J</b>  Upper support - 2pcs	<b>L</b>  Panel on roof top - 3pcs	<b>P</b>  Front panel - 2pcs
<b>Q</b>  Horizontal bar (front) - 2pcs	<b>S</b>  Vertical bar (front) - 2pcs	<b>U</b>  Ladder (left) - 1pc
<b>U1</b>  Ladder (right) - 1pc	<b>U2</b>  Step ladder - 2pcs	<b>X</b>  Support drawer - 3pcs
<b>Y</b>  Top panel - 1pc	<b>Y1</b>  Side panel (left) - 1pc	<b>Y2</b>  Bottom panel - 1pc
<b>Y3</b>  Shelf panel - 1pc	<b>Y4</b>  Panel (left/right) - 2pcs	<b>Y5</b>  Divider panel - 2pcs
<b>Y6</b>  Side panel (right) - 2pcs	<b>Z</b>  Leg (Front) - 1pc	<b>Z1</b>  Leg (Back) - 1pc
<b>Z3</b>  Apron - 1pc		

# Part List

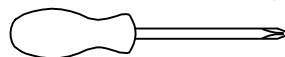
**WF305561**

<p><b>I</b></p>  <p>Upper support -1pc</p>	<p><b>N</b></p>  <p>Front panel - 2pcs</p>	<p><b>V</b></p>  <p>Top panel -1pc</p>
<p><b>V1</b></p>  <p>Side panel (left) - 1pc</p>	<p><b>V2</b></p>  <p>Side panel (right) - 1pc</p>	<p><b>V3</b></p>  <p>Back panel - 3pcs</p>
<p><b>V4</b></p>  <p>Drawer front - 3pcs</p>	<p><b>V5</b></p>  <p>Drawer (left/right) - 6pcs</p>	<p><b>V6</b></p>  <p>Drawer back - 3pcs</p>
<p><b>V7</b></p>  <p>Drawer bottom - 3pcs</p>	<p><b>W</b></p>  <p>Upper horizontal bar (Front) - 1pc</p>	<p><b>W1</b></p>  <p>Lower horizontal bar (Front) - 3pcs</p>
<p><b>W2</b></p>  <p>Lower horizontal bar (Back) - 3pcs</p>	<p><b>W3</b></p>  <p>Upper horizontal bar (Back) - 1pc</p>	

## Hardware List WF305560

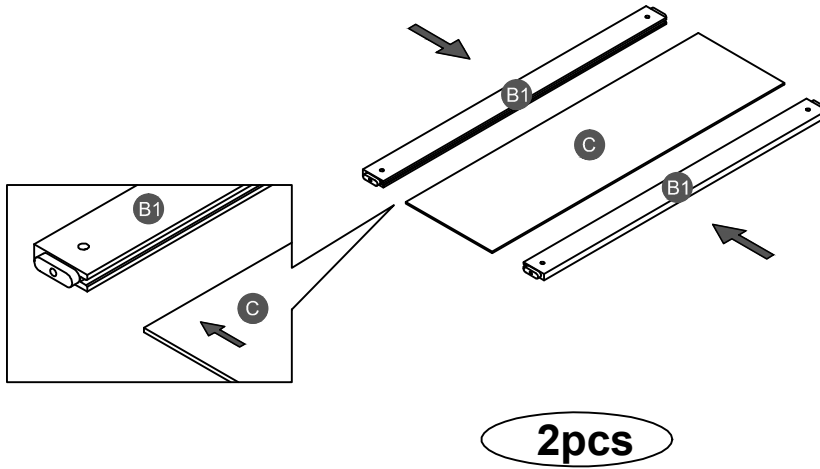
<b>1</b>	 Ø10*40mm Wood dowel (10pcs)	<b>2</b>	 Ø8*30mm Wood dowel (66pcs)	<b>3</b>	 (Ø15)1/4"*100mm Hex-Head bolts (26pcs)
<b>4</b>	 (Ø15)1/4"*80mm Hex-Head bolts (24pcs)	<b>5</b>	 (Ø12)1/4"*70mm Hex-Head bolts (2pcs)	<b>6</b>	 (Ø12)1/4"*60mm Hex-Head bolts (75pcs)
<b>7</b>	 (Ø12)1/4"*40mm Hex-Head bolts (4pcs)	<b>8</b>	 (Ø12)1/4"*35mm Hex-Head bolts (2pcs)	<b>9</b>	 (Ø12)1/4"*30mm Hex-Head bolts (11pcs)
<b>10</b>	 1/4"*15 (9.5mm) Horizontal-Hole bolts(127pcs)	<b>11</b>	 (Ø12)1/4"*65mm Hex-Head bolts (6pcs)	<b>12</b>	 (Ø12)1/4"*40mm Hex-Head bolts (20pcs)
<b>13</b>	 (1/4")4.5*58mm Allen key (1pc)	<b>14</b>	 Ø4*30mm Wood screws (28pcs)	<b>15</b>	 Ø3.5*19mm Wood screws (4pcs)
<b>16</b>	 Ø3.5*15mm Wood screws (25pcs)	<b>17</b>	 Ø3.5*15mm Wood screws (24pcs)	<b>18</b>	 340*30mm Upper slider drawer (3pcs)
<b>19</b>	 Ø38*31mm Pine Knob (6pcs)	<b>20</b>	 3/16"*25mm Ph zinc(Knob) (6pcs)	<b>21</b>	 45*20*35 mm Castor (2pcs)
<b>22</b>	 150*54*20 mm Castor (2pcs)	<b>23</b>	 40*18*18*1.6mm Metal bracket (4pcs)		

**ASSEMBLY TOOLS REQUIRED ( NOT INCLUDED )**



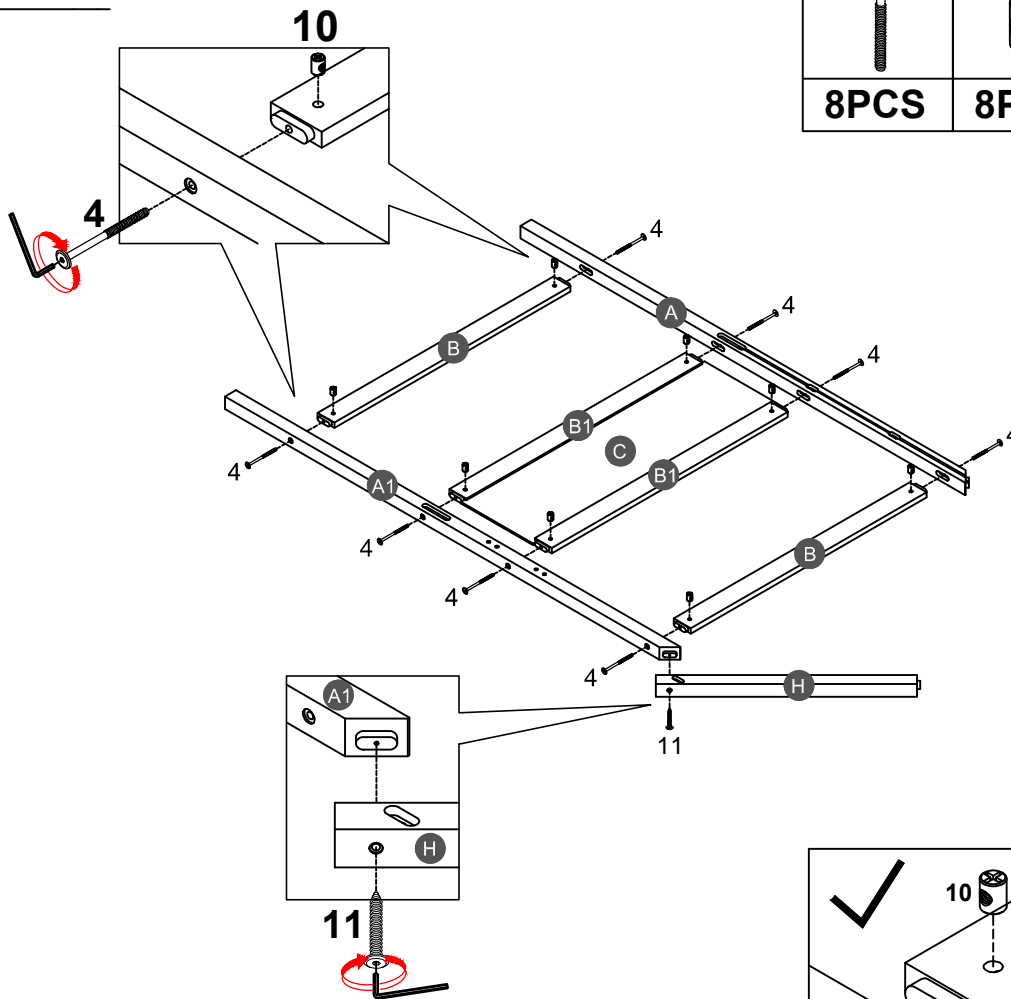
PLEASE BE CAREFUL DO NOT DAMAGE THE HOLE POSITION WHEN YOU USE POWER TOOLS !

**STEP 1:**



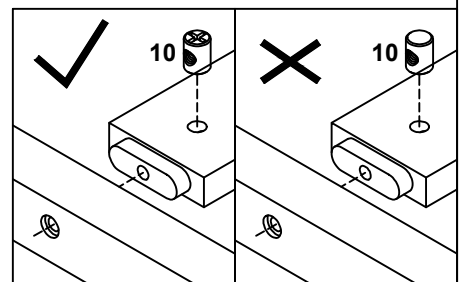
2pcs

**STEP 2:**

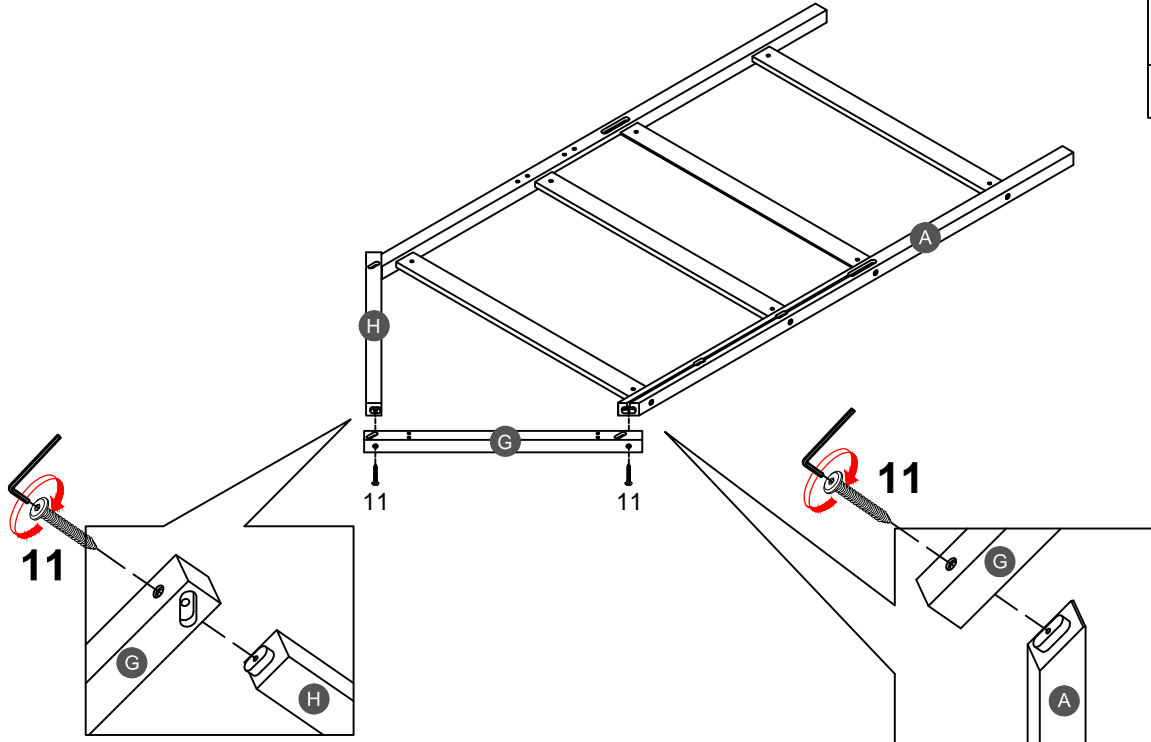


4	10	11
8PCS	8PCS	1PC

Note: Part 10 will face up with the "x" mark on it, otherwise it cannot be tightened

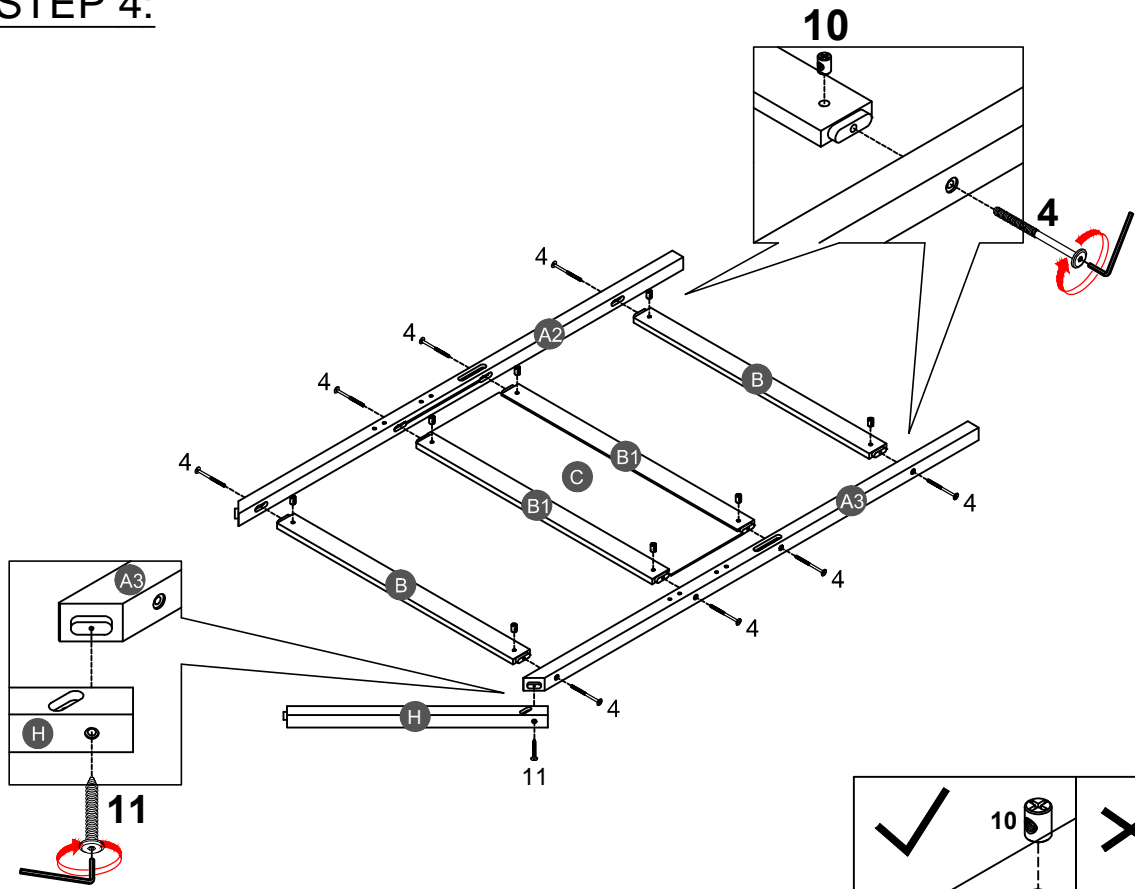


**STEP 3:**

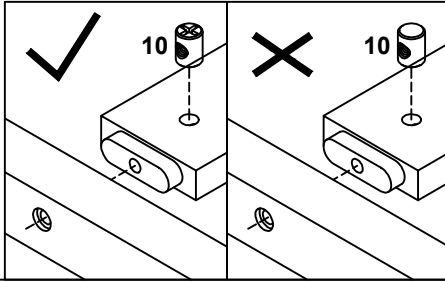
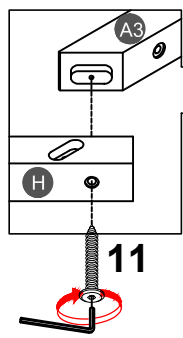


- 11**
- 2PCS**

**STEP 4:**

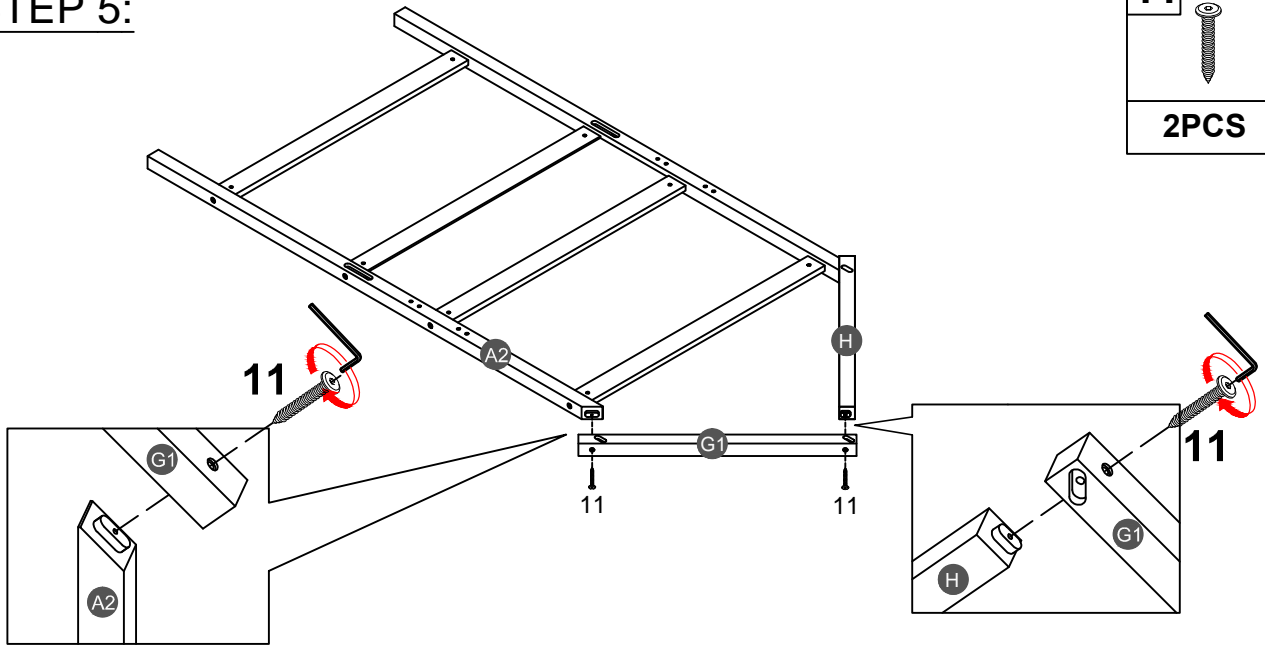


- 4**
- 8PCS**
- 10**
- 8PCS**
- 11**
- 1PC**



Note: Part 10 will face up with the "x" mark on it, otherwise it cannot be tightened

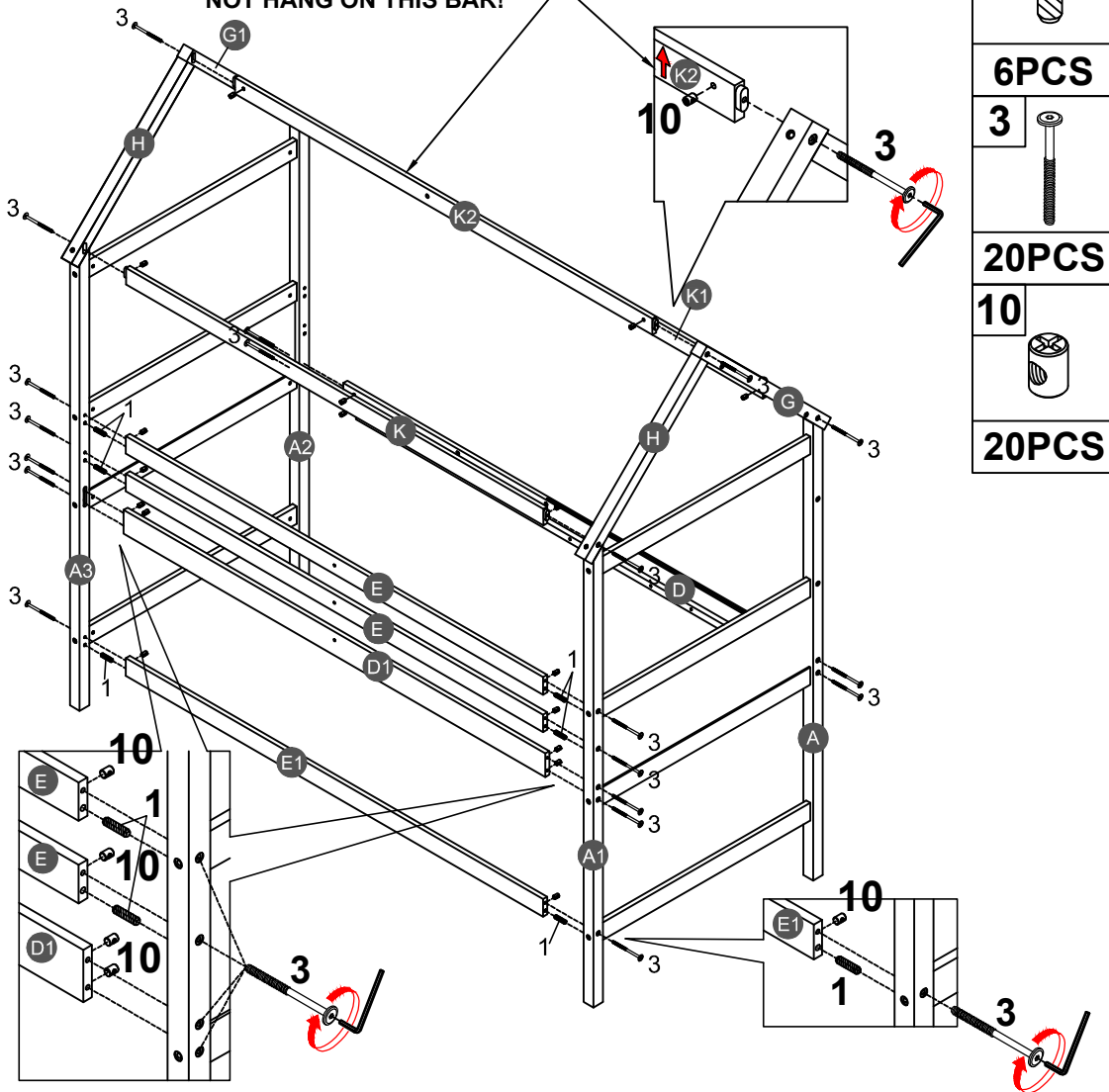
**STEP 5:**



- |             |  |
|-------------|--|
| <b>11</b>   |  |
| <b>2PCS</b> |  |

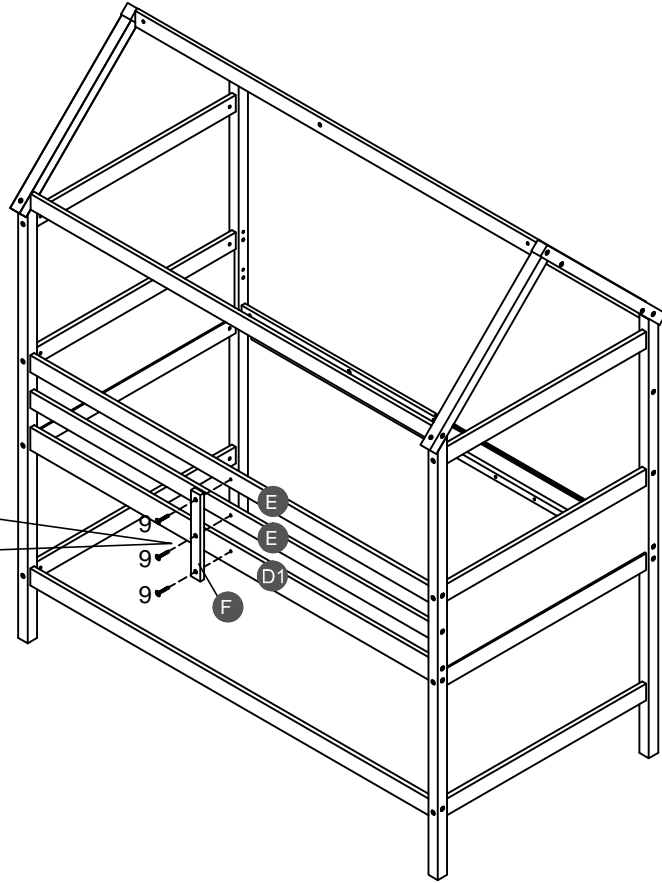
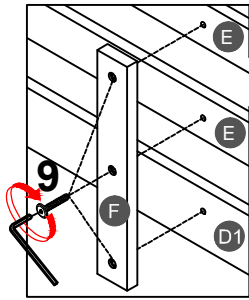
**STEP 6:**

**Remark: Upper horizontal paste stickers WARNING: DO NOT HANG ON THIS BAR!**



- |              |  |
|--------------|--|
| <b>1</b>     |  |
| <b>6PCS</b>  |  |
| <b>3</b>     |  |
| <b>20PCS</b> |  |
| <b>10</b>    |  |
| <b>20PCS</b> |  |

**STEP 7:**

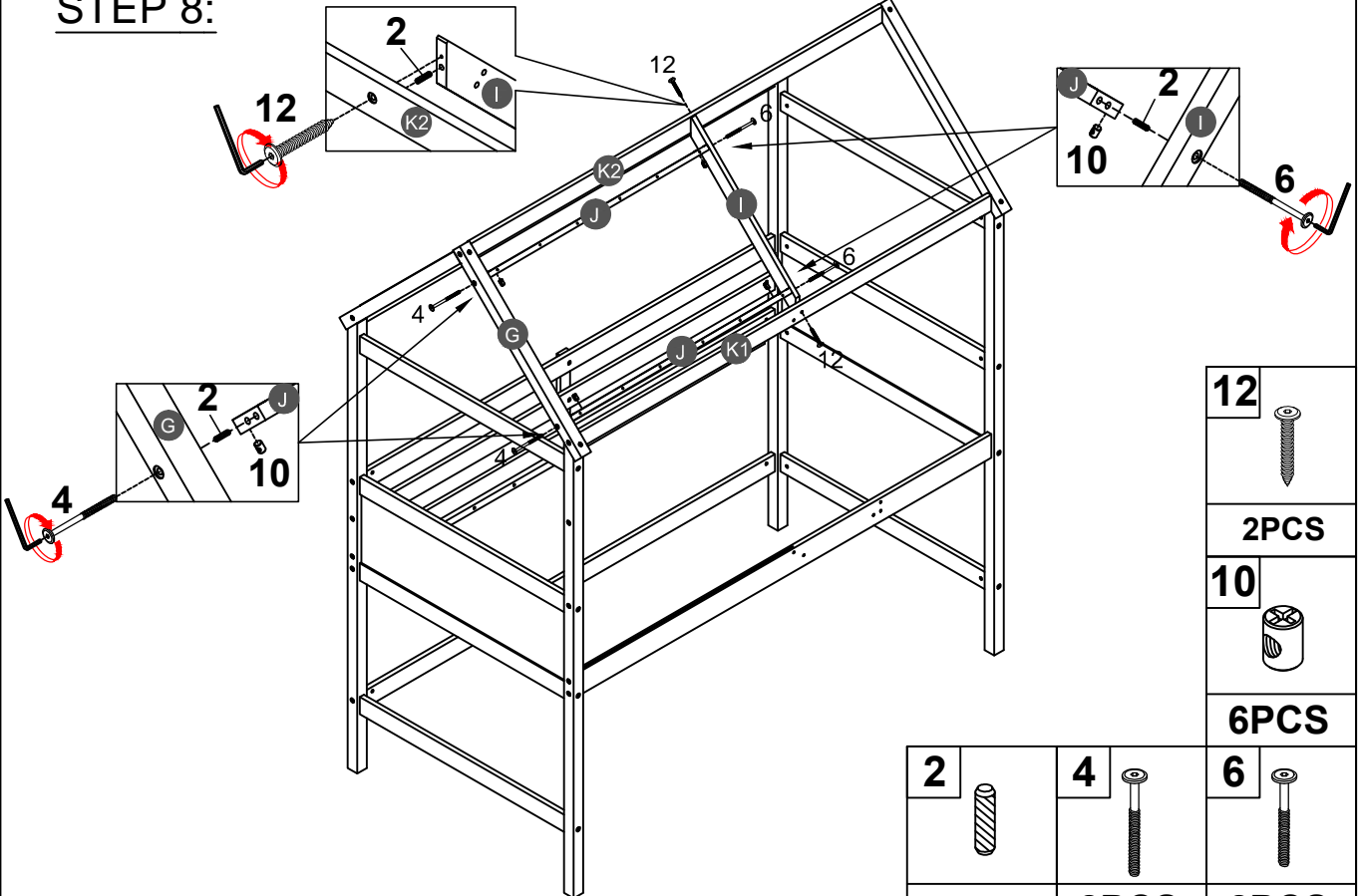


**9**



**3PCS**

**STEP 8:**



**12**



**2PCS**

**10**



**6PCS**

**2**



**6PCS**

**4**



**2PCS**

**6**



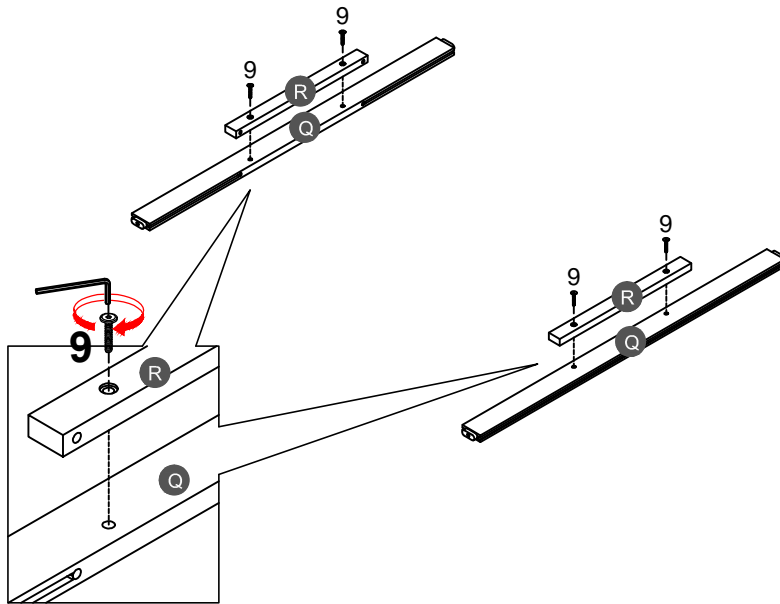
**2PCS**

**STEP 9:**

**9**



**4PCS**

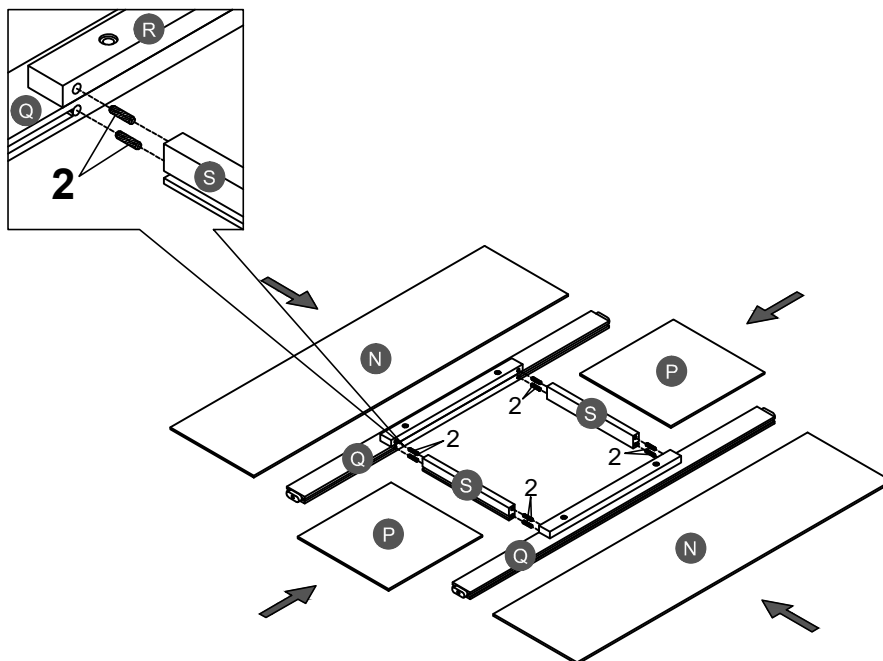


**STEP 10:**

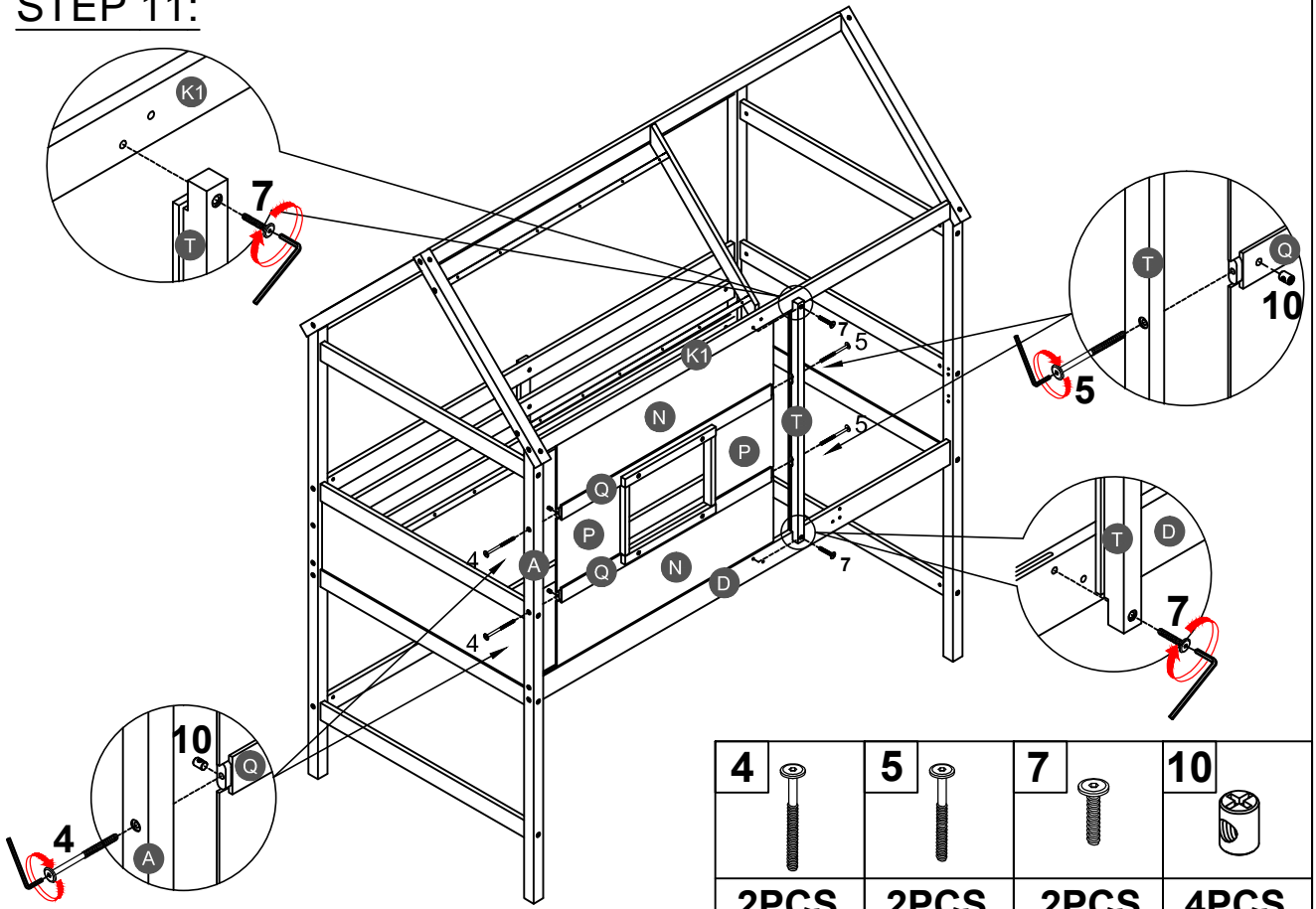
**2**







**8PCS**

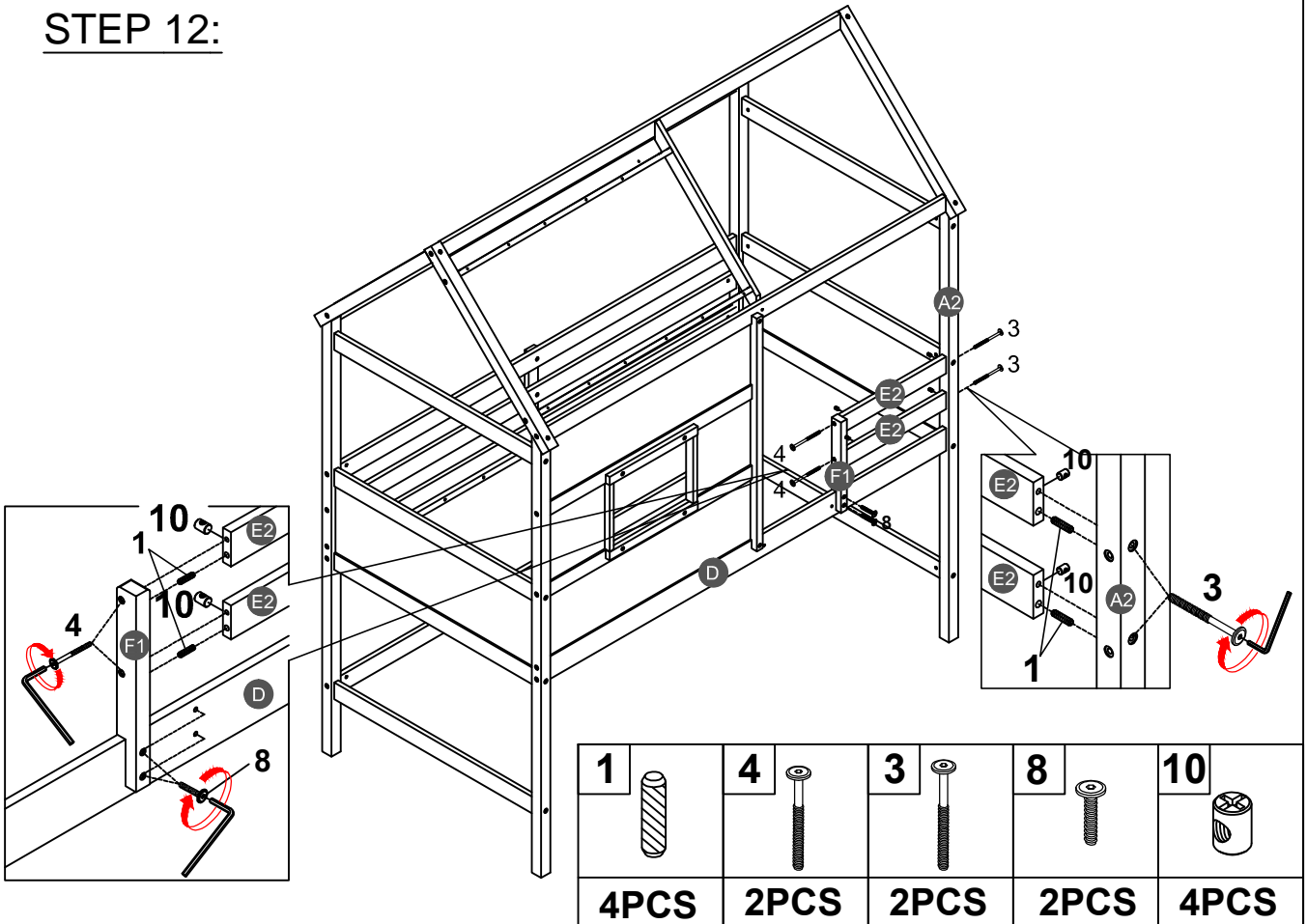







**STEP 11:**



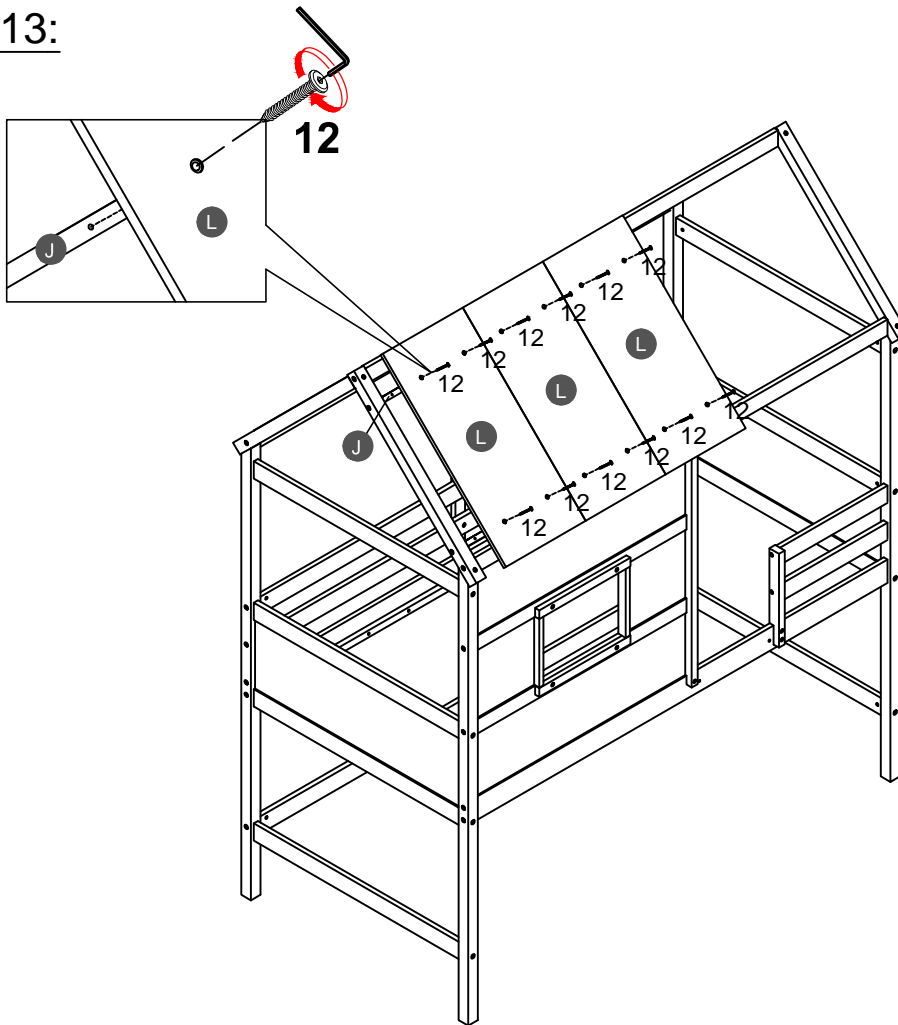
<b>4</b>		<b>5</b>		<b>7</b>		<b>10</b>	
<b>2PCS</b>		<b>2PCS</b>		<b>2PCS</b>		<b>4PCS</b>	


**STEP 12:**



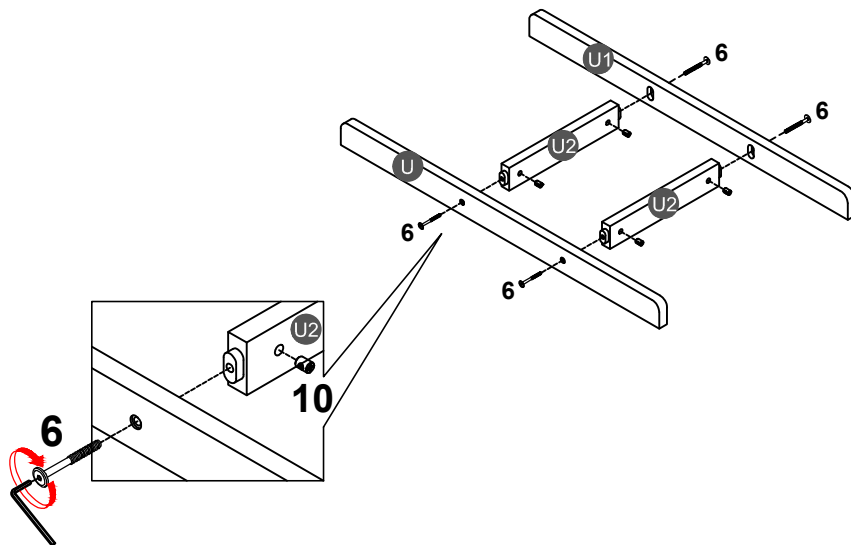
<b>1</b>		<b>4</b>		<b>3</b>		<b>8</b>		<b>10</b>	
<b>4PCS</b>		<b>2PCS</b>		<b>2PCS</b>		<b>2PCS</b>		<b>4PCS</b>	



**STEP 13:**



<b>12</b>	
<b>12PCS</b>	

**STEP 14:**



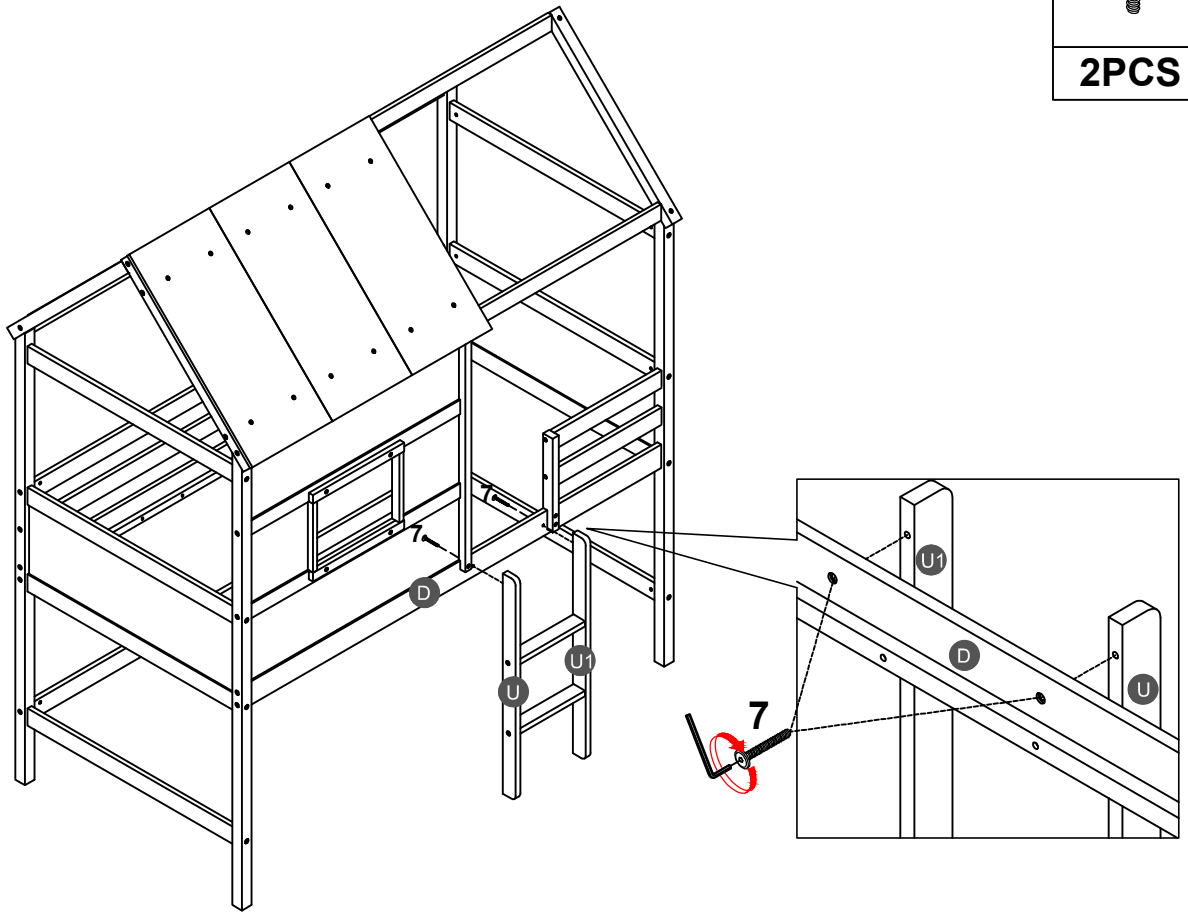
<b>6</b>		<b>10</b>	
<b>4PCS</b>		<b>4PCS</b>	

**STEP 15:**

**7**



**2PCS**



**STEP 16:**

**6**

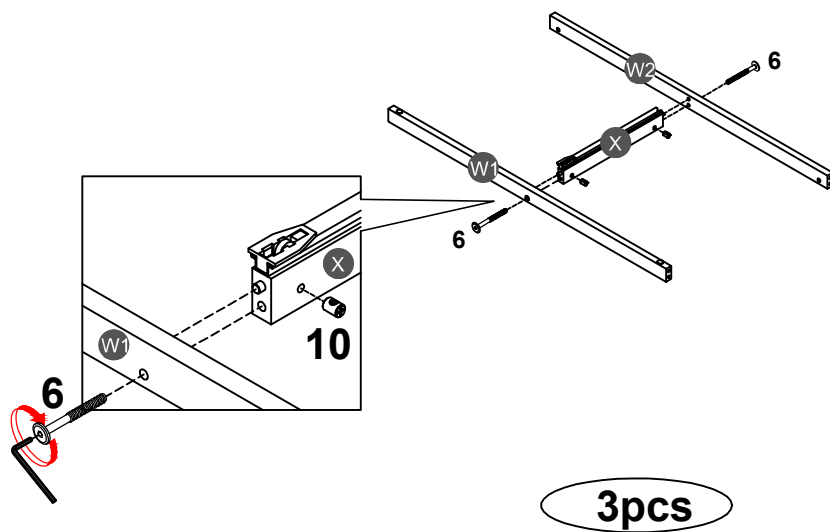


**6PCS**

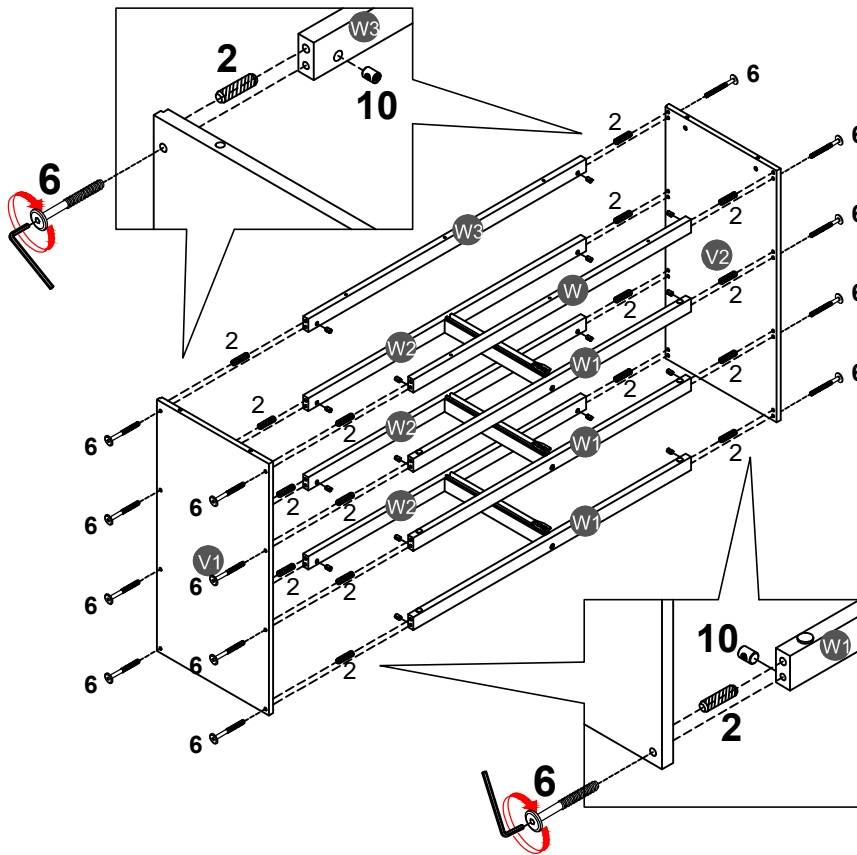
**10**






**6PCS**

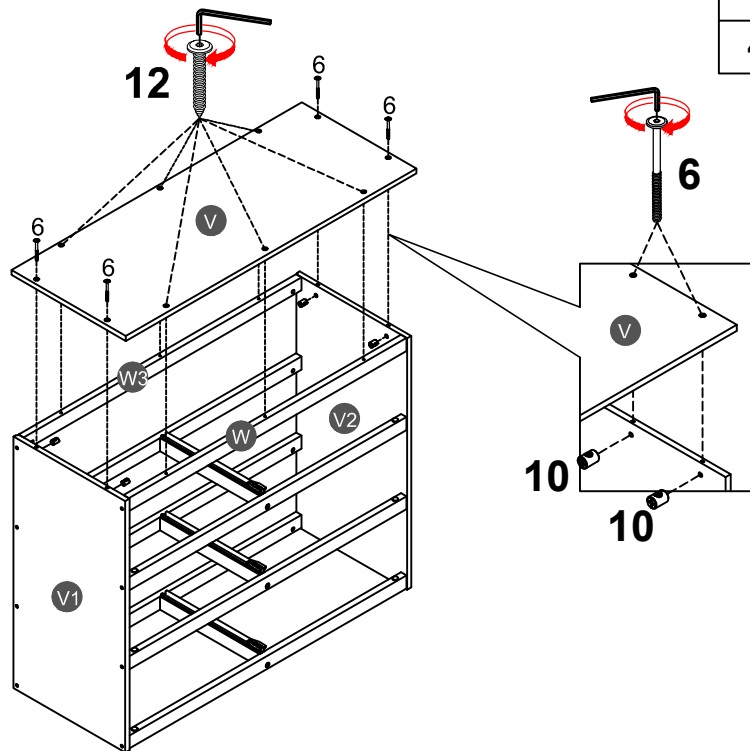





**STEP 17:**






<b>2</b>		<b>6</b>	
<b>16PCS</b>		<b>16PCS</b>	
		<b>10</b>	
		<b>16PCS</b>	

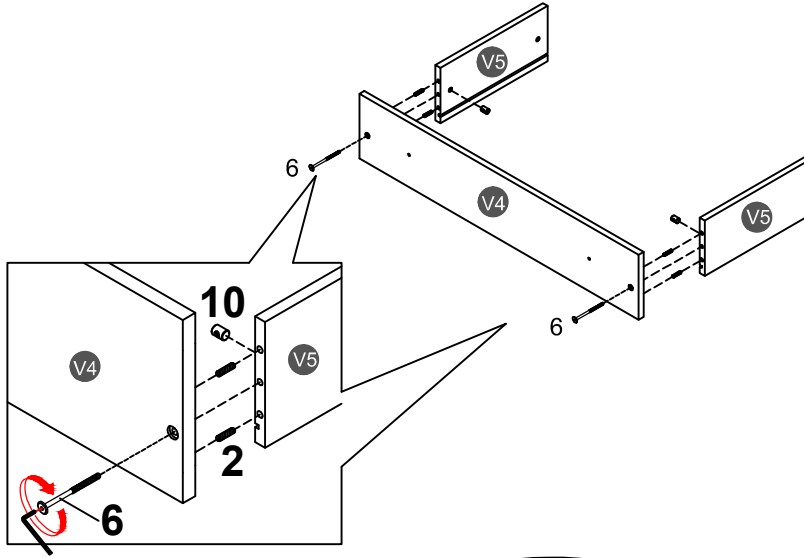
**STEP 18:**



<b>6</b>		<b>10</b>	
<b>4PCS</b>		<b>4PCS</b>	
		<b>12</b>	
		<b>6PCS</b>	




**STEP 19:**

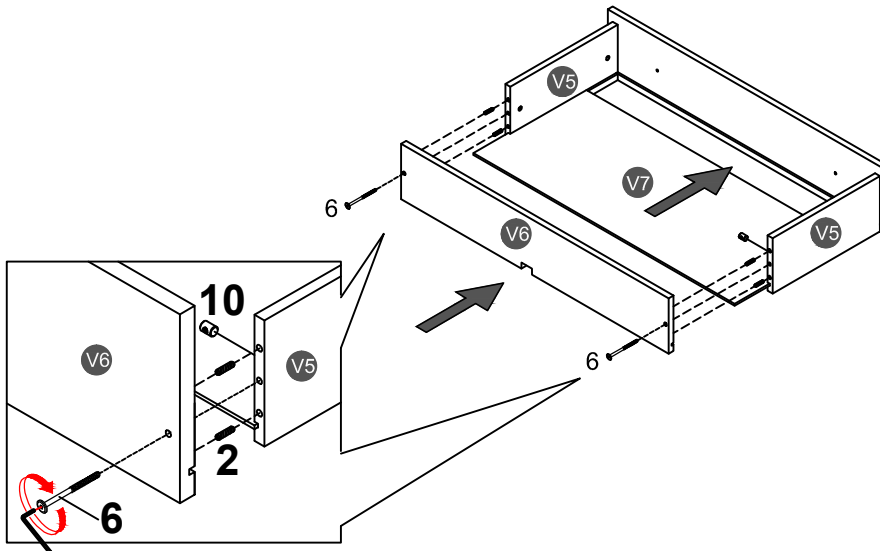
<b>2</b>		<b>6</b>		<b>10</b>	
<b>12PCS</b>		<b>6PCS</b>		<b>6PCS</b>	



**3pcs**



**STEP 20:**

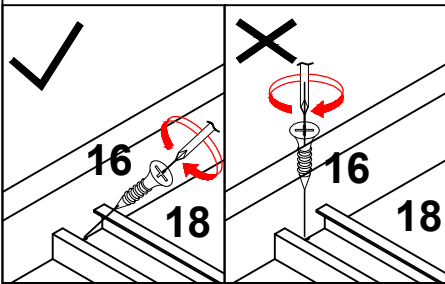
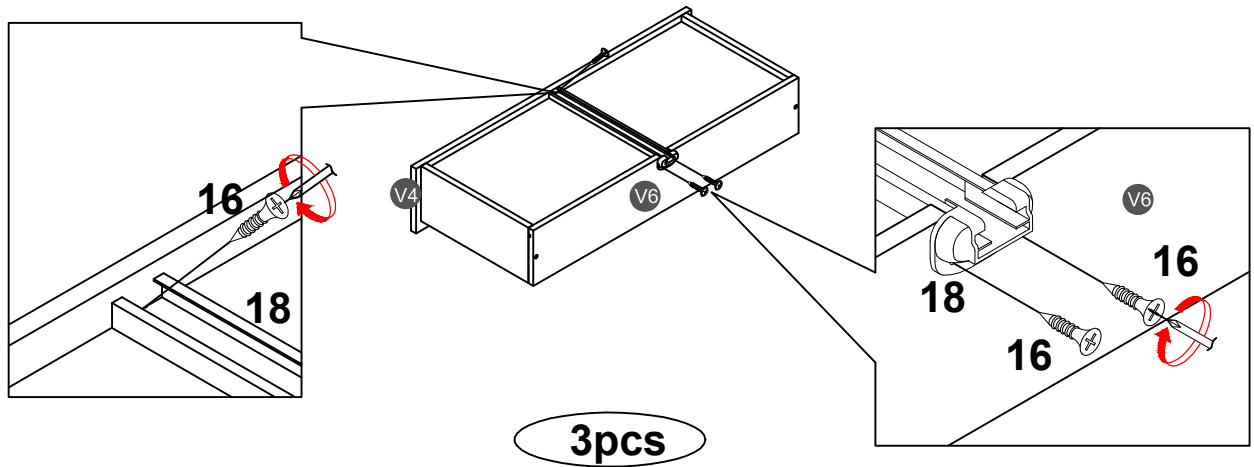
<b>2</b>		<b>6</b>		<b>10</b>	
<b>12PCS</b>		<b>6PCS</b>		<b>6PCS</b>	



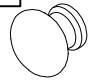

**3pcs**

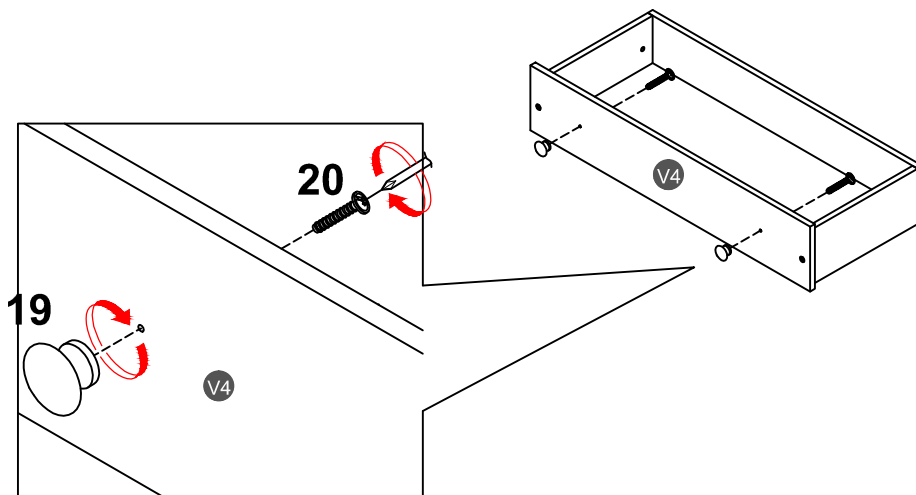
**STEP 21:**

<b>16</b>		<b>18</b>	
<b>9PCS</b>		<b>3PCS</b>	



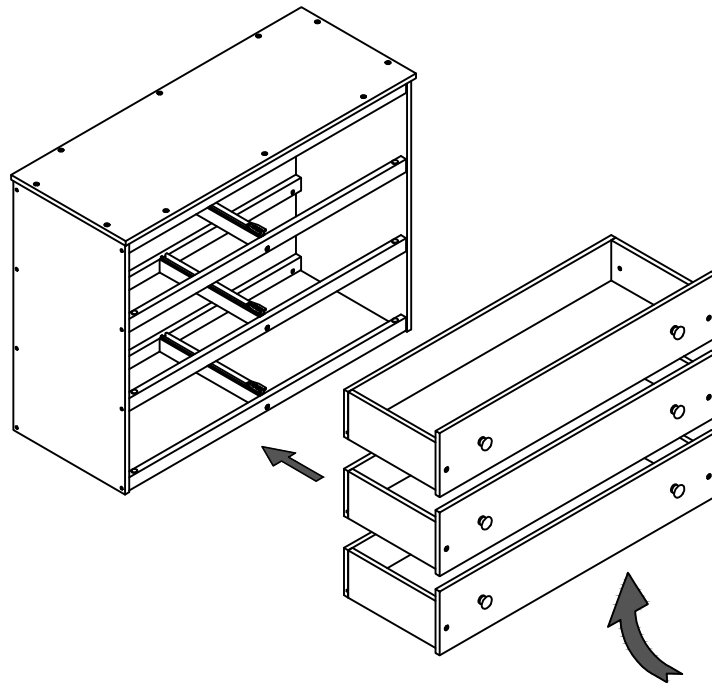
**STEP 22:**

<b>19</b>		<b>20</b>	
<b>6PCS</b>		<b>6PCS</b>	




**3pcs**

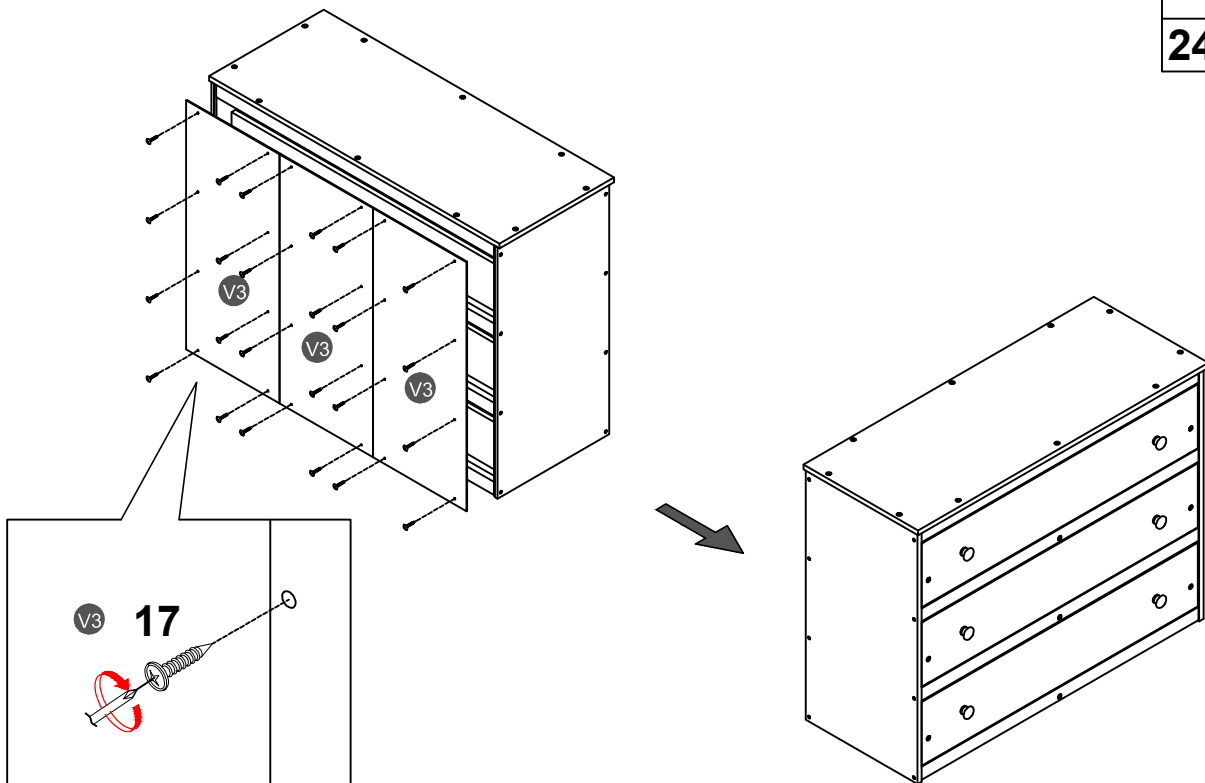
**STEP 23:**



**Remark:** When opening or closing the drawer, Please lift the drawer slightly before opening or closing it.

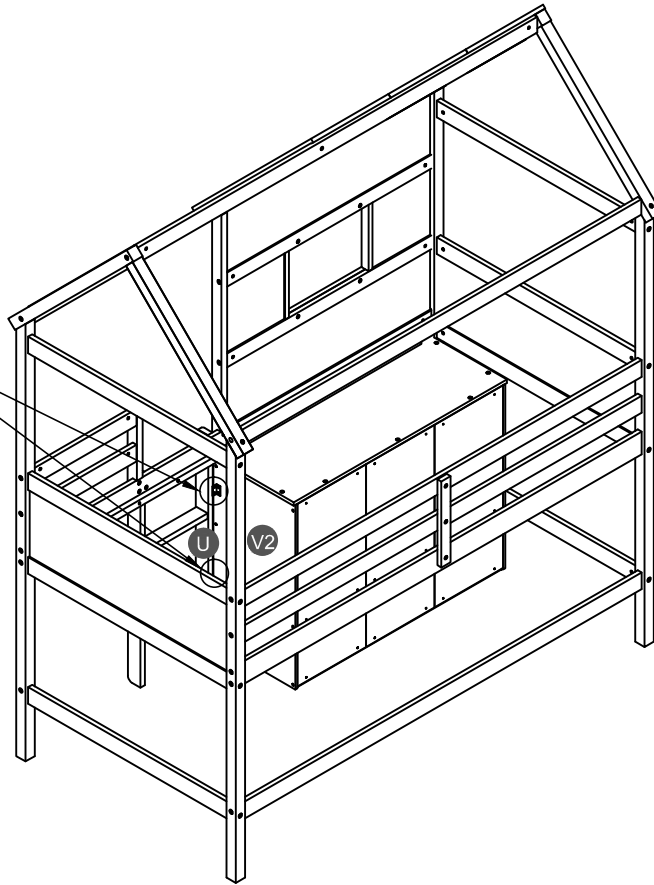
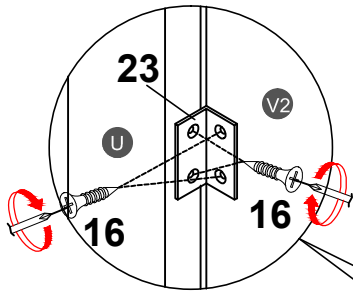
**STEP 24:**


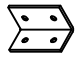
**17**  
  
**24PCS**



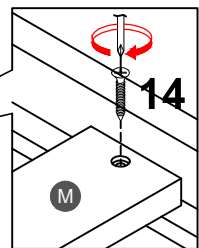
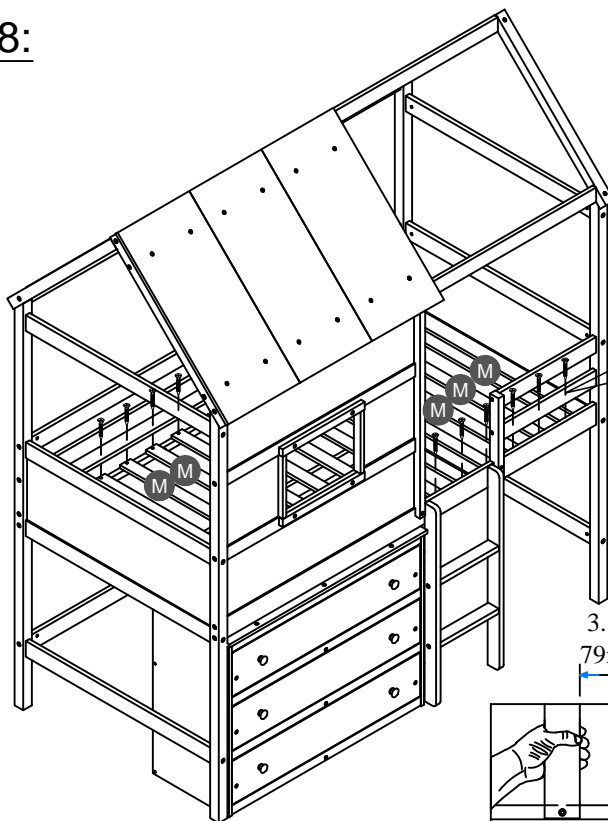


**STEP 27:**

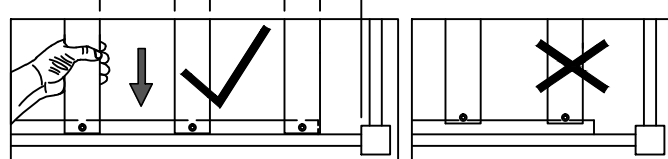



- 16**  

- 8PCS**
- 23**  

- 2PCS**

**STEP 28:**




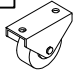
3.1 " 79mm    3.3 " 84.5mm    2.4 " 61mm

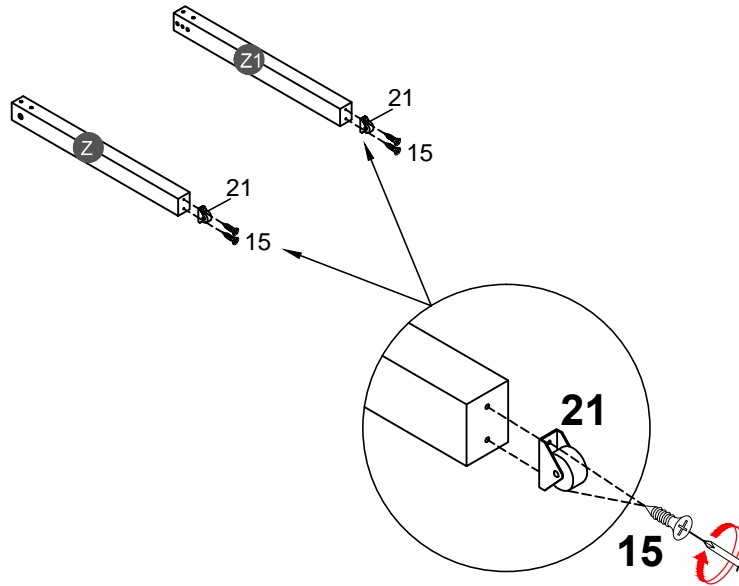


- 14**  

- 28PCS**




Note: Do not lock the screws of the bed slats to the outermost edge of the bed slats, you need to leave a certain space at the edges, otherwise it will cause the board to break. Do not lock the bed slats on the edge of the wood, please hold firmly before screwing, hold it in place with one hand, then lock the screw.

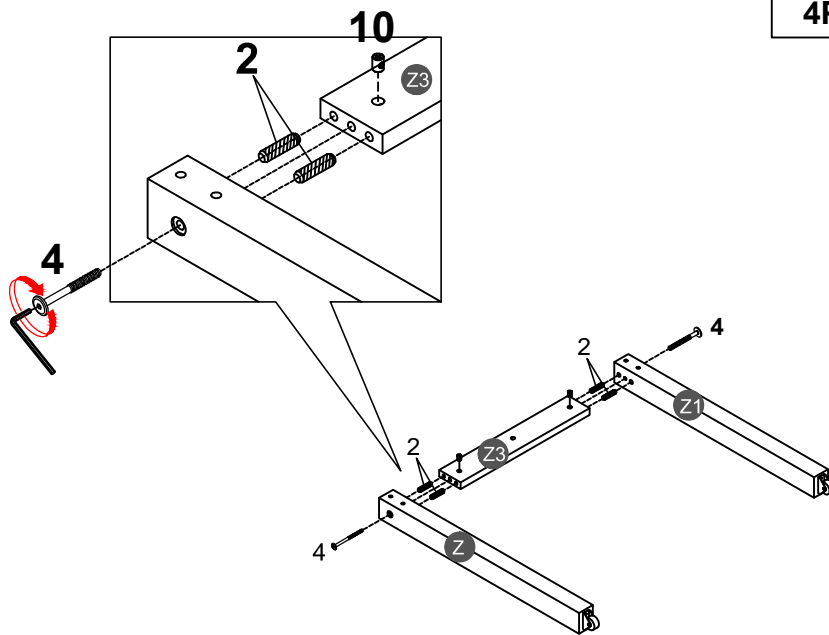
**STEP 29:**

<b>15</b>		<b>21</b>	
<b>4PCS</b>		<b>2PCS</b>	

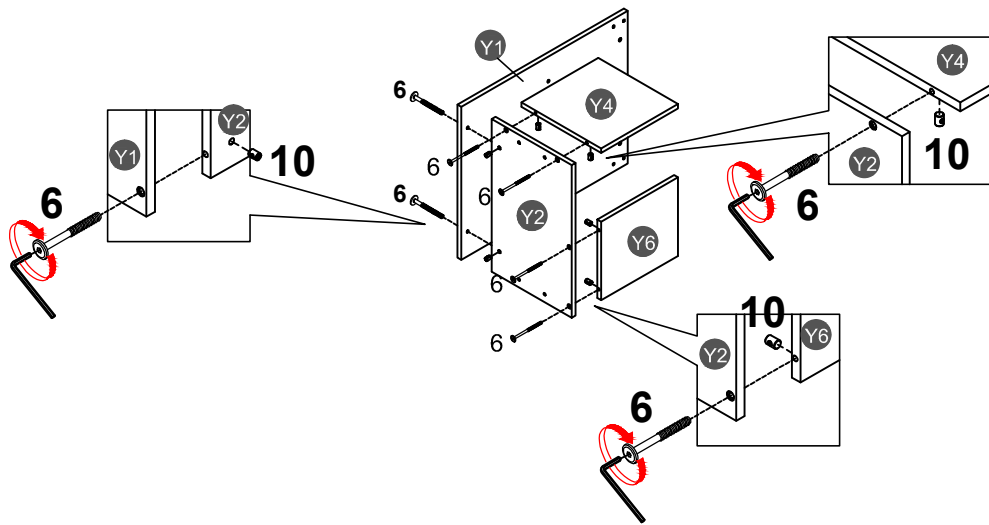


**STEP 30:**

<b>2</b>		<b>4</b>		<b>10</b>	
<b>4PCS</b>		<b>2PCS</b>		<b>2PCS</b>	

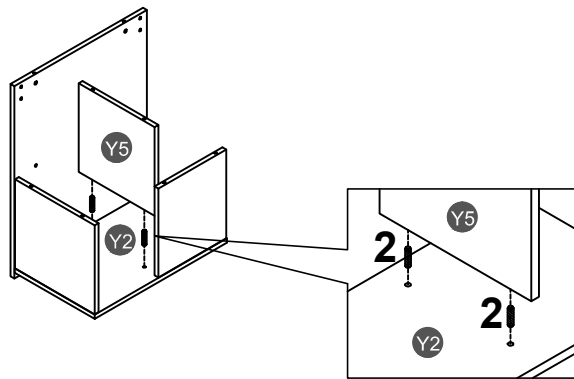


**STEP 31:**



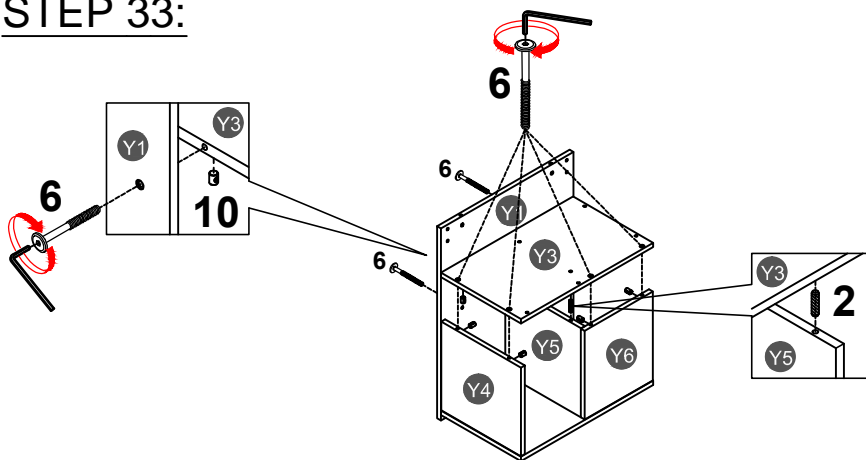
<b>6</b>	
<b>6PCS</b>	
<b>10</b>	
<b>6PCS</b>	

**STEP 32:**




<b>2</b>	
<b>2PCS</b>	

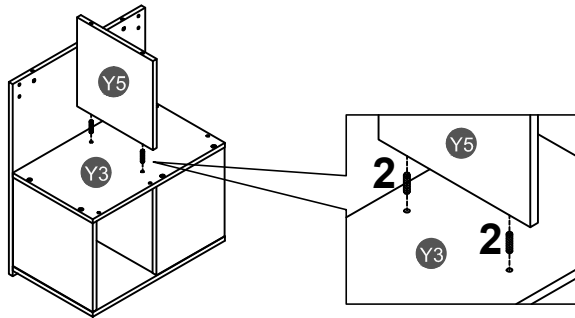
**STEP 33:**





<b>2</b>		<b>6</b>	
<b>2PCS</b>		<b>6PCS</b>	
		<b>10</b>	
		<b>6PCS</b>	

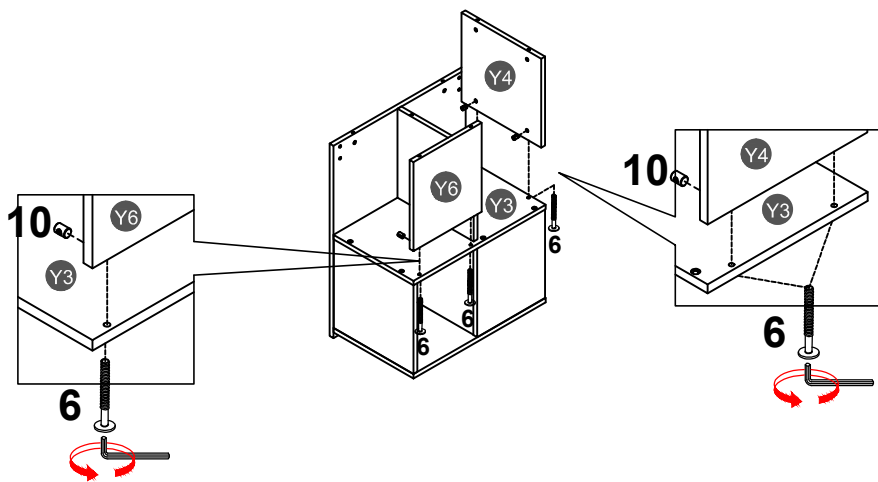
STEP 34:

<b>2</b>	
<b>2PCS</b>	


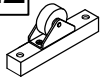


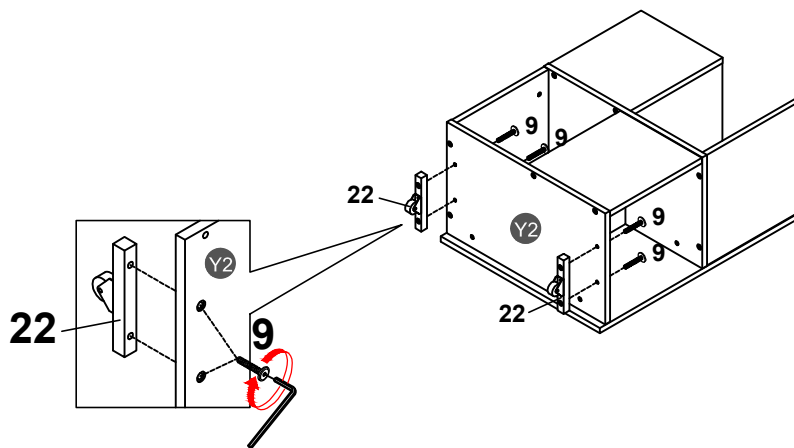
STEP 35:

<b>6</b>	
<b>4PCS</b>	
<b>10</b>	
<b>4PCS</b>	






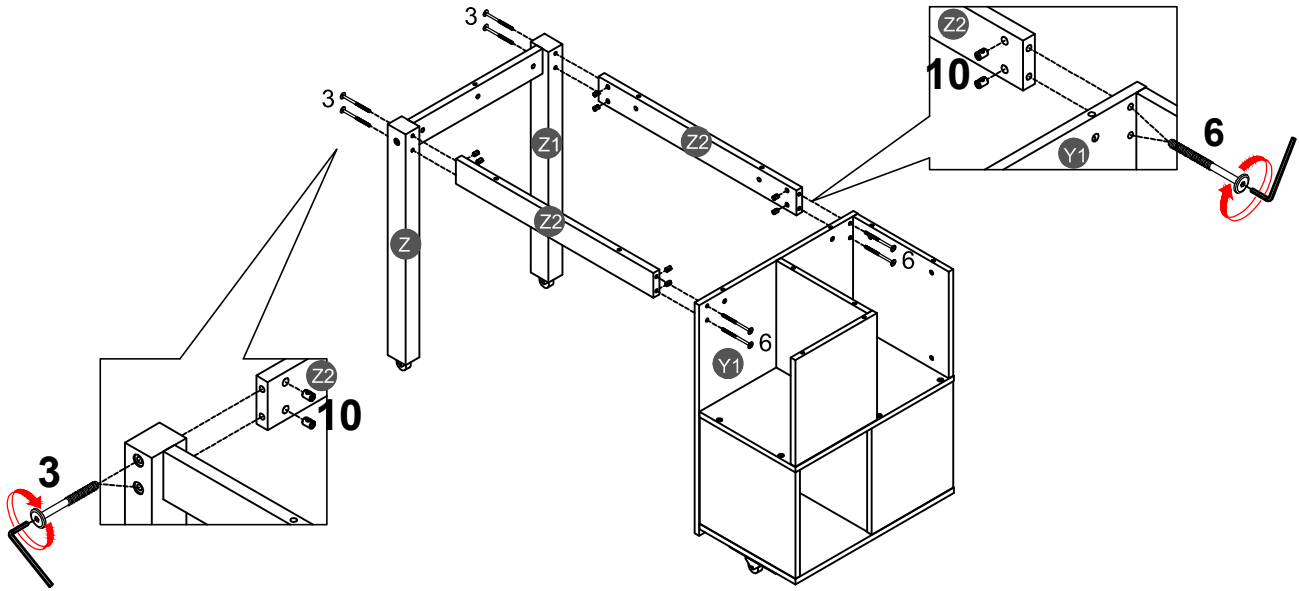
STEP 36:

<b>9</b>		<b>22</b>	
<b>4PCS</b>		<b>2PCS</b>	






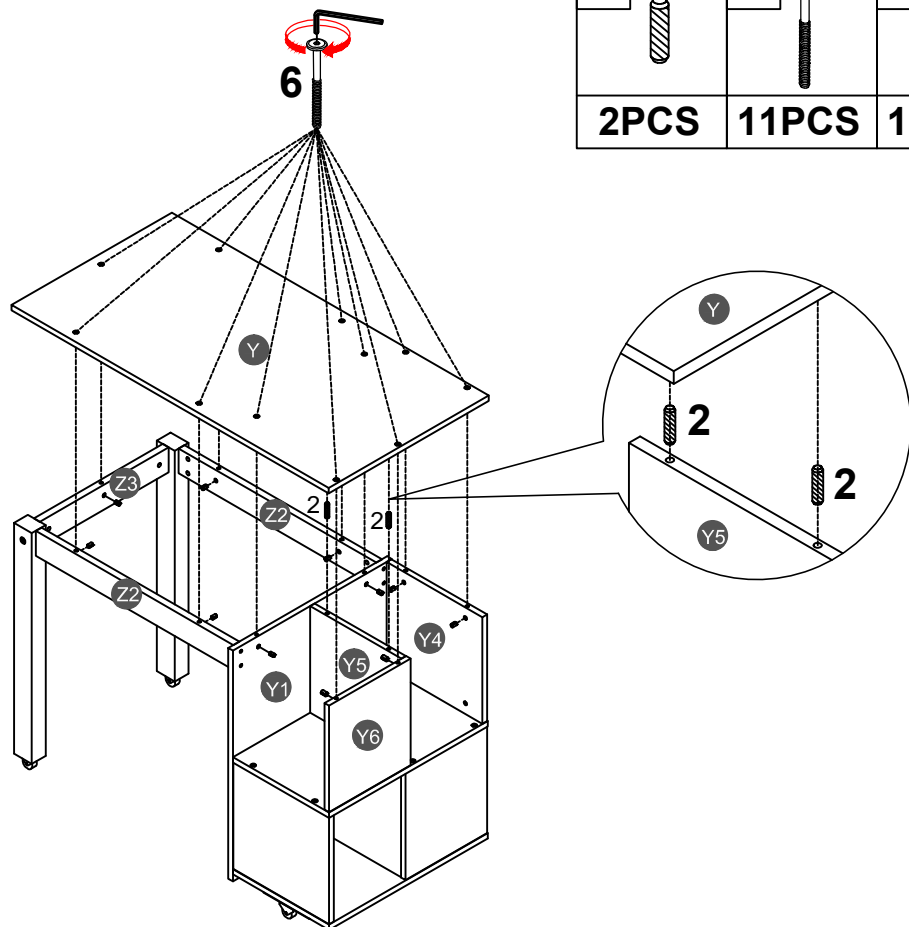
**STEP 37:**

<b>3</b>		<b>6</b>		<b>10</b>	
<b>4PCS</b>		<b>4PCS</b>		<b>8PCS</b>	

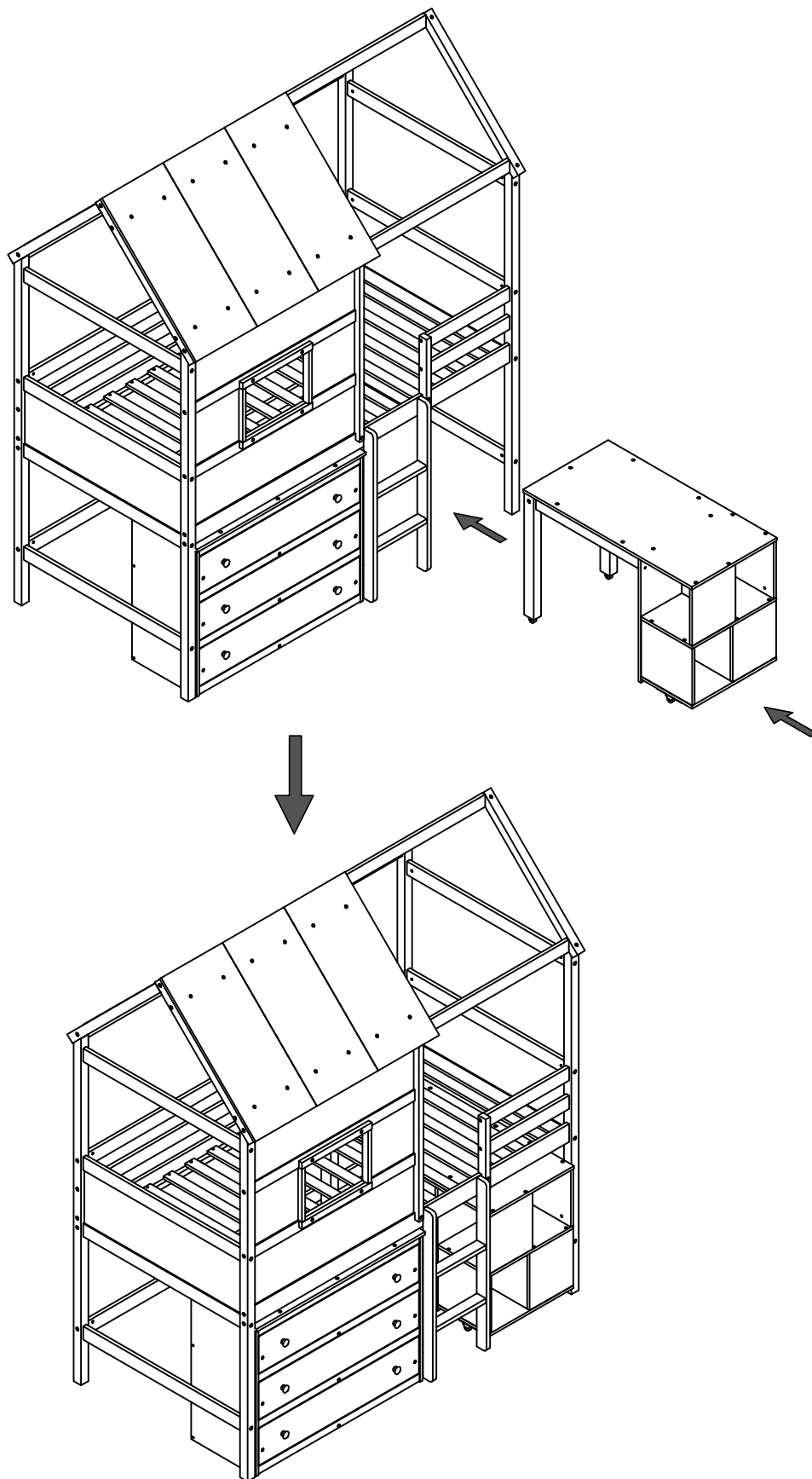


**STEP 38:**

<b>2</b>		<b>6</b>		<b>10</b>	
<b>2PCS</b>		<b>11PCS</b>		<b>11PCS</b>	



**STEP 39:**



**Make sure to tighten all the screws of the bed.**