

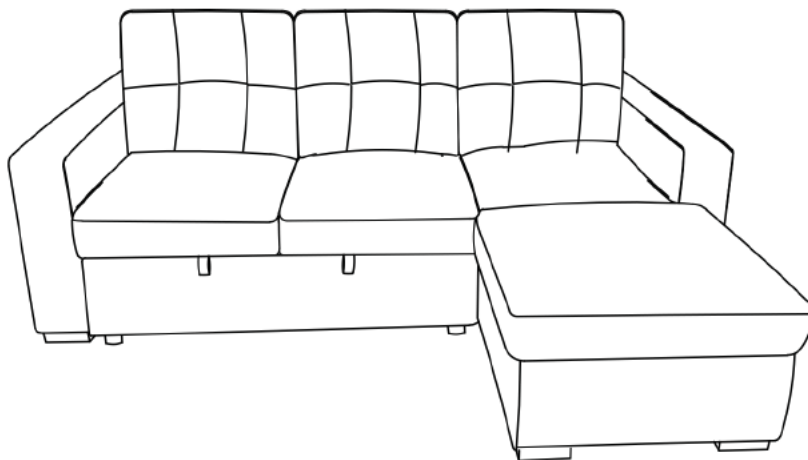
ASSEMBLY INSTRUCTIONS

TOOLS REQUIRED



Phillips
Screwdriver

(Not Included)



2 - Persons
Recommended

ASSEMBLY RATING



EASY ————— DIFFICULT

The Assembly Rating is a 5-point system showing the level of effort needed to assemble a specific product.



CHECK BEFORE STARTING



Are you missing anything?

Double-check all parts, hardware and accessories listed on Page 6 are accounted for.



Check out our Quick Tips!

We recommend reviewing the pre-assembly handouts. Even experts need a refresher now and then!

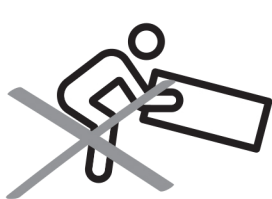


Prep Time!

Please review the assembly instructions and all diagrams prior to assembling. Arrange parts as recommended on Page 7 and group identical hardware together to make assembling easier.

PRE ASSEMBLY INTRODUCTION

We understand building ready-to-assemble furniture can be a challenging experience for some. To help avoid confusion, we have provided some helpful tips that may speed up the process.



Teamwork

ALWAYS have at least two people to help with transporting and assembling the product to avoid potential injury and/or damage.



Suitable Location

Assembling near the area of the intended location is highly recommended.



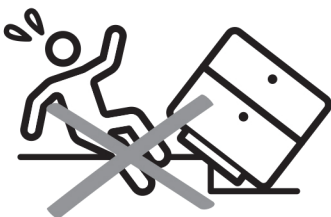
Sufficient Space

Make sure you have enough space to move around during the assembly.



Avoid Scratches

Use cardboard, blankets or a carpeted area while assembling furniture to prevent scratches.



Flat Surface

Make sure the furniture rests on a flat and level surface with each leg evenly touching the floor.

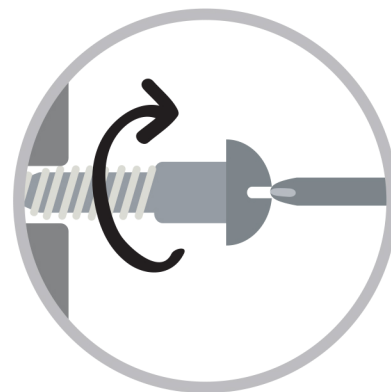
ASSEMBLY AND CARE ADVICE



**FAILURE TO FOLLOW THE GUIDELINES BELOW MAY
RESULT IN INJURY AND/OR PROPERTY DAMAGE.**



Position each part correctly
and insert screws or bolts into
their respective holes.



Turn clockwise to tighten and
only tighten when step is
completed or when instructed
to do so.



Use the appropriate hand tools
or power tools for assembly.
Select steps, such as tightening
screws and/or bolts, may require
hand tools to avoid causing
damage during assembly.



Save the instructions and store
any supplied tools for later
maintenance.



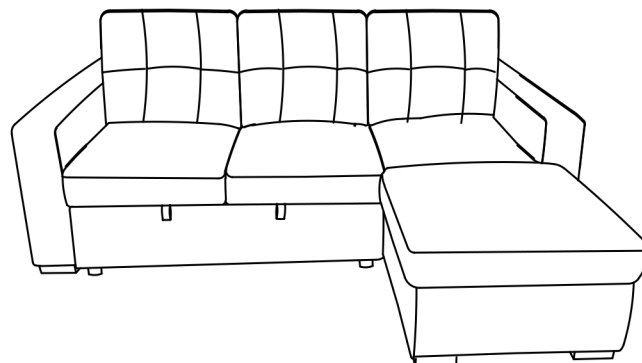
After two weeks, check and
tighten any loose hardware and
repeat again every six months
thereafter.

IT IS THE USER'S RESPONSIBILITY TO MAINTAIN THE FURNITURE. THE HARDWARE MAY LOOSEN OVER TIME AND MAY CAUSE THE FURNITURE TO BE WOBBLY AND UNABLE TO SUPPORT ITS INTENDED WEIGHT CAPACITY. THIS MAY LEAD TO COLLAPSE AND MAY CAUSE SERIOUS INJURY.

SOFA

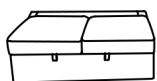


- Please keep instructions for future reference.
- Check the quantity and irregularity of parts and hardware before you start.



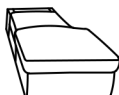
PARTS

#1 x 1pc



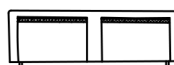
Loveseat

#2 x 1pc



Chaise Seat

#3 x 1pc



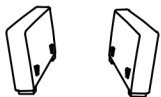
Loveseat Backrest

#4 x 1pc



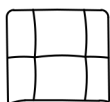
Chaise Backrest

#5 x 2pcs



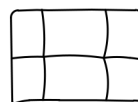
Arm (L&R)

#6 x 2pcs



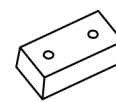
Loveseat Cushion

#7 x 1pc



Chaise Cushion

#8 x 2pcs



Leg A

#9 x 2pcs



Leg B

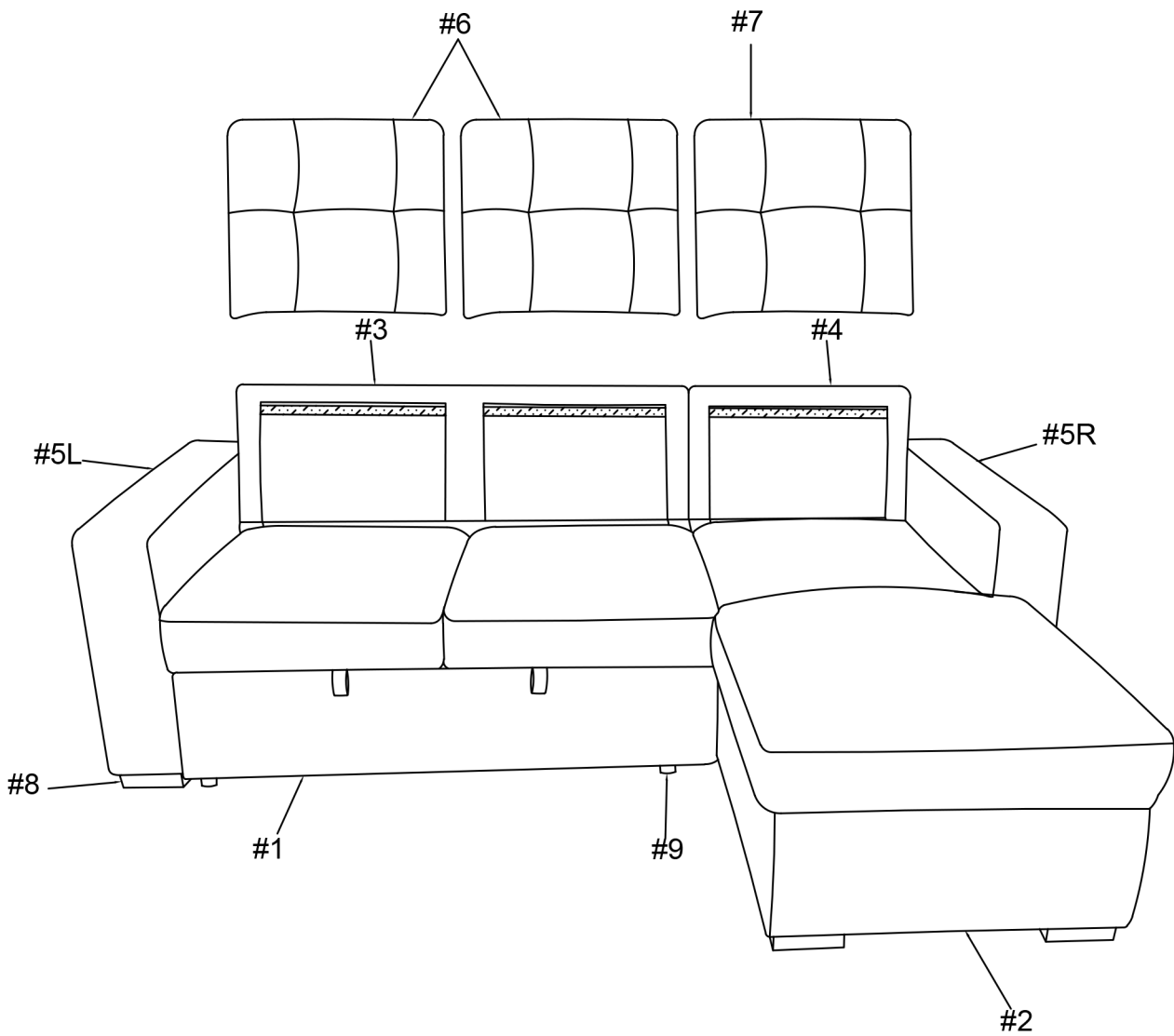
HARDWARE

#A x 6pcs



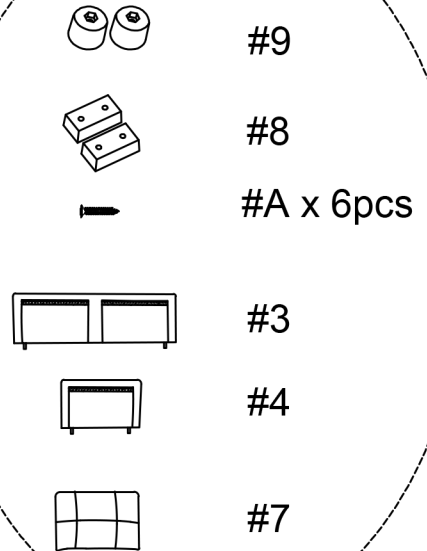
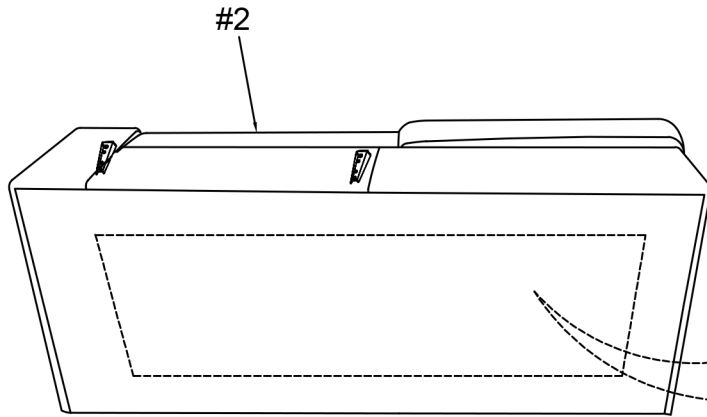
Screw #8 x 45mm

Exploded View



ASSEMBLY INSTRUCTIONS

1

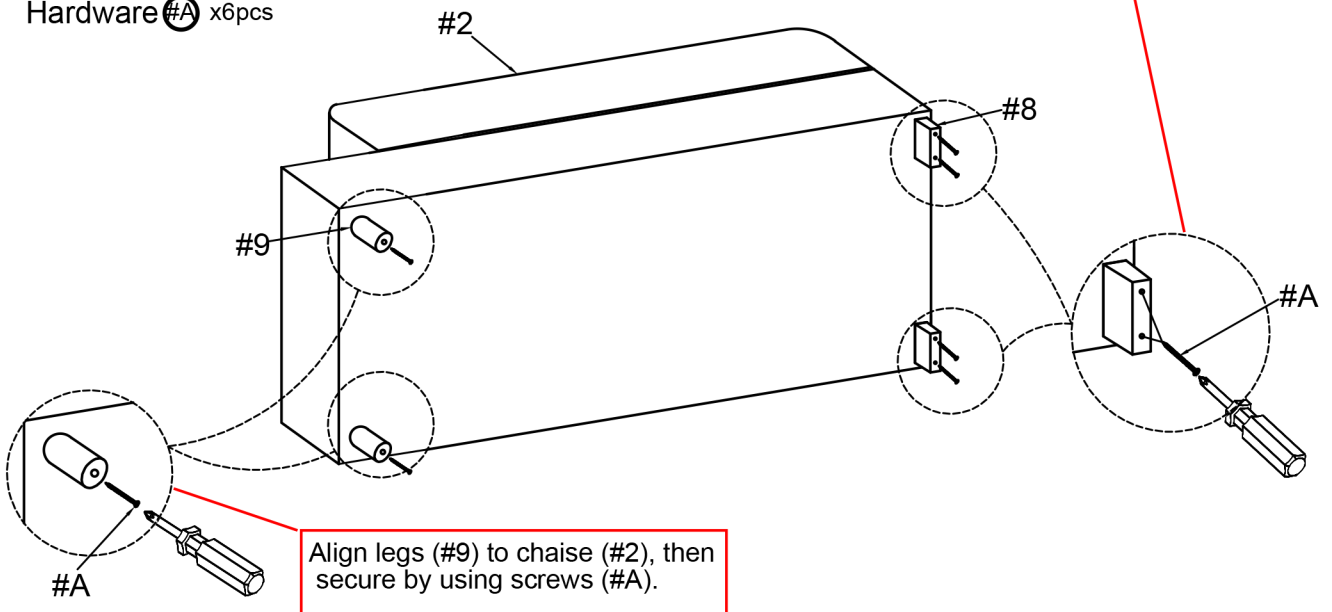


Remove parts from the bottom compartment of the chaise seat (#2).

2

- Part #2 x1pc
- Part #8 x2pcs
- Part #9 x2pcs
- Hardware #A x6pcs

Align legs (#8) to the chaise (#2), then secure by using screws (#A).



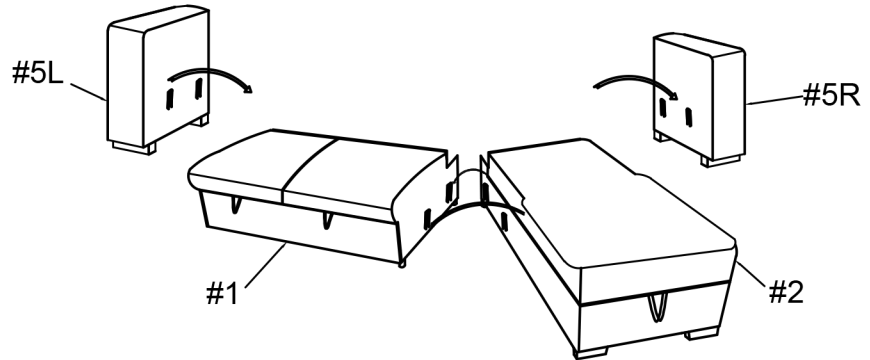
Align legs (#9) to chaise (#2), then secure by using screws (#A).

ASSEMBLY INSTRUCTIONS

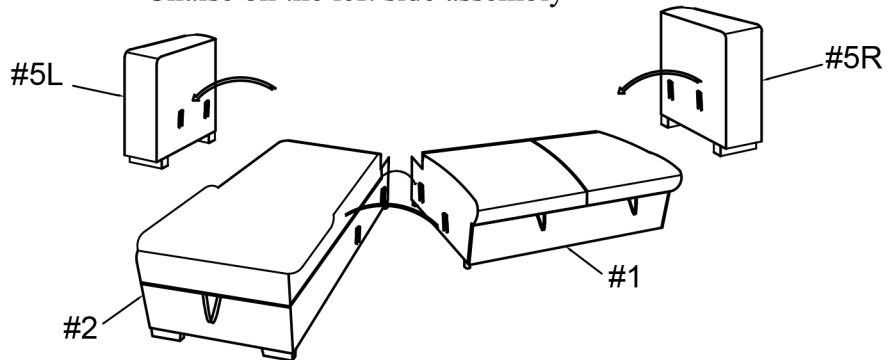
3

Chaise on the right side assembly

Part #5 x2pcs



Chaise on the left side assembly

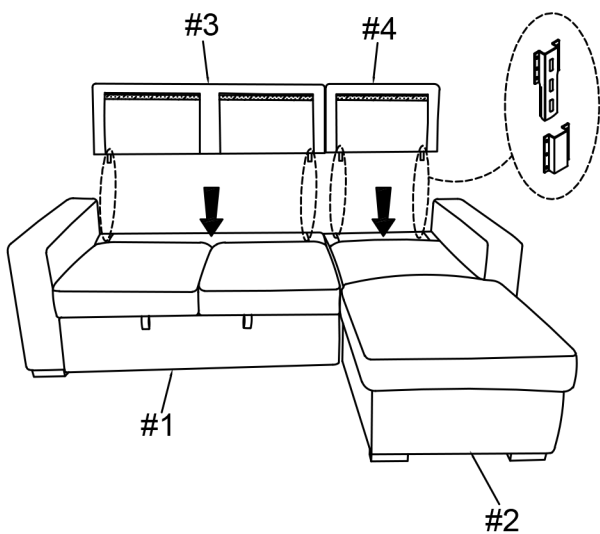


4

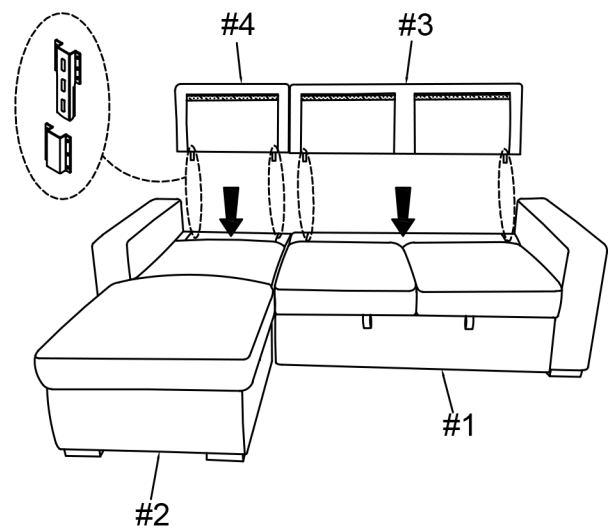
Part #3 x1pc

Part #4 x1pc

Sofa on the left side assembly



Sofa on the right side assembly



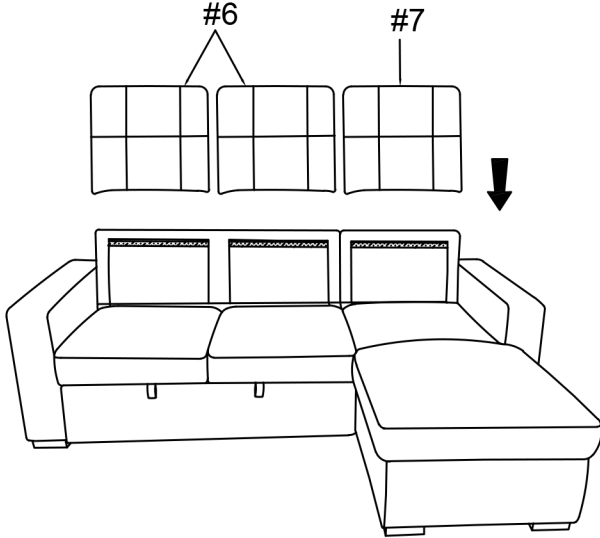
ASSEMBLY INSTRUCTIONS

5

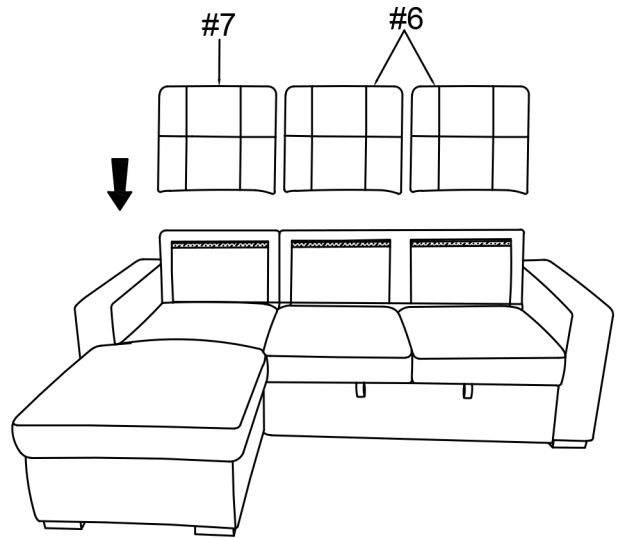
Part #6 x2pcs

Part #7 x1pc

Sofa on the left side assembly

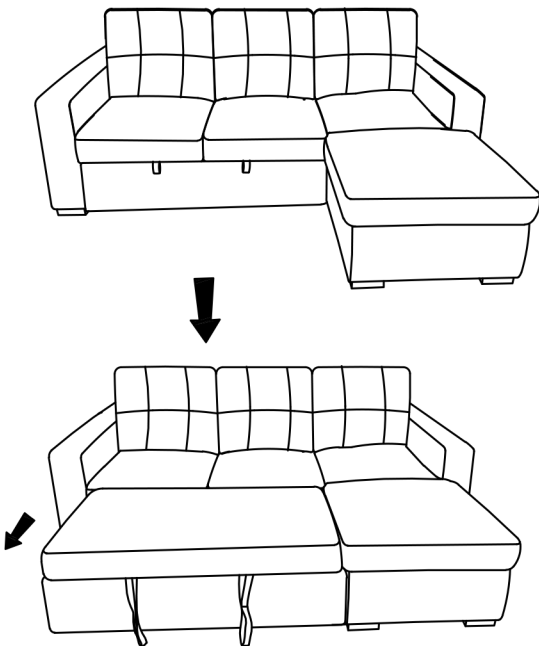


Sofa on the right side assembly

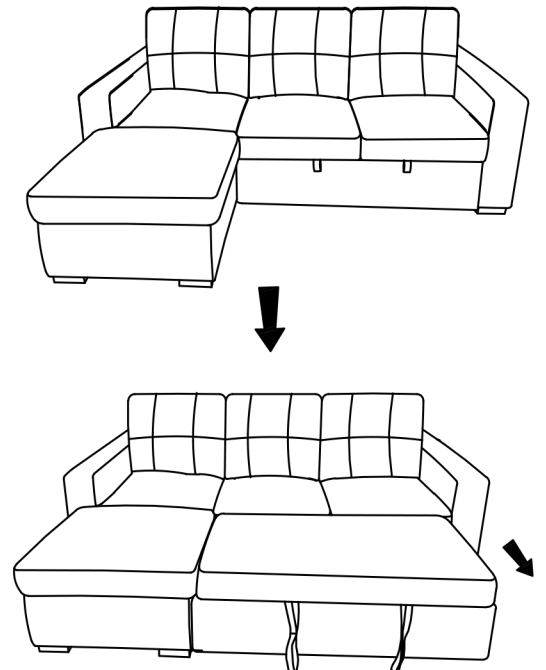


6

Sofa on the left side assembly



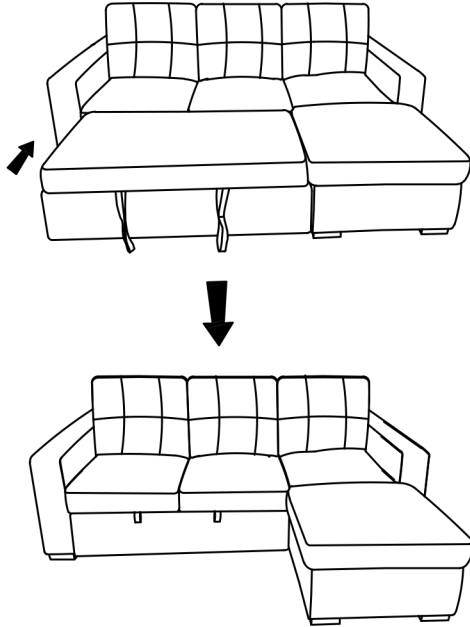
Sofa on the right side assembly



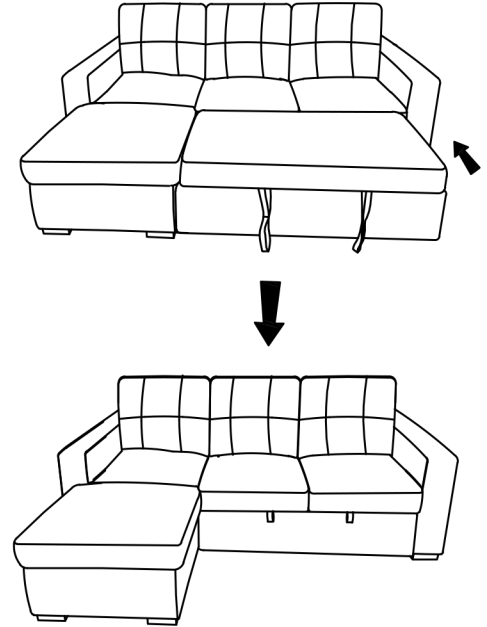
ASSEMBLY INSTRUCTIONS

7

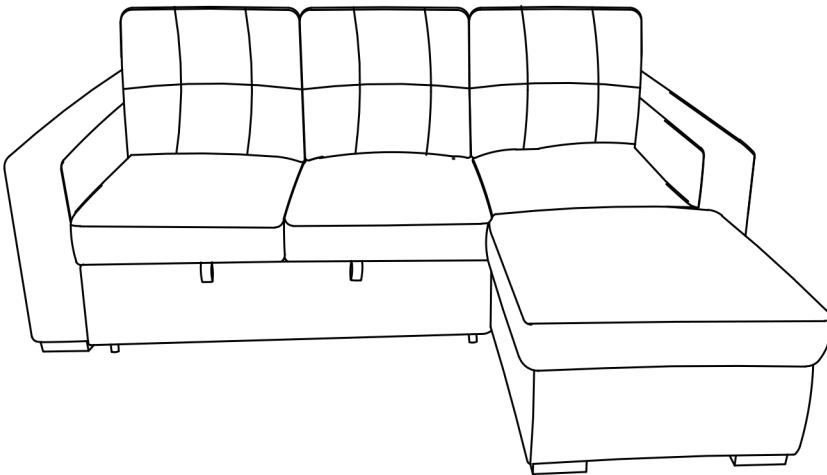
Sofa on the left side assembly



Sofa on the right side assembly



8



**ASSEMBLY
COMPLETED**



Please ensure the furniture rests on an even and flat surface. If the product wobbles or feels loose, double-check all bolts and/or screws are properly tightened and secured.



Keep this handy!

Please retain this instruction manual and any order-related information for future reference.